

US00D836469S

(12) **United States Design Patent**
Kim et al.

(10) **Patent No.:** **US D836,469 S**

(45) **Date of Patent:** **** Dec. 25, 2018**

(54) **SHOE SIZE MEASURING DEVICE**

(71) Applicant: **Samsung Electronics Co., Ltd.**,
Suwon-si (KR)

(72) Inventors: **Joohyung Kim**, Seoul (KR); **Jinbeom Hong**, Seoul (KR); **Joonghun Kwon**, Seoul (KR); **Seunghwan Suh**, Yongin-si (KR); **Jawoong Yoon**, Seoul (KR)

(73) Assignee: **SAMSUNG ELECTRONICS CO., LTD.**, Suwon-si (KR)

(**) Term: **15 Years**

(21) Appl. No.: **29/596,300**

(22) Filed: **Mar. 7, 2017**

(30) **Foreign Application Priority Data**

Nov. 21, 2016 (KR) 30-2016-0055851

(51) **LOC (11) Cl.** **10-04**

(52) **U.S. Cl.**
USPC **D10/65; D10/70**

(58) **Field of Classification Search**
USPC D10/46, 65, 70
CPC . A43D 1/00; A43D 1/02; A43D 1/022; A43D 1/025; A43D 1/027; A43D 1/04; A43D 1/06; A43D 1/08; A61B 5/107; A61B 5/1071; A61B 5/1072; A61B 5/10713; A61B 5/1074; A61B 5/1075; A61B 5/1076; A61B 5/1077; A61B 5/1078; A61B 5/1079

See application file for complete search history.

(56) **References Cited**

U.S. PATENT DOCUMENTS

D266,552 S * 10/1982 Bidegain D10/70
D509,153 S 9/2005 Moreno et al.
D561,934 S 2/2008 Miller et al.
9,848,675 B2 * 12/2017 Le Goallec A43B 5/14

FOREIGN PATENT DOCUMENTS

EM 000180773-0002 9/2004
EM 002469627-0004 6/2014
KR 30-0727602 2/2014

* cited by examiner

Primary Examiner — Antoine Duval Davis

(74) *Attorney, Agent, or Firm* — McAndrews Held & Malloy, Ltd.

(57) **CLAIM**

The ornamental design for a shoe size measuring device, as shown and described.

DESCRIPTION

FIG. 1 is a front perspective view of a shoe size measuring device showing our new design;
FIG. 2 is a front view thereof;
FIG. 3 is a rear view thereof;
FIG. 4 is a left-side view thereof;
FIG. 5 is a right-side view thereof;
FIG. 6 is a top view thereof;
FIG. 7 is a bottom view thereof; and,
FIG. 8 is a rear perspective view thereof.

The dashed broken lines in the drawings represent portions of the shoe size measuring device that form no part of the claimed design.

1 Claim, 8 Drawing Sheets

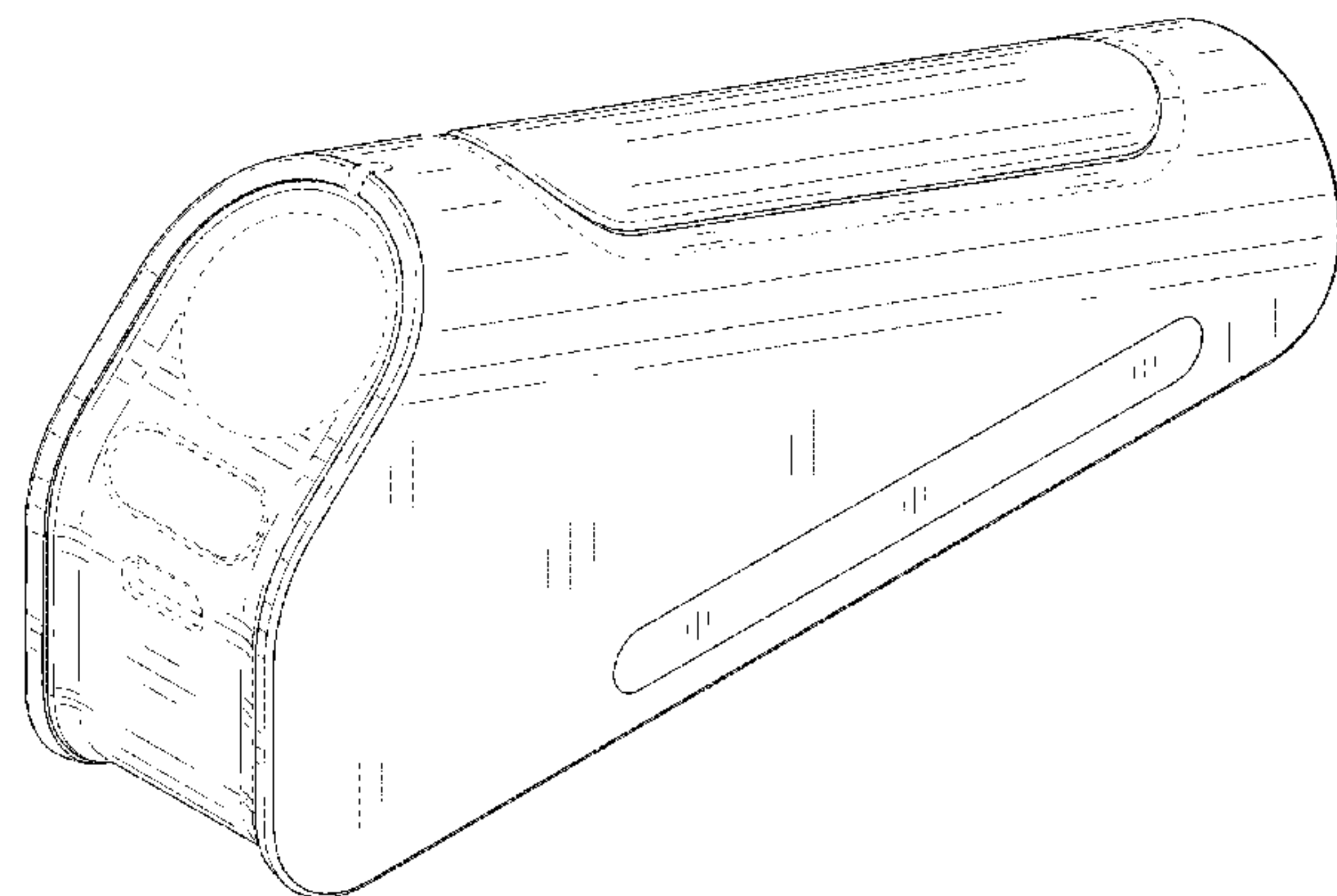
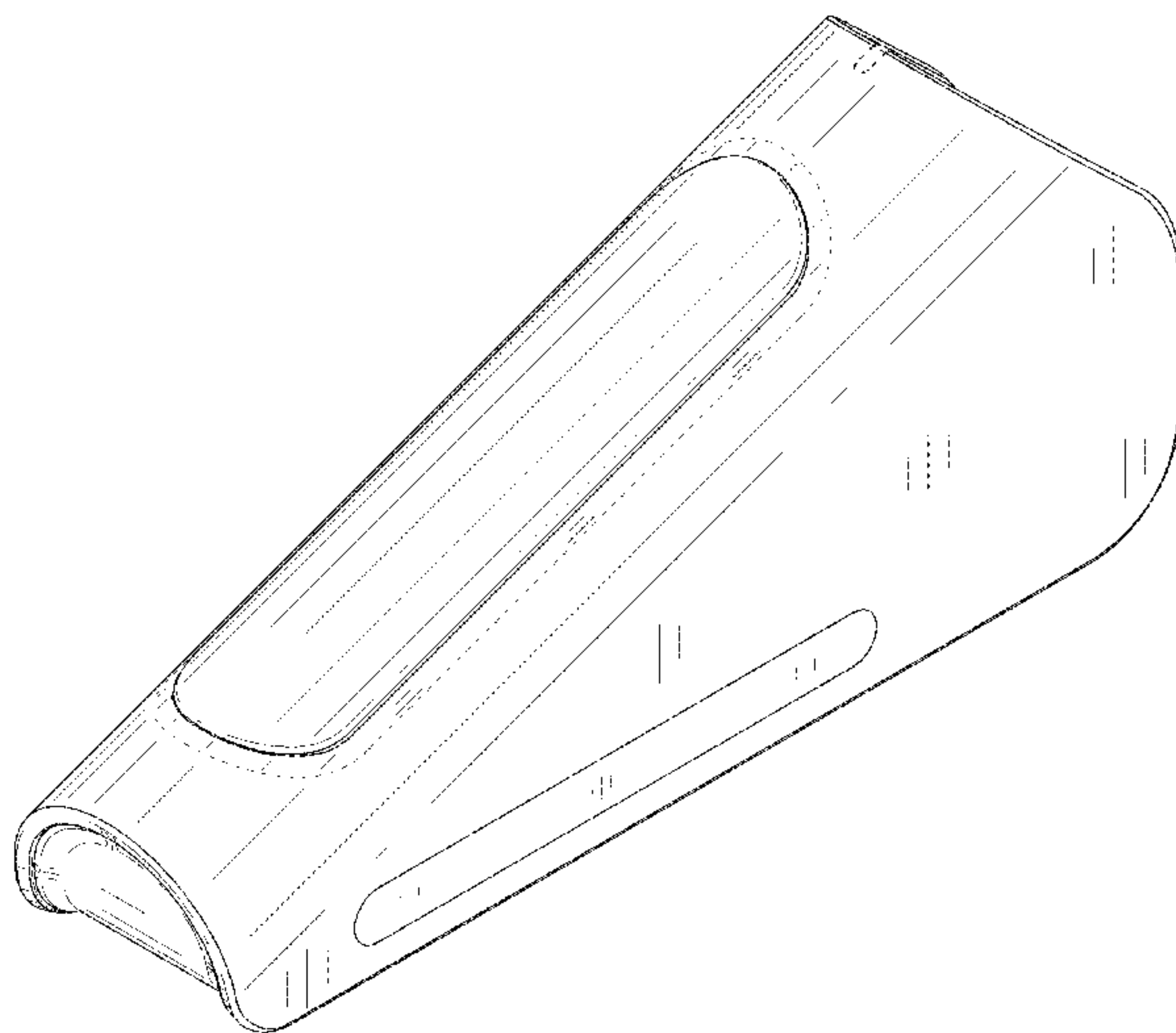


FIG. 1

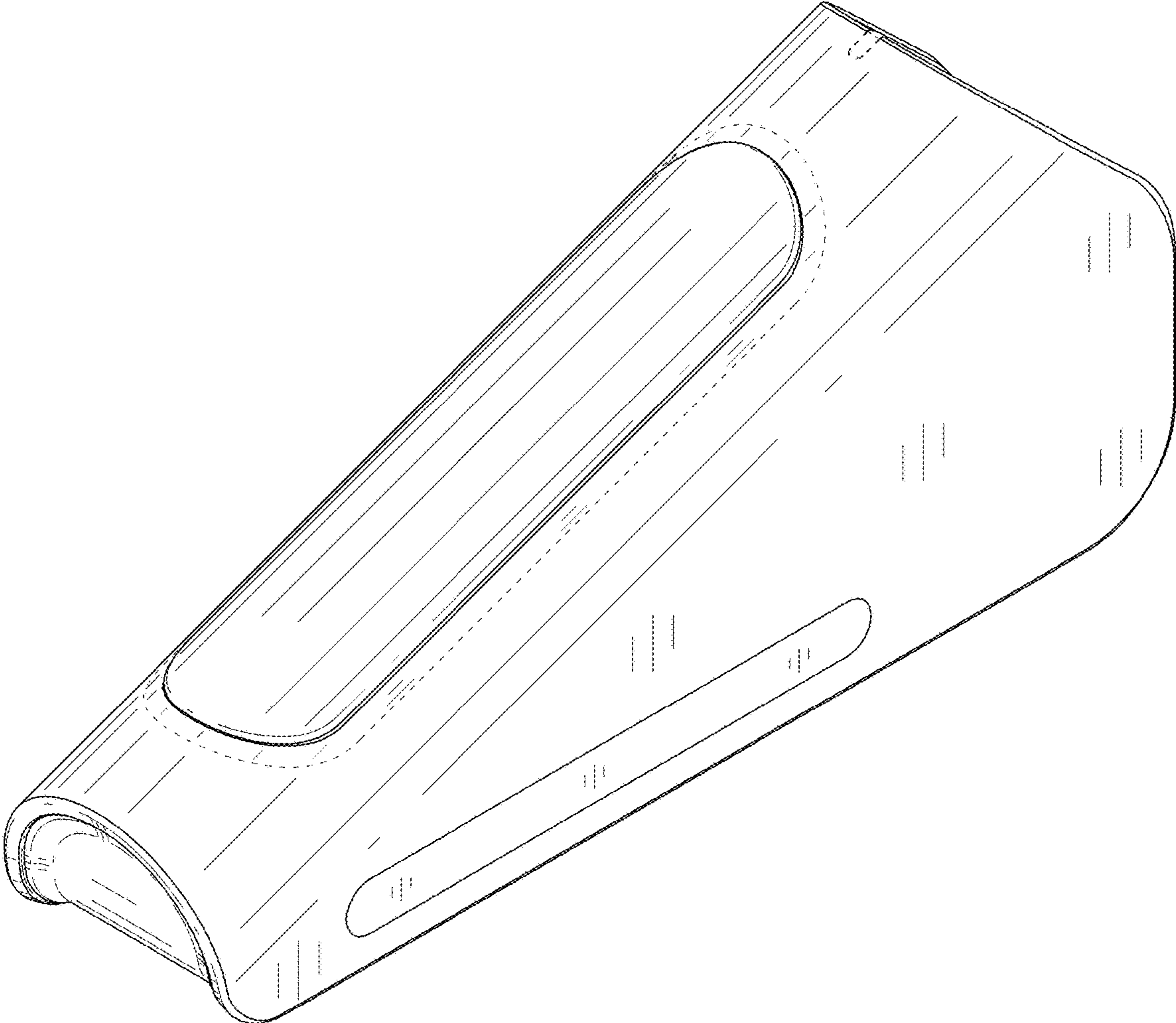


FIG. 2

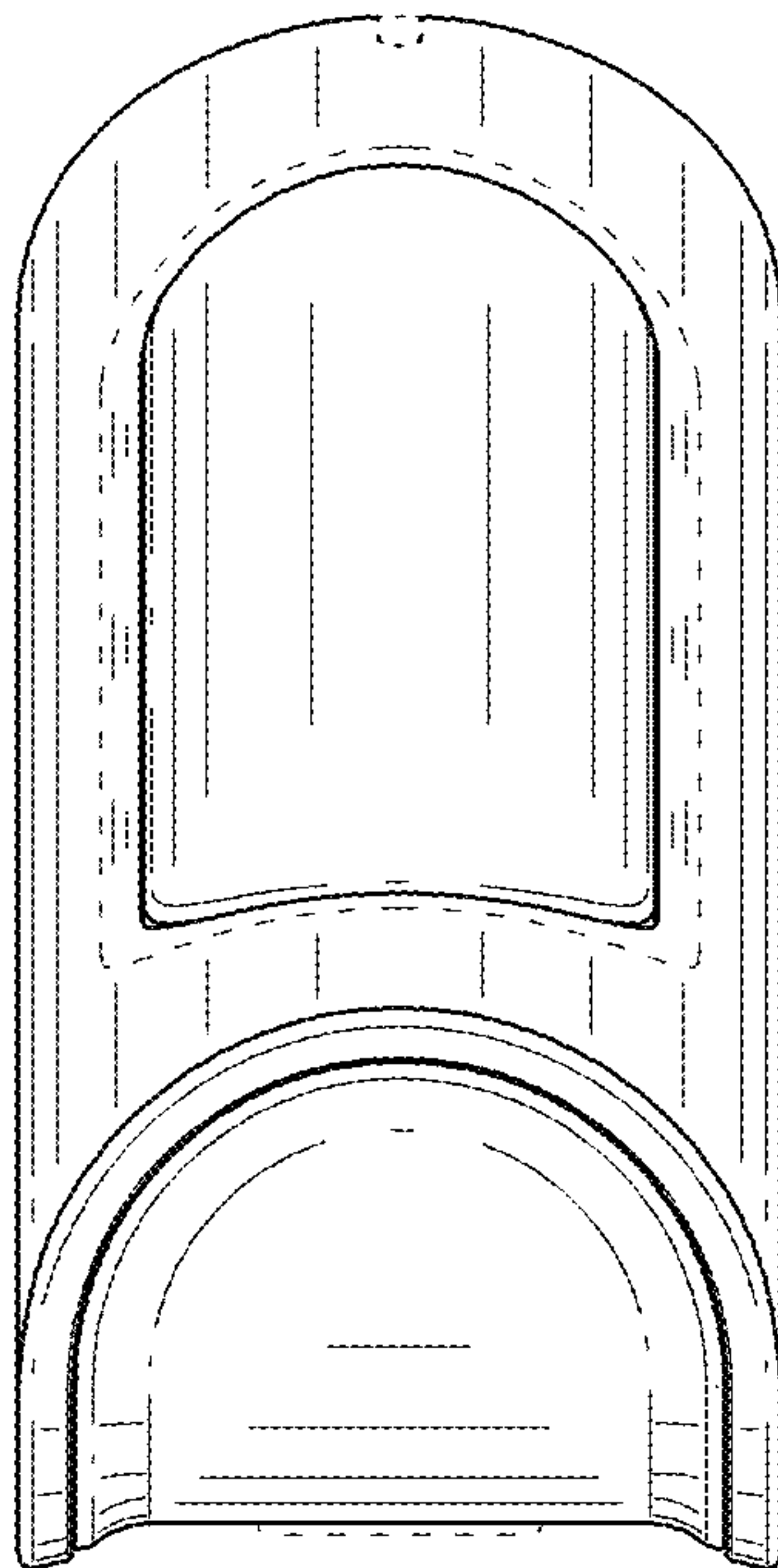


FIG. 3

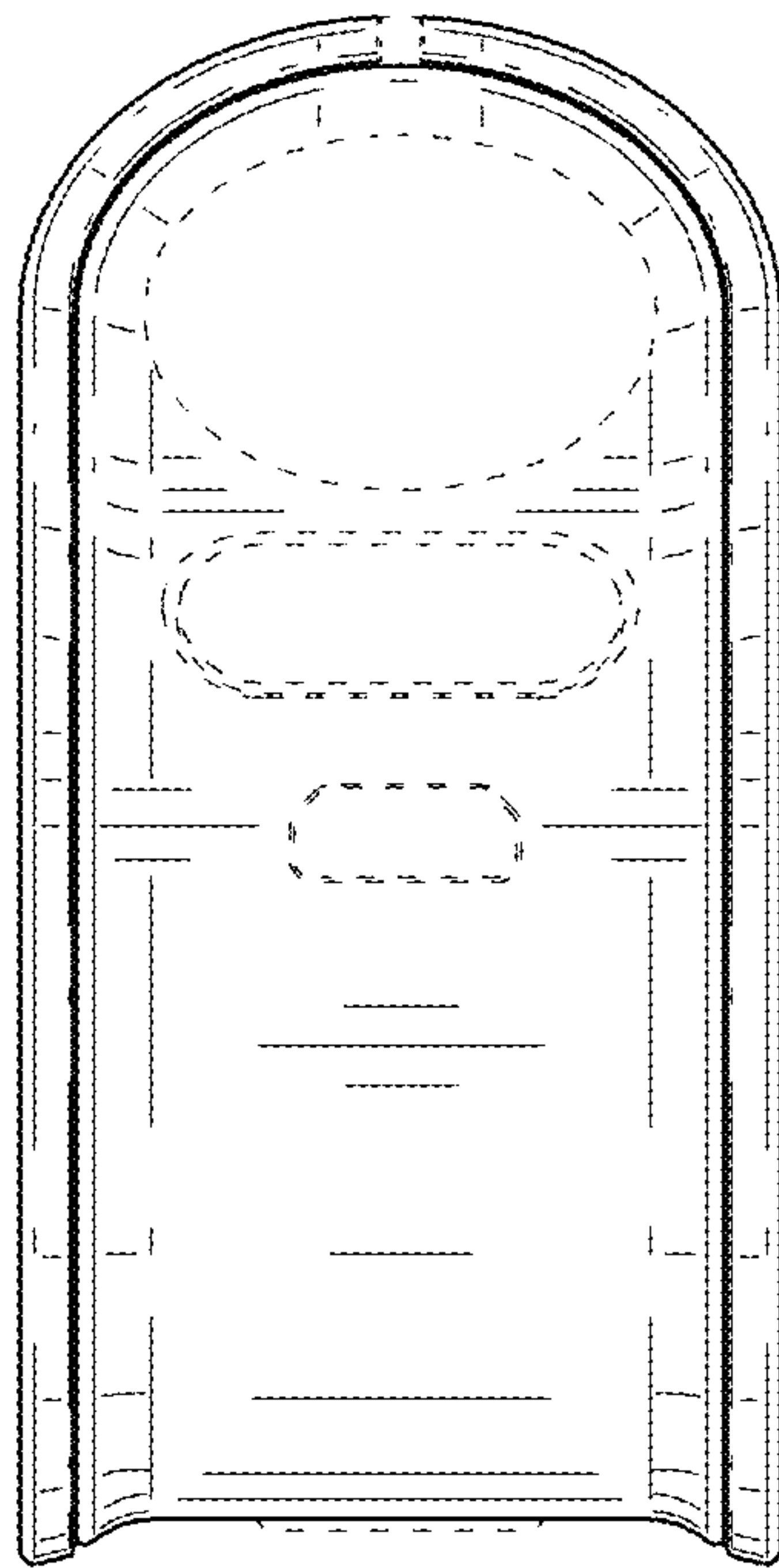


FIG. 4

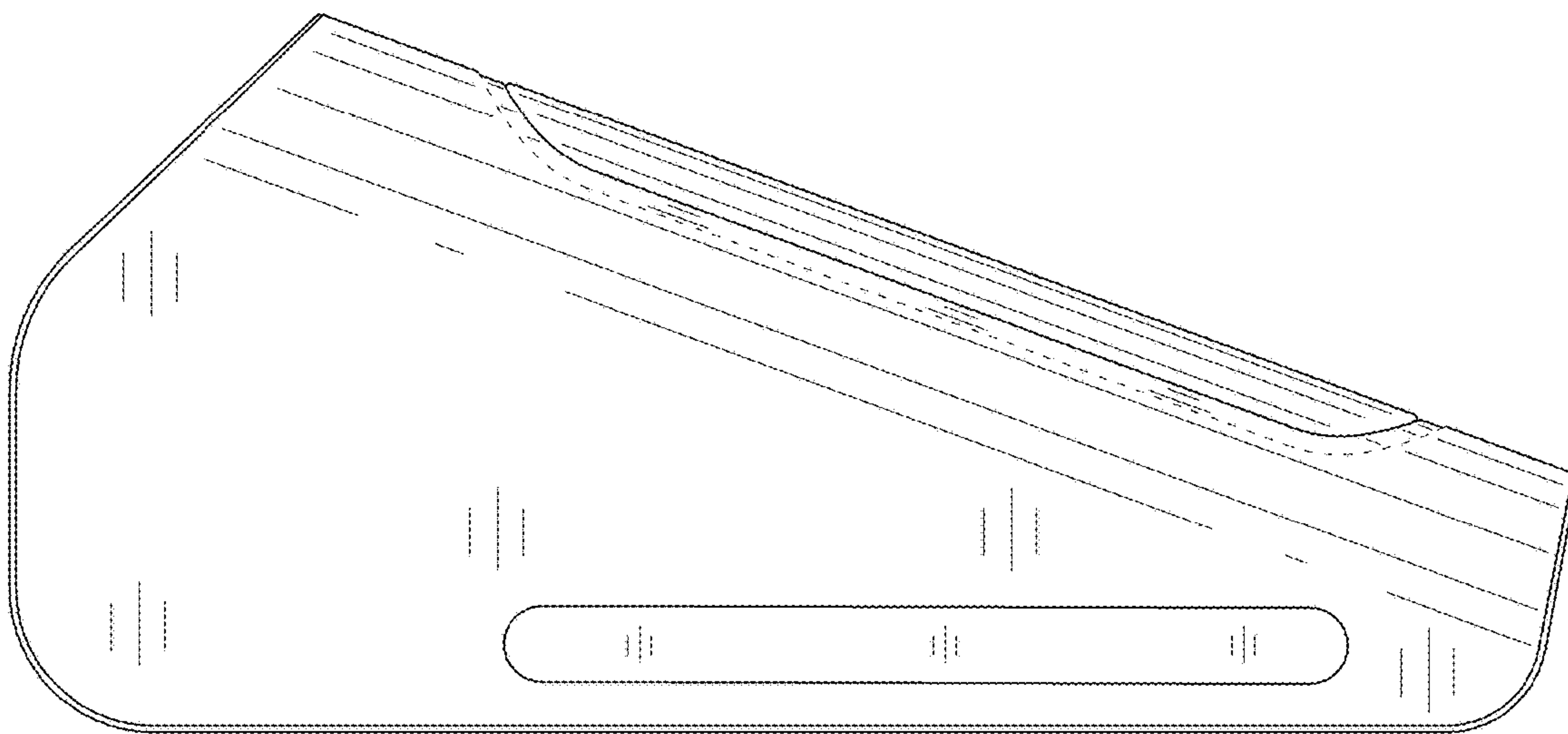


FIG. 5

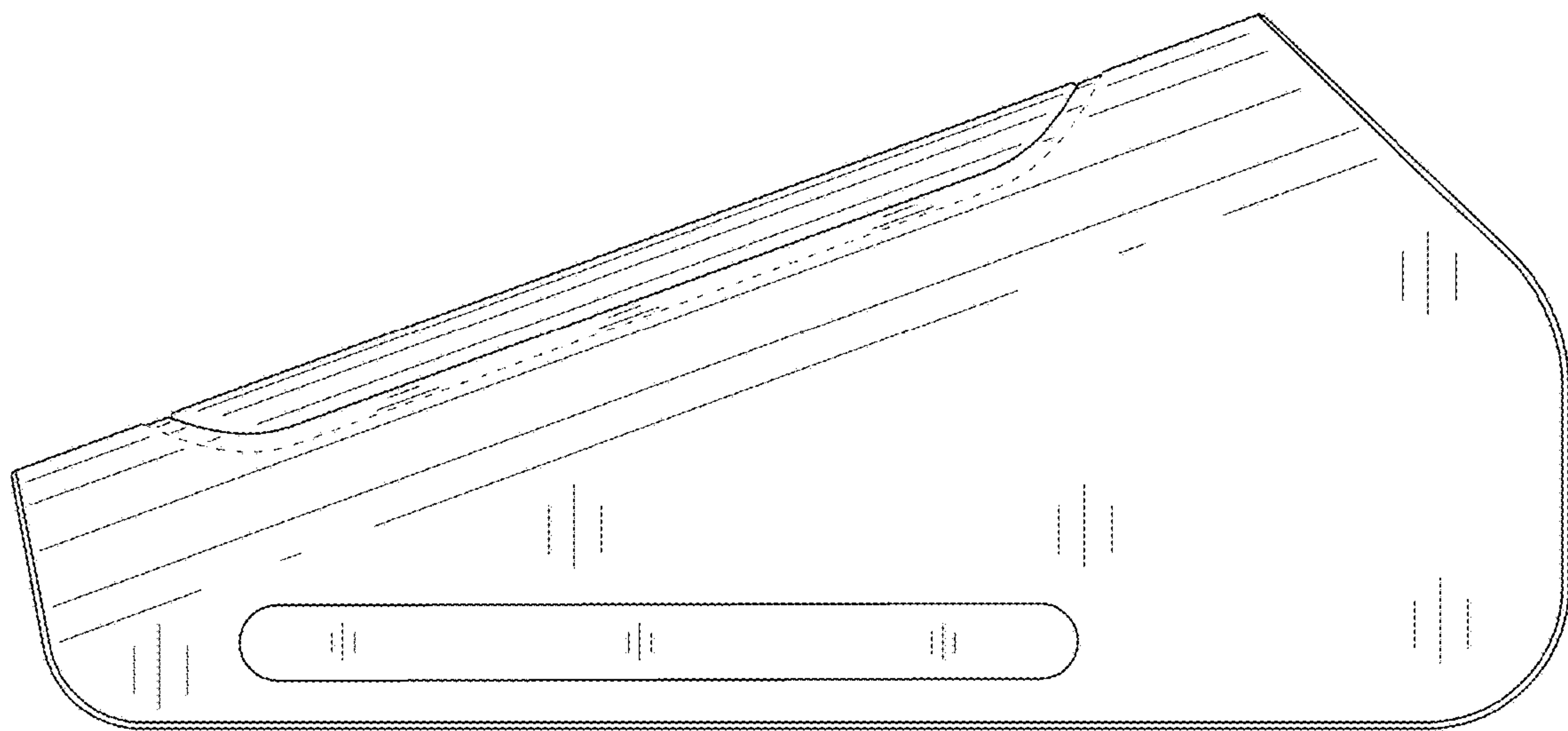


FIG. 6

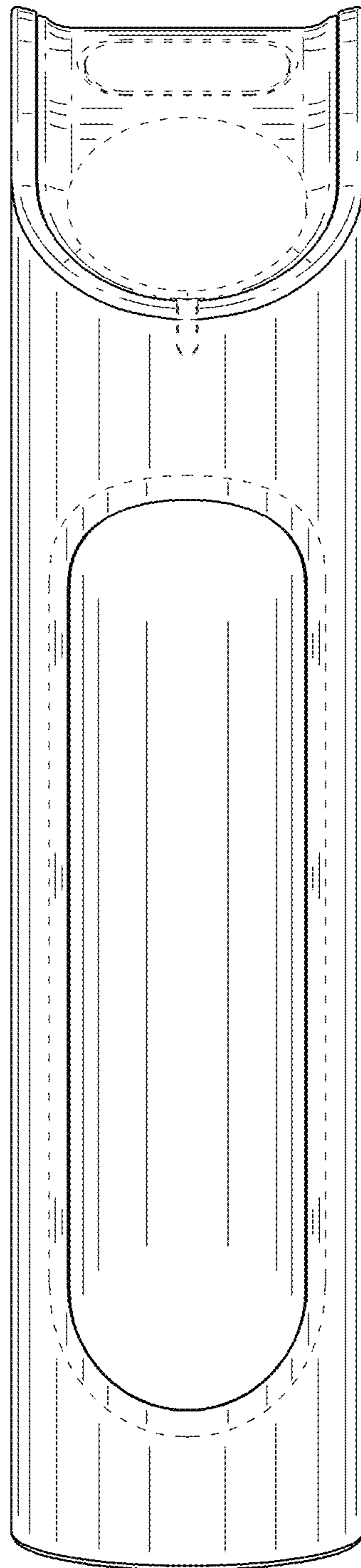


FIG. 7

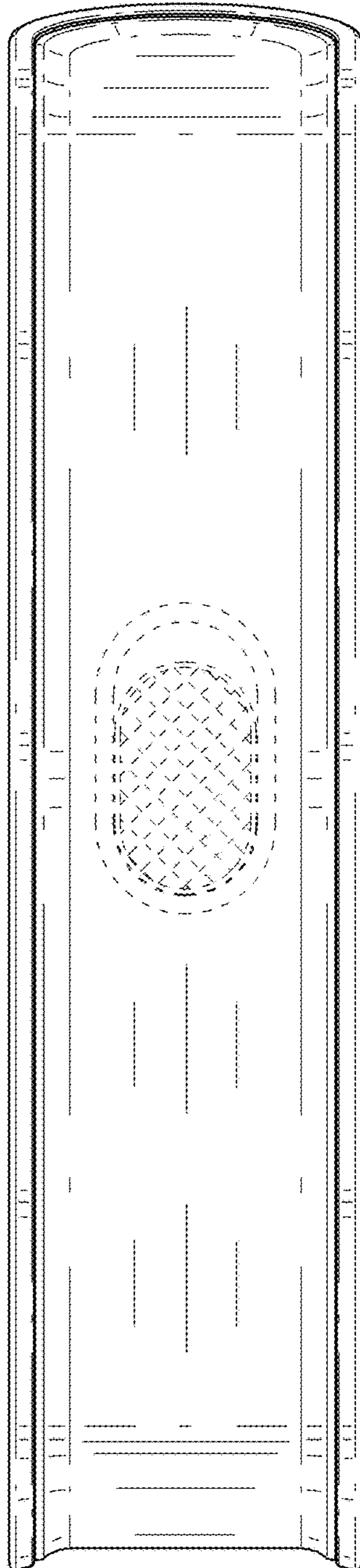


FIG. 8

