

US00D836466S

(12) **United States Design Patent**
Shi

(10) **Patent No.:** **US D836,466 S**
(45) **Date of Patent:** **** Dec. 25, 2018**

(54) **WATCH**

(71) Applicants: **Anhui Huami Information Technology Co.,Ltd.**, Hefei, Anhui (CN); **Huami Inc.**, Mountain View, CA (US)

(72) Inventor: **Xiaoxi Shi**, Mountain View, CA (US)

(73) Assignees: **Anhui Huami Information Technology Co., Ltd.**, Hefei (CN); **Huami Inc.**, Mountain View, CA (US)

(**) Term: **15 Years**

(21) Appl. No.: **29/585,632**

(22) Filed: **Nov. 28, 2016**

(30) **Foreign Application Priority Data**

Jun. 3, 2016 (CN) 2016 3 0222192

(51) **LOC (11) Cl.** **10-02**

(52) **U.S. Cl.**
USPC **D10/32; D14/344**

(58) **Field of Classification Search**
USPC D10/22, 30-32, 37-39, 65, 70, 98, 103,
D10/122-124, 126-128, 131; D14/344
(Continued)

(56) **References Cited**

U.S. PATENT DOCUMENTS

D338,161 S * 8/1993 Kizaki D10/126
D356,267 S * 3/1995 Courteault D10/30
D358,777 S * 5/1995 Polenberg D10/39
D397,042 S * 8/1998 Riley D10/30
(Continued)

Primary Examiner — Sandra S Snapp

Assistant Examiner — Katherine Glennon

(74) *Attorney, Agent, or Firm* — Young Basile Hanlon & MacFarlane, P.C.

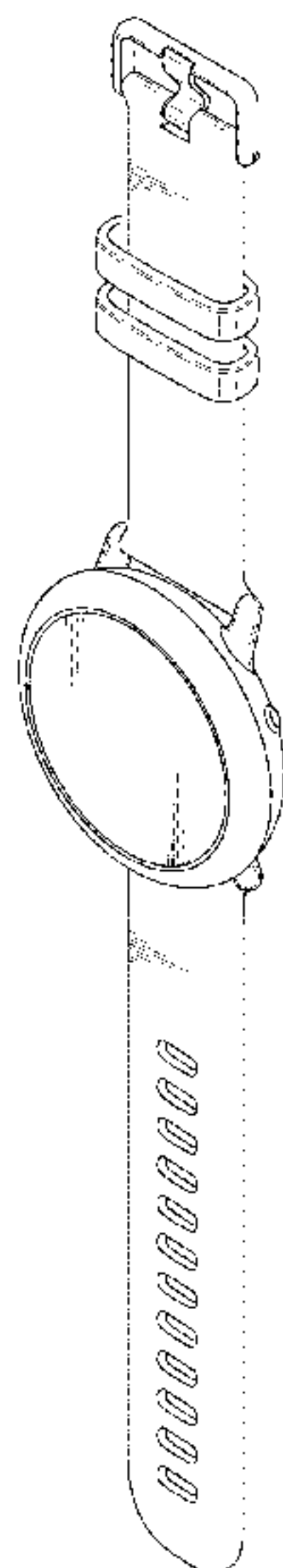
(57) **CLAIM**

The ornamental design for a watch, as shown and described.

DESCRIPTION

FIG. 1 is a front view of a watch of a first embodiment according to my new design.
FIG. 2 is a rear view of the watch of the first embodiment of FIG. 1.
FIG. 3 is a left side view of the watch of the first embodiment of FIG. 1.
FIG. 4 is a right side view of the watch of the first embodiment of FIG. 1.
FIG. 5 is a top view of the watch of the first embodiment of FIG. 1.
FIG. 6 is a bottom view of the watch of the first embodiment of FIG. 1.
FIG. 7 is a perspective view of the front and right side of the watch of the first embodiment of FIG. 1.
FIG. 8 is a perspective view of the rear and left side of the watch of the first embodiment of FIG. 1.
FIG. 9 is a front view of a watch of a second embodiment according to my new design.
FIG. 10 is a rear view of the watch of the second embodiment of FIG. 1.
FIG. 11 is a left side view of the watch of the second embodiment of FIG. 1.
FIG. 12 is a right side view of the watch of the second embodiment of FIG. 1.
FIG. 13 is a top view of the watch of the second embodiment of FIG. 1.
FIG. 14 is a bottom view of the watch of the second embodiment of FIG. 1.
FIG. 15 is a perspective view of the front and right side of the watch of the second embodiment of FIG. 1; and,
FIG. 16 is a perspective view of the rear and left side of the watch of the second embodiment of FIG. 1.
The ornamental design which is claimed is shown in solid lines in the drawings. The broken lines in the drawings illustrate environment and form no part of the claimed design.

1 Claim, 14 Drawing Sheets



(58) **Field of Classification Search**

CPC A44C 5/16; A44C 5/22; A44C 5/24; A44C
5/243; A44C 5/246; A44C 5/10; A44C
5/102; A44C 5/105; A44C 5/107; A44C
5/02; A44C 5/027; A44C 5/00; A44C
5/0053; A44C 5/0076; A44C 5/0069;
G04B 19/06; G04B 19/08; G04B 19/085;
G04B 19/103; G04B 19/12; G04B 19/18;
G04B 19/22; G04B 19/223; G04B 19/24;
G04B 19/26; G04B 19/283; G04B 19/30;
G04B 19/00; G04B 19/025; G04B 19/04;
G04B 3/046; G04B 3/048; G04B 37/106;
G04B 3/001; G04B 37/1486; G04F 7/08;
G04F 7/0804; G04F 7/0842; G04F
7/0852; G04F 7/0857; G04F 7/0861;
G04F 7/0871; G04F 7/0876

See application file for complete search history.

(56) **References Cited**

U.S. PATENT DOCUMENTS

D414,705 S * 10/1999 Kennedy D10/30
D460,002 S * 7/2002 Wunderman D10/32
D653,564 S * 2/2012 Eida D10/32
D729,074 S * 5/2015 Boulangeot D10/124
D743,282 S * 11/2015 Park D10/30
D752,583 S * 3/2016 Solomon D10/38
D759,511 S * 6/2016 Belamich D10/126
D761,139 S * 7/2016 Golnik D10/103
D768,623 S * 10/2016 Zou D10/39
D772,868 S * 11/2016 Park D10/39
D773,944 S * 12/2016 Wang D10/30
D792,244 S * 7/2017 Schaad D10/30
D799,986 S * 10/2017 Monachon D10/30

* cited by examiner

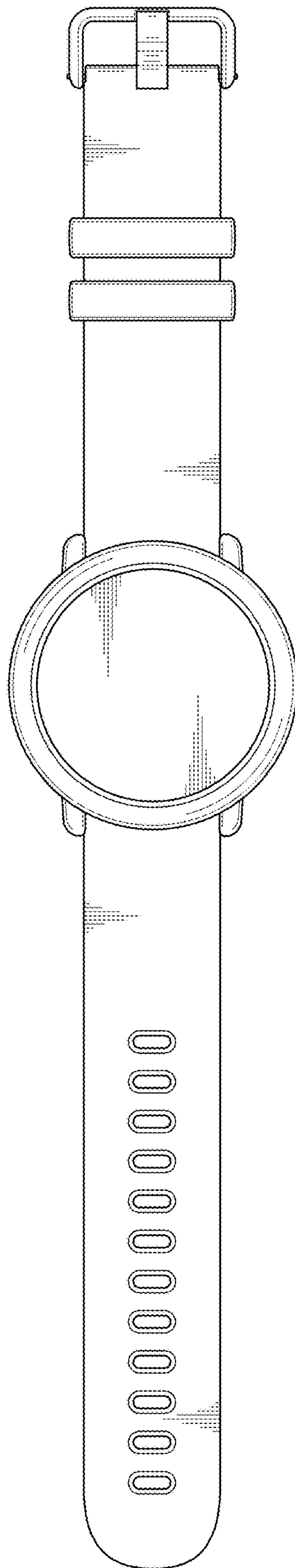


FIG. 1

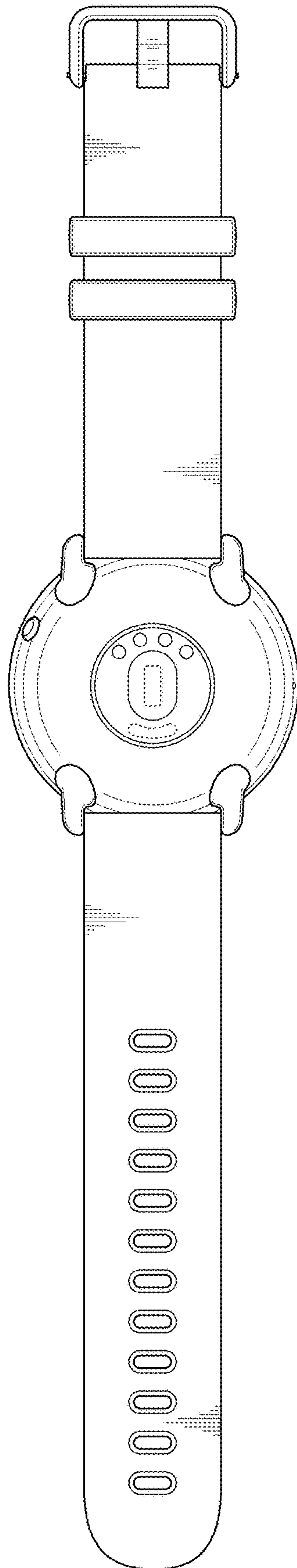


FIG. 2



FIG. 3



FIG. 4

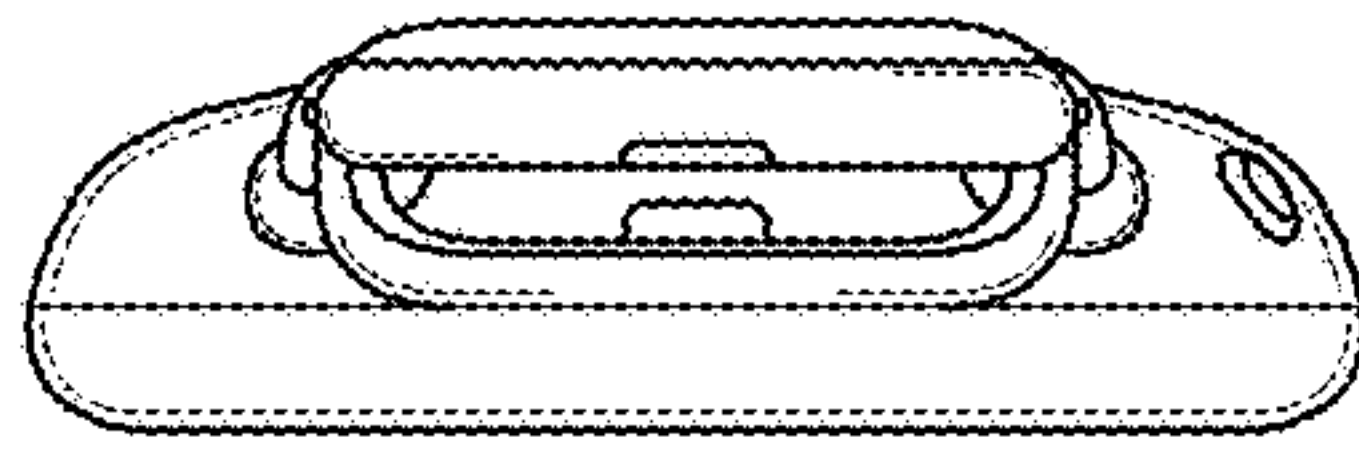


FIG. 5

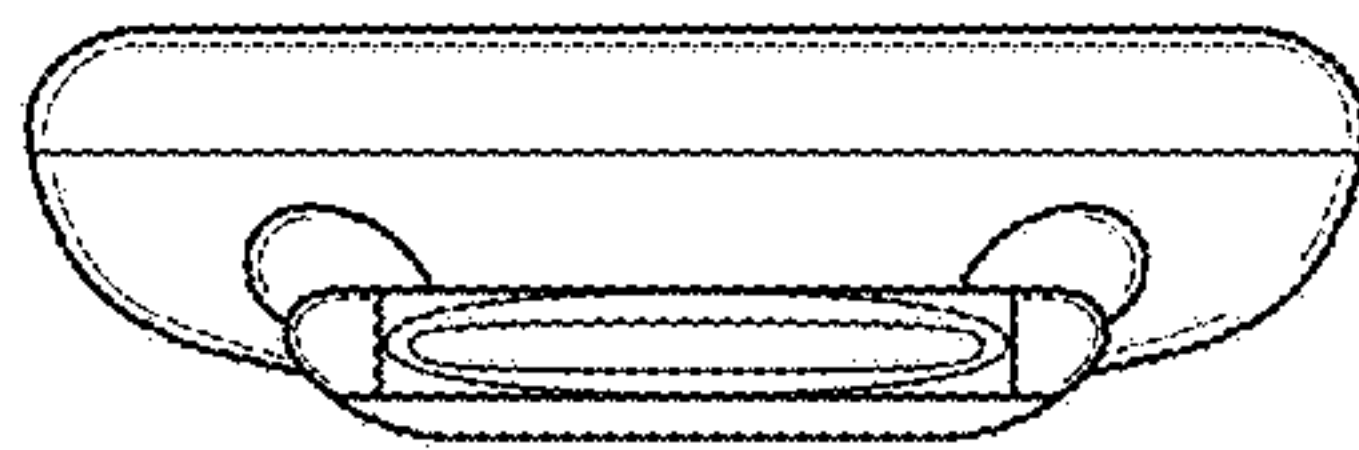


FIG. 6

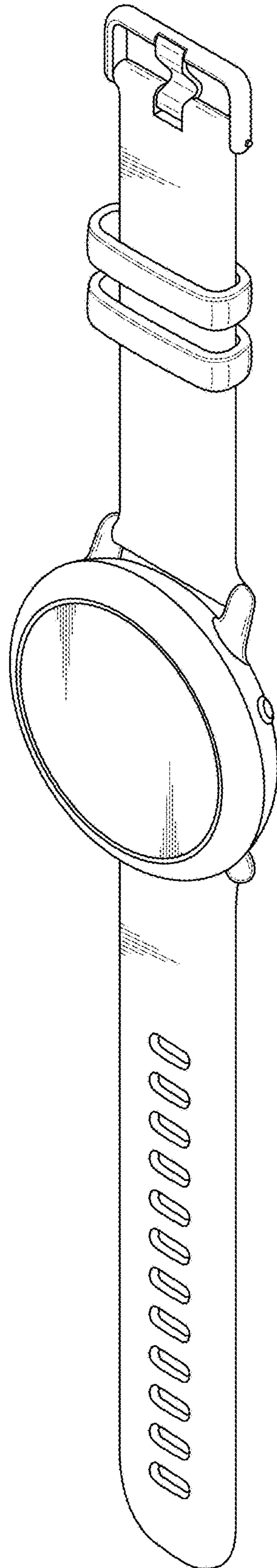


FIG. 7

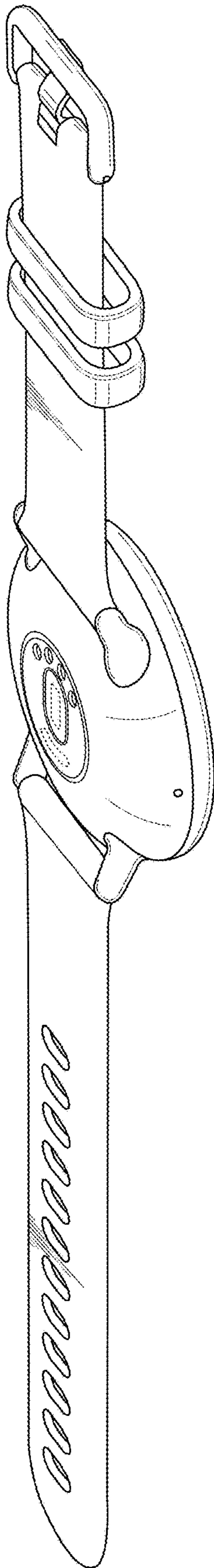


FIG. 8

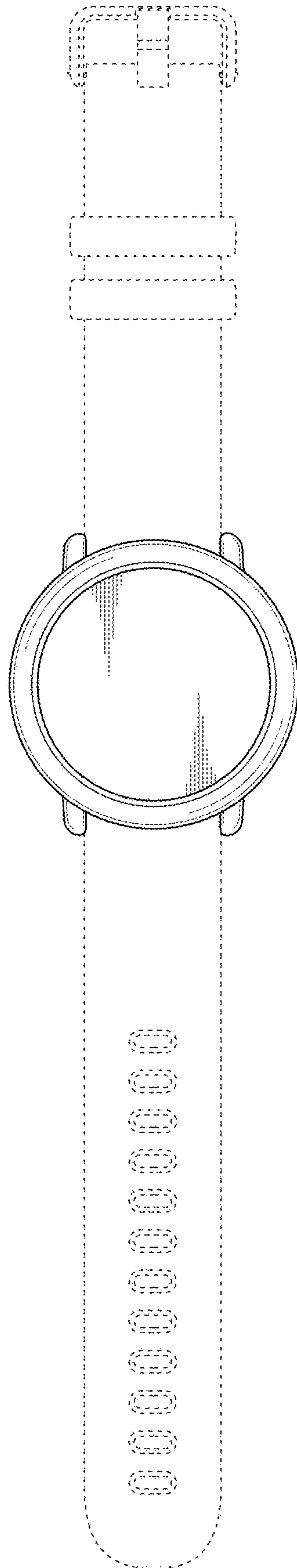


FIG. 9

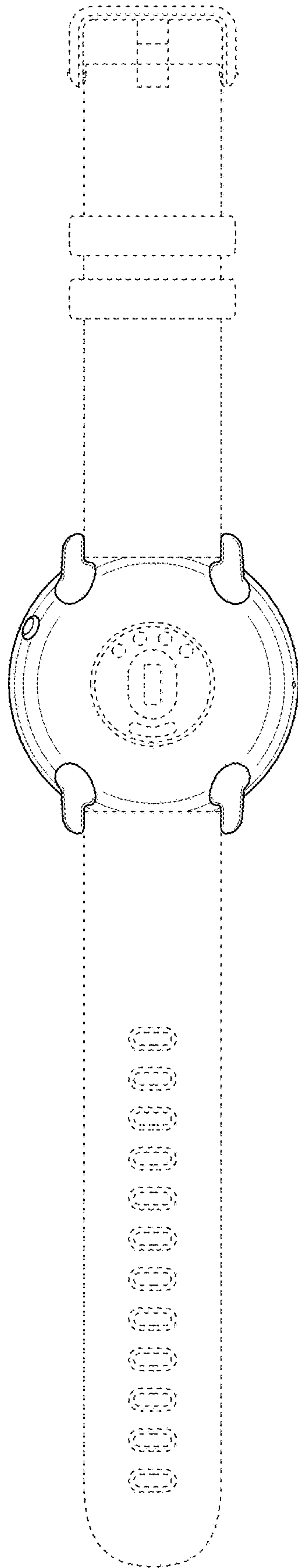


FIG. 10

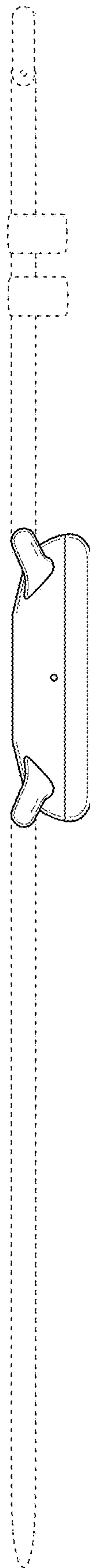


FIG. 11

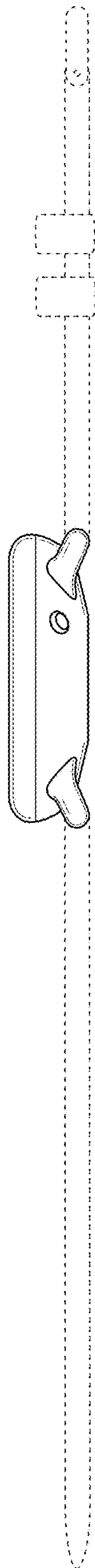


FIG. 12

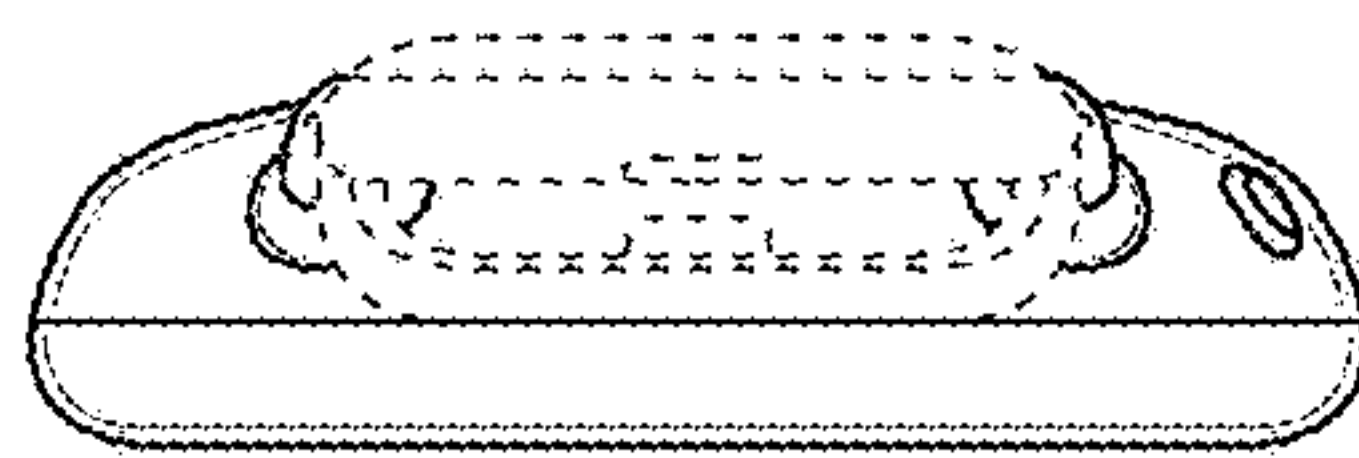


FIG. 13

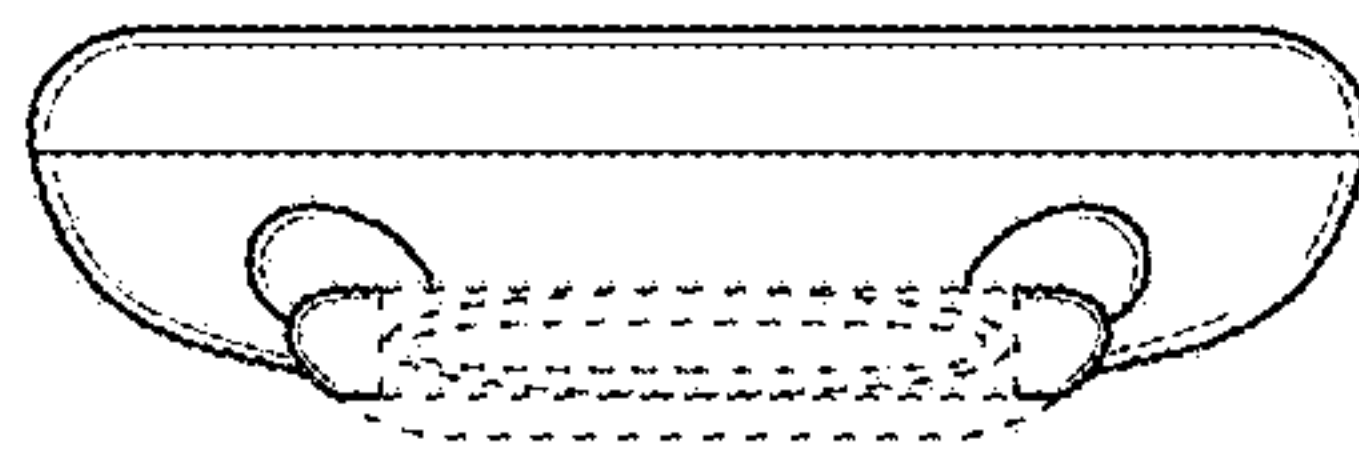


FIG. 14

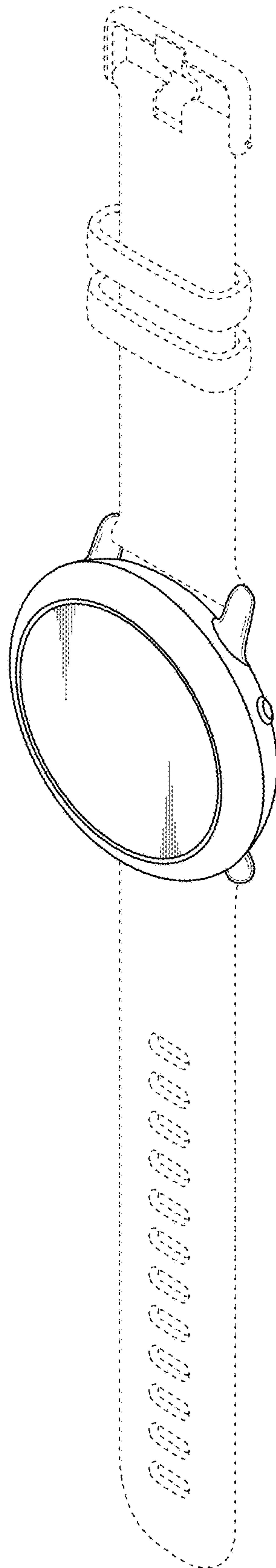


FIG. 15

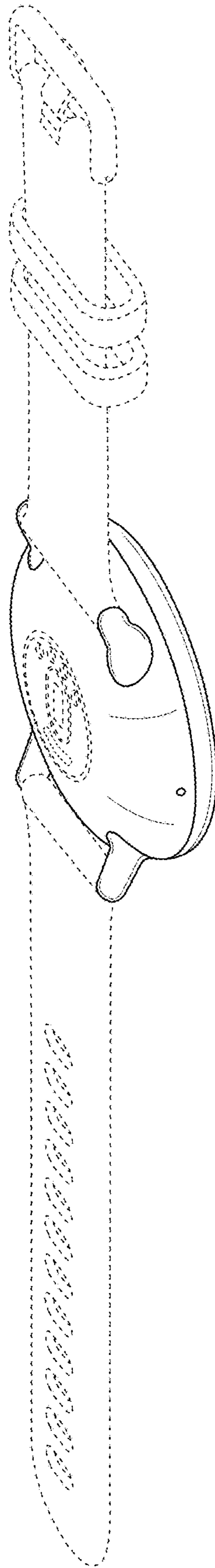


FIG. 16

UNITED STATES PATENT AND TRADEMARK OFFICE
CERTIFICATE OF CORRECTION

PATENT NO. : D836,466 S
APPLICATION NO. : 29/585632
DATED : December 25, 2018
INVENTOR(S) : Xiaoxi Shi

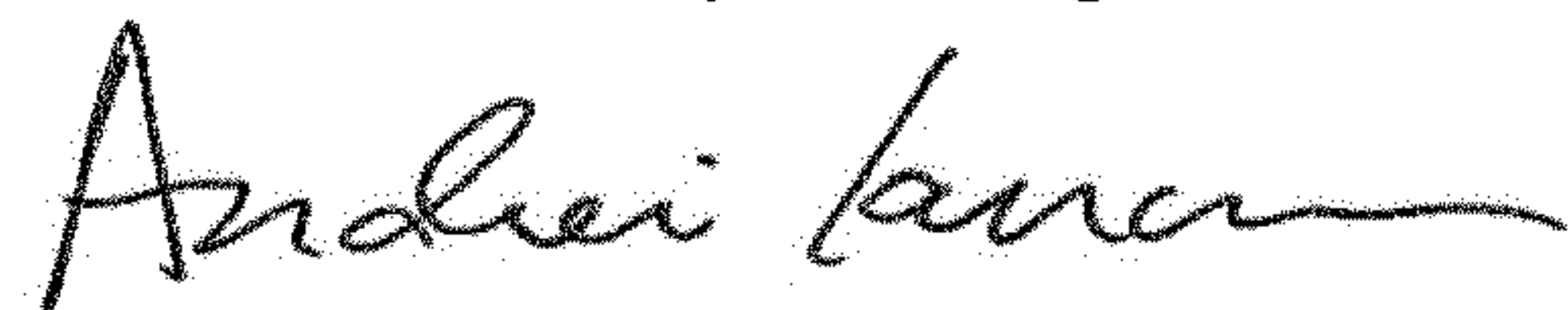
Page 1 of 9

It is certified that error appears in the above-identified patent and that said Letters Patent is hereby corrected as shown below:

Delete the title page and replace with the attached title page showing the corrected number of drawing sheets and figure descriptions.

Delete Drawing Sheets 1-14 and replace with the attached Drawing Sheets 1-7. FIGS. 9-16 were canceled and removed from patent.

Signed and Sealed this
Twentieth Day of August, 2019



Andrei Iancu
Director of the United States Patent and Trademark Office

(12) **United States Design Patent** (10) **Patent No.:** **US D836,466 S**
Shi (45) **Date of Patent:** **** Dec. 25, 2018**

(54) **WATCH**

(71) Applicants: **Anhui Huami Information Technology Co.,Ltd.**, Hefei, Anhui (CN); **Huami Inc.**, Mountain View, CA (US)

(72) Inventor: **Xiaoxi Shi**, Mountain View, CA (US)

(73) Assignees: **Anhui Huami Information Technology Co., Ltd.**, Hefei (CN); **Huami Inc.**, Mountain View, CA (US)

(**) Term: **15 Years**

(21) Appl. No.: **29/585,632**

(22) Filed: **Nov. 28, 2016**

(30) **Foreign Application Priority Data**

Jun. 3, 2016 (CN) 2016 3 0222192

(51) **LOC (11) CL.** **10-02**

(52) **U.S. CL.**
 USPC **D10/32; D14/344**

(58) **Field of Classification Search**
 USPC D10/22, 30-32, 37-39, 65, 70, 98, 103,
 D10/122-124, 126-128, 131; D14/344
 (Continued)

(56) **References Cited**

U.S. PATENT DOCUMENTS

D338,161 S * 8/1993 Kizaki D10/126
 D356,267 S * 3/1995 Courteault D10/30
 D358,777 S * 5/1995 Polenber D10/39
 D397,042 S * 8/1998 Riley D10/30
 (Continued)

Primary Examiner — Sandra S Snapp

Assistant Examiner — Katherine Glennon

(74) *Attorney, Agent, or Firm* — Young Basile Hanlon & MacFarlane, P.C.

(57) **CLAIM**

The ornamental design for a watch, as shown and described.

DESCRIPTION

FIG. 1 is a front view of a watch of a first embodiment according to my new design.

FIG. 2 is a rear view of the watch of the first embodiment of FIG. 1.

FIG. 3 is a left side view of the watch of the first embodiment of FIG. 1.

FIG. 4 is a right side view of the watch of the first embodiment of FIG. 1.

FIG. 5 is a top view of the watch of the first embodiment of FIG. 1.

FIG. 6 is a bottom view of the watch of the first embodiment of FIG. 1.

FIG. 7 is a perspective view of the front and right side of the watch of the first embodiment of FIG. 1.

FIG. 8 is a perspective view of the rear and left side of the watch of the first embodiment of FIG. 1.

The ornamental design which is claimed is shown in solid lines in the drawings. The broken lines in the drawings illustrate environment and form no part of the claimed design.

1 Claim, 7 Drawing Sheets



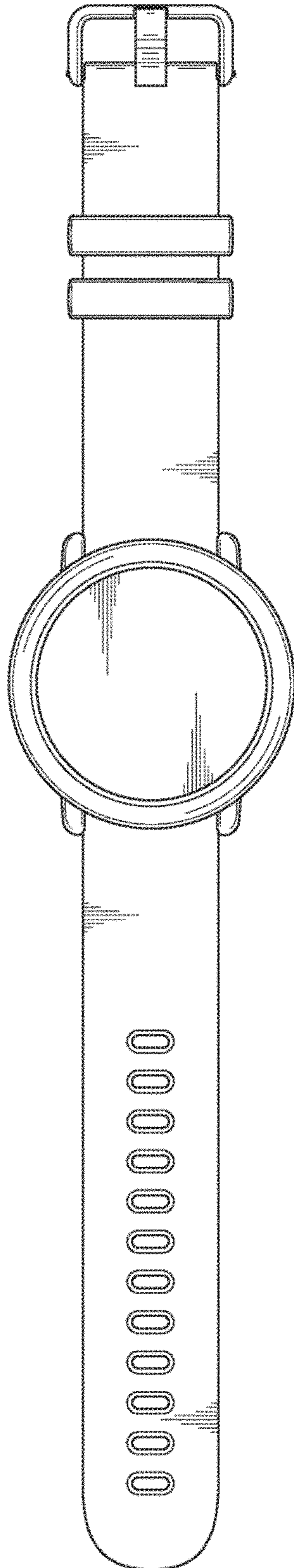


FIG. 1

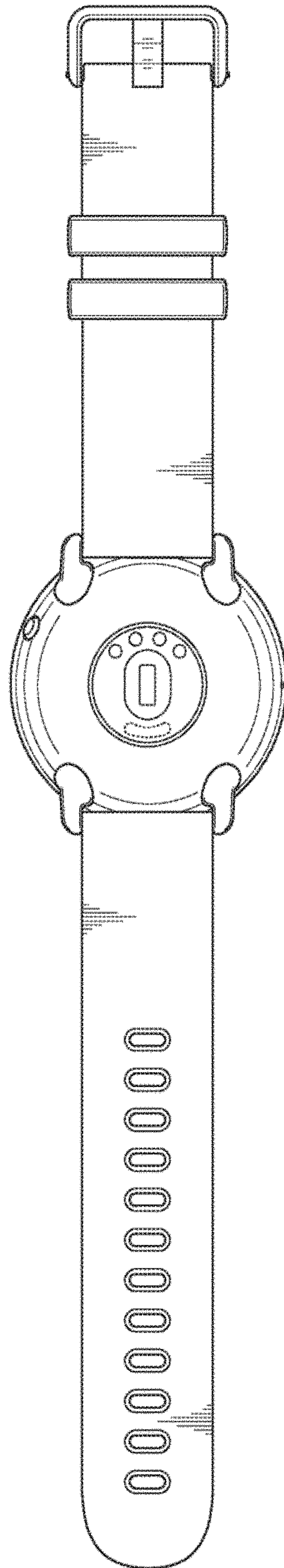


FIG. 2



FIG. 3



FIG. 4

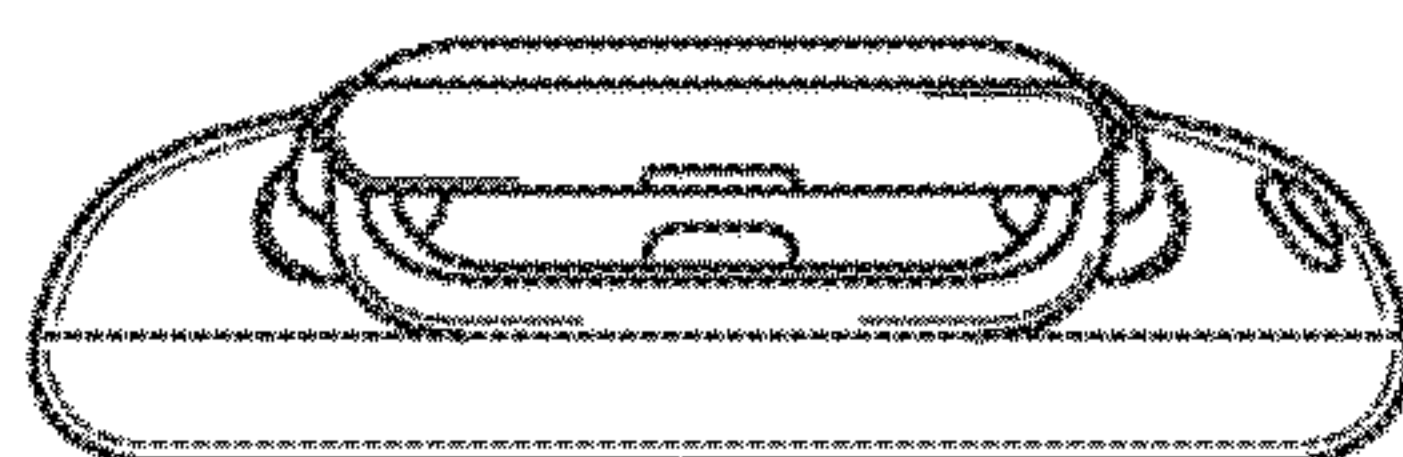


FIG. 5



FIG. 6

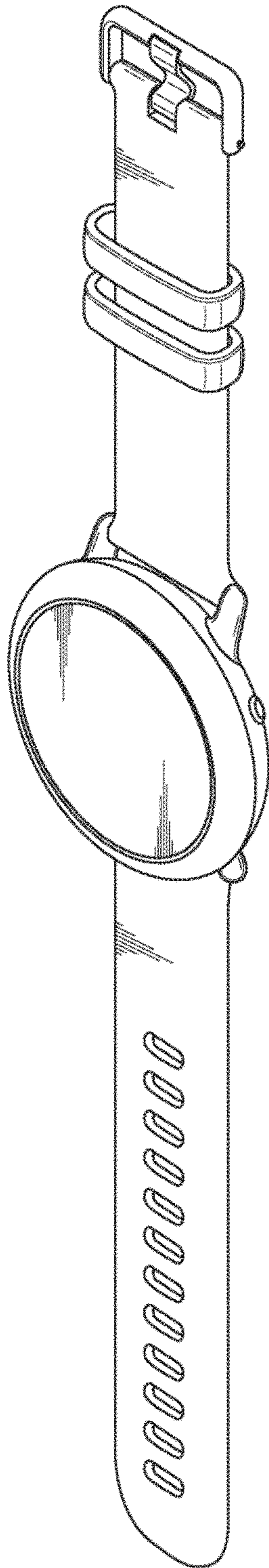


FIG. 7

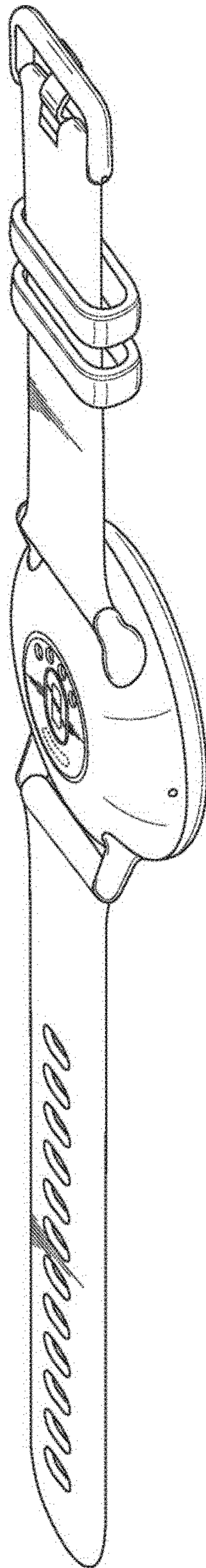


FIG. 8