



US00D836464S

(12) **United States Design Patent** (10) **Patent No.:** **US D836,464 S**  
**Liu et al.** (45) **Date of Patent:** **\*\* Dec. 25, 2018**

(54) **WATCH WITH DISPLAY**  
(71) Applicant: **Garmin Switzerland GmbH**,  
Schaffhausen (CH)  
(72) Inventors: **Kevin Liu**, Kansas City, MO (US);  
**Nicholas B. Greusel**, Overland Park,  
KS (US)  
(73) Assignee: **Garmin Switzerland GmbH** (CH)  
(\*\*) Term: **15 Years**  
(21) Appl. No.: **29/599,722**  
(22) Filed: **Apr. 6, 2017**  
(51) **LOC (11) Cl.** ..... **10-02**  
(52) **U.S. Cl.**  
USPC ..... **D10/30**  
(58) **Field of Classification Search**  
USPC ..... D10/30, 31, 32, 33, 34, 35, 36, 37, 38,  
D10/39, 122, 123, 124, 102, 128; D11/1,  
D11/2, 3, 4; D14/300, 341, 344, 137,  
D14/138 R, 138 G  
CPC ..... G04B 17/00; G04B 17/02; G04B 17/005;  
G04B 17/285; G04B 37/00; G04B  
37/0058; G04B 45/00; G04B 45/02;  
G04B 45/0038; G04B 45/0069; G04B  
45/0076; G04B 29/00; G04B 19/268  
See application file for complete search history.

(56) **References Cited**  
U.S. PATENT DOCUMENTS  
D222,784 S 12/1971 Granges ..... D10/39  
3,733,809 A 5/1973 Reiter et al. .... 368/232  
3,740,944 A 6/1973 Chopard ..... 368/281  
3,901,023 A 8/1975 Uebelhardt ..... 368/281  
D317,265 S 6/1991 Giolla et al. .... D10/39  
5,226,023 A 7/1993 Grimm ..... 368/223  
D367,616 S \* 3/1996 Dobashi ..... D10/30  
D416,498 S \* 11/1999 Blondin ..... D10/39

D417,158 S 11/1999 Krauss ..... D10/30  
D459,241 S 6/2002 Bodino ..... D10/32  
D471,115 S 3/2003 Buechner ..... D10/39  
6,577,558 B1 6/2003 Ricci ..... 368/228  
D504,624 S 5/2005 Bodino ..... D10/39  
D517,432 S \* 3/2006 Laucella ..... D10/39  
D538,182 S 3/2007 Lalo ..... D10/32  
(Continued)

**OTHER PUBLICATIONS**

Golf Monthly, ETIQUS golf watch collection unveiled, posted Sep. 16, 2014, [online], [site visited Sep. 11, 2018]. Available from internet, <URL: <https://www.golf-monthly.co.uk/gear/gear-news/etiquis-golf-watch-collection-un-57598>> (Year: 2014).\*  
(Continued)

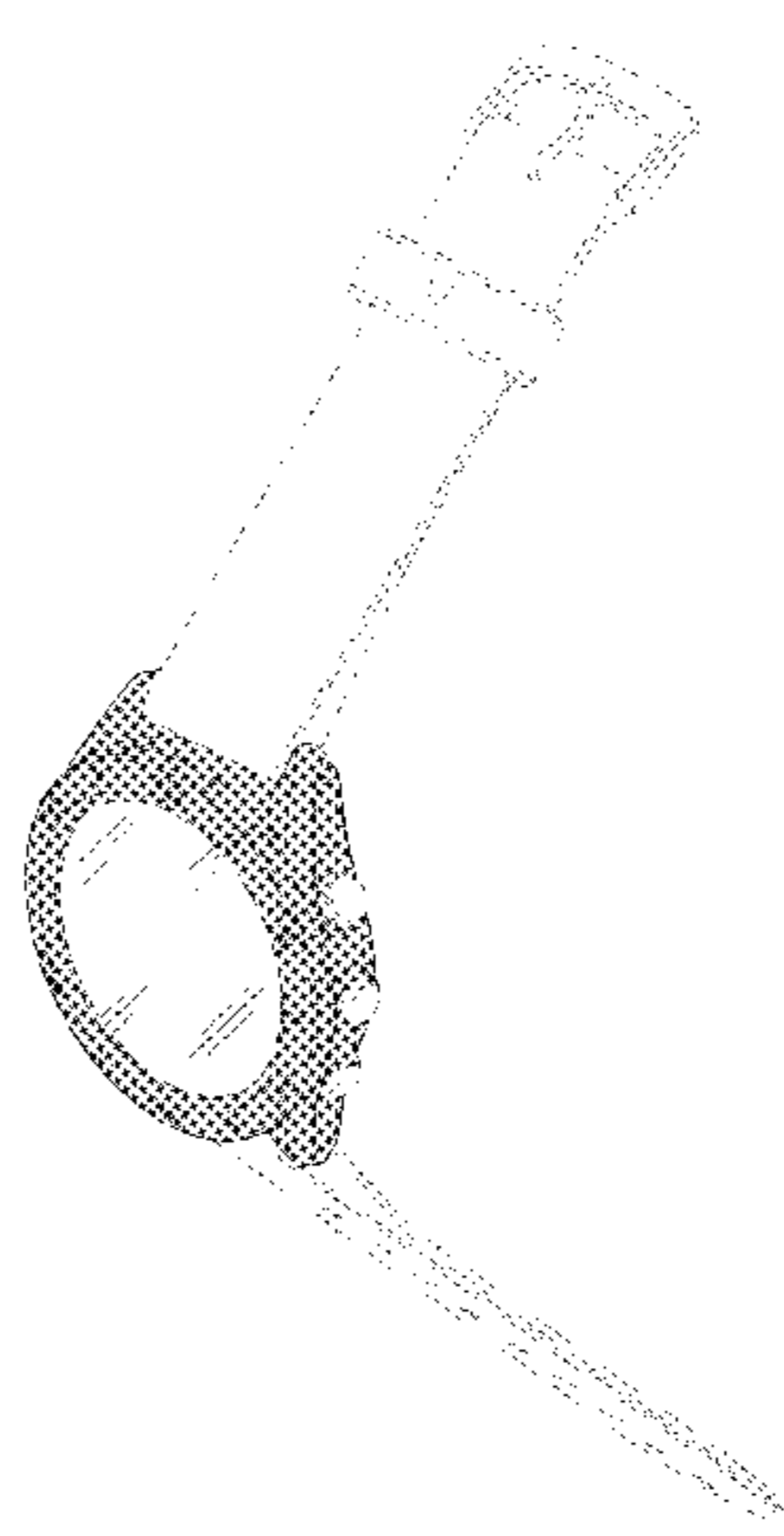
*Primary Examiner* — Sheryl Lane  
*Assistant Examiner* — Samantha N Wood  
(74) *Attorney, Agent, or Firm* — Samuel M. Korte; Max M. Ali

(57) **CLAIM**  
The ornamental design for a watch with display, as shown and described.

**DESCRIPTION**

FIG. 1 is a front perspective view of a watch with display according to the present invention;  
FIG. 2 is a rear perspective view of the watch with display;  
FIG. 3 is a top view of the watch with display;  
FIG. 4 is a front view of the watch with display;  
FIG. 5 is a bottom view of the watch with display;  
FIG. 6 is a rear view of the watch with display;  
FIG. 7 is a left side view of the watch with display; and,  
FIG. 8 is a right side view of the watch with display.  
The broken lines shown in FIGS. 1 through 8 represent portions of the watch with display that form no part of the claimed design.

**1 Claim, 4 Drawing Sheets**



(56)

References Cited

U.S. PATENT DOCUMENTS

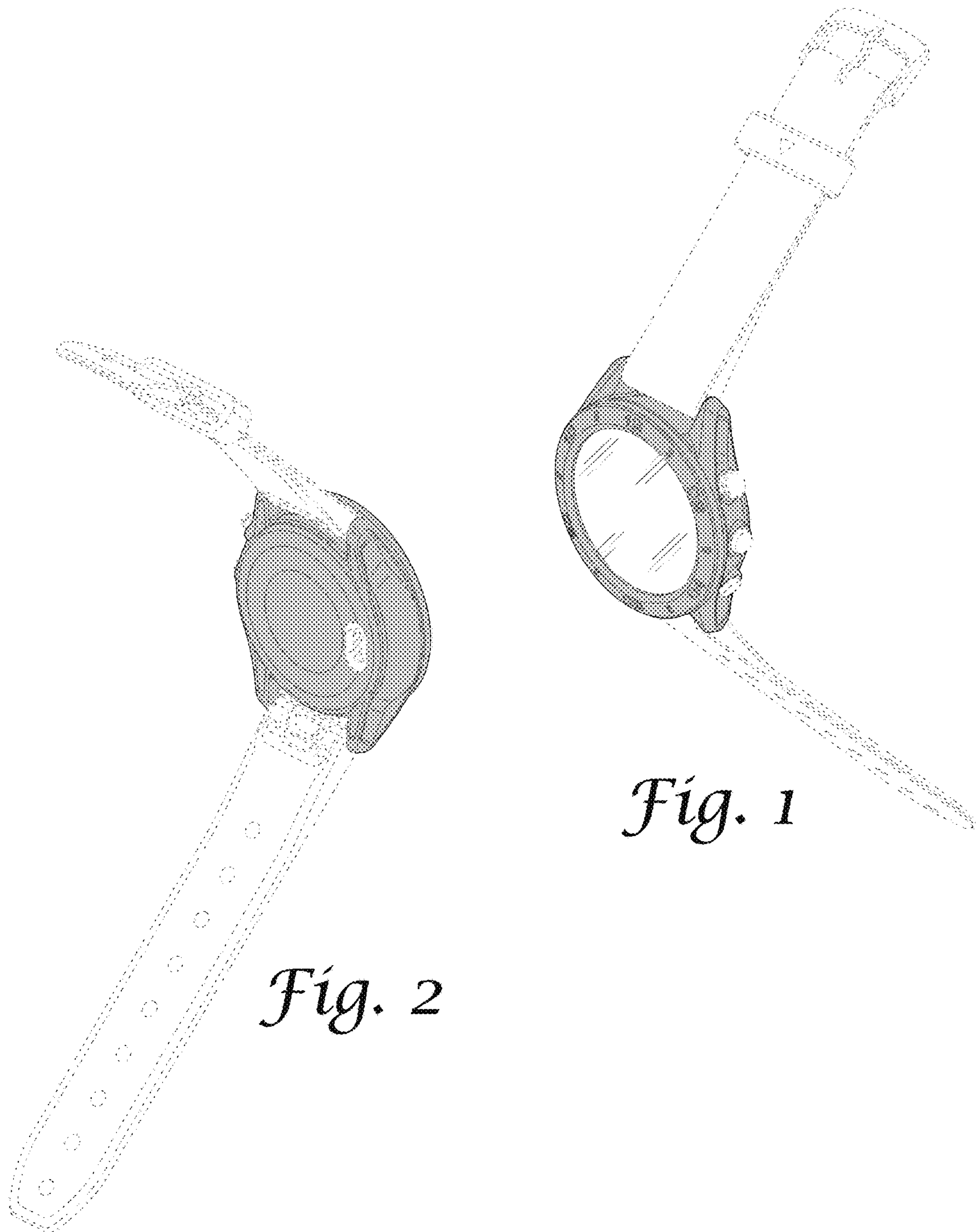
D573,486 S	7/2008	Sanz	.....	D10/38
D576,907 S	* 9/2008	Calvani	.....	D10/128
D585,310 S	1/2009	Allison	.....	D10/39
D592,975 S	5/2009	Markl	.....	D10/32
D596,510 S	7/2009	Register et al.	.....	D10/38
D607,346 S	1/2010	Bove et al.	.....	D10/38
D610,922 S	3/2010	Lammers-Meis et al.	....	D10/32
D611,842 S	* 3/2010	Parmigiani	.....	D10/38
D633,812 S	3/2011	Yurman	.....	D10/32
D649,481 S	* 11/2011	Crocco	.....	D10/39
D657,697 S	4/2012	Lammers-Meis et al.	....	D10/38
D658,079 S	4/2012	Emch	.....	D10/38
D658,518 S	5/2012	Behling	.....	D10/39
D660,726 S	5/2012	Register et al.	.....	D10/38
D660,727 S	5/2012	Parmigiani	.....	D10/38
D661,206 S	6/2012	Register et al.	.....	D10/38
D664,865 S	8/2012	Luk Ying Yee	.....	D10/38
D682,712 S	5/2013	Lammers-Meis et al.	....	D10/38
D725,497 S	3/2015	Henne et al.	.....	D10/38
D739,268 S	9/2015	Lammers-Meis	.....	D10/30
D740,136 S	10/2015	Henne et al.	.....	D10/30
D742,761 S	11/2015	Grazian et al.	.....	D10/30
D756,240 S	5/2016	Register et al.	.....	10/30
D772,081 S	11/2016	Lee et al.	.....	D10/30
D789,542 S	* 6/2017	Lillquist	.....	D24/167
D805,405 S	12/2017	Henne	.....	D10/30
D805,406 S	12/2017	Register	.....	D10/30
D806,581 S	1/2018	Register	.....	D10/30
D806,582 S	1/2018	Register	.....	D10/30

OTHER PUBLICATIONS

U.S. Appl. No. 29/552,623, filed Jan. 25, 2016 entitled Watch With Display.  
 Garmin Forerunner 405, published Jan. 2008.  
 Garmin Forerunner 610, published Mar. 2011.  
 Printout from <http://consumer.huawei.com/en/wearables/huawei-watch/index.htm> published prior to Dec. 15, 2016.  
 Printout from <http://www.apple.com/watch/> published prior to Jan. 25, 2016.  
 Printout from <http://www.chrono24.com/hublot/formula-1-king-power-f1-ceramic-limited-sealed--id1818204.htm> published prior to Dec. 15, 2016.  
 Printout from <http://www.computerworld.com/article/2643100/moto-360-review-an-elegant-smartwatch-with-exceptional-features.html> published prior to May 8, 2015.  
 Printout from <http://www.cookoo2.com/> , published prior to May 21, 2015.  
 Printout from <http://www.lindewerdelin.com/products/watches/spidolite>, published prior to May 21, 2012.  
 Printout from [http://www.ralphlauren.fr/category/index.jsp?categoryId=53519341&ab=fr\\_FR\\_Watches\\_LP\\_Slot\\_5\\_S1](http://www.ralphlauren.fr/category/index.jsp?categoryId=53519341&ab=fr_FR_Watches_LP_Slot_5_S1) published prior to Dec. 15, 2016.  
 Printout from <http://www.suunto.com/en-US/Product-search/See-all-Sports-Watches/?sortBy=New&searchTerm=traverse&page=0> published prior to Dec. 15, 2016.  
 Printout from <http://www.tagheuer.com/int-en/luxury-watches/carrera/carrera-calibre-heuer-01-chronograph-titanium-43mm-grey-others-bracelet> published prior to Aug. 15, 2016.

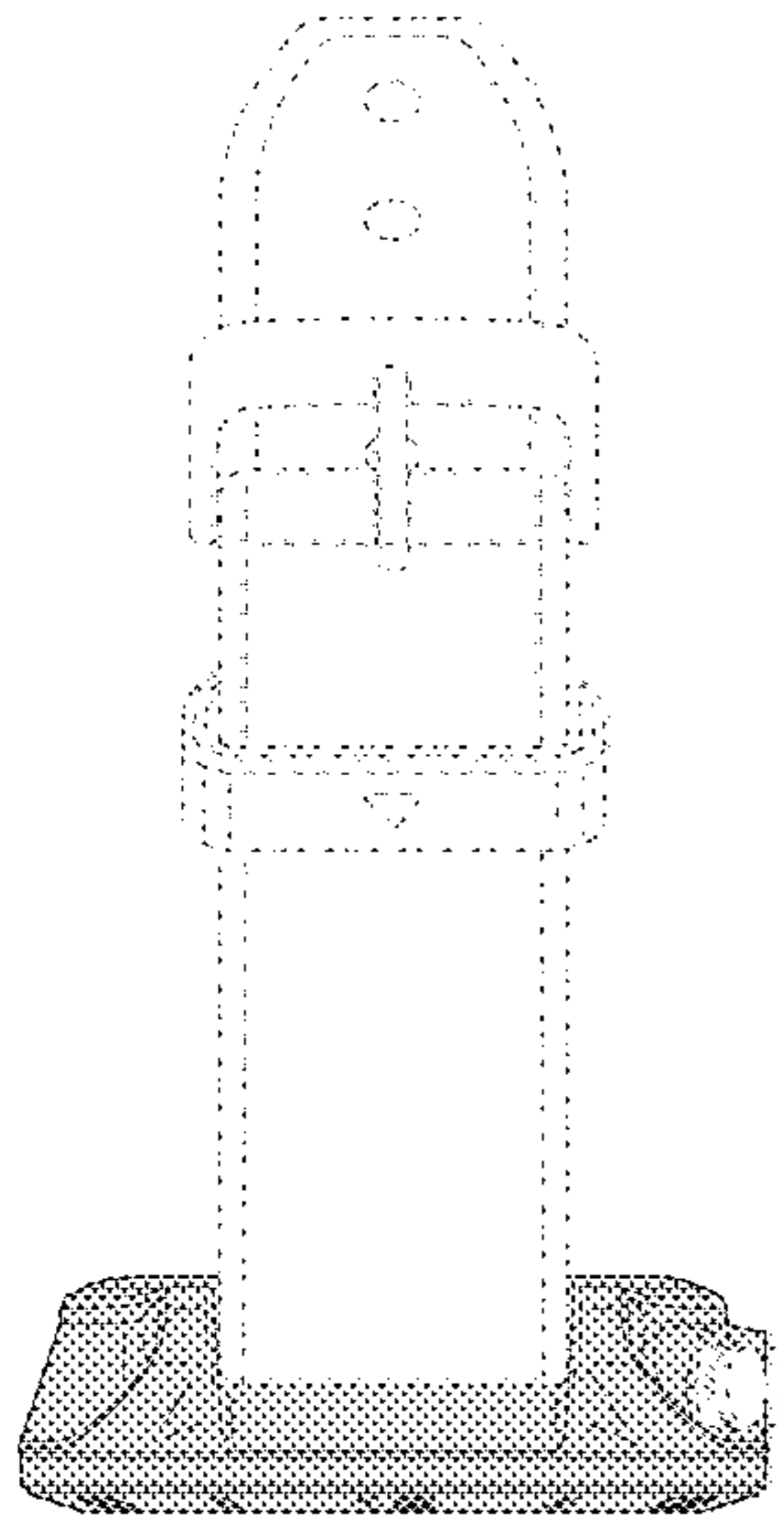
Printout from <http://www.tagheuer.com/int-en/luxury-watches/carrera/carrera-calibre-1867automatic-chronograph43-mm-black-steel-bracelet-car2a10-ba0799> , published prior to Aug. 15, 2016.  
 Printout from <http://www.t-touch.com/en-en/#!/t-touch-expert-solar> published prior to Dec. 15, 2016.  
 Printout from [https://jet.com/product/detail/fc92daab81424e10baa51759e0ea8729?icmp=pla-gal:NJ\\_dur\\_Cwin\\_Mens\\_Clothing\\_Shoes\\_Accessories\\_a1.Mens\\_Clothing\\_Shoes\\_Accessories\\_Mens\\_Watches\\_Mens\\_Watches\\_a1:na:PLA\\_791051016\\_46779163368\\_pla-322827945084:na:na:na:2&code=PLA15](https://jet.com/product/detail/fc92daab81424e10baa51759e0ea8729?icmp=pla-gal:NJ_dur_Cwin_Mens_Clothing_Shoes_Accessories_a1.Mens_Clothing_Shoes_Accessories_Mens_Watches_Mens_Watches_a1:na:PLA_791051016_46779163368_pla-322827945084:na:na:na:2&code=PLA15) published prior to Apr. 6, 2017.  
 Printout from <https://www.amazon.com/Salvatore-Ferragamo-F55LGO6877-S113-Carbon/dp/B007O20FO8> published prior to Apr. 6, 2017.  
 Printout from <https://www.amazon.com/Welder-K28-7100-Chronograph-Ion-Plated-Stainless/dp/B001PRFJOY> published prior to Dec. 15, 2016.  
 Printout from [https://www.asus.com/ZenWatch/ASUS\\_ZenWatch\\_W1500Q/](https://www.asus.com/ZenWatch/ASUS_ZenWatch_W1500Q/) published prior to Jan. 25, 2016.  
 Printout from <https://www.audemarspiquet.com/en/watch-collection/royal-oak-offshore/> published prior to Dec. 15, 2016.  
 Printout from [https://www.bioomingdales.com/shop/product/g-shock-g-steel-53.8mm?ID=2725010&pla\\_country=US&cm\\_mmc=Google-PLA-ADC-\\_-Jewelry%20%26%20Accessories-NA-\\_-G-shock-\\_-869232168203USA&CAWELAID=120156070005934945&CAGPSPN=pla&CAAGID=47685648719&CATCI=pla-383074889643&CATARGETID=120156070006241384&cadevice=c&gclid=EAlalOobChMlvMbeIL3B1wIVk6DsCh3QDwnMEAQ-YASABEqJNgvD\\_BwE](https://www.bioomingdales.com/shop/product/g-shock-g-steel-53.8mm?ID=2725010&pla_country=US&cm_mmc=Google-PLA-ADC-_-Jewelry%20%26%20Accessories-NA-_-G-shock-_-869232168203USA&CAWELAID=120156070005934945&CAGPSPN=pla&CAAGID=47685648719&CATCI=pla-383074889643&CATARGETID=120156070006241384&cadevice=c&gclid=EAlalOobChMlvMbeIL3B1wIVk6DsCh3QDwnMEAQ-YASABEqJNgvD_BwE), published prior to Dec. 15, 2016.  
 Printout from <https://www.cnet.com/products/lg-g-watch/review/> published prior to Jan. 25, 2016.  
 Printout from <https://www.omegawatches.com/watch-omega-speedmaster-moonwatch-professional-chronograph-42-mm-31133423001002> published prior to Apr. 6, 2017.  
 Printout from <https://www.sonymobile.com/global-en/products/smart-products/smartwatch-3-swr50/> published prior to Jan. 25, 2016.  
 Printout from [www.dcrainmaker.com/2012/04/suunto-ambit-in-depth-review.html](http://www.dcrainmaker.com/2012/04/suunto-ambit-in-depth-review.html) published prior to Sep. 29, 2015.  
 Printout from [www.suunto.com/en-US/Products/Sports-Watches/Suunto-Ambit2/Suunto-Ambit2-Black/](http://www.suunto.com/en-US/Products/Sports-Watches/Suunto-Ambit2/Suunto-Ambit2-Black/) published prior to Sep. 29, 2015.  
 Printout from [www.theaaronloy.com/wp-content/uploads/2013/07/Casio-MT-G-G-Shock-Watch.jpg](http://www.theaaronloy.com/wp-content/uploads/2013/07/Casio-MT-G-G-Shock-Watch.jpg) published prior to Sep. 29, 2015.  
 Printout from [www.watchtowhat.com/wp-content/uploads/2015/03/casio-edifice-8.jpg](http://www.watchtowhat.com/wp-content/uploads/2015/03/casio-edifice-8.jpg) published prior to Sep. 29, 2015.  
 Printout from <https://www.suunto.com/en-us/Sports-Watch-Collections/Suunto-Core-Collection> published prior to Apr. 6, 2017.  
 Printout from <https://www.suunto.com/en-us/Products/Sports-Watches/Suunto-Elementum-Ventus/Suunto-Elementum-Ventus-Brown-Leather>; published prior to Apr. 6, 2017.  
 Printout from <http://www.gpsrunningwatchreview.com/reviews/suunto-x10-review>; published Nov. 2010.  
 Printout from <http://practicaltravelgear.blogspot.com/2008/07/timex-expedition-e-compass-titanium.html> published Jul. 2008.  
 Printout from <https://www.tissotwatches.com/en-gb/shop/tissot-t-touch-ii-titanium-gent-3.html> published prior to Apr. 6, 2017.

\* cited by examiner



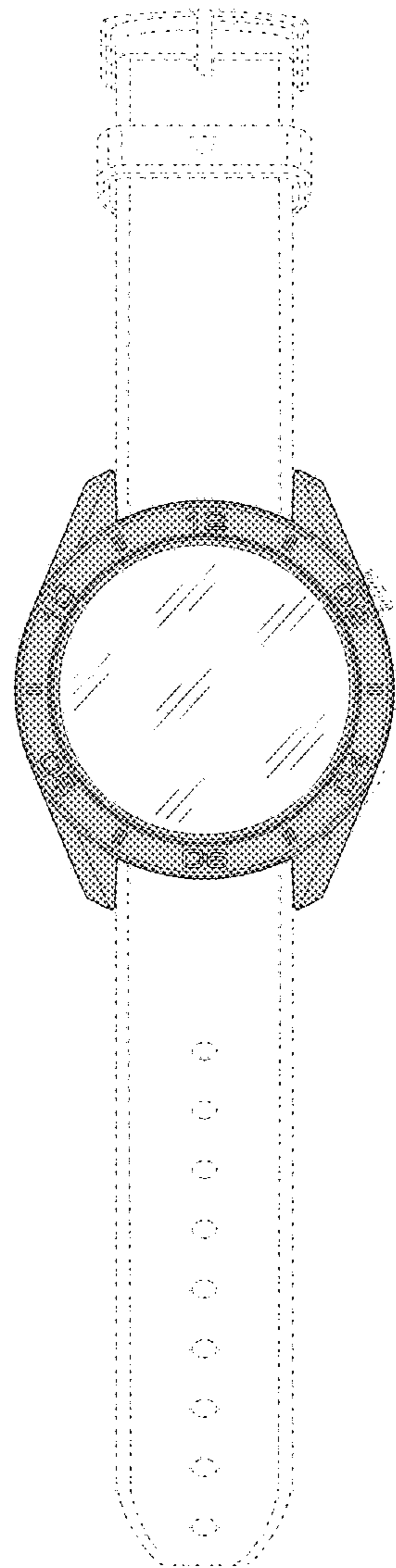
*Fig. 1*

*Fig. 2*

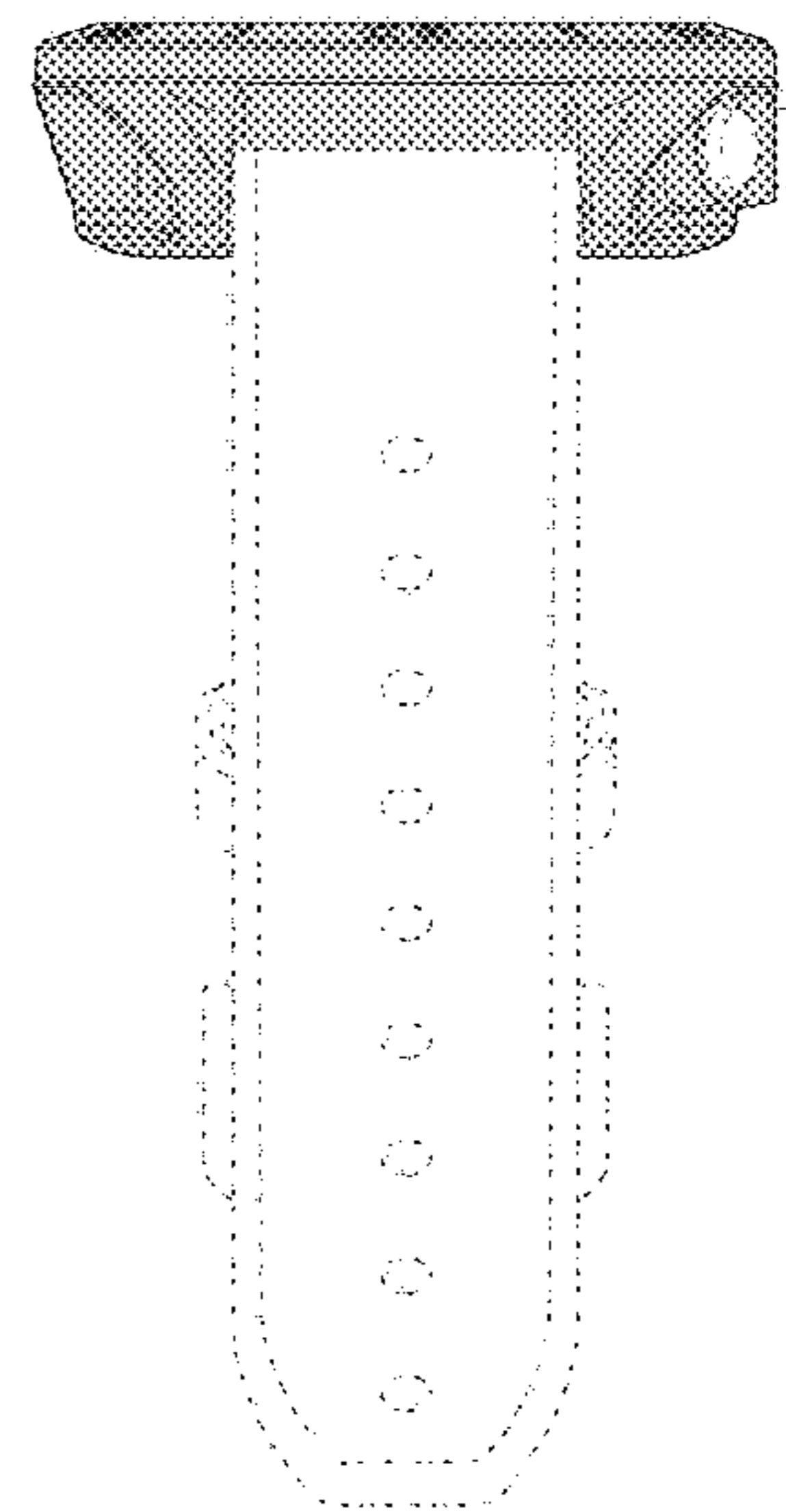


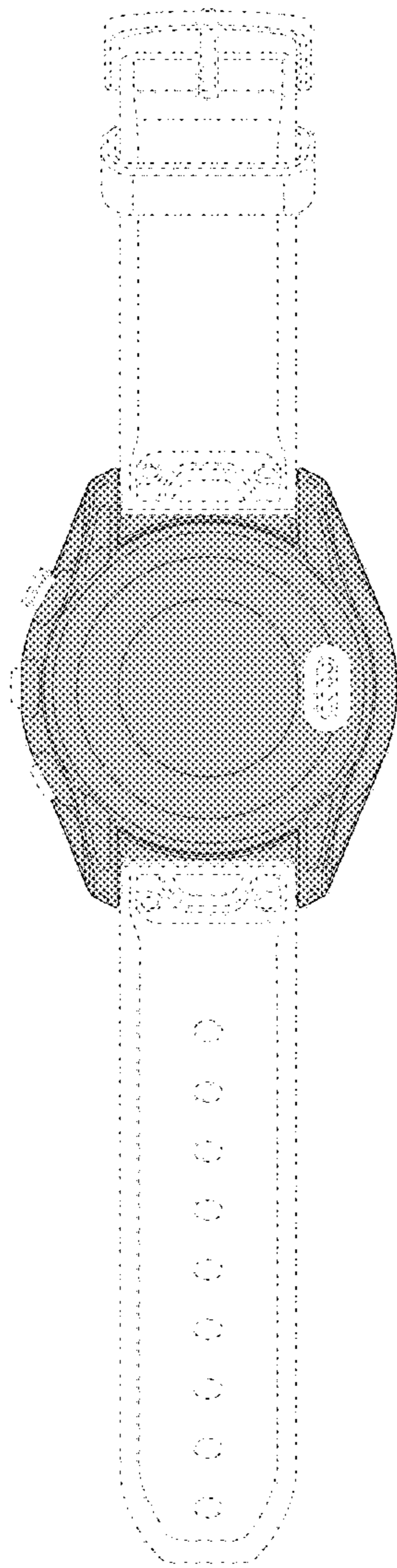
*Fig. 3*

*Fig. 4*

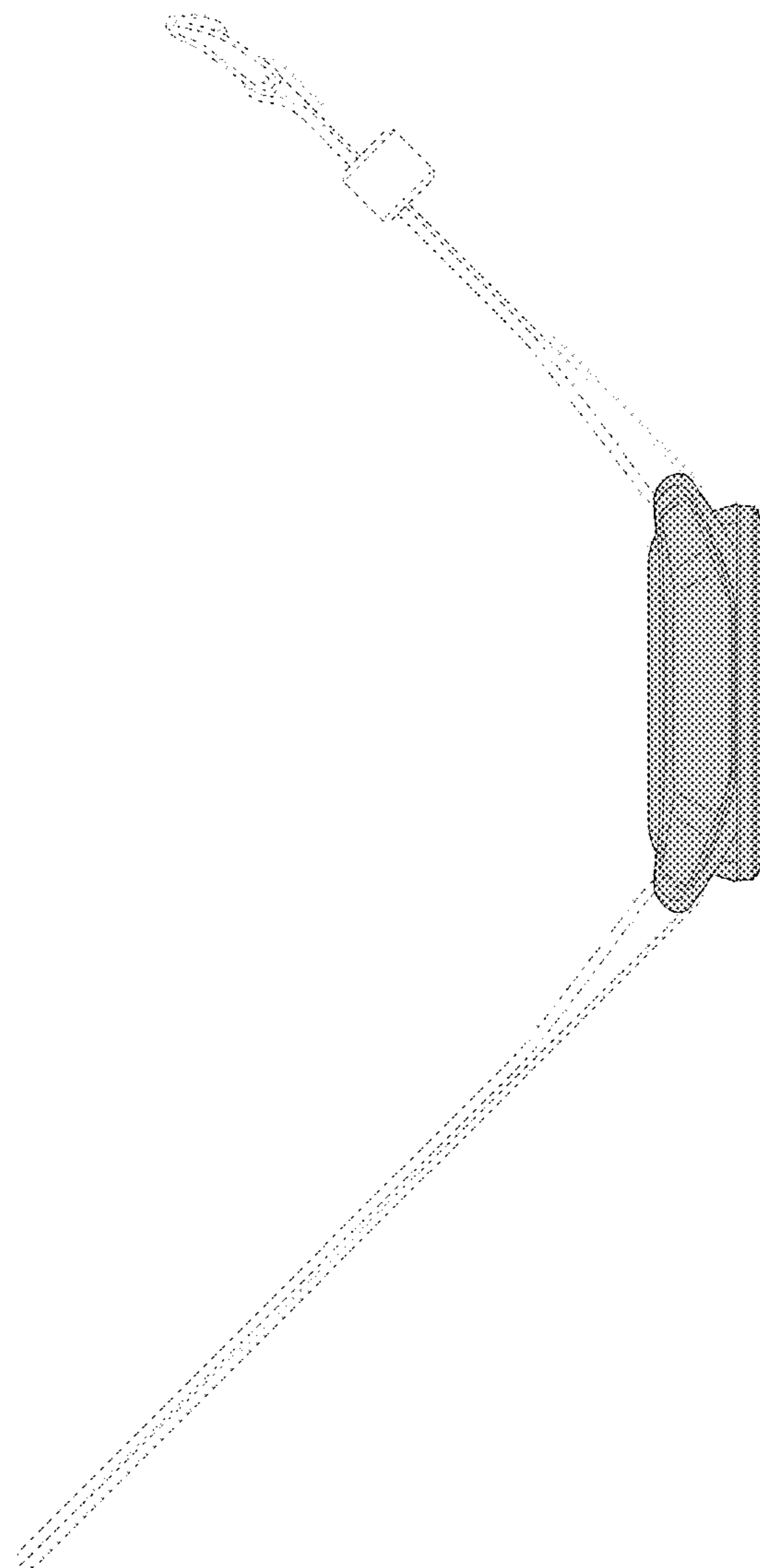


*Fig. 5*

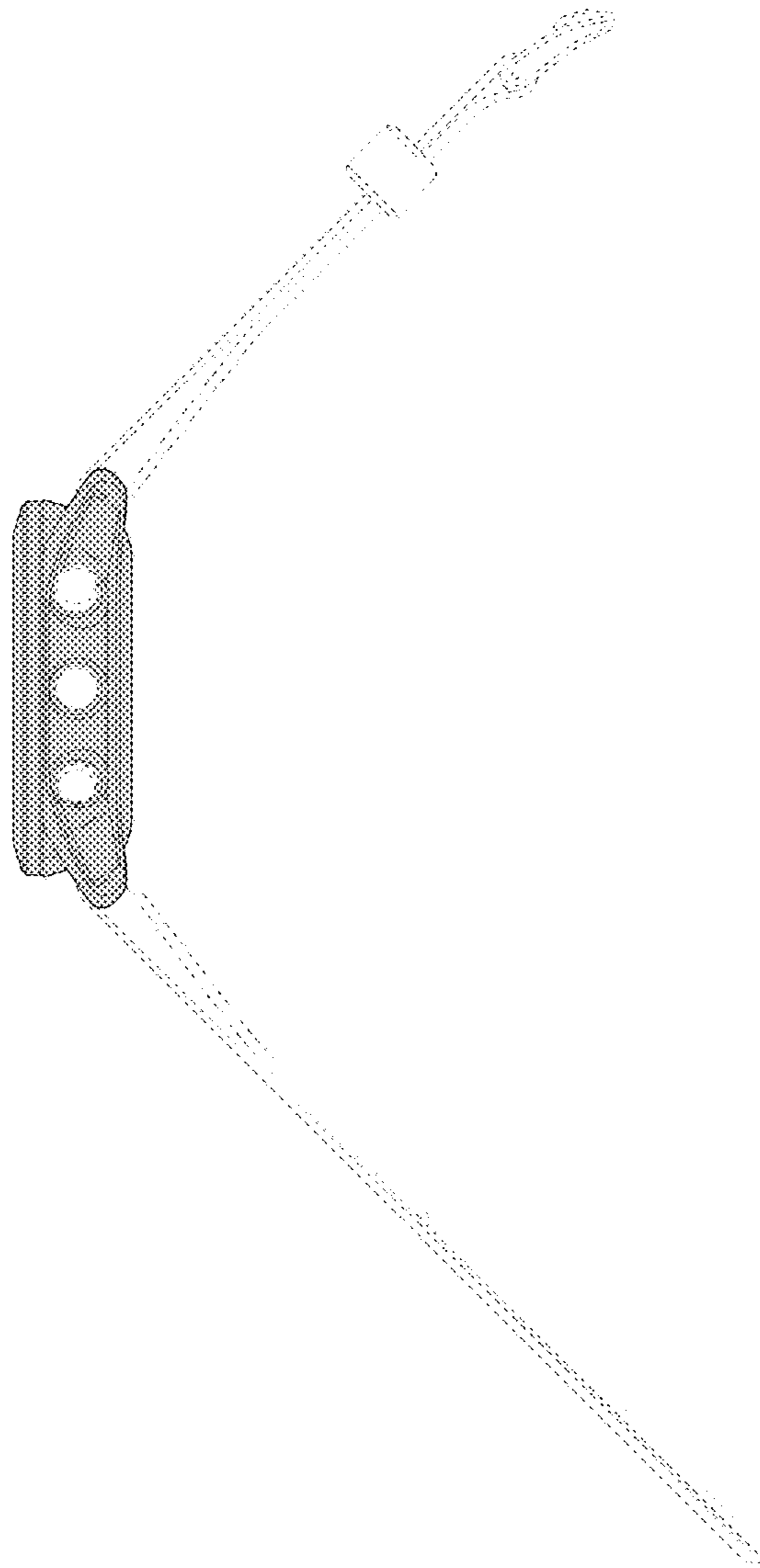




*Fig. 6*



*Fig. 7*



*Fig. 8*