



US00D836460S

(12) **United States Design Patent** (10) **Patent No.:** **US D836,460 S**  
**Roesler** (45) **Date of Patent:** **\*\* Dec. 25, 2018**

(54) **PACKAGING CONTAINER**  
(71) Applicant: **Thiemo Roesler**,  
Wangen-Neuravensburg (DE)  
(72) Inventor: **Thiemo Roesler**,  
Wangen-Neuravensburg (DE)  
(73) Assignee: **Roesler IP GmbH** (DE)  
(\*\*) Term: **15 Years**  
(21) Appl. No.: **29/625,561**  
(22) Filed: **Nov. 10, 2017**  
(30) **Foreign Application Priority Data**  
May 12, 2017 (EM) ..... 003998145  
(51) **LOC (11) Cl.** ..... **09-01**  
(52) **U.S. Cl.**  
USPC ..... **D9/730; D9/424**  
(58) **Field of Classification Search**  
USPC ..... D9/414, 430, 715, 721, 730-732;  
D3/201, 203.1, 203.2, 273, 294; D7/601,  
D7/602  
CPC .... B65D 71/36; B65D 83/38; B65D 83/0805;  
B65D 47/243; B65D 2571/0045; B65D  
35/08; B65D 2575/586; B65D 83/00;  
B65D 83/04; B65D 35/28; B65D  
41/0485; B65D 83/20; B65D 83/68;  
B65D 85/60; B65D 2231/00; B65D  
2571/00444; B65D 51/249  
See application file for complete search history.

(56) **References Cited**  
U.S. PATENT DOCUMENTS  
D316,789 S \* 5/1991 McLaughlin ..... D6/522  
D349,240 S \* 8/1994 Booten ..... D9/422  
D362,145 S \* 9/1995 Nolen ..... D6/523

5,509,593 A \* 4/1996 Bloch ..... A47K 10/32  
221/34  
5,660,636 A \* 8/1997 Shangold ..... A47K 10/32  
118/419  
6,003,669 A \* 12/1999 Baricevic ..... B65D 33/002  
206/408  
6,024,323 A \* 2/2000 Palermo, Jr. .... B65D 85/672  
242/588.6  
D423,263 S \* 4/2000 King ..... D6/518  
6,446,808 B1 \* 9/2002 Paul ..... A47K 10/3827  
206/205  
D530,911 S \* 10/2006 Guitay ..... D3/273  
D534,794 S \* 1/2007 Åkeson ..... D27/175  
D591,171 S \* 4/2009 Kanbar ..... D9/730  
D600,959 S \* 9/2009 Serfaty ..... D6/518  
D616,233 S \* 5/2010 Yang ..... D6/518  
D623,453 S \* 9/2010 Benedetti ..... D6/518  
D712,749 S \* 9/2014 Robertson ..... D9/730  
D793,118 S \* 8/2017 Li ..... D6/518  
2002/0162848 A1 \* 11/2002 Na ..... A47K 10/38  
221/63  
2003/0218040 A1 \* 11/2003 Faulks ..... A47K 10/3827  
225/1  
2008/0087680 A1 \* 4/2008 Amundson ..... A47K 10/38  
221/150 R

(Continued)

*Primary Examiner* — Lauren R Calve  
(74) *Attorney, Agent, or Firm* — Cohen & Grigsby, P.C.

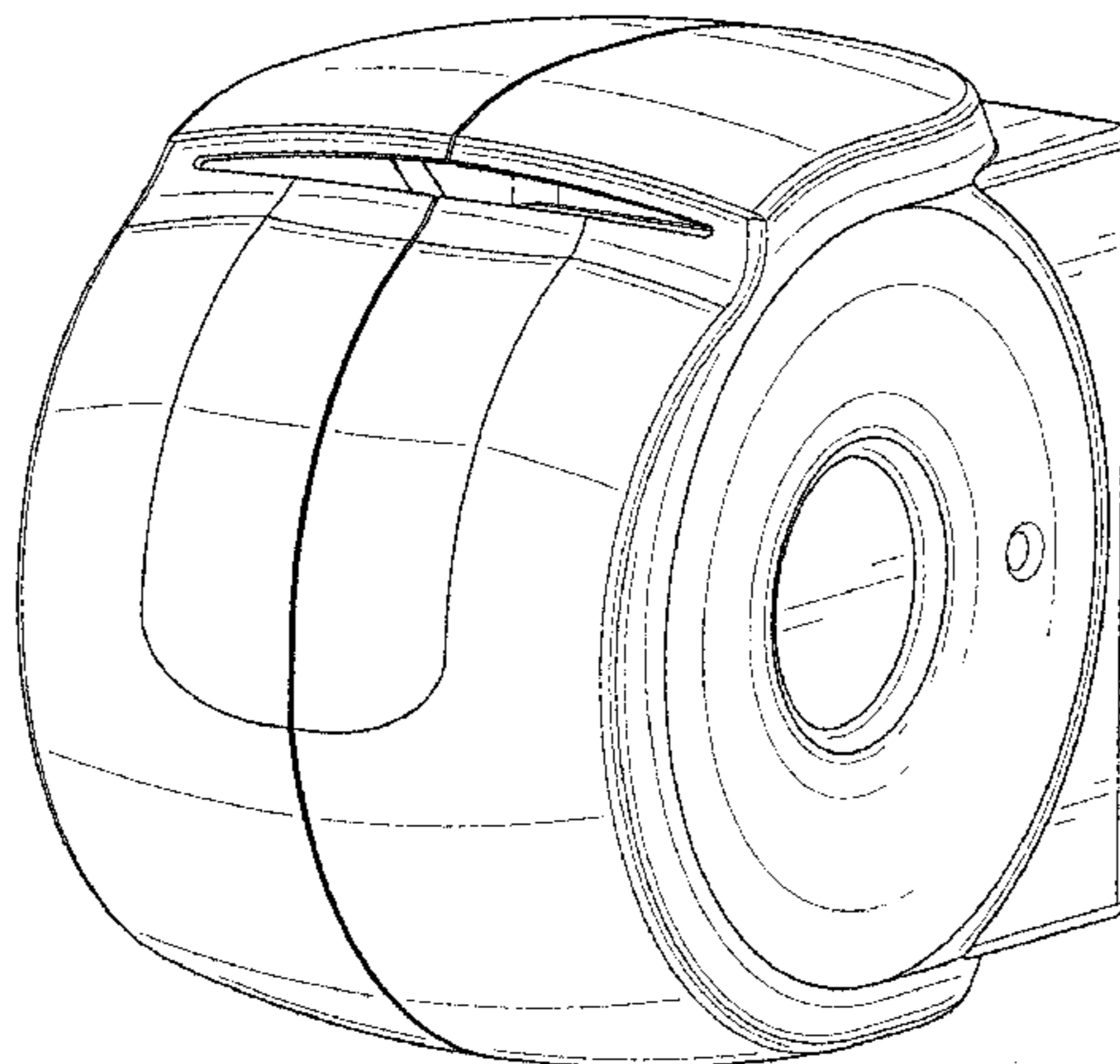
(57) **CLAIM**

An ornamental design for a packaging container, as shown and described.

**DESCRIPTION**

FIG. 1 is a front view of a packaging container.  
FIG. 2 is a front view of the packaging container.  
FIG. 3 is a rear view of the packaging container.  
FIG. 4 is left side view of the packaging container.  
FIG. 5 is a right side view of the packaging container.  
FIG. 6 is a top view of the packaging container; and,  
FIG. 7 is a bottom view of the packaging container.

**1 Claim, 7 Drawing Sheets**



(56)

**References Cited**

U.S. PATENT DOCUMENTS

2012/0273543 A1 \* 11/2012 Shepherd ..... B65H 35/10  
225/106

\* cited by examiner

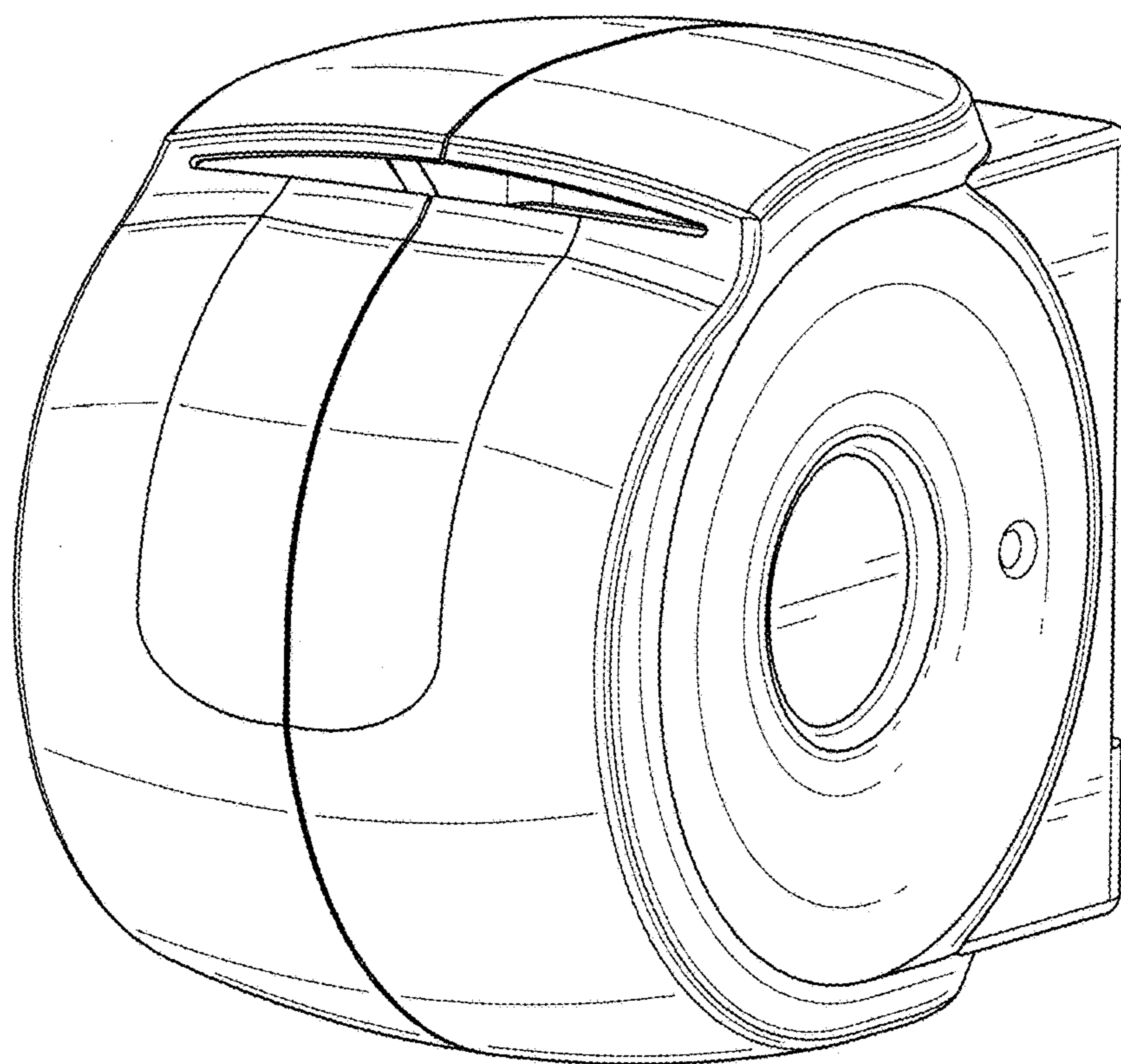


FIG. 1

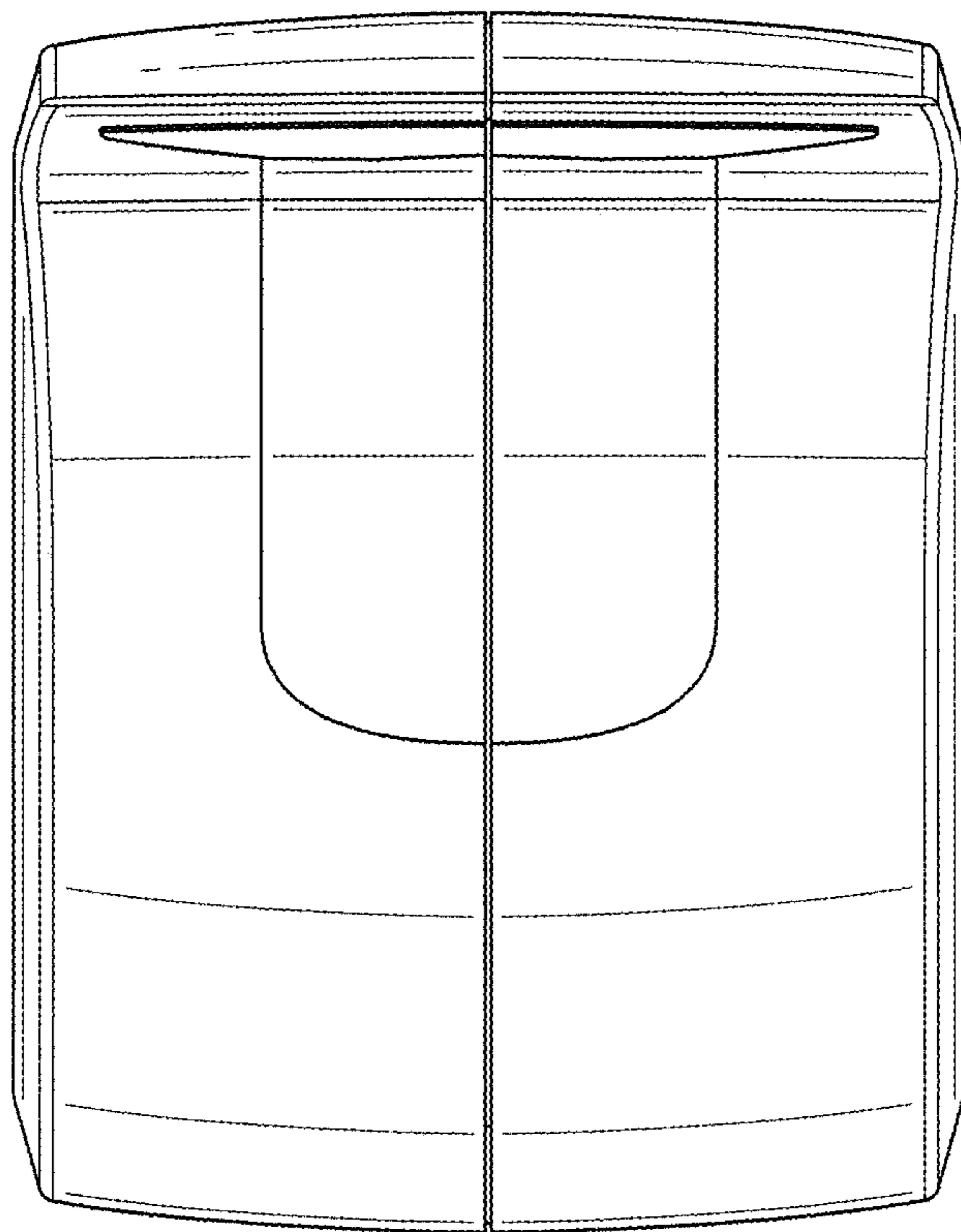


FIG. 2

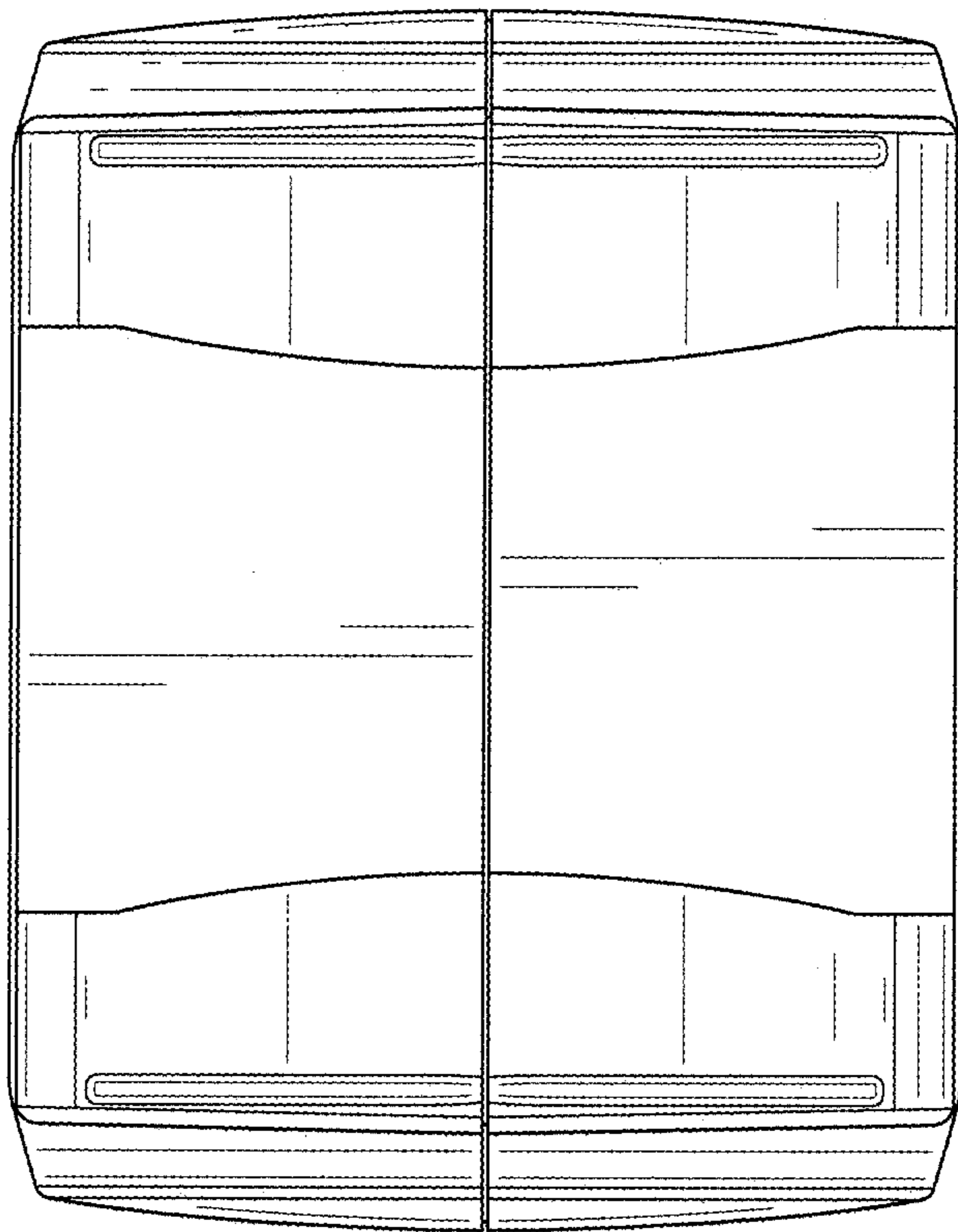


FIG. 3

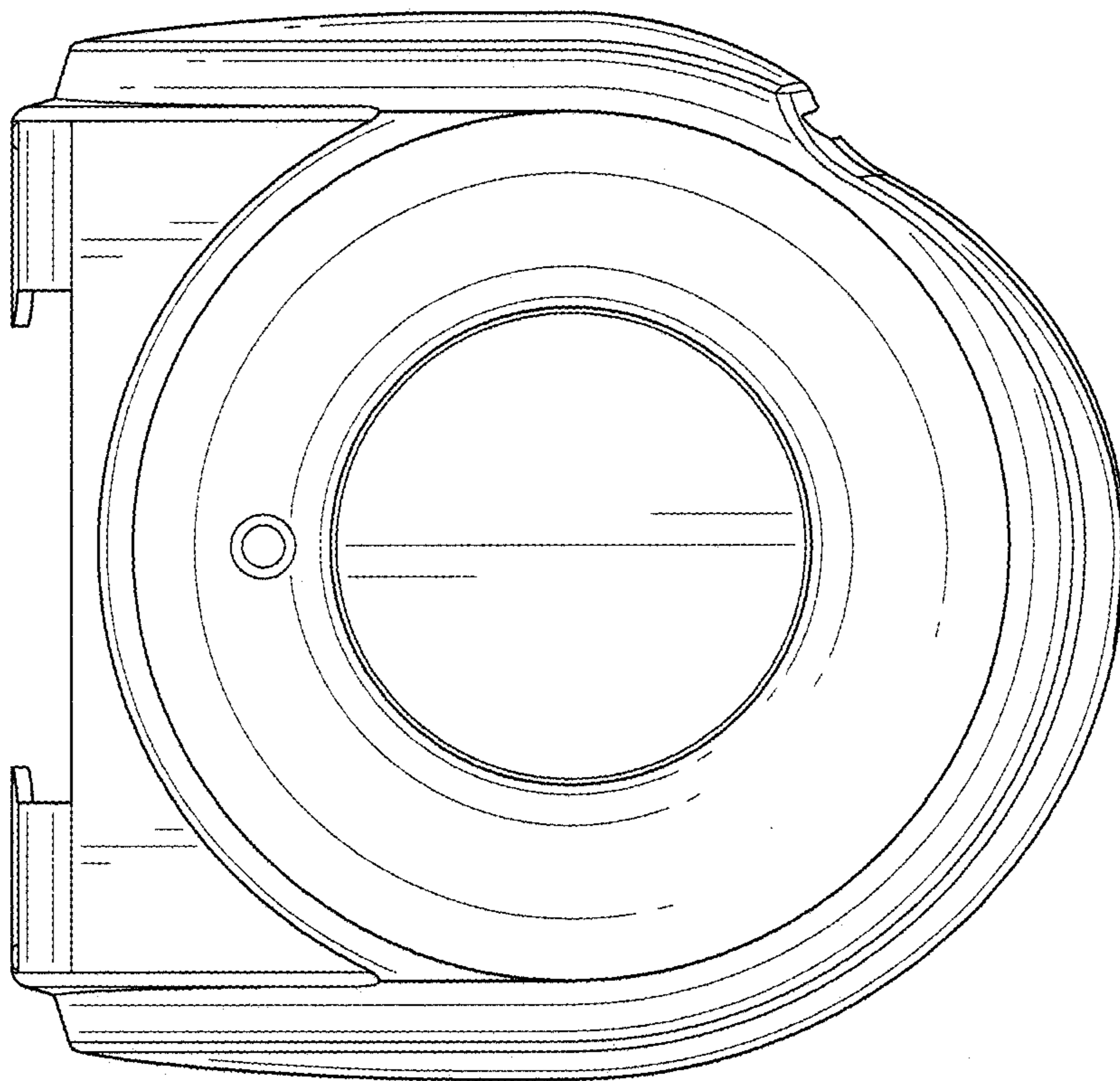


FIG. 4

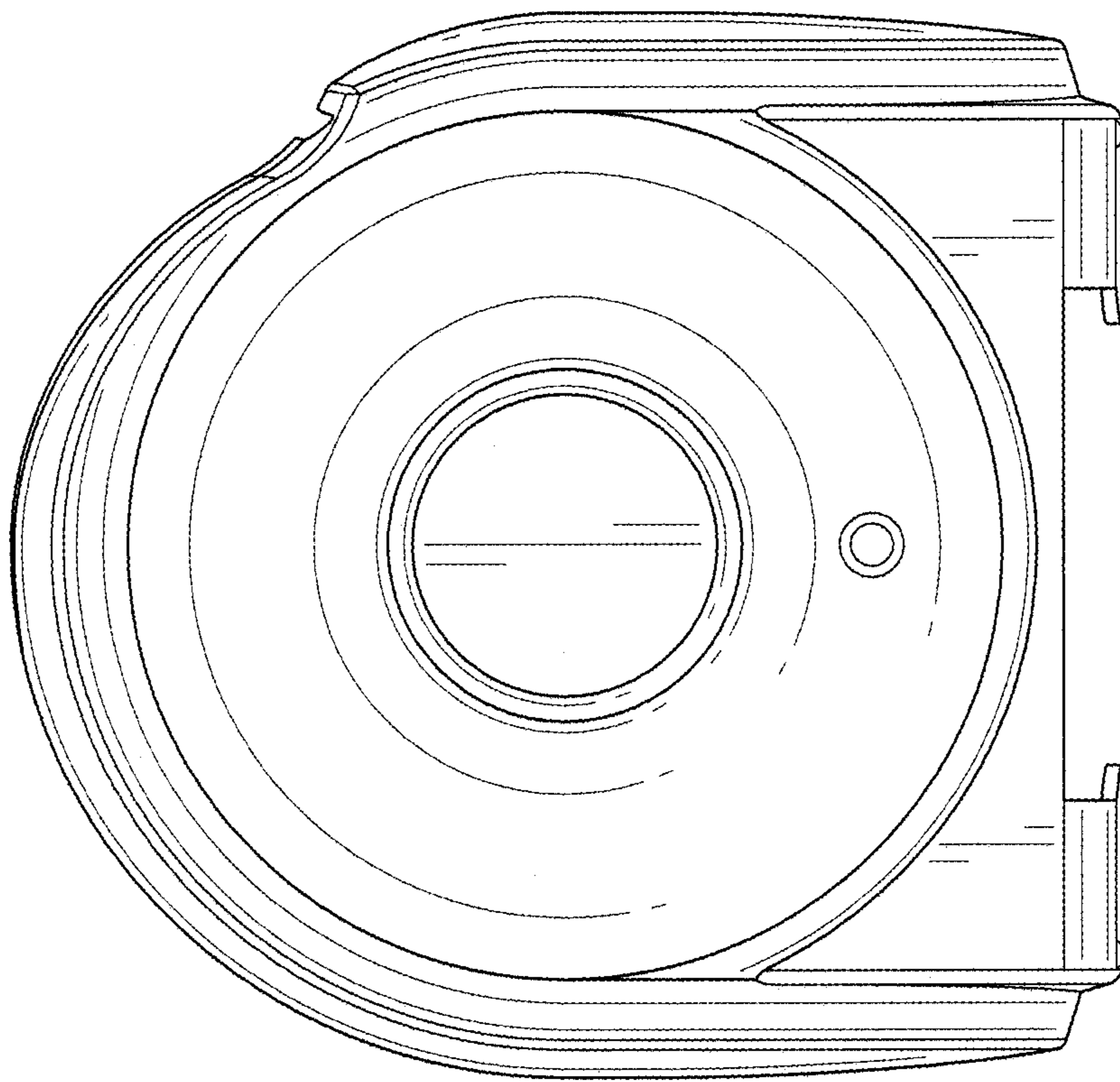


FIG. 5

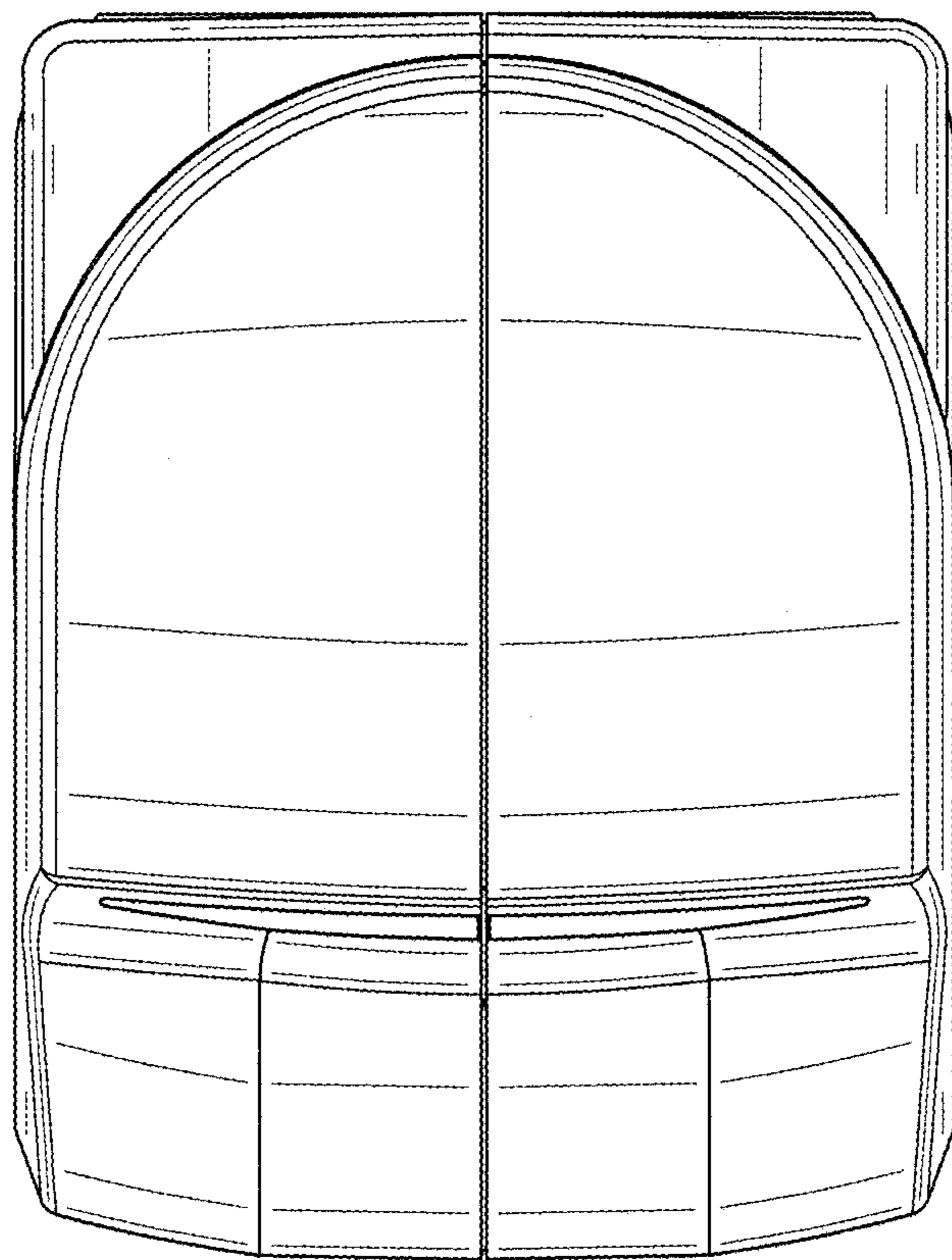


FIG. 6



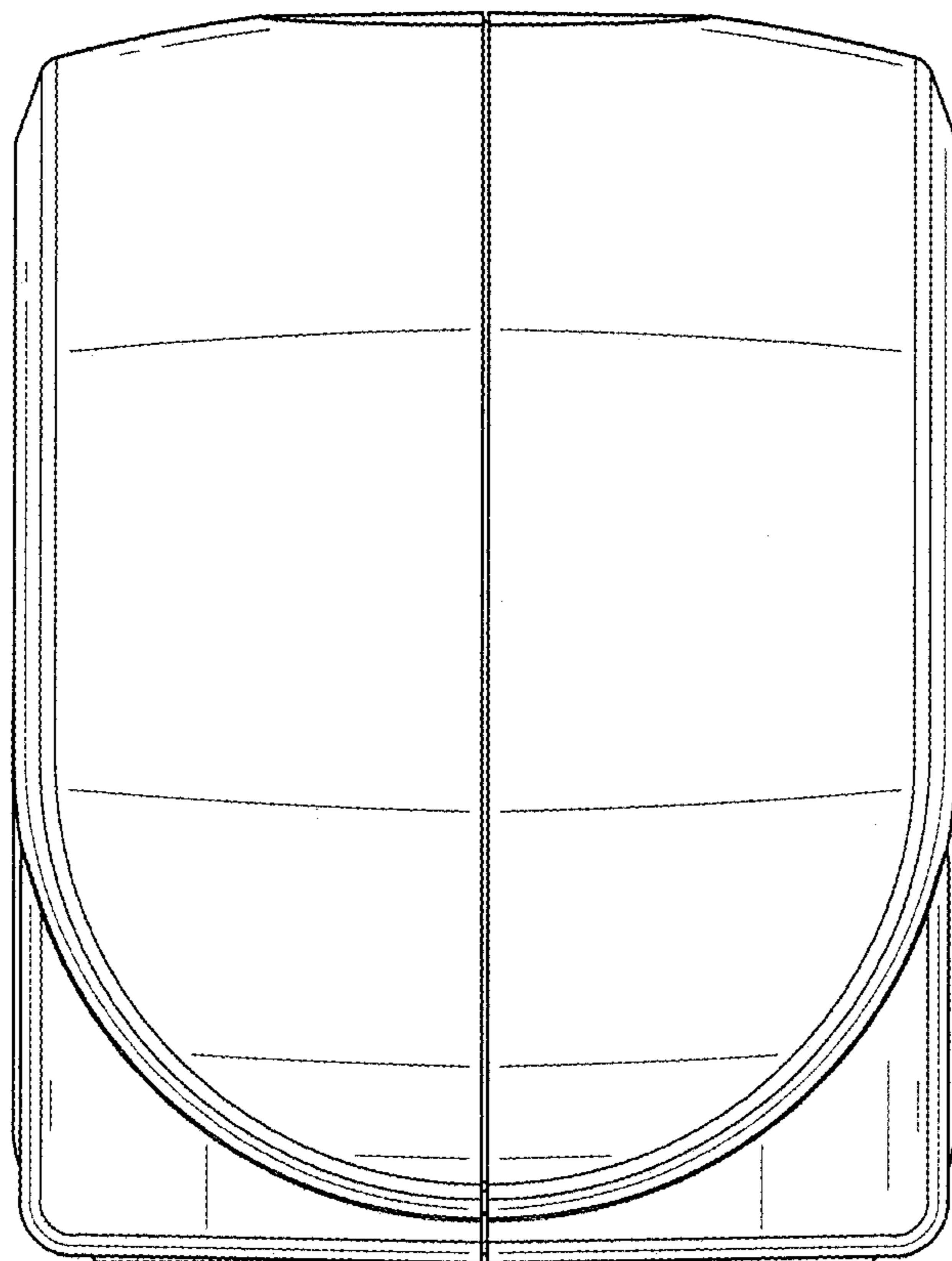


FIG. 7