



US00D836459S

(12) **United States Design Patent**
Thuesen et al.

(10) **Patent No.:** **US D836,459 S**

(45) **Date of Patent:** **** Dec. 25, 2018**

- (54) **BOTTLE AND DOSAGE CUP ASSEMBLY**
- (71) Applicant: **DXM Pharmaceutical, Inc.**, Katy, TX (US)
- (72) Inventors: **Mark Lawrence Thuesen**, Katy, TX (US); **Steve Shane Sanders**, Lake Charles, LA (US); **Norvan Biglarians**, Houston, TX (US)
- (73) Assignee: **DXM Pharmaceutical, Inc.**, Katy, TX (US)
- (**) Term: **15 Years**
- (21) Appl. No.: **29/639,497**
- (22) Filed: **Mar. 6, 2018**
- (51) **LOC (11) Cl.** **09-01**
- (52) **U.S. Cl.**
USPC **D9/716**
- (58) **Field of Classification Search**
USPC D9/500, 503, 504, 529, 716; D7/630
CPC B65D 41/26; B65D 51/28; B65D 83/38;
B65D 1/0276; B65D 41/56; B65D 51/18;
B65D 51/249; B65D 1/265
See application file for complete search history.

(56) **References Cited**

U.S. PATENT DOCUMENTS

- 1,354,712 A * 10/1920 Altenberg A47J 41/0083
215/12.1
- 3,341,045 A * 9/1967 Sandler A47J 41/00
215/12.2
- 3,506,459 A * 4/1970 Parlour B65D 81/3205
206/807
- D253,395 S * 11/1979 Hasegawa D9/541
- D256,993 S * 9/1980 Strand D9/501
- D258,045 S * 1/1981 Collins D9/500
- D267,629 S * 1/1983 Hasegawa D9/504
- D274,981 S 8/1984 E Hoyt

- 4,998,649 A * 3/1991 Thanisch B65D 47/2012
222/212
- D345,921 S * 4/1994 Frank D9/454
- D405,371 S * 2/1999 Herr D9/443
- D405,372 S * 2/1999 Yucknut D9/504
- D409,451 S * 5/1999 Kato D7/608
- D452,824 S * 1/2002 Bezek D9/502
- D544,351 S * 6/2007 Dittmer D9/446
- D611,346 S * 3/2010 Camomile D9/504
- D622,615 S 8/2010 Tune et al.
- D647,402 S * 10/2011 Uribe Juarez D9/504
- 8,113,364 B1 * 2/2012 Asadi A61J 9/008
215/11.1
- D677,570 S * 3/2013 Cueto D9/504
- D698,650 S * 2/2014 Marchant D9/503
- D785,455 S 5/2017 James et al.
- 2006/0180594 A1 * 8/2006 Thadani A47J 41/0061
220/737
- 2010/0230375 A1 * 9/2010 Gruenwald B65D 51/18
215/228

(Continued)

Primary Examiner — Lauren R Calve

(74) *Attorney, Agent, or Firm* — Keith B. Willhelm

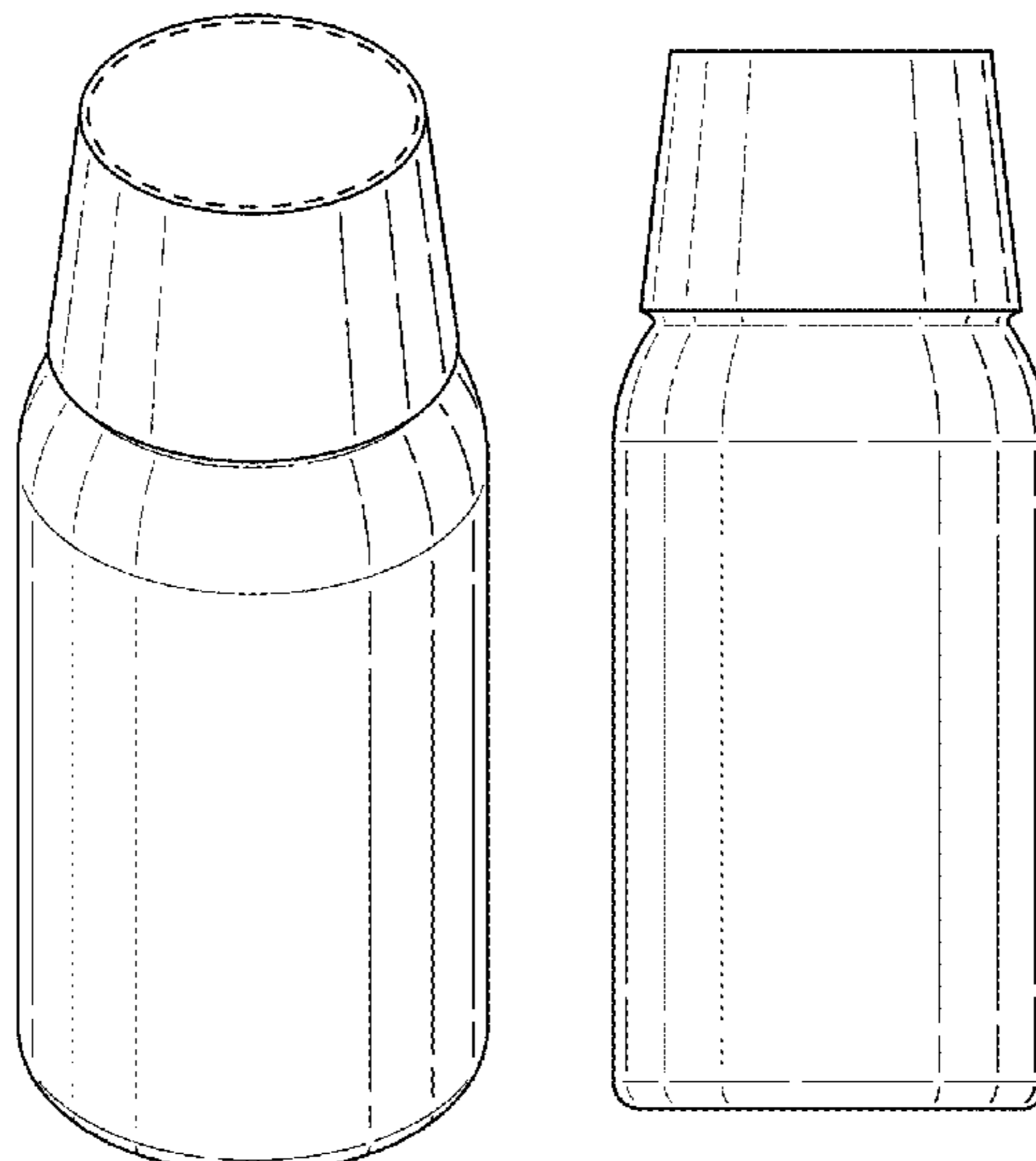
(57) **CLAIM**

The ornamental design for a bottle and dosage cup assembly, as shown and described.

DESCRIPTION

FIG. 1 is a top, front isometric view of a bottle and dosage cup assembly according to the novel design. FIG. 2 is a front view thereof, the right side, left side, and rear views being identical thereto. FIG. 3 is a top view thereof; and, FIG. 4 is a bottom view thereof. Surface shading is used in the drawings to show contour in the design that otherwise might not be apparent in a particular figure. The broken lines show portions of the bottle and dosage cup assembly which form no part of the claimed design.

1 Claim, 1 Drawing Sheet



(56)

References Cited

U.S. PATENT DOCUMENTS

2017/0349328 A1* 12/2017 Borneman B65D 83/303
2018/0162610 A1* 6/2018 Kim B65D 47/246

* cited by examiner

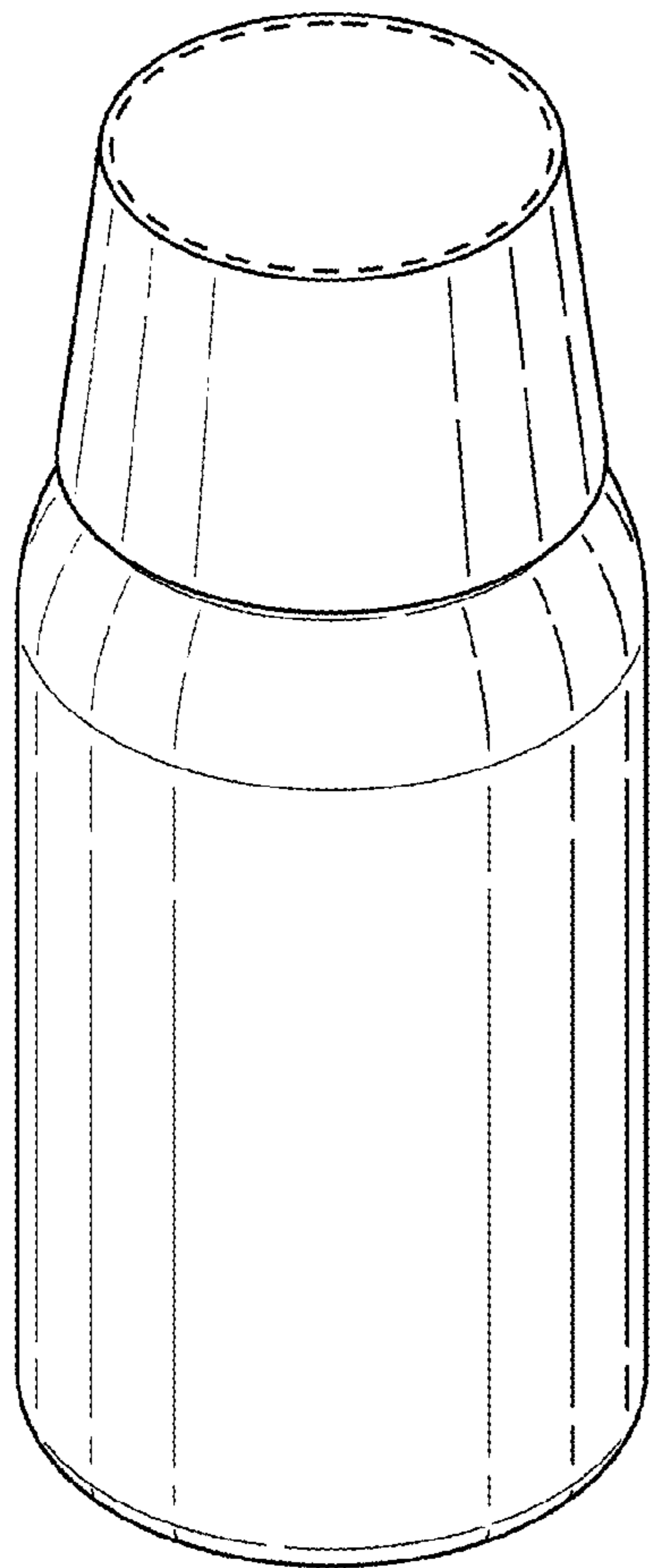


FIG. 1

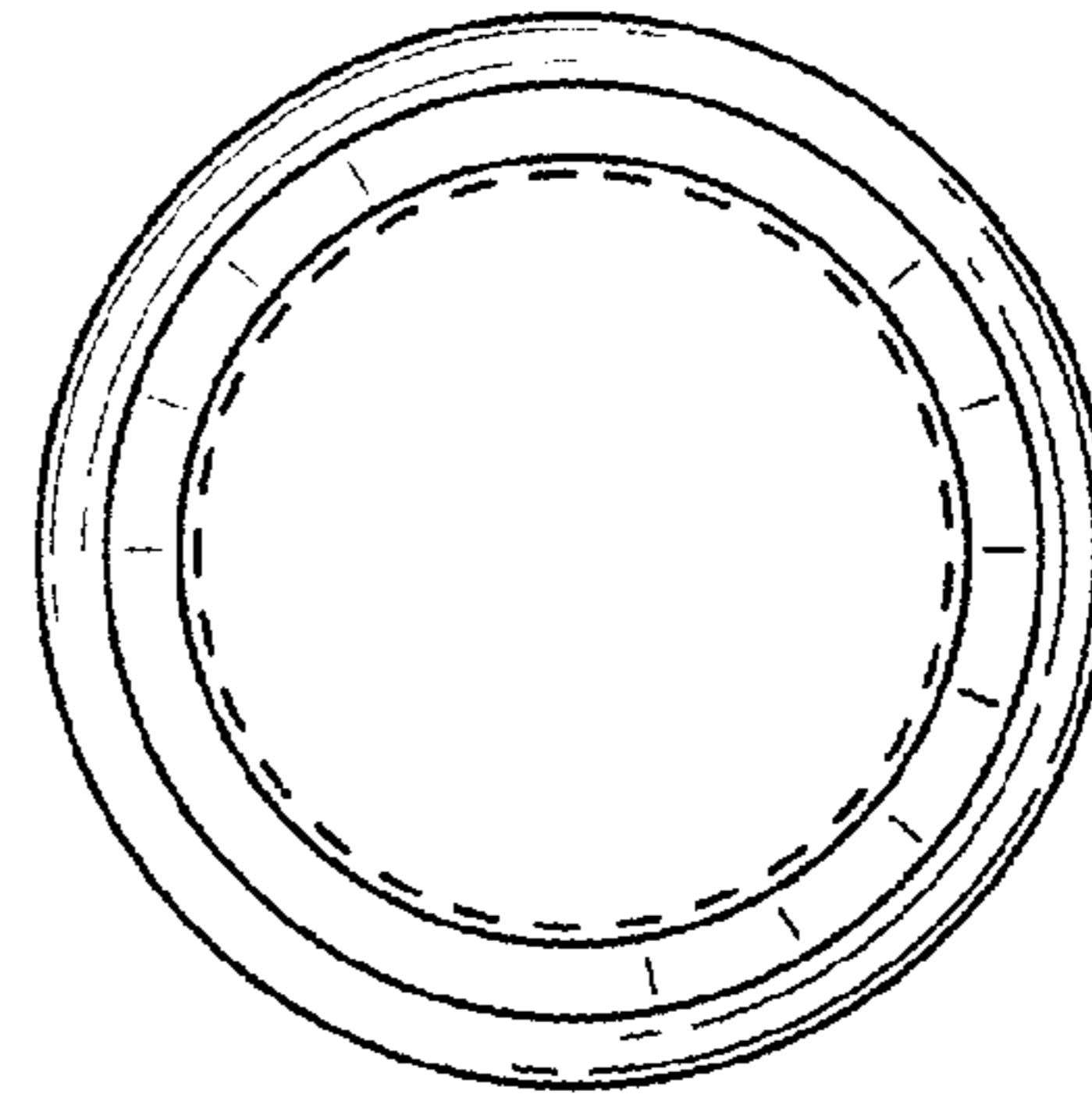


FIG. 3

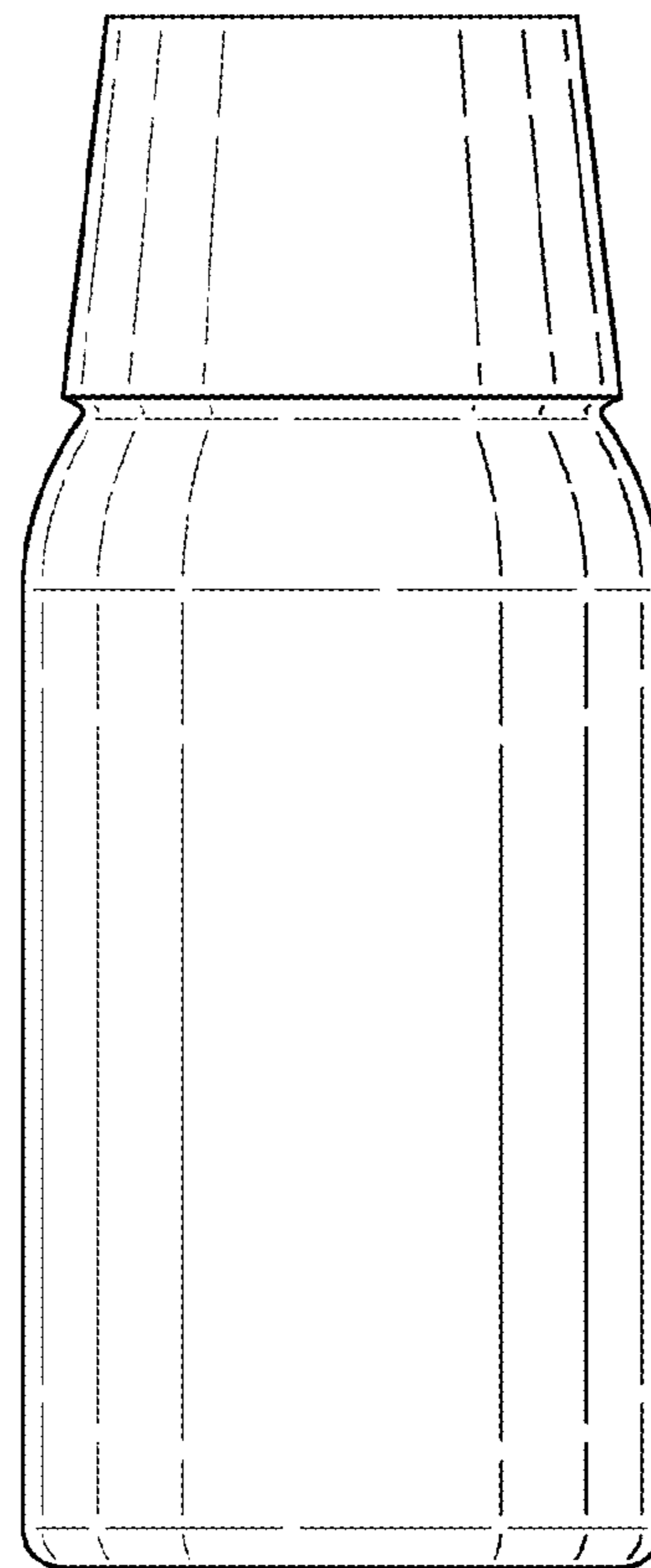


FIG. 2

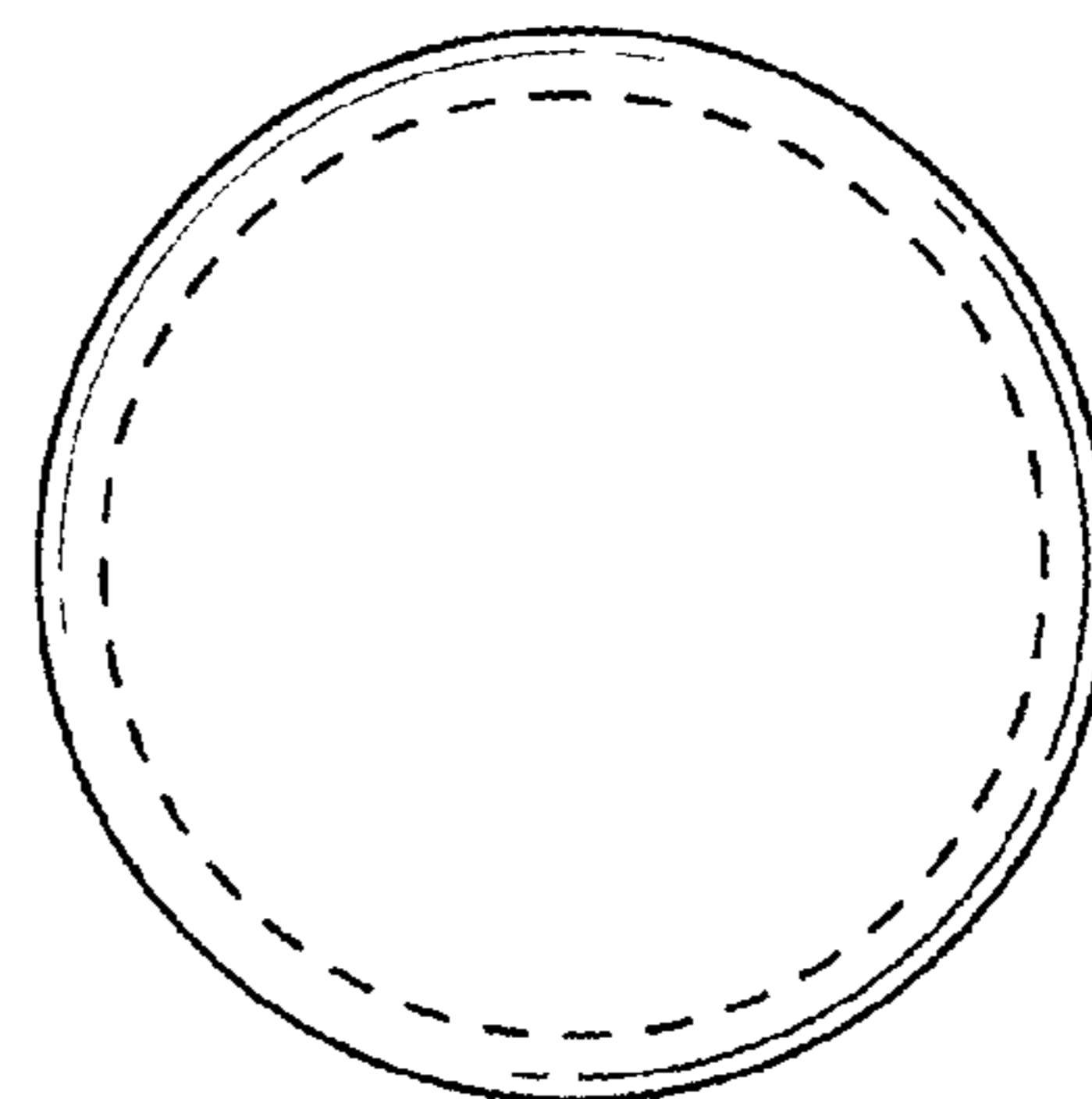


FIG. 4