

US00D836454S

(12) **United States Design Patent**
Caly

(10) **Patent No.:** **US D836,454 S**

(45) **Date of Patent:** **** Dec. 25, 2018**

(54) **CHERRY TOMATOES-SHAPED CONTAINER**

(71) Applicant: **VACO PAK INDUSTRIES LTD.,**
Yahud (IL)

(72) Inventor: **Roy Caly, Kibbutz Yakum (IL)**

(73) Assignee: **VACO PAK INDUSTRIES LTD.,**
Yahud (IL)

(**) Term: **15 Years**

(21) Appl. No.: **29/599,855**

(22) Filed: **Apr. 7, 2017**

(51) **LOC (11) Cl.** **09-01**

(52) **U.S. Cl.**
USPC **D9/644; D9/429**

(58) **Field of Classification Search**
USPC D3/270, 271.1-271.4; D7/509-511,
D7/514-521, 576-577, 594, 599, 604,
D7/613, 619.2, 623, 628, 392.1; D9/600,
D9/643-647, 500-516, 523, 529,
D9/544-547, 414-434, 756-762;
206/457, 459.5, 527; 215/381-384, 400
CPC B65D 5/4258; B65D 81/60; B65D 81/365;
B65D 81/366; B65D 81/368; B65D
2203/00; B65D 2203/02; B65D 85/34
See application file for complete search history.

(56) **References Cited**

U.S. PATENT DOCUMENTS

D420,866 S * 2/2000 VanHalteren D7/675
D420,915 S * 2/2000 Reidenbach D9/645
D562,082 S * 2/2008 Ehrenhaus D7/628
D562,678 S * 2/2008 Shaver D9/425
D601,015 S * 9/2009 Shaver D9/425

D611,776 S * 3/2010 Yung D7/628
D621,699 S * 8/2010 Shaver D9/425
D650,244 S * 12/2011 Abrams D9/644
D782,334 S * 3/2017 Bishop D9/757

OTHER PUBLICATIONS

Village Farms Tomato on-the-vine package, dated Dec. 13, 2012.
<https://www.packagingoftheworld.com/2012/12/village-farms-rebrand.html>.*

Backyard Farms Cocktail Tomato Package, dated Mar. 28, 2016.
<https://cookingwithmamac.com/tomato-bruschetta-with-balsamic-glaze/>.*

* cited by examiner

Primary Examiner — Sandra L Morris

(74) *Attorney, Agent, or Firm* — Roach Brown McCarthy
& Gruber, P.C.; Kevin D. McCarthy

(57) **CLAIM**

The ornamental design for a cherry tomatoes-shaped container, as shown and described.

DESCRIPTION

FIG. 1 is an isometric view of a cherry tomatoes-shaped container of the applicant's design;

FIG. 2 is a view of FIG. 1 with the top section flipped open thereof;

FIG. 3 is a top view of FIG. 1;

FIG. 4 is a bottom view of FIG. 1;

FIG. 5 is a back view of FIG. 1;

FIG. 6 is a front view of FIG. 1;

FIG. 7 is a right side view of FIG. 1; and,

FIG. 8 is a left side view of FIG. 1.

The broken lines in FIGS. 2 and 4 are included for the purpose of illustrating a portion of the bottom that forms no part of the claimed design.

1 Claim, 4 Drawing Sheets

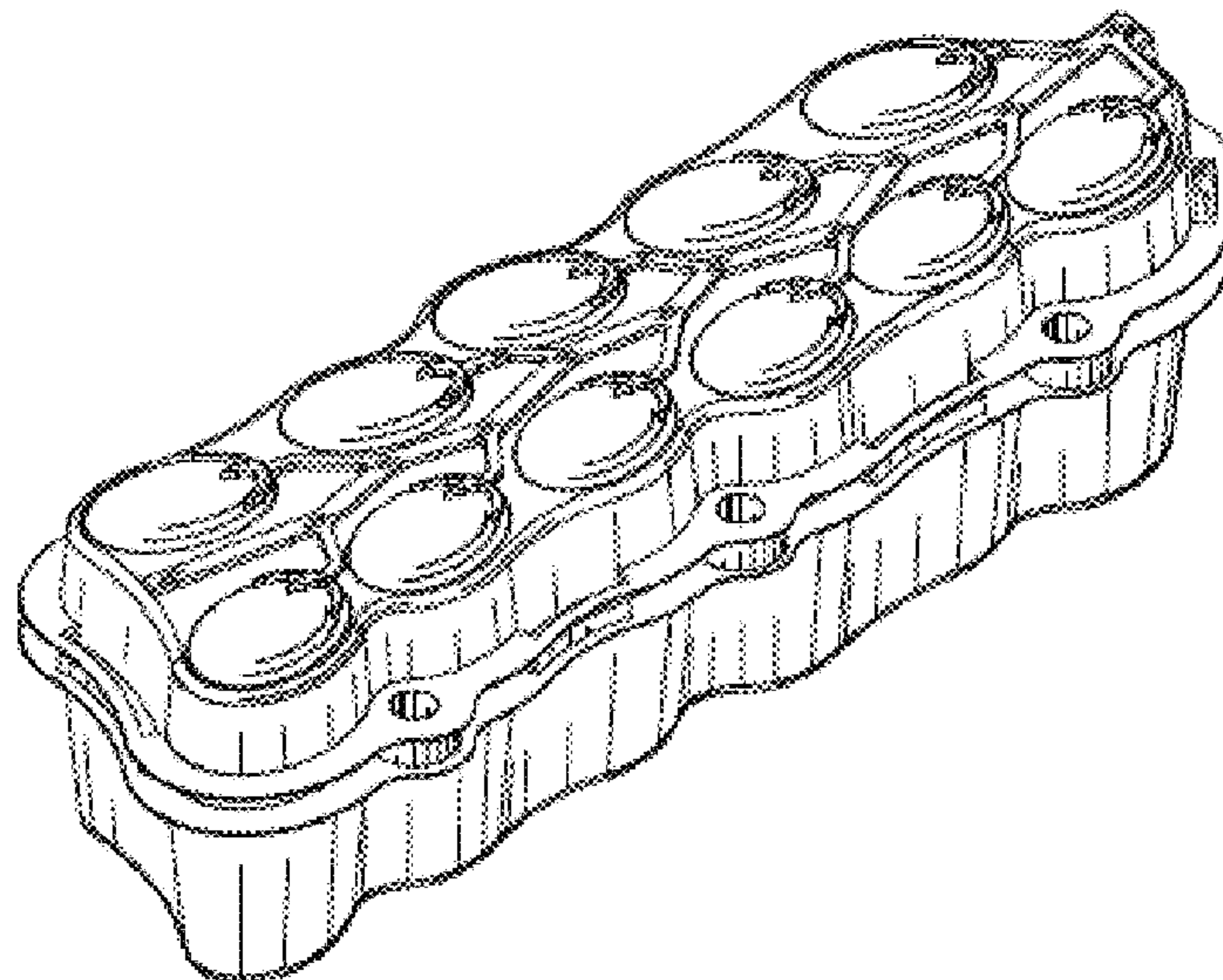


FIGURE 1

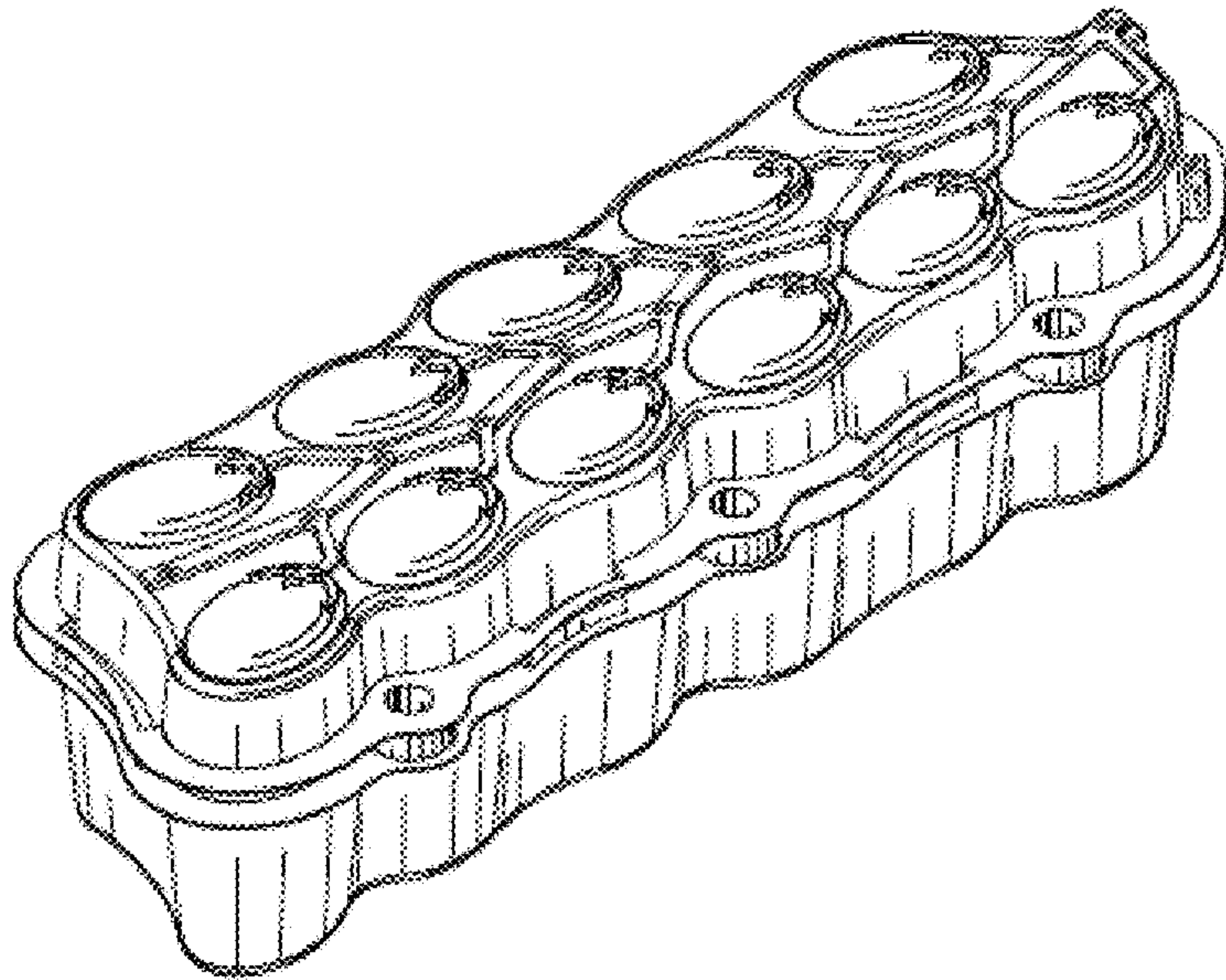


FIGURE 2

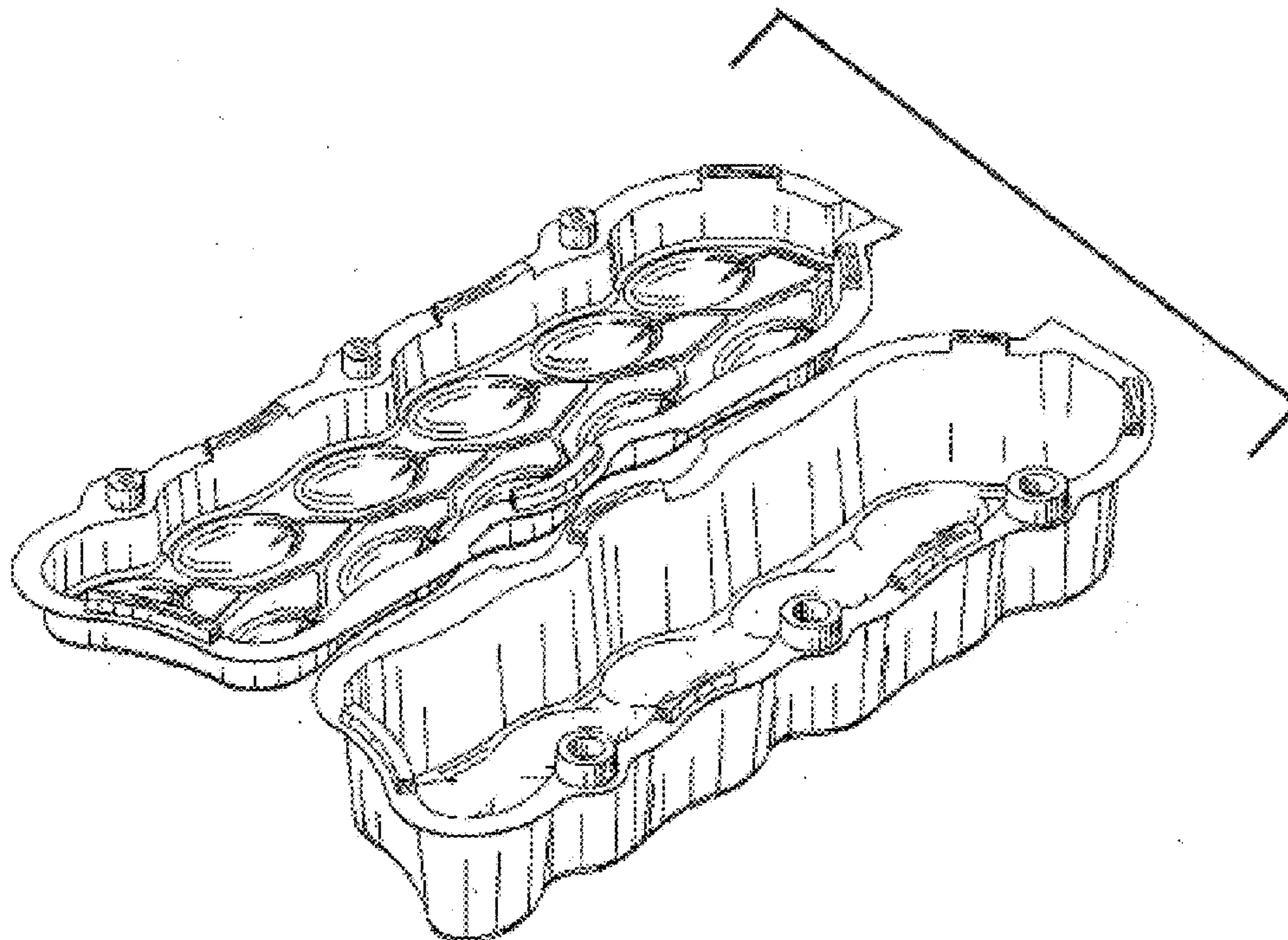


FIGURE 3

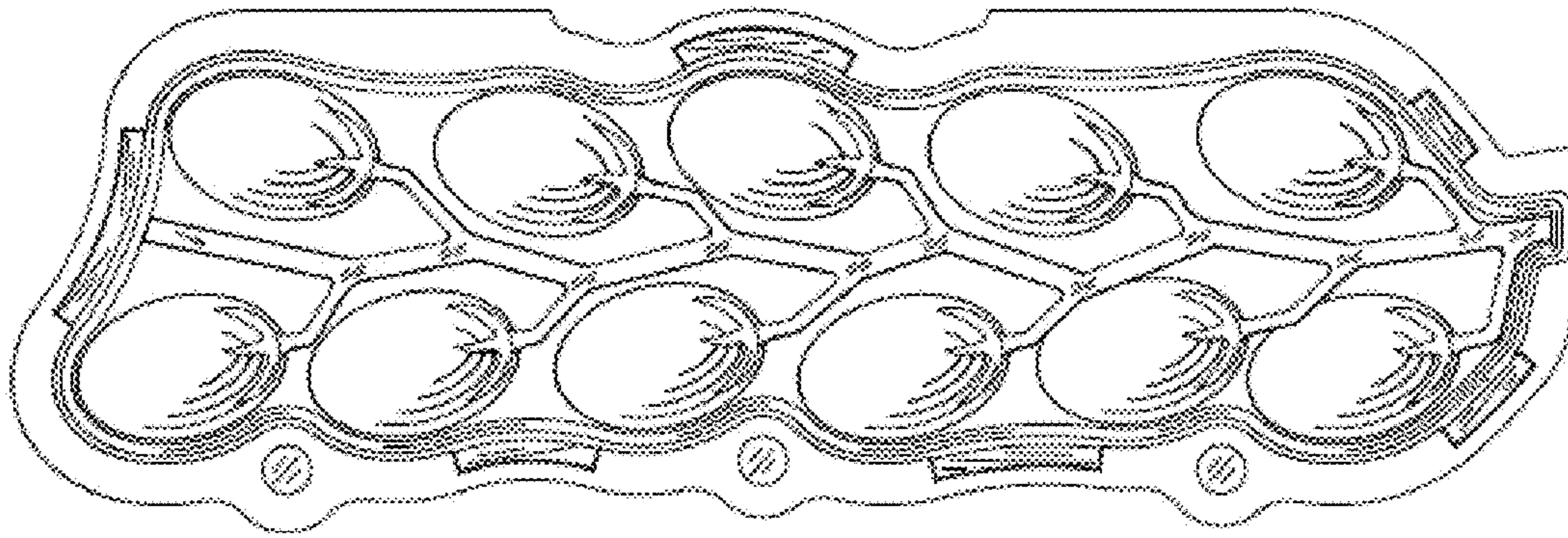


FIGURE 4

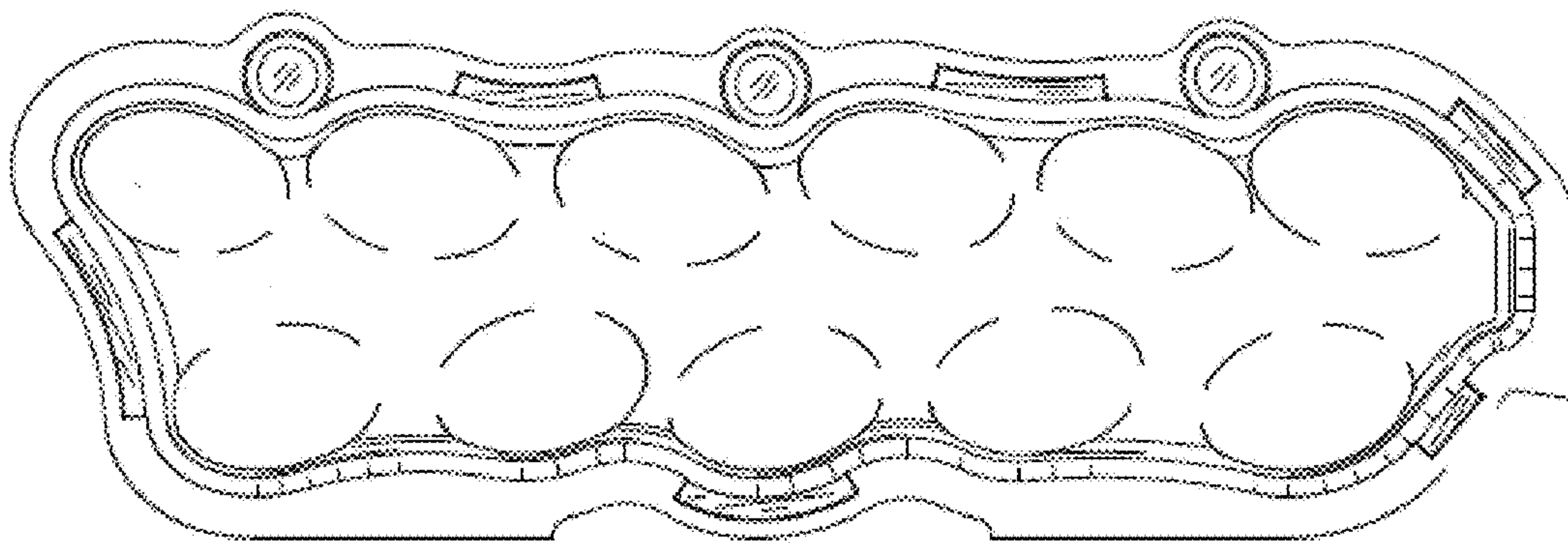


FIGURE 5

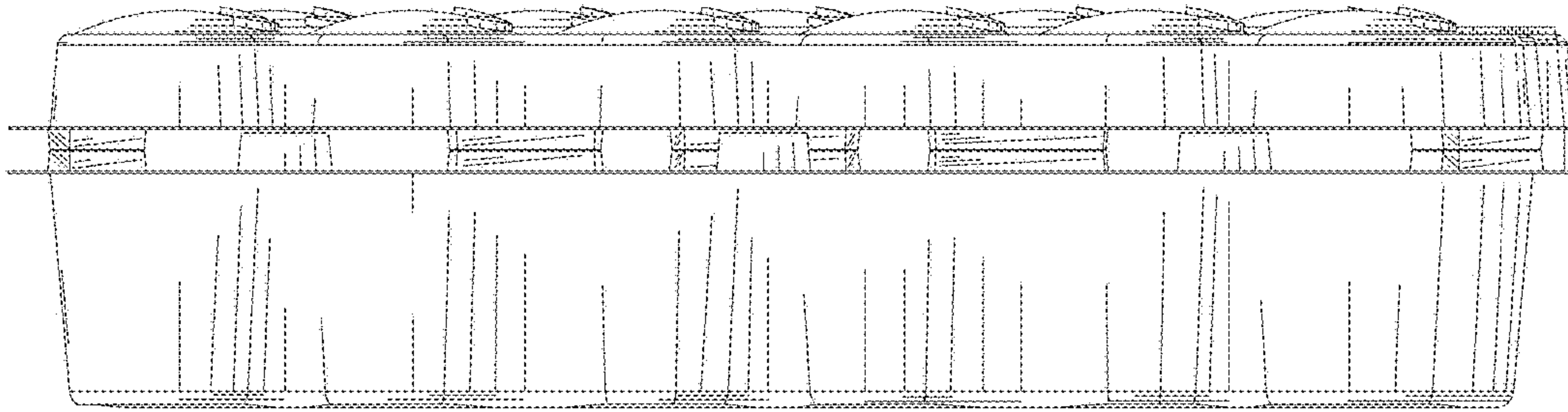


FIGURE 6

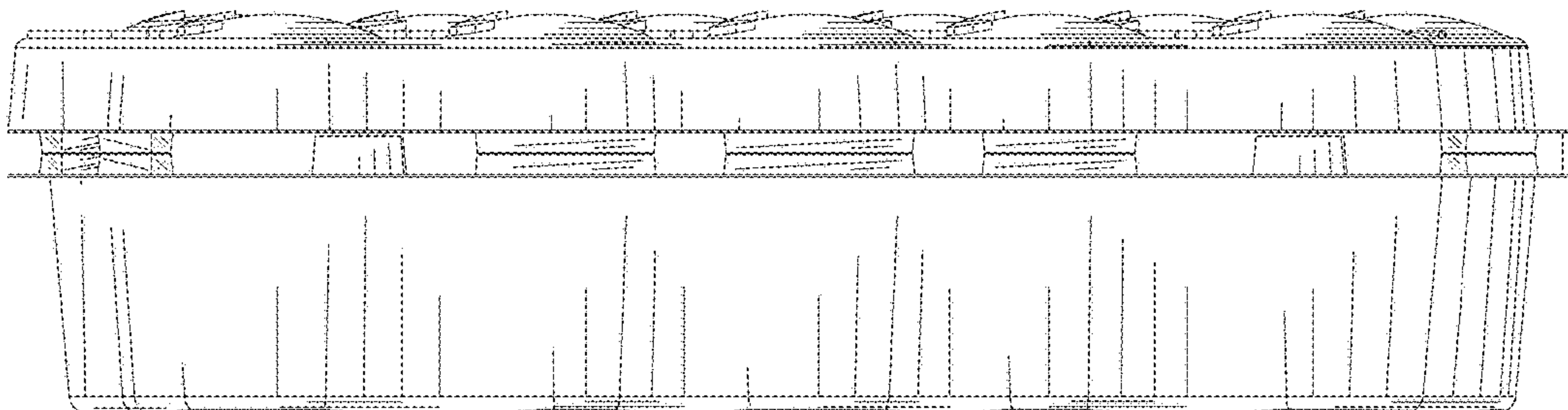


FIGURE 7

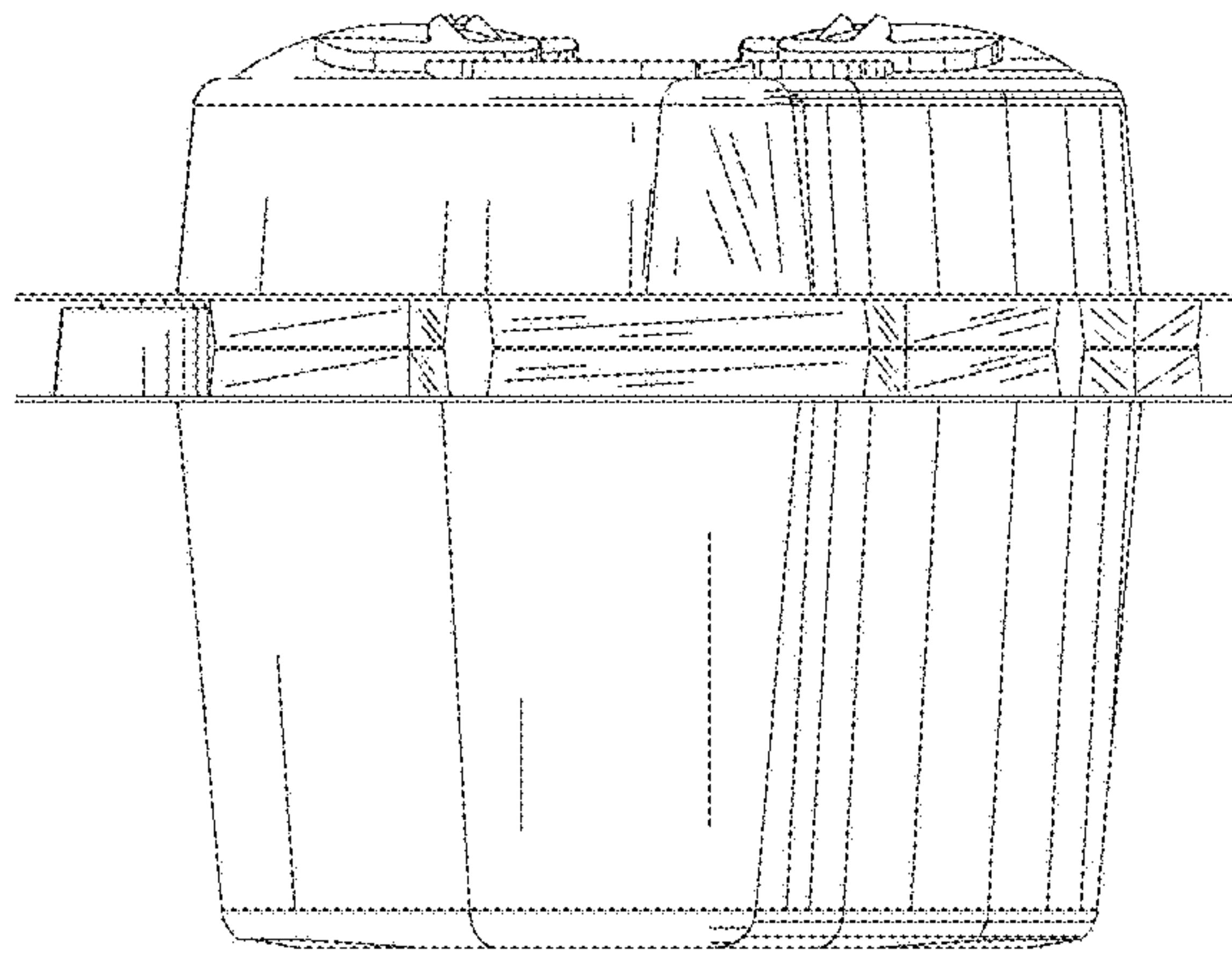


FIGURE 8

