



US00D836447S

(12) **United States Design Patent** (10) **Patent No.:** **US D836,447 S**  
**Murac et al.** (45) **Date of Patent:** **\*\* \*Dec. 25, 2018**

(54) **FRAGRANCE BOTTLE WITH CAP**

(71) Applicant: **Gabrielle Studio, Inc.**, New York, NY (US)

(72) Inventors: **Cedric Arnaud Murac**, New York, NY (US); **Michelle A. Badalich**, New York, NY (US); **Sharon Sut Lo**, Flushing, NY (US); **Samuel O'Donahue**, New York, NY (US)

(73) Assignee: **Gabrielle Studio, Inc.**, New York, NY (US)

(\* ) Notice: This patent is subject to a terminal disclaimer.

(\*\*) Term: **15 Years**

(21) Appl. No.: **29/626,127**

(22) Filed: **Nov. 15, 2017**

(51) **LOC (11) Cl.** ..... **09-01**

(52) **U.S. Cl.**  
USPC ..... **D9/572**; D9/559; D9/573

(58) **Field of Classification Search**  
USPC ..... D9/434, 436, 453, 454, 516, 544, 546, D9/559, 572, 573, 574, 682, 692, 715, D9/719, 728, 686, 694; D3/205  
CPC ..... B65D 2501/0081; B65D 1/0223; B65D 51/18  
See application file for complete search history.

(56) **References Cited**

U.S. PATENT DOCUMENTS

D252,736 S *	8/1979	Grodin	.....	D9/544
D302,873 S *	8/1989	Sayn Wittgenstein	.....	D28/85
D315,850 S *	4/1991	Wu	.....	D7/679
D318,617 S *	7/1991	Scarpa	.....	D9/452
D356,502 S *	3/1995	Poandl	.....	D9/520
D453,109 S *	1/2002	Piquet	.....	D9/451

D481,801 S *	11/2003	Whitley	.....	D24/224
D517,185 S	3/2006	Chen		
D542,136 S	5/2007	Lilico		
D542,140 S *	5/2007	Garcia-Ruiz	.....	D9/453
D545,147 S *	6/2007	Marshall	.....	D7/679
D548,095 S *	8/2007	McGuinness	.....	D9/435
D566,555 S *	4/2008	Berman	.....	D9/453
D573,480 S *	7/2008	Berthet	.....	D9/544
D583,678 S *	12/2008	Yamamoto	.....	D9/688
D597,409 S *	8/2009	Ruybal	.....	D9/529
D599,675 S *	9/2009	Premo	.....	D9/687
D605,948 S *	12/2009	Sposato	.....	D9/546
D642,930 S	8/2011	Premo		
D644,515 S	9/2011	Tieleman et al.		
D649,471 S *	11/2011	Guglielmo	.....	D9/559

(Continued)

FOREIGN PATENT DOCUMENTS

CN	3483915	11/2005
CN	3566075	10/2006

(Continued)

*Primary Examiner* — Ian Simmons

*Assistant Examiner* — Keith Frank

(74) *Attorney, Agent, or Firm* — Peter Giancana

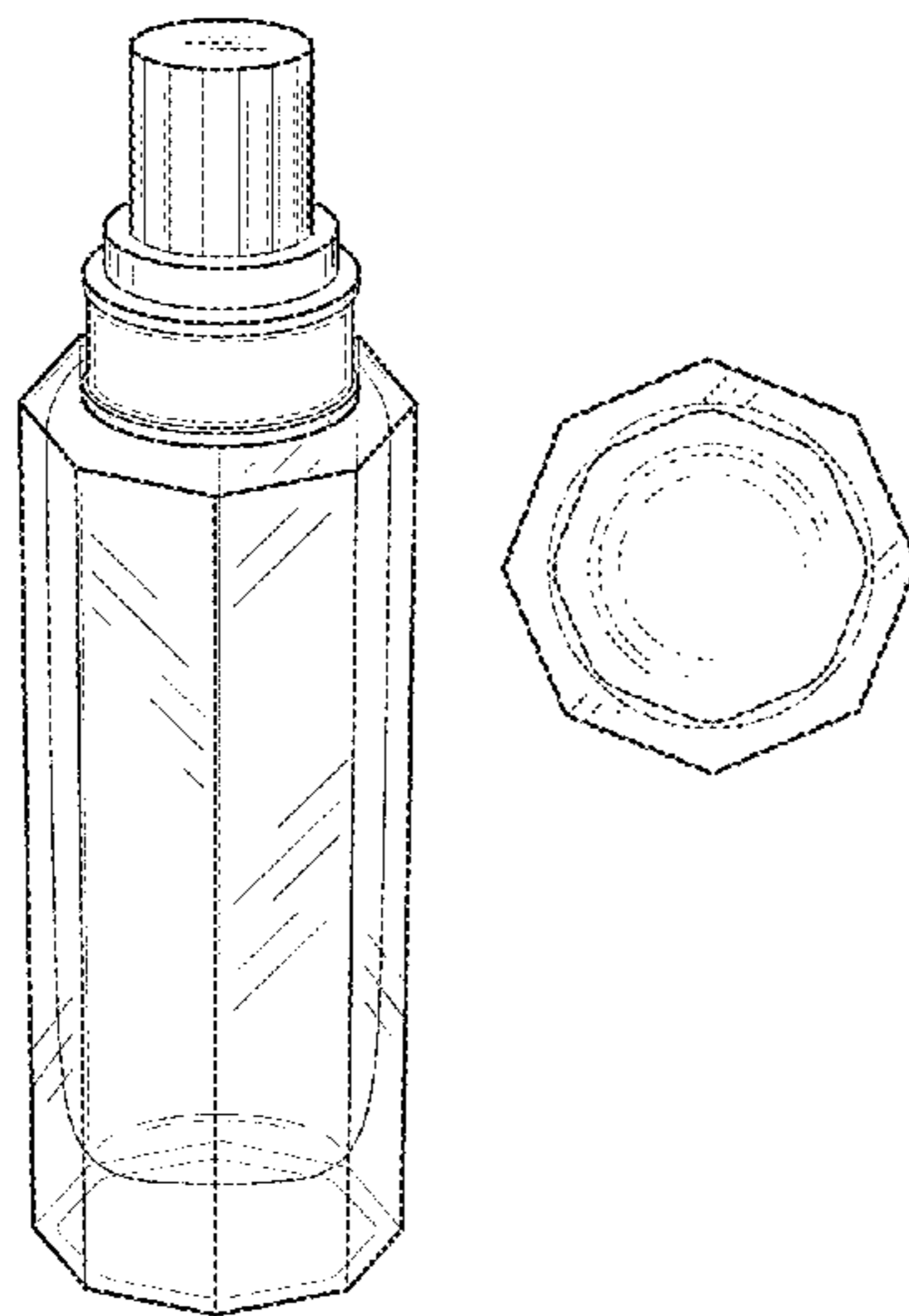
(57) **CLAIM**

The ornamental design for a fragrance bottle with cap, substantially as shown and described.

**DESCRIPTION**

FIG. 1 is a front perspective view showing our new design for a fragrance bottle with cap;  
FIG. 2 is a front elevation view thereof;  
FIG. 3 is a left side elevation view thereof;  
FIG. 4 is a rear elevation view thereof;  
FIG. 5 is a right side elevation view thereof;  
FIG. 6 is a top plan view thereof; and,  
FIG. 7 is a bottom plan view thereof.  
In the drawings, features within broken lines form no part of the claimed design.

**1 Claim, 4 Drawing Sheets**



(56)

**References Cited**

U.S. PATENT DOCUMENTS

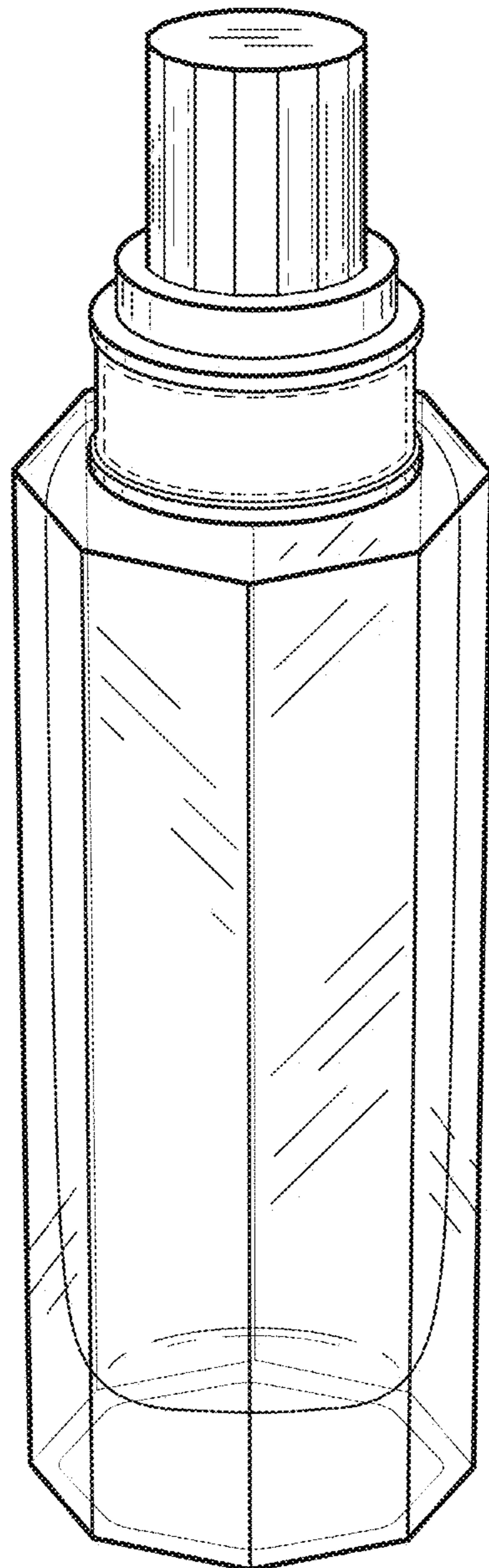
D650,690	S	12/2011	Guglielmo et al.	
D655,615	S	3/2012	Servaire	
D661,199	S	6/2012	Bennett	
D662,827	S *	7/2012	Watabe .....	D9/453
D695,627	S *	12/2013	Chen .....	D9/687
D732,969	S	6/2015	Berard	
D734,164	S	7/2015	Guichot	
D743,264	S *	11/2015	Mariani .....	D9/435
D760,087	S *	6/2016	Dittmer .....	D9/516
D763,696	S *	8/2016	Eisen .....	D9/443
D764,922	S *	8/2016	Eble .....	D9/520
D808,282	S *	1/2018	Weber .....	D9/726
D810,577	S *	2/2018	Nguyen .....	D9/516
D818,840	S *	5/2018	Nagata .....	D9/692

FOREIGN PATENT DOCUMENTS

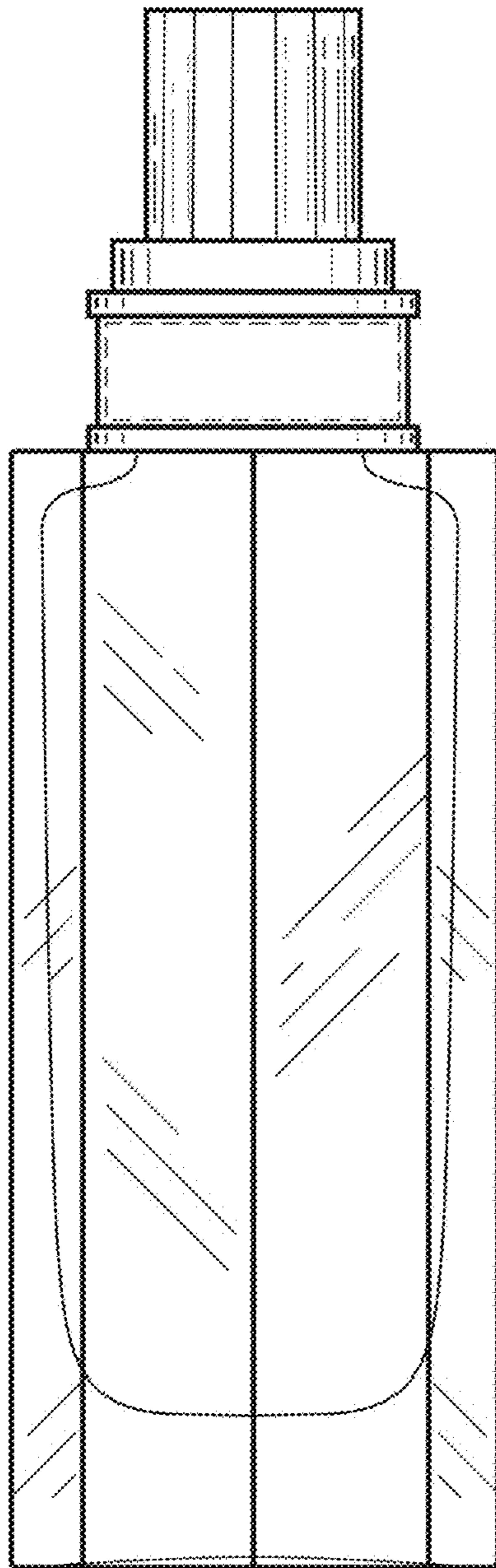
CN	301060449	11/2009
CN	301211668	5/2010
CN	302229600	12/2012
CN	303463745	11/2015
CN	303463825	11/2015
CN	304070561	3/2017
EM	000368170-0001	8/2005
KR	300411498-0000	4/2006
KR	300581691-0000	12/2010
KR	300776440-0000	12/2014

\* cited by examiner

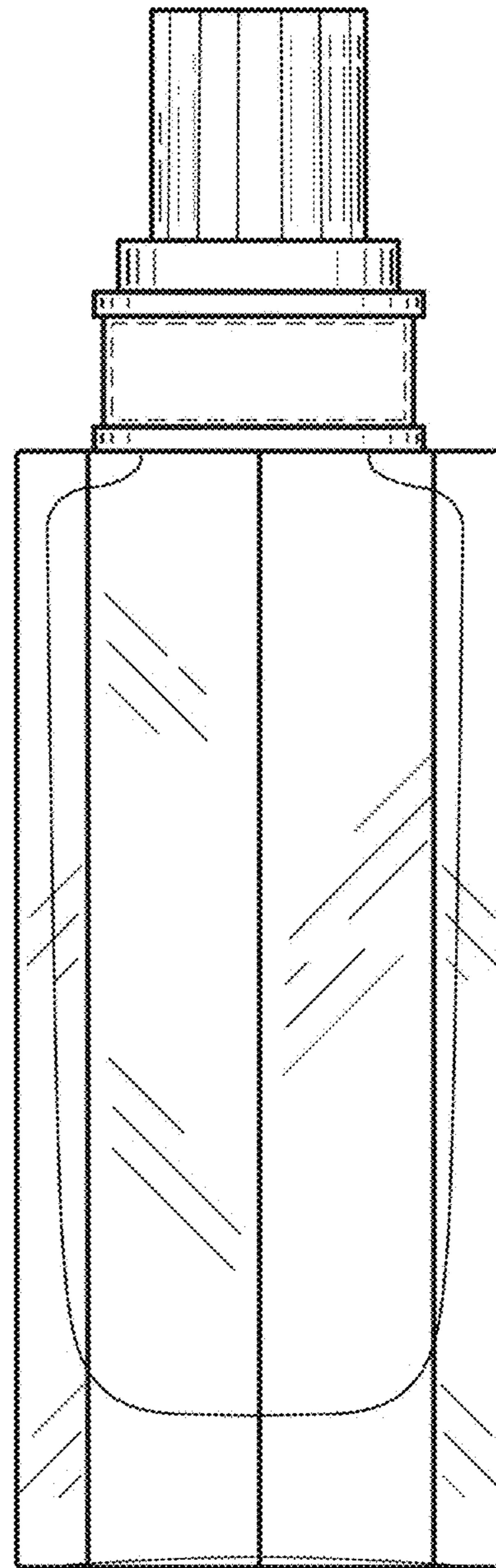
**FIG. 1**



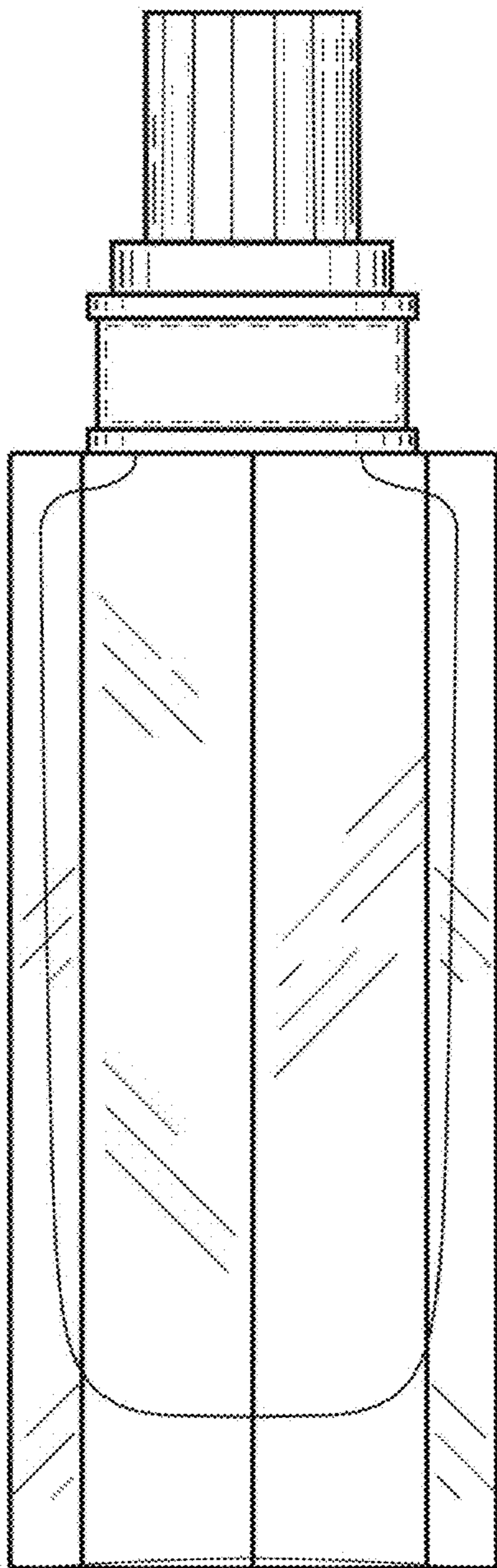
**FIG. 2**



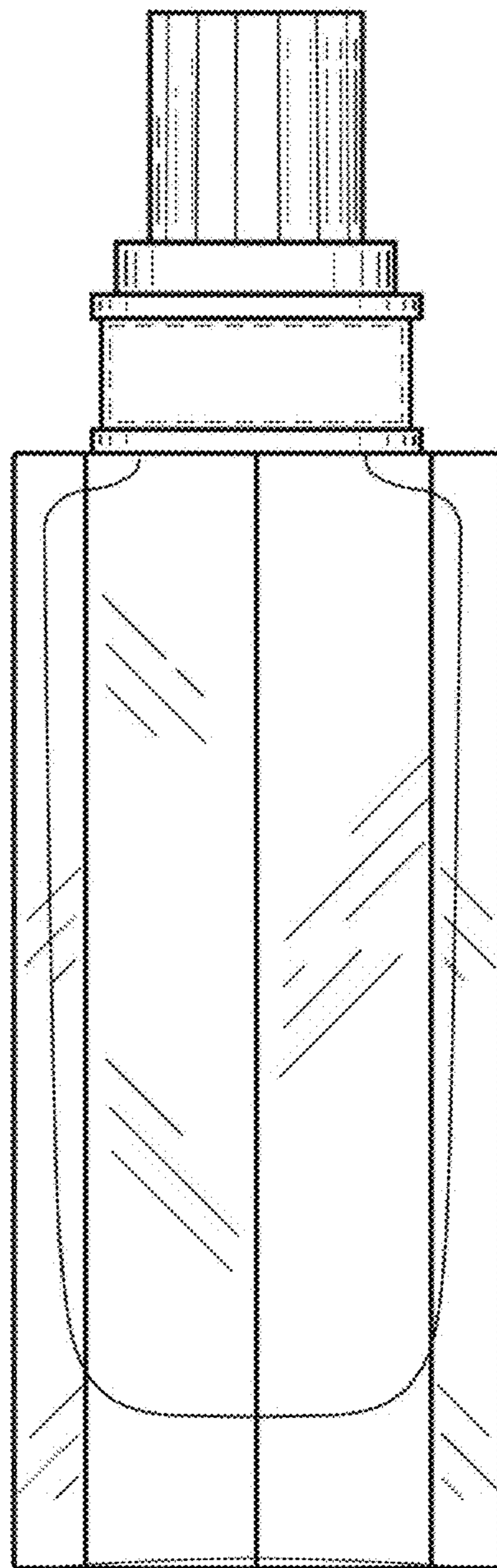
**FIG. 3**



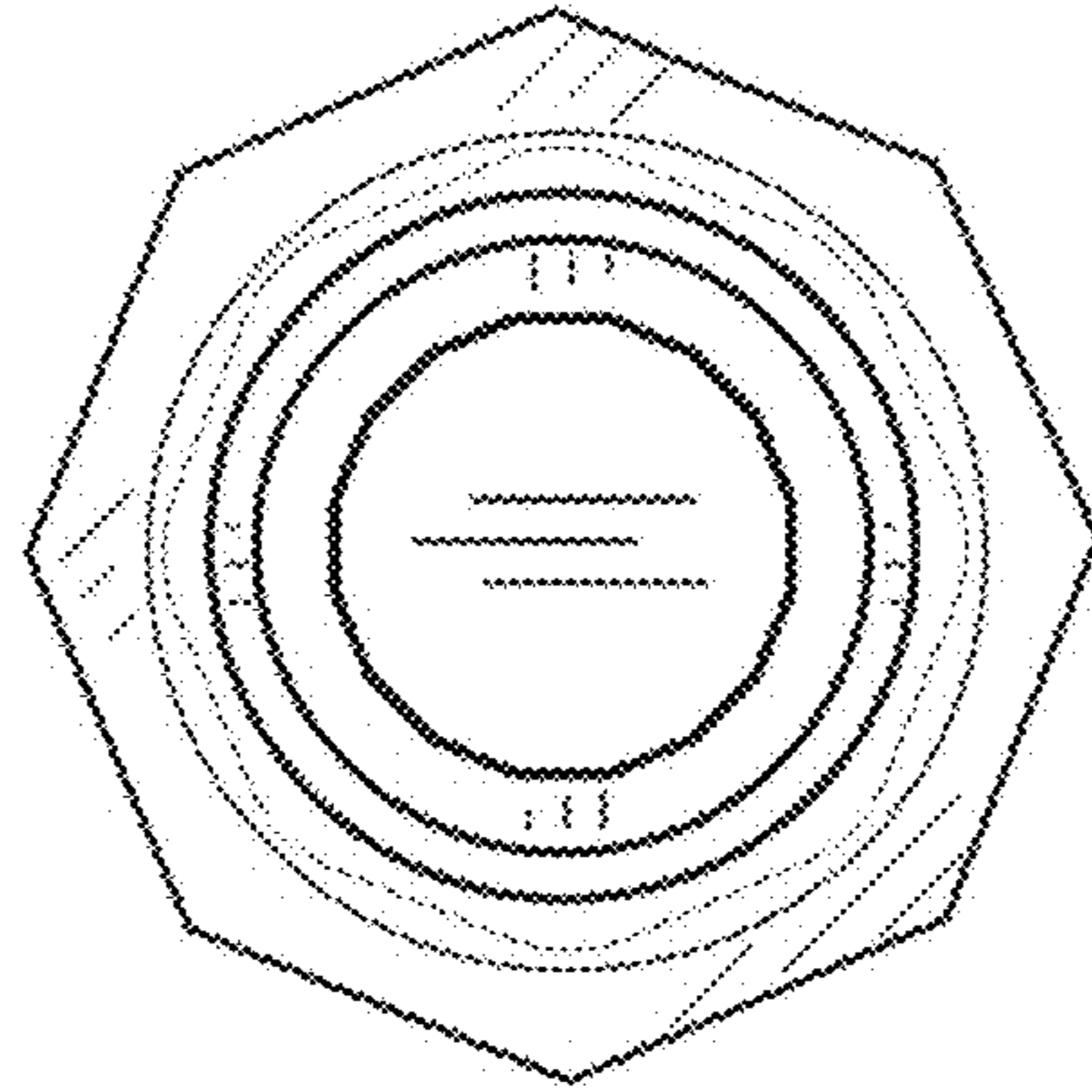
**FIG. 4**



**FIG. 5**



**FIG. 6**



**FIG. 7**

