



US00D836445S

(12) **United States Design Patent** (10) **Patent No.:** **US D836,445 S**
Charlton (45) **Date of Patent:** **** Dec. 25, 2018**

(54) **BOTTLE**
(71) Applicant: **HIGHBURY CANCO CORPORATION**, Leamington (CA)
(72) Inventor: **Bob Charlton**, Windsor (CA)
(73) Assignee: **HIGHBURY CANCO CORPORATION**, Leamington (CA)
(**) Term: **15 Years**
(21) Appl. No.: **29/597,631**
(22) Filed: **Mar. 17, 2017**
(51) **LOC (11) Cl.** **09-01**
(52) **U.S. Cl.**
USPC **D9/528**
(58) **Field of Classification Search**
USPC D9/522, 528, 530, 531, 534, 543, 549,
D9/558, 564, 565, 569, 572, 573;
215/40, 44, 200, 381-384, 396; 220/288,
220/662, 669, 675, 752, 755, 771;
222/182, 209; 426/115
CPC B65D 1/02; B65D 1/0223; B65D 1/0246;
B65D 5/46; B65D 41/00; B65D 41/02;
B65D 41/04; B65D 2501/00; B65D
2501/0009
See application file for complete search history.

D377,759 S * 2/1997 Hot D9/520
D397,036 S * 8/1998 Katakouzinis D9/520
D462,616 S * 9/2002 Scheida D9/520
D536,983 S * 2/2007 Robinson D9/528
D580,768 S * 11/2008 Ferguson D9/528
D608,208 S * 1/2010 Vaughan D9/533
D622,596 S * 8/2010 Miller D9/528

* cited by examiner

Primary Examiner — Derrick E Holland

Assistant Examiner — Janice Patyk

(74) *Attorney, Agent, or Firm* — Greer, Burns & Crain, Ltd.

(57) **CLAIM**

The ornamental design for a bottle, as shown and described.

DESCRIPTION

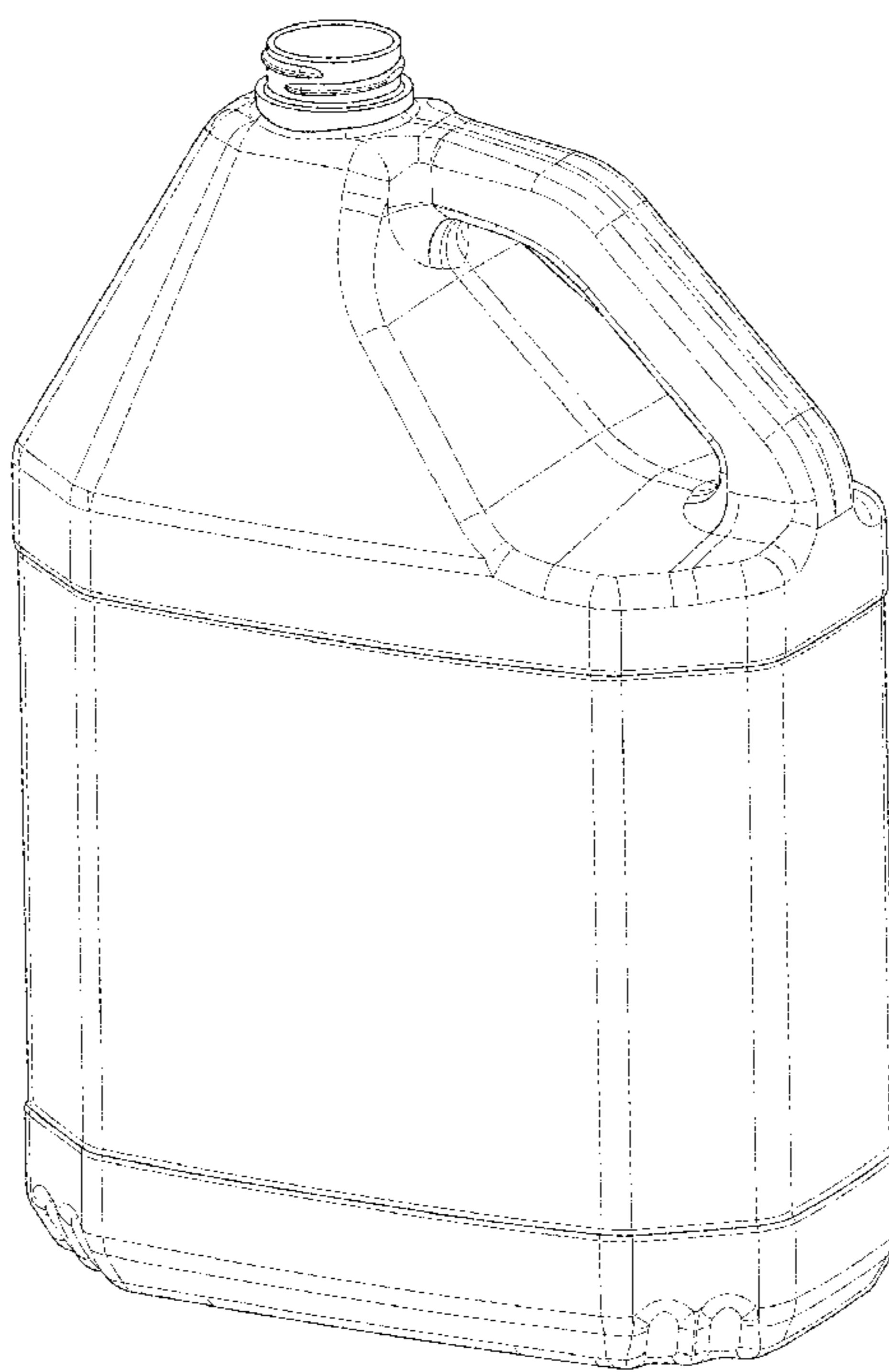
FIG. 1 is a top perspective view of a bottle, showing my new design;
FIG. 2 is a bottom perspective view of the bottle of FIG. 1;
FIG. 3 is a right side view of the bottle of FIG. 1;
FIG. 4 is a left side view of the bottle of FIG. 1;
FIG. 5 is a front view of the bottle of FIG. 1;
FIG. 6 is a rear view of the bottle of FIG. 1;
FIG. 7 is a top view of the bottle of FIG. 1; and,
FIG. 8 is a bottom view of the bottle of FIG. 1.

(56) **References Cited**

U.S. PATENT DOCUMENTS

D351,347 S * 10/1994 Ring D9/528
D374,823 S * 10/1996 Decker D9/520

1 Claim, 7 Drawing Sheets



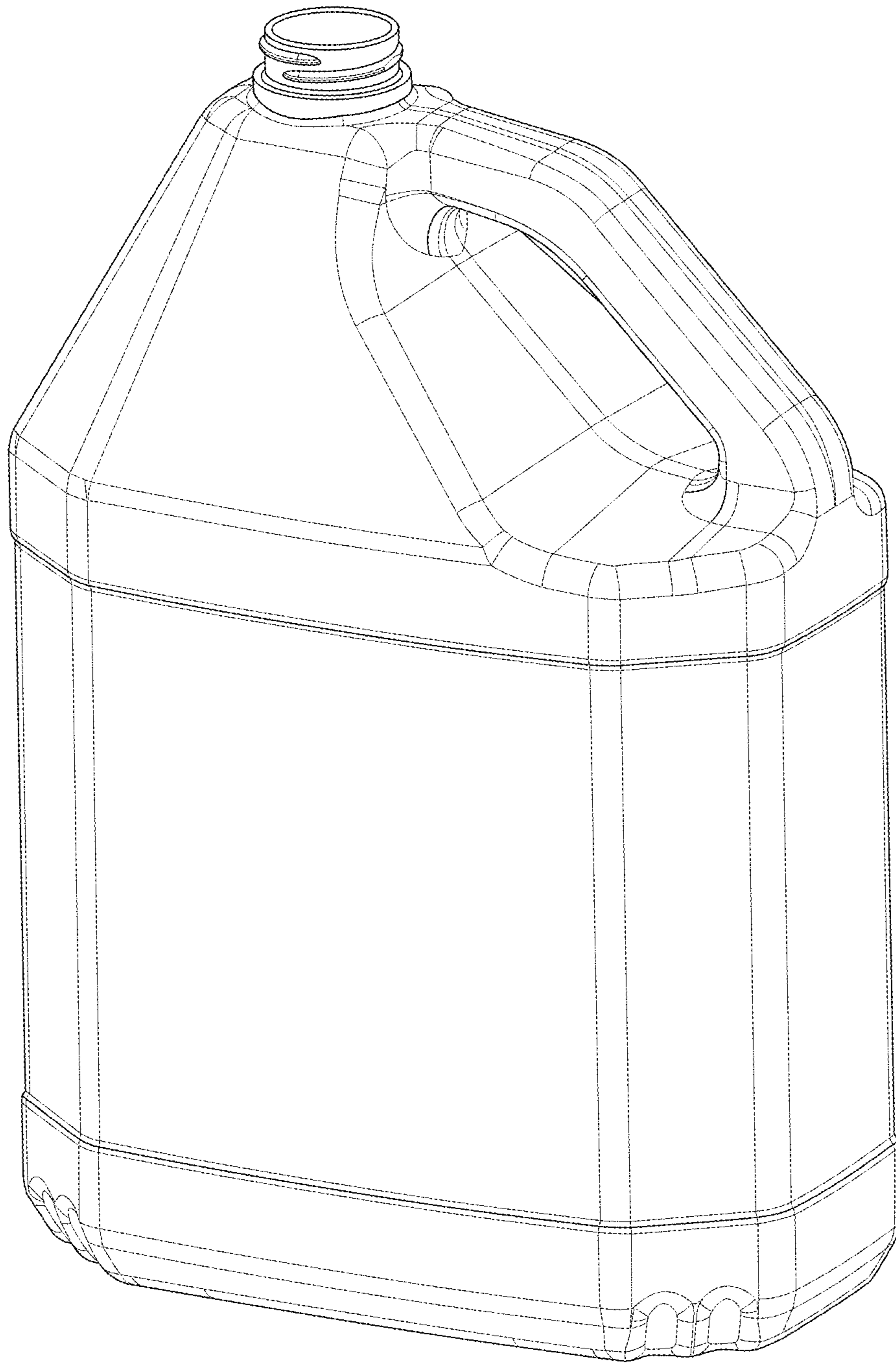


Figure 1

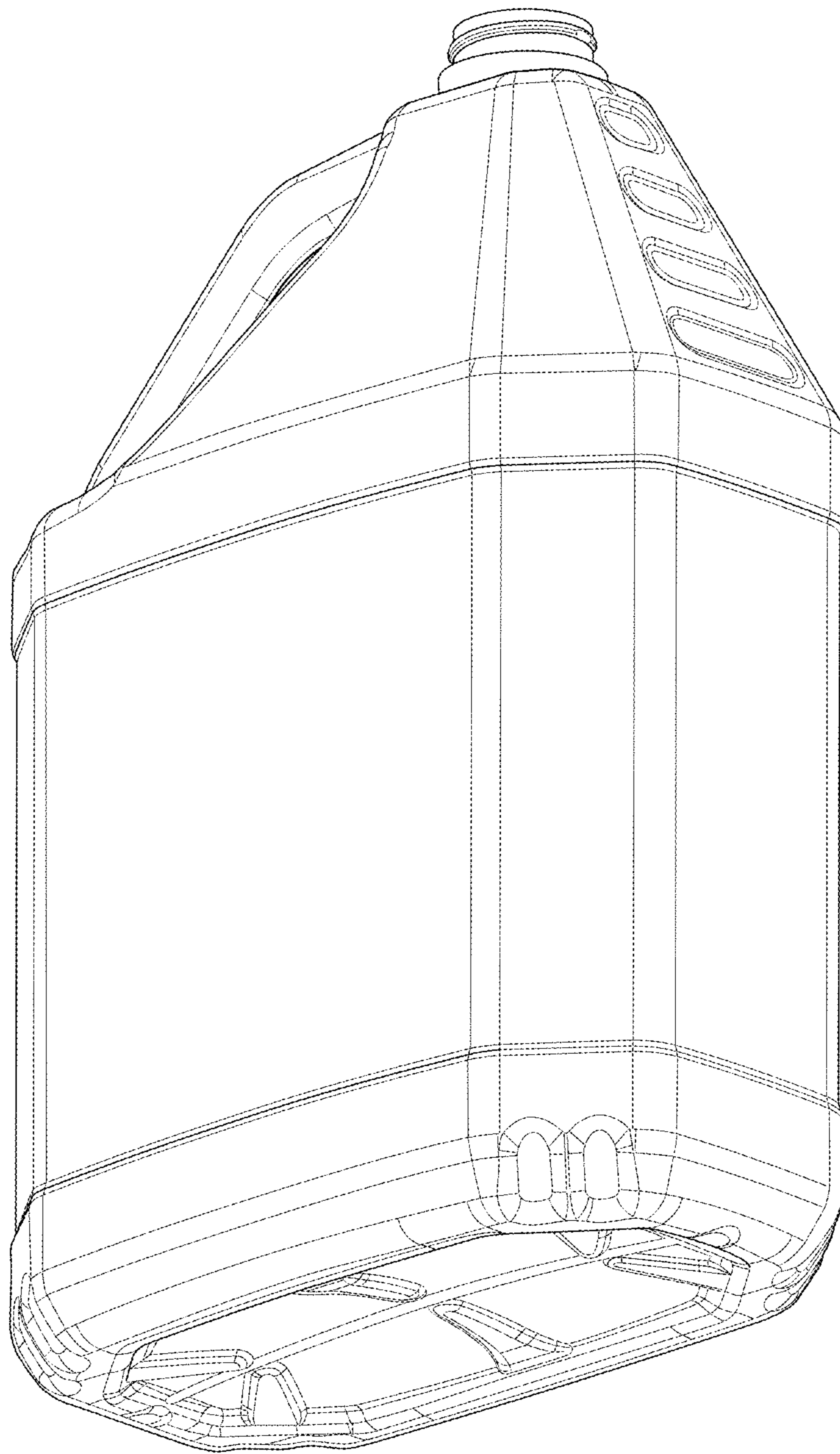


Figure 2

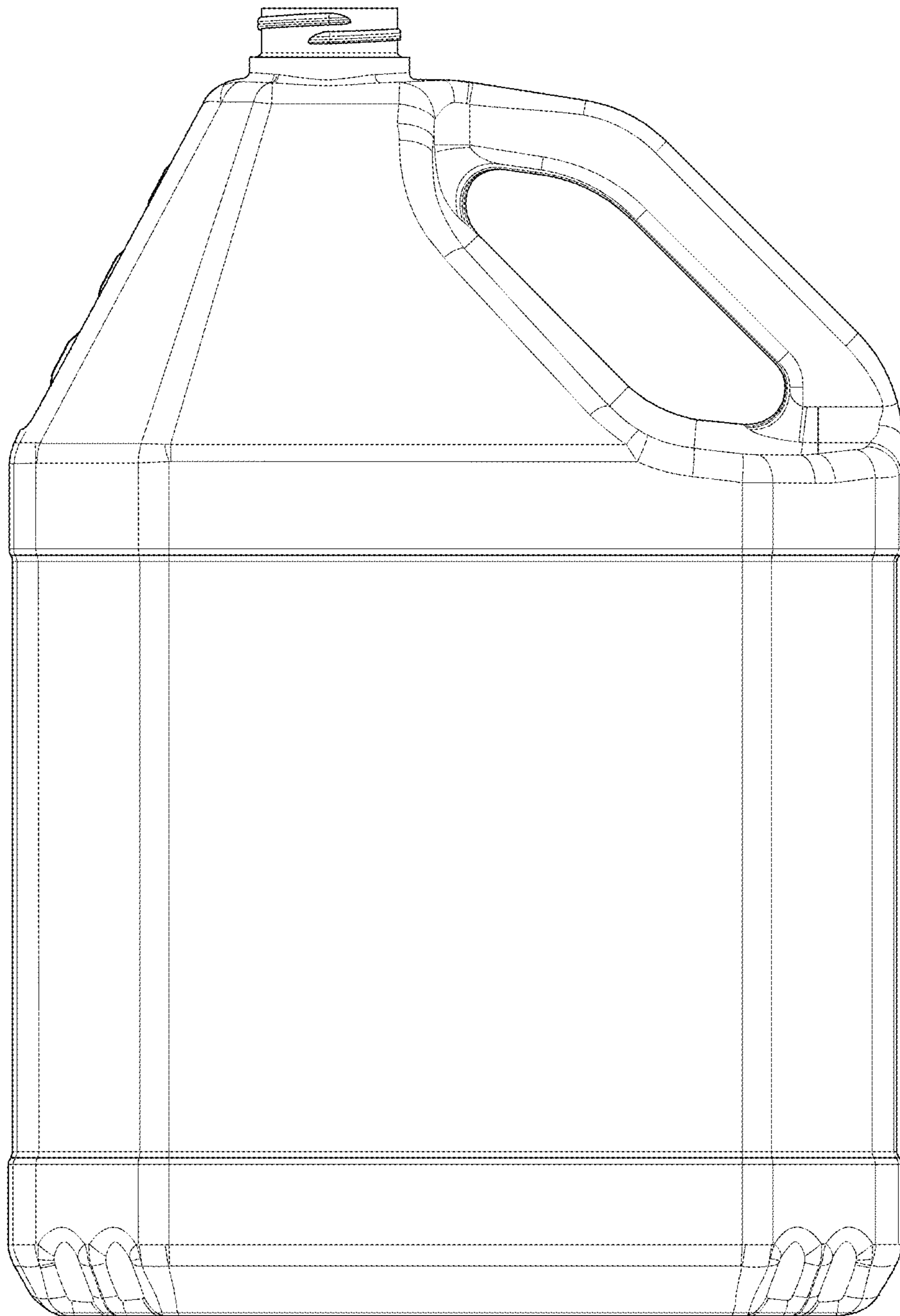


Figure 3

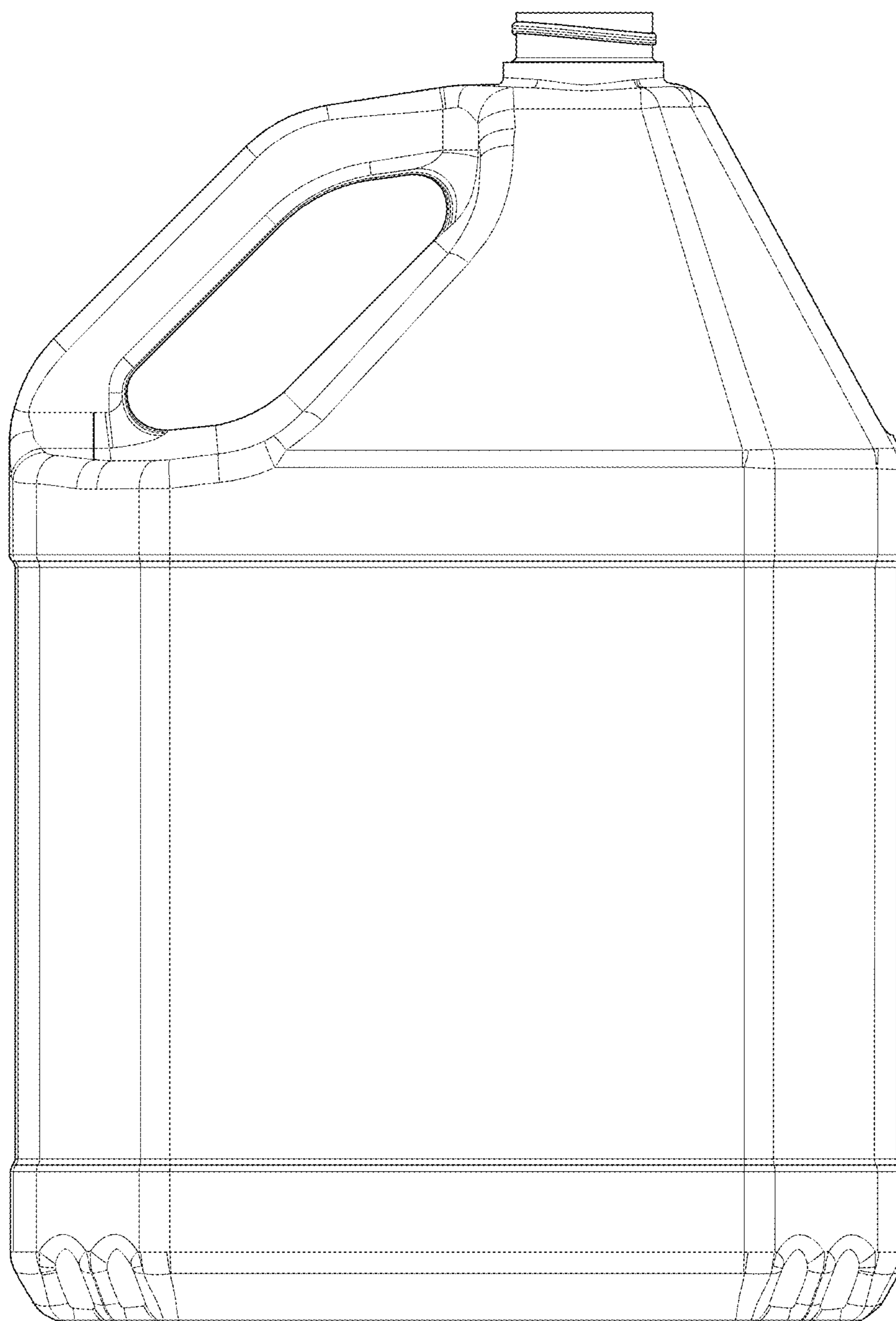


Figure 4

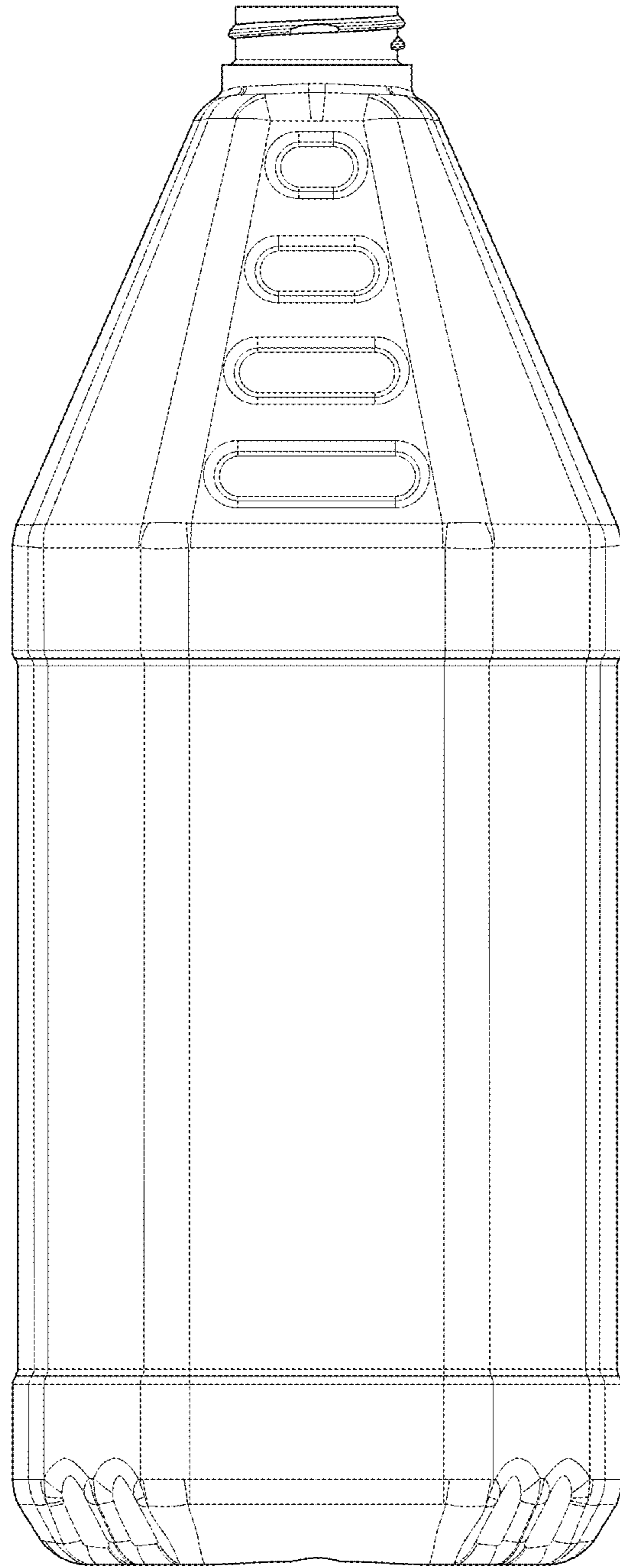


Figure 5

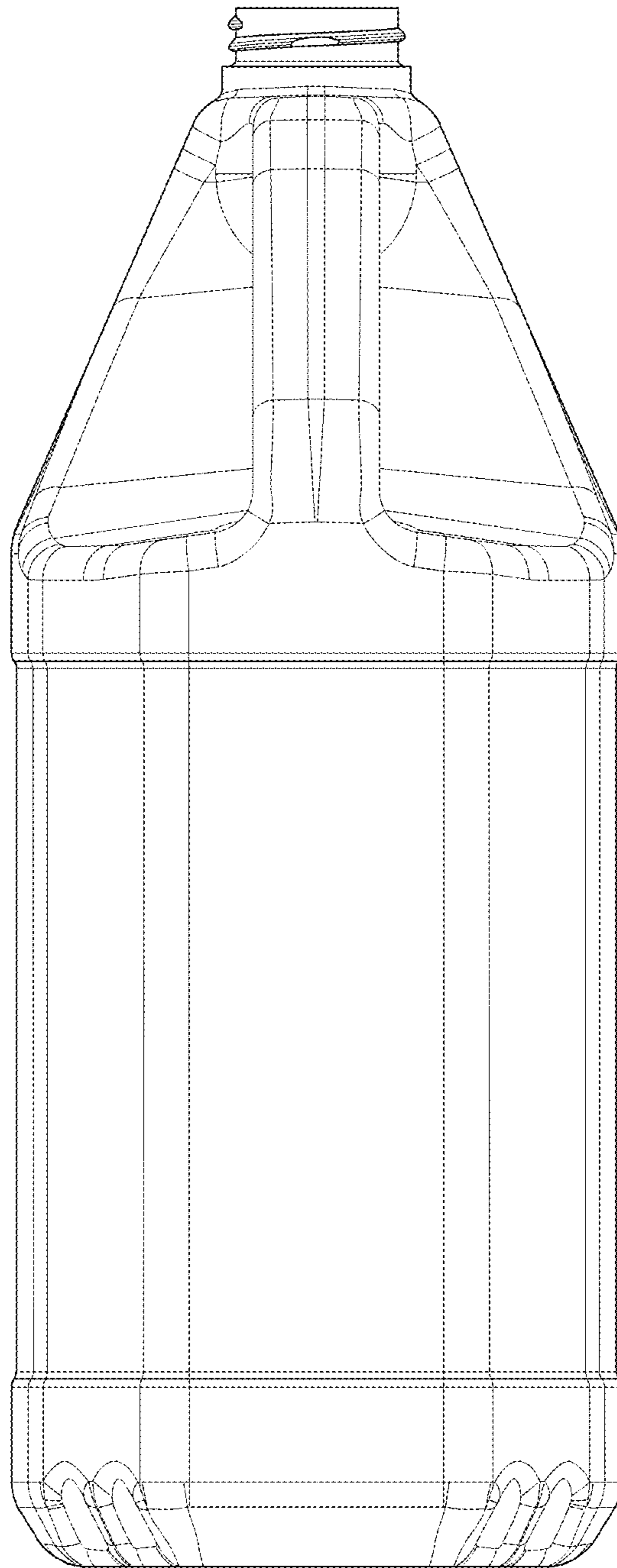


Figure 6

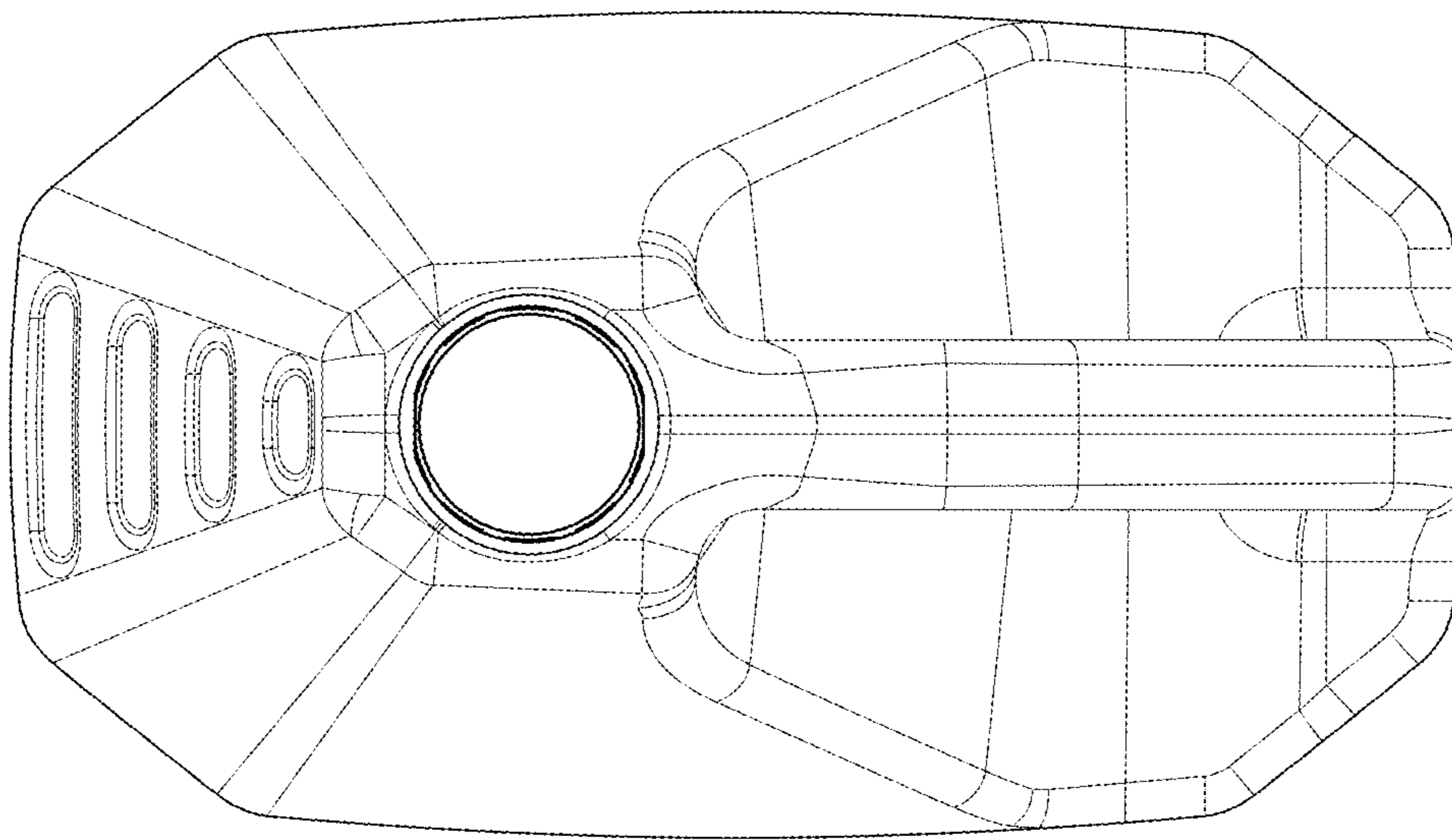


Figure 7

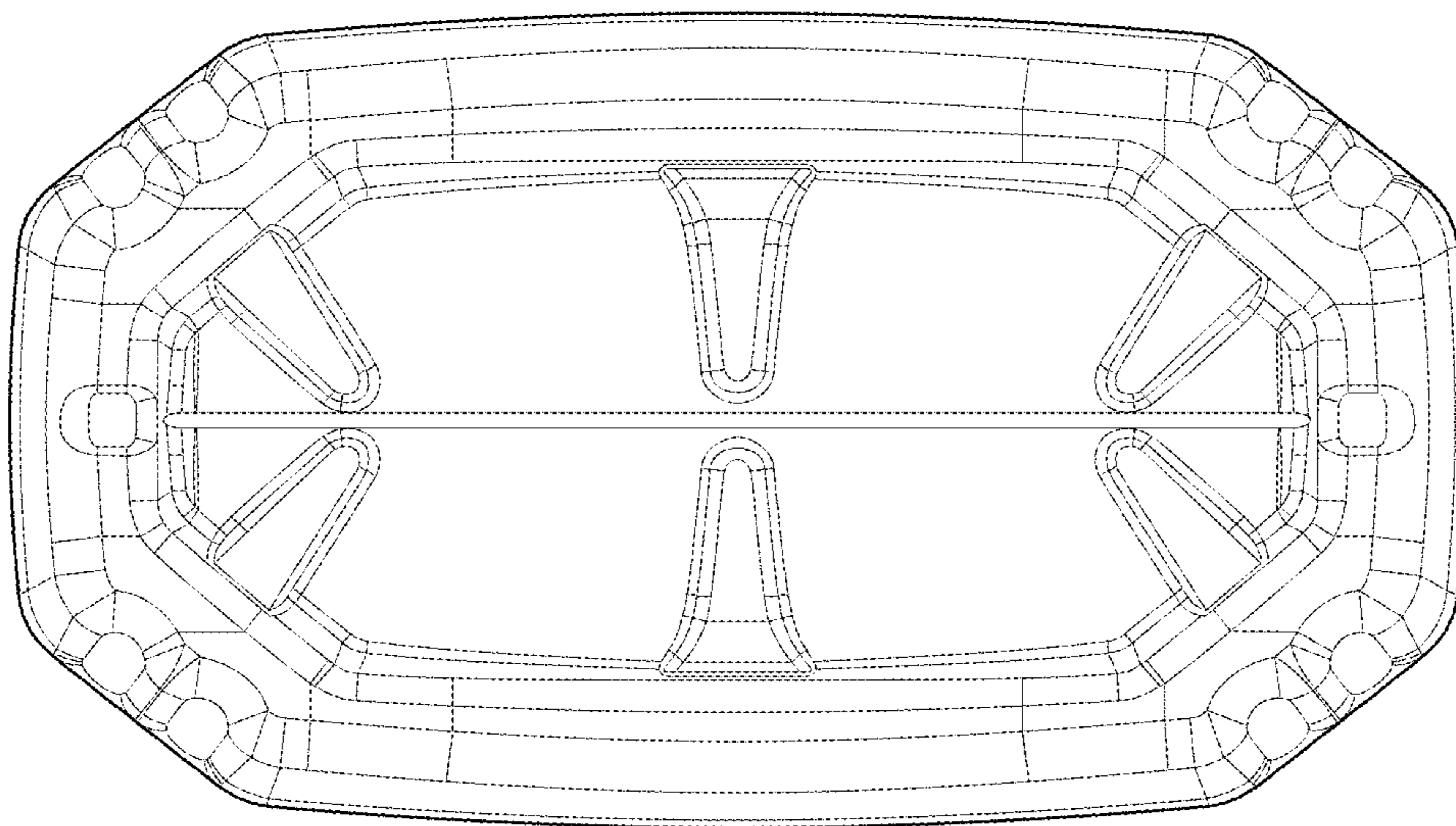


Figure 8