



US00D836444S

(12) **United States Design Patent**  
**Tan et al.**

(10) **Patent No.:** **US D836,444 S**  
(45) **Date of Patent:** **\*\* Dec. 25, 2018**

(54) **NAIL POLISH BOTTLE**

(71) Applicants: **Ana Katrina Tan**, Bakersfield, CA  
(US); **Khoa Duong**, Bakersfield, CA  
(US)

(72) Inventors: **Ana Katrina Tan**, Bakersfield, CA  
(US); **Khoa Duong**, Bakersfield, CA  
(US)

(73) Assignee: **GLAM AND GLITS NAIL DESIGN,  
INC.**, Bakersfield, CA (US)

(\*\*) Term: **15 Years**

(21) Appl. No.: **29/563,743**

(22) Filed: **May 6, 2016**

**Related U.S. Application Data**

(63) Continuation of application No. 29/499,385, filed on  
Aug. 14, 2014, now Pat. No. Des. 758,737.

(51) **LOC (11) Cl.** ..... **09-01**

(52) **U.S. Cl.**  
USPC ..... **D9/500**; D4/116

(58) **Field of Classification Search**  
USPC ..... D9/434, 435, 444, 454, 500, 503, 504;  
D4/116, 121, 127, 135; D28/7  
(Continued)

(56) **References Cited**

**U.S. PATENT DOCUMENTS**

D316,034 S \* 4/1991 DeGaetano ..... D4/116  
D435,450 S \* 12/2000 Eisenbarth ..... D9/500  
D715,157 S \* 10/2014 In ..... D9/691  
8,852,528 B2 \* 10/2014 Thomson ..... B05B 11/00  
422/505

(Continued)

**OTHER PUBLICATIONS**

Wayback Machine—Roma International, 'R7565 10ml bottle', cap-  
tured by Wayback Machine Sep. 4, 2015, 6p. (Year: 2015).\*

*Primary Examiner* — Keli L Hill

(74) *Attorney, Agent, or Firm* — Lapple Ubell IP Law,  
LLP; Matthew C. Lapple

(57) **CLAIM**

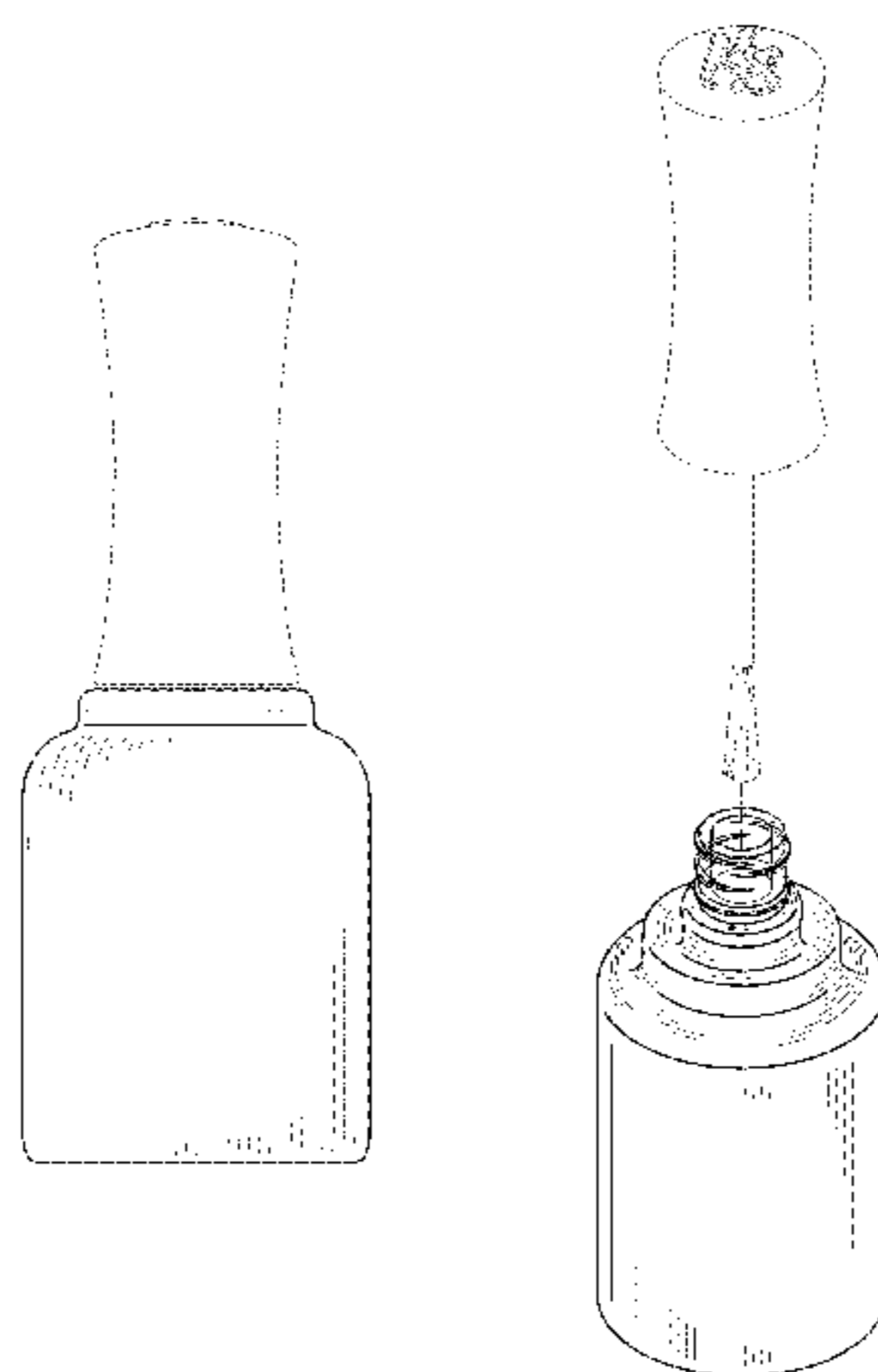
The ornamental design for a nail polish bottle, as shown and  
described.

**DESCRIPTION**

FIG. 1 is a perspective view of a nail polish bottle;  
FIG. 2 is a front view of the nail polish bottle of FIG. 1;  
FIG. 3 is a back view of the nail polish bottle of FIG. 1;  
FIG. 4 is a right side view of the nail polish bottle of FIG.  
1;  
FIG. 5 is a left side view of the nail polish bottle of FIG. 1;  
FIG. 6 is a top view of the nail polish bottle of FIG. 1;  
FIG. 7 is a bottom view of the nail polish bottle of FIG. 1;  
FIG. 8 is an exploded perspective view of the nail polish  
bottle of FIG. 1;  
FIG. 9 is a perspective view of the nail polish bottle, shown  
in an alternate environment;  
FIG. 10 is a front view of the nail polish bottle of FIG. 9;  
FIG. 11 is a back view of the nail polish bottle of FIG. 9;  
FIG. 12 is a right side view of the nail polish bottle of FIG.  
9;  
FIG. 13 is a left side view of the nail polish bottle of FIG.  
9;  
FIG. 14 is a top view of the nail polish bottle of FIG. 9;  
FIG. 15 is a bottom view of the nail polish bottle of FIG. 9;  
and,  
FIG. 16 is an exploded view of the nail polish bottle of FIG.  
9.

In the figures, portions drawn in broken lines do not form  
any part of the claimed design. The broken lines showing the  
bottom surfaces in FIGS. 7 and 15 illustrate portions of the  
bottle that form no part of the claimed design. The broken  
lines showing the cap in FIGS. 1-6 and FIGS. 8-14 illustrate  
portions of the nail polish bottle that form no part of the  
claimed design. The broken lines showing the brush in  
FIGS. 8 and 16 illustrate portions of the nail polish bottle  
that form no part of the claimed design.

**1 Claim, 10 Drawing Sheets**



(58) **Field of Classification Search**

CPC ... B65D 1/00; B65D 1/02; B65D 1/12; B65D  
1/14; B65D 1/40; B65D 1/44; B65D  
1/023; B65D 1/0223; B65D 1/165; B65D  
1/238; B65D 1/246; B65D 1/253; B65D  
7/04; B65D 21/0209; B65D 21/0233;  
B65D 25/00; B65D 25/28; B65D  
41/0457; B65D 41/17; B65D 53/06;  
B65D 75/56; B65D 79/005; B65D  
2501/0036; B65D 2543/00074; B65D  
2543/00083; B65D 2543/00092; B65D  
2543/00101; B65D 2543/00111

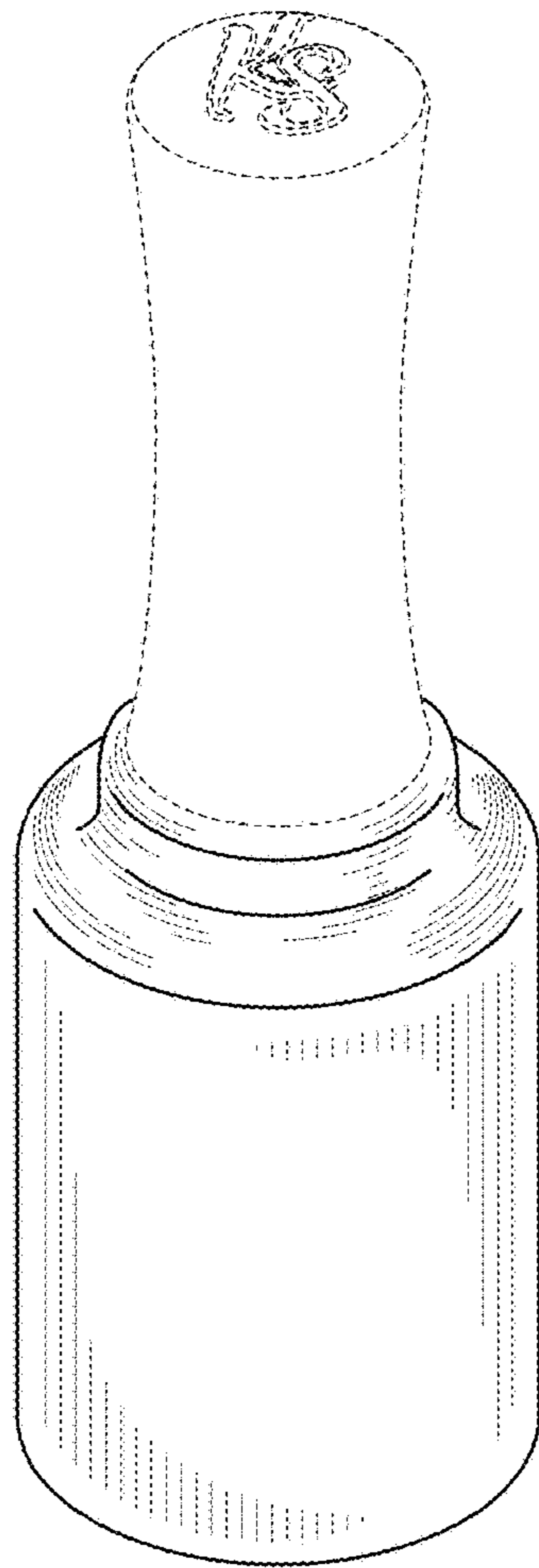
See application file for complete search history.

(56) **References Cited**

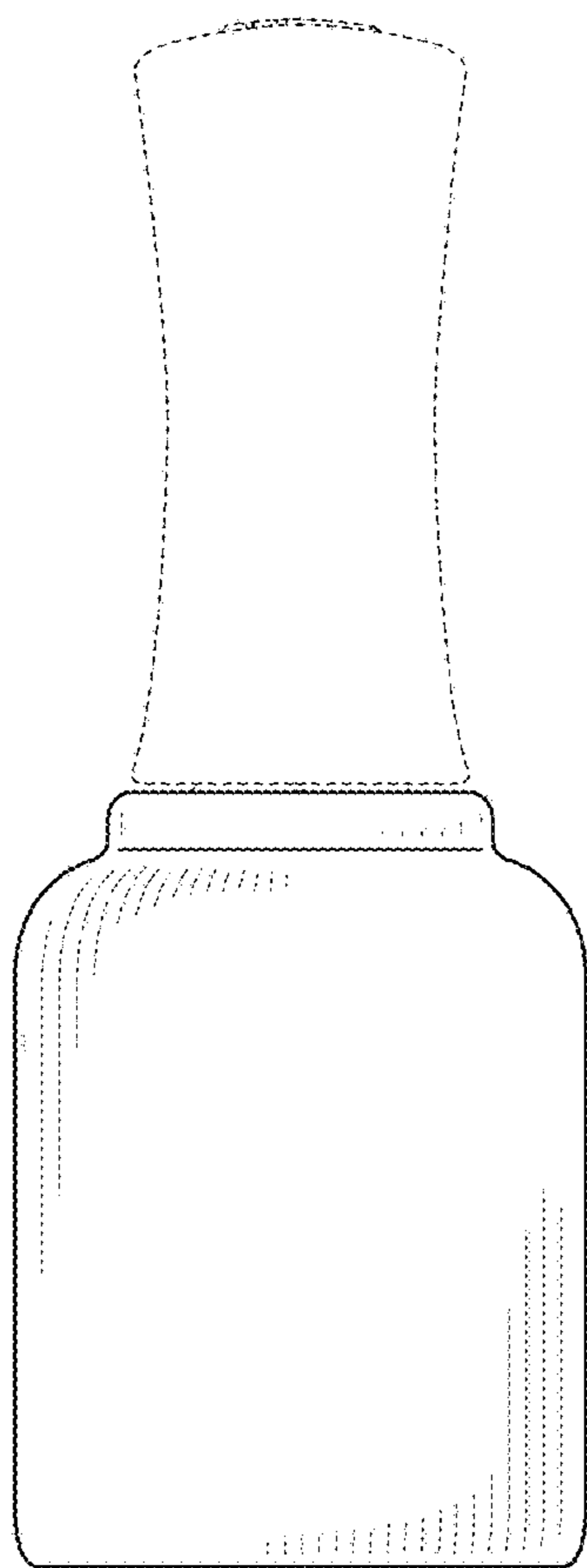
U.S. PATENT DOCUMENTS

D730,189	S	*	5/2015	Haile	.....	D4/116
D746,140	S	*	12/2015	Watabe	.....	B05B 11/00
						D9/445
D758,737	S	*	6/2016	Tan	.....	A45D 34/045
						D4/116
D770,287	S	*	11/2016	Holaschke	.....	D9/453
D787,333	S	*	5/2017	Ma	.....	A45D 34/046
						D4/116
2003/0196672	A1	*	10/2003	Kirita	.....	A45D 34/046
						132/218
2004/0202502	A1	*	10/2004	Gueret	.....	A45D 34/045
						401/129
2011/0170936	A1	*	7/2011	Kim	.....	A45D 34/045
						401/129

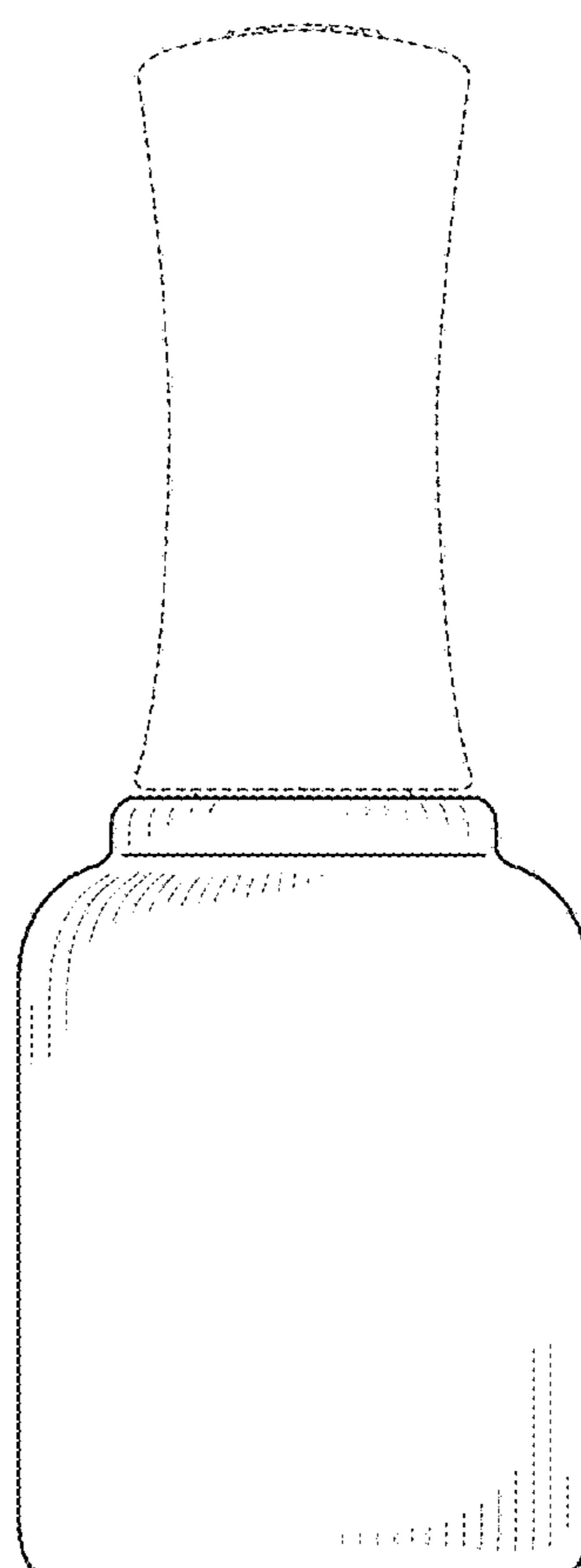
\* cited by examiner



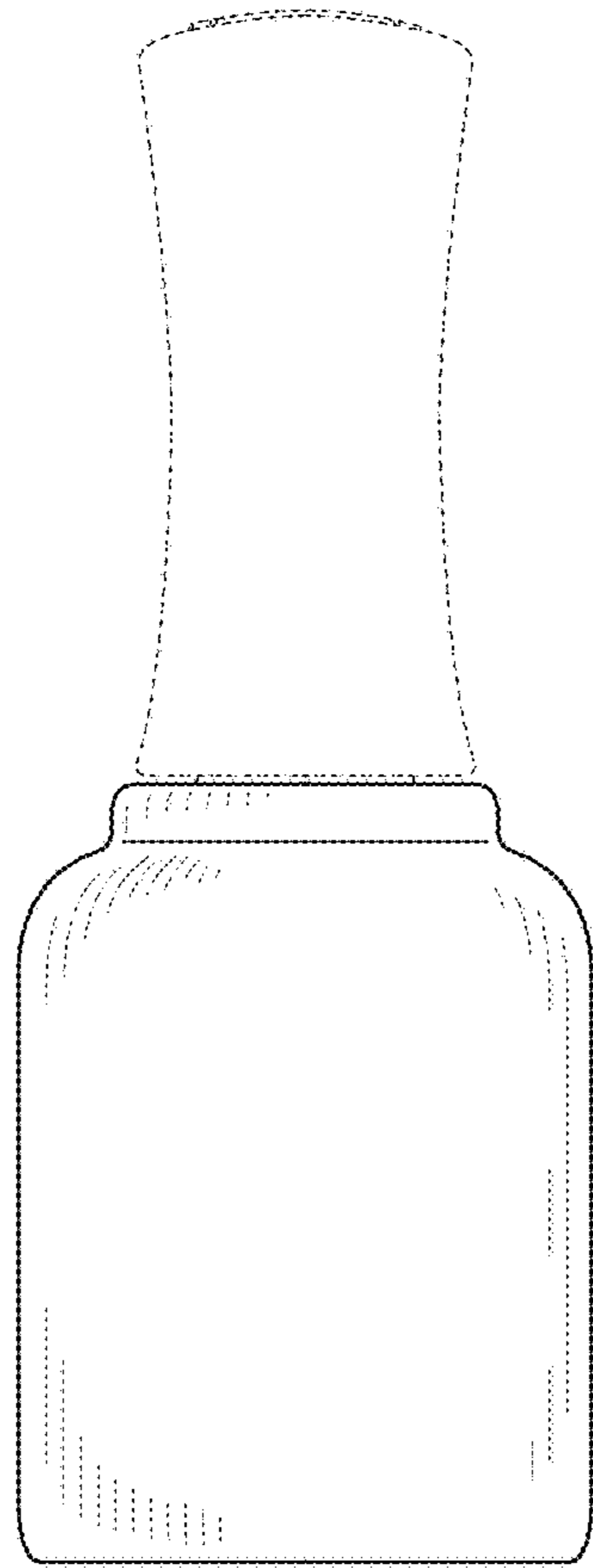
**FIG. 1**



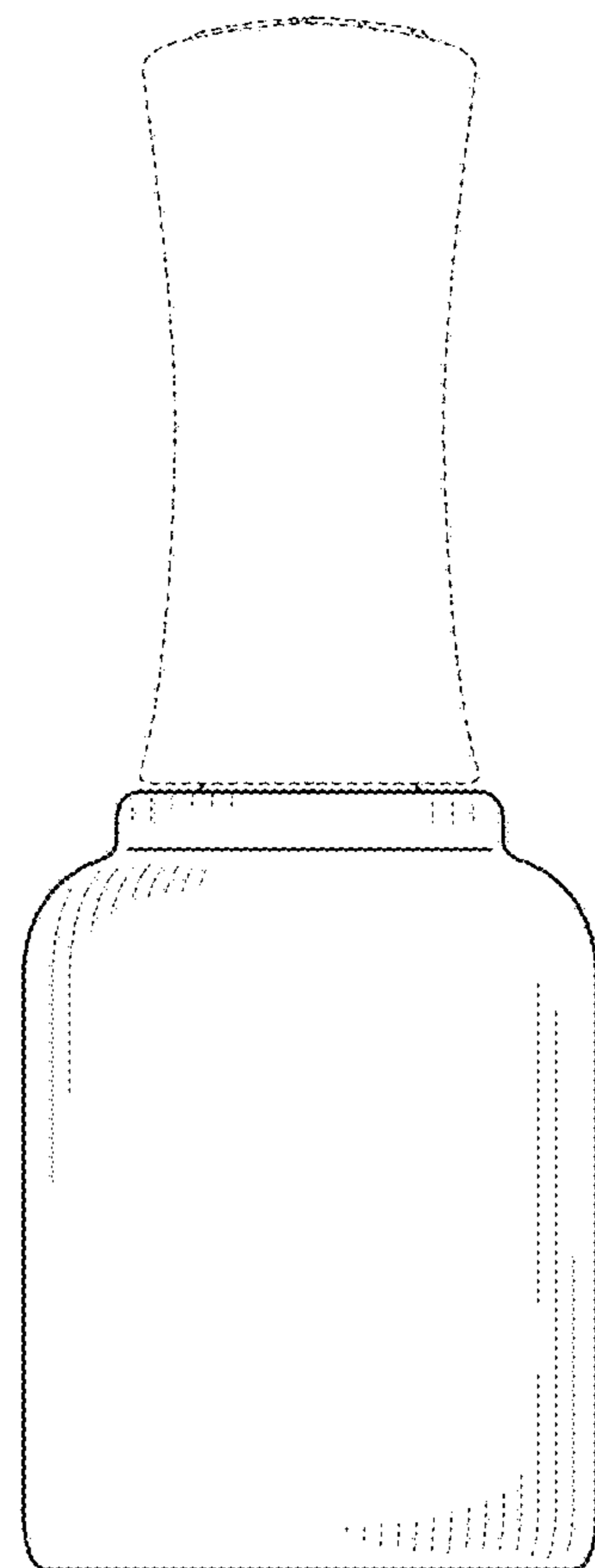
**FIG. 2**



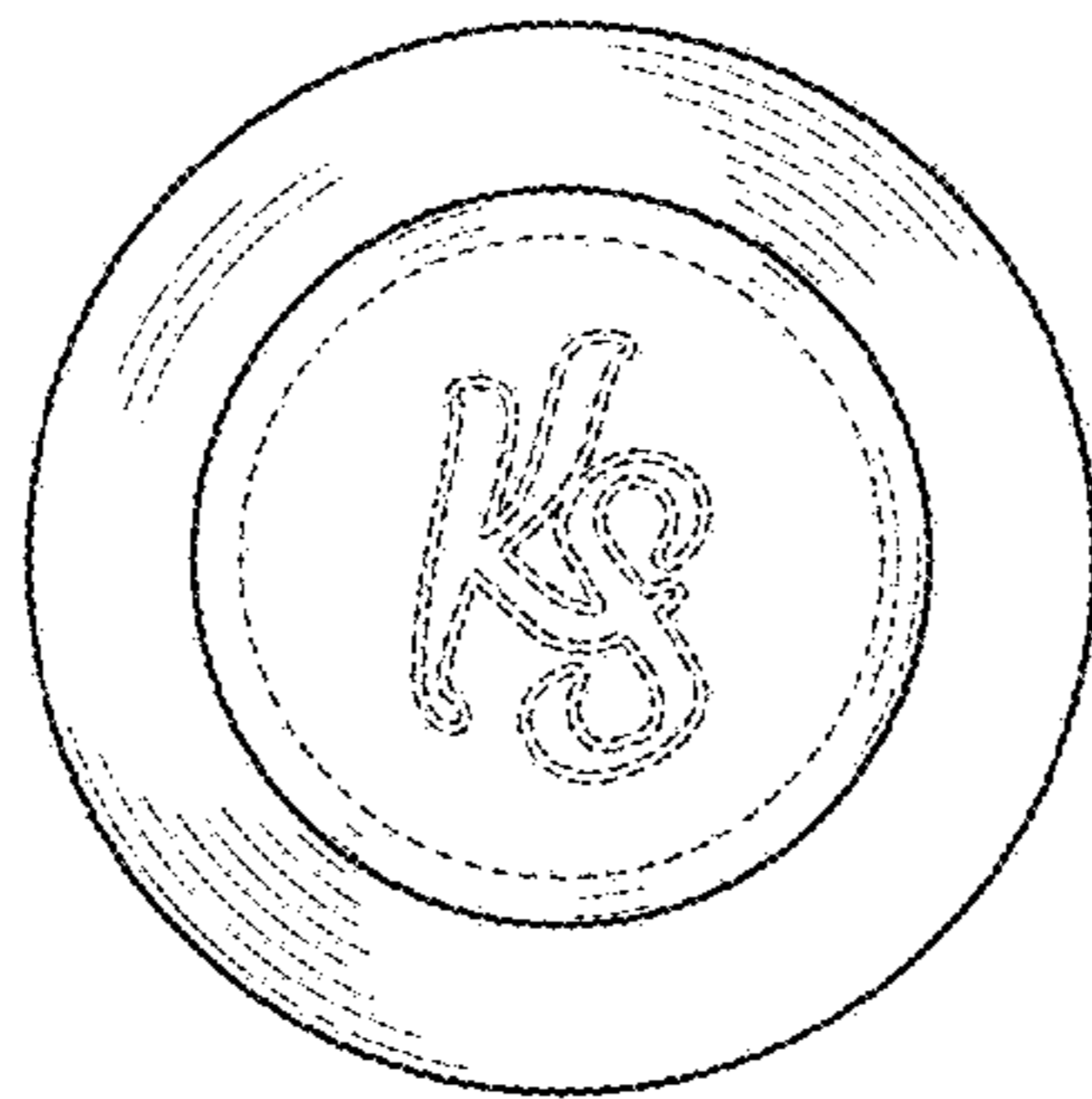
**FIG. 3**



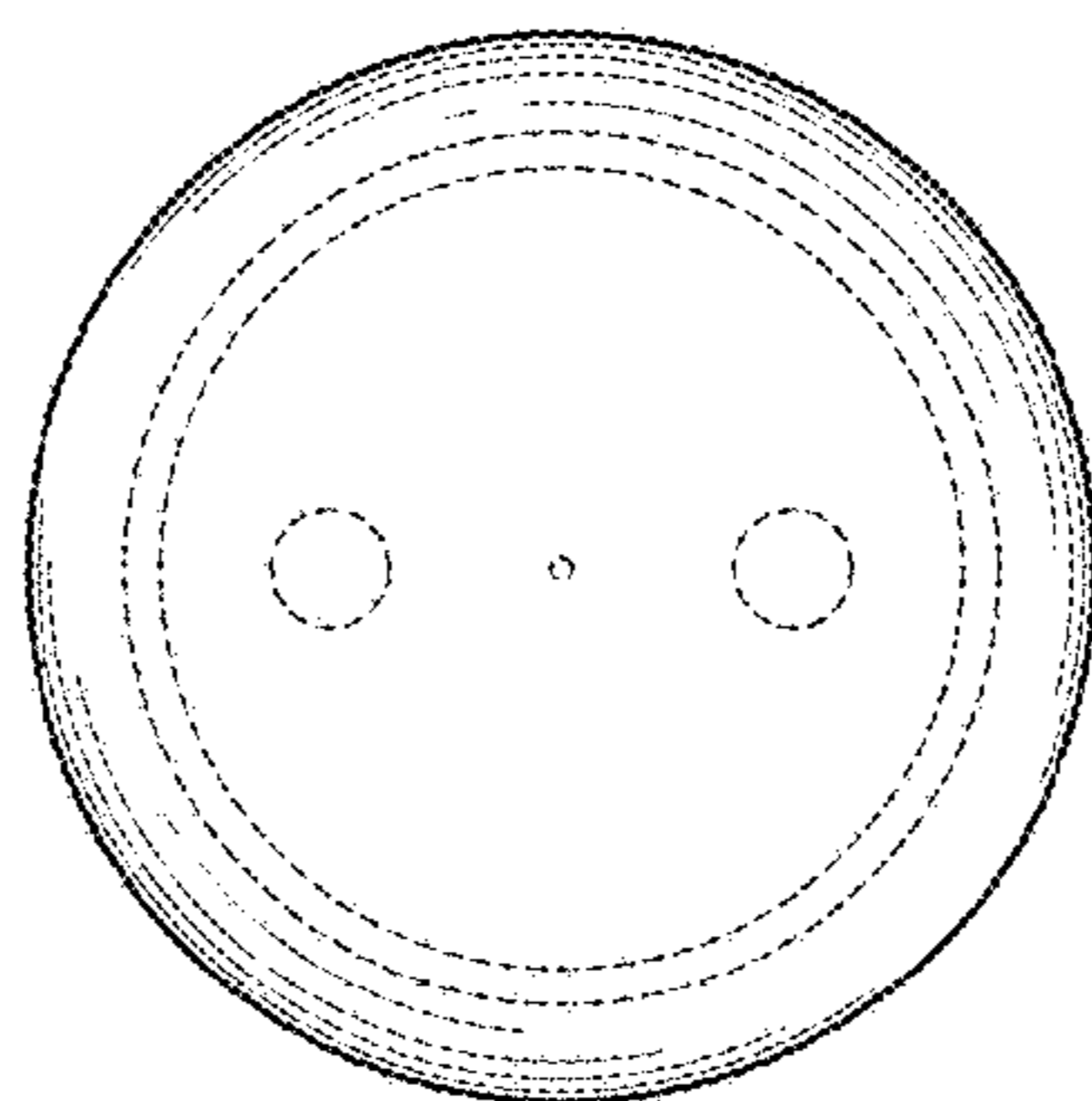
**FIG. 4**



**FIG. 5**



**FIG. 6**



**FIG. 7**

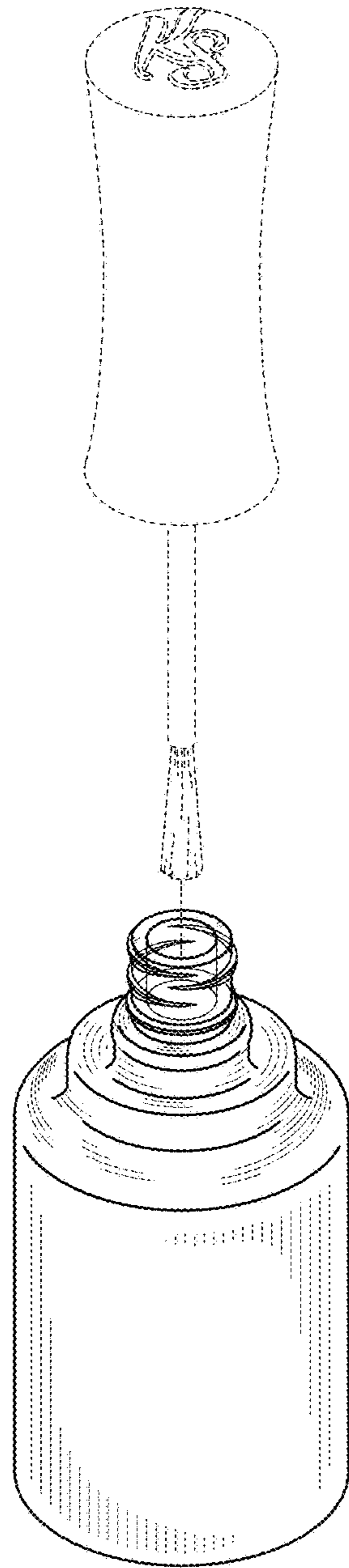
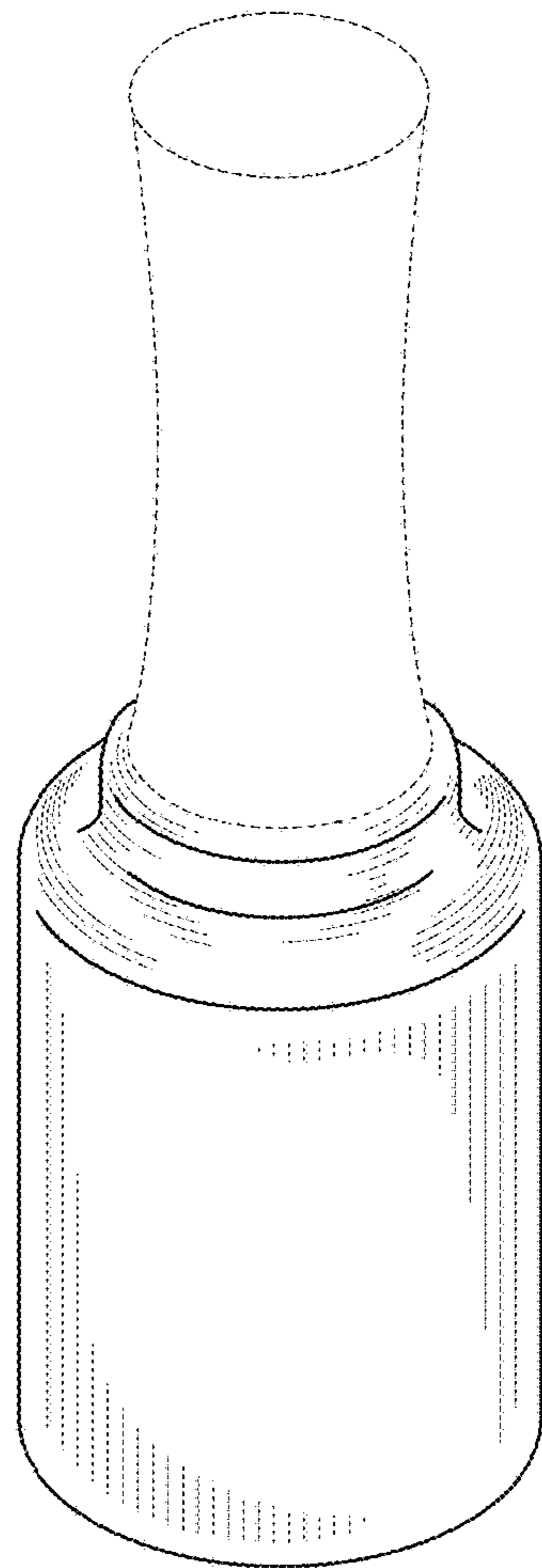
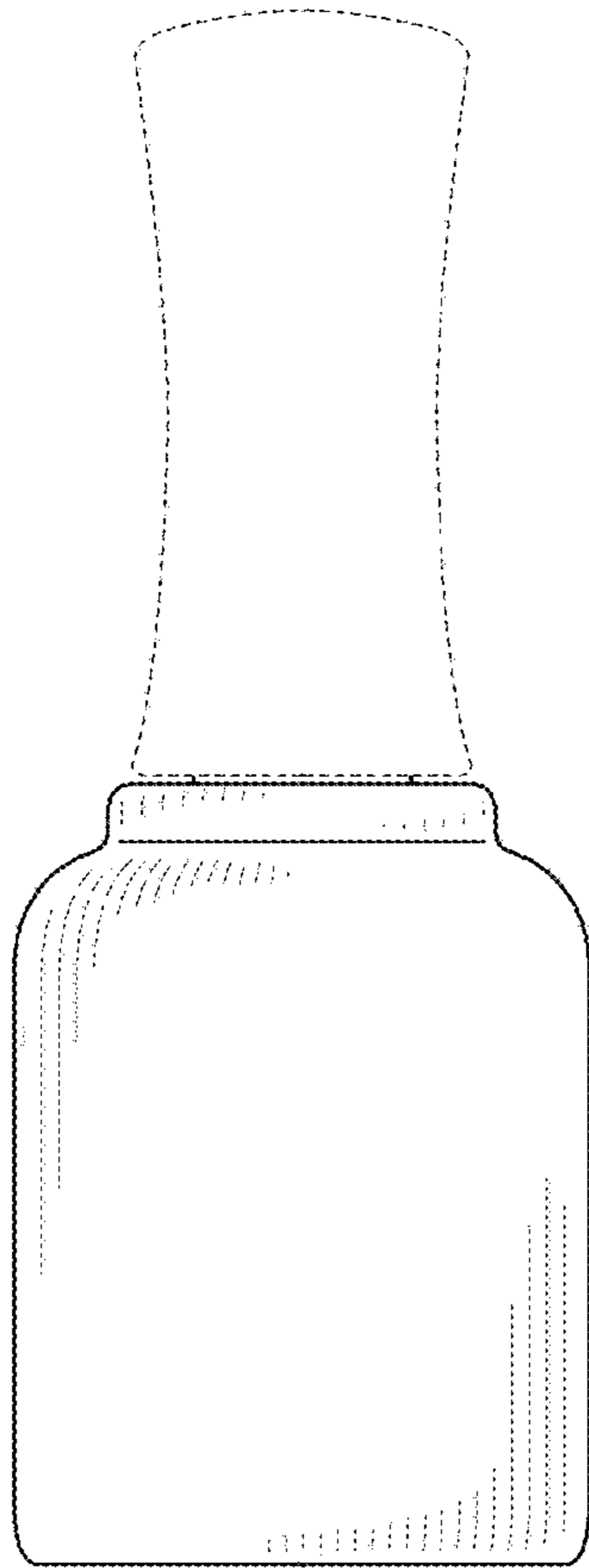


FIG. 8

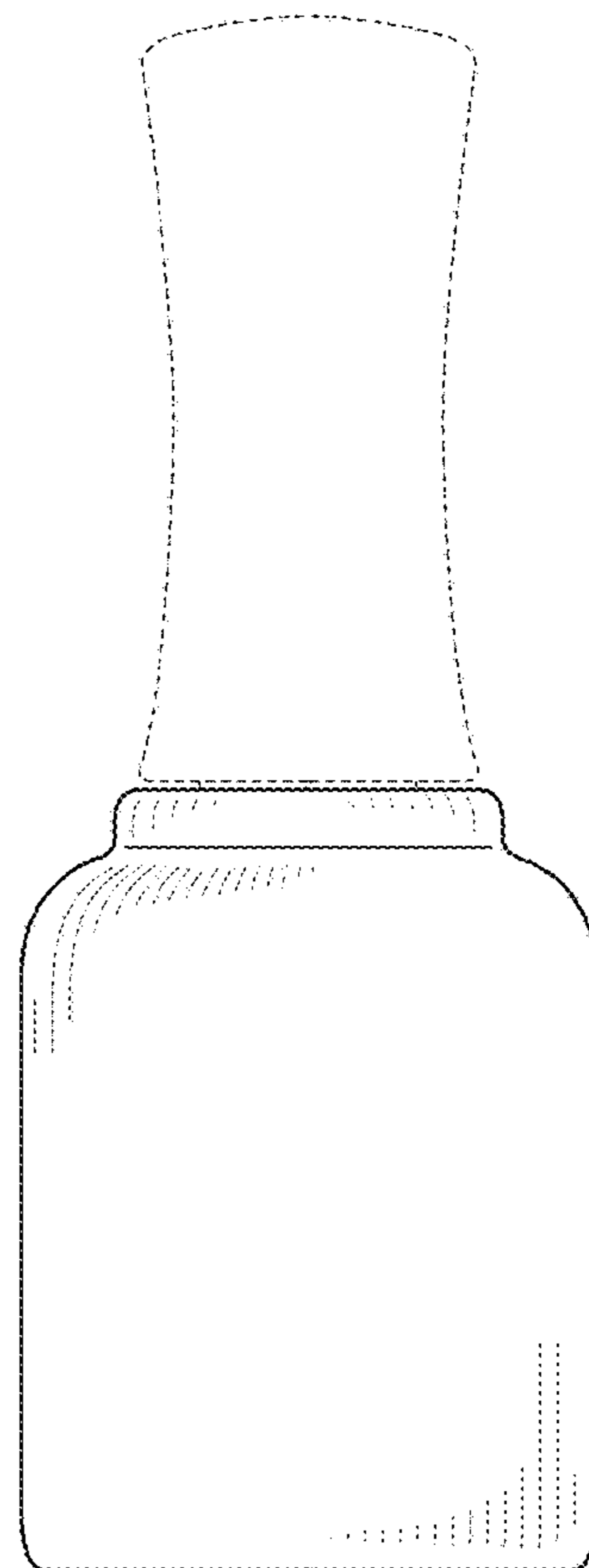


**FIG. 9**

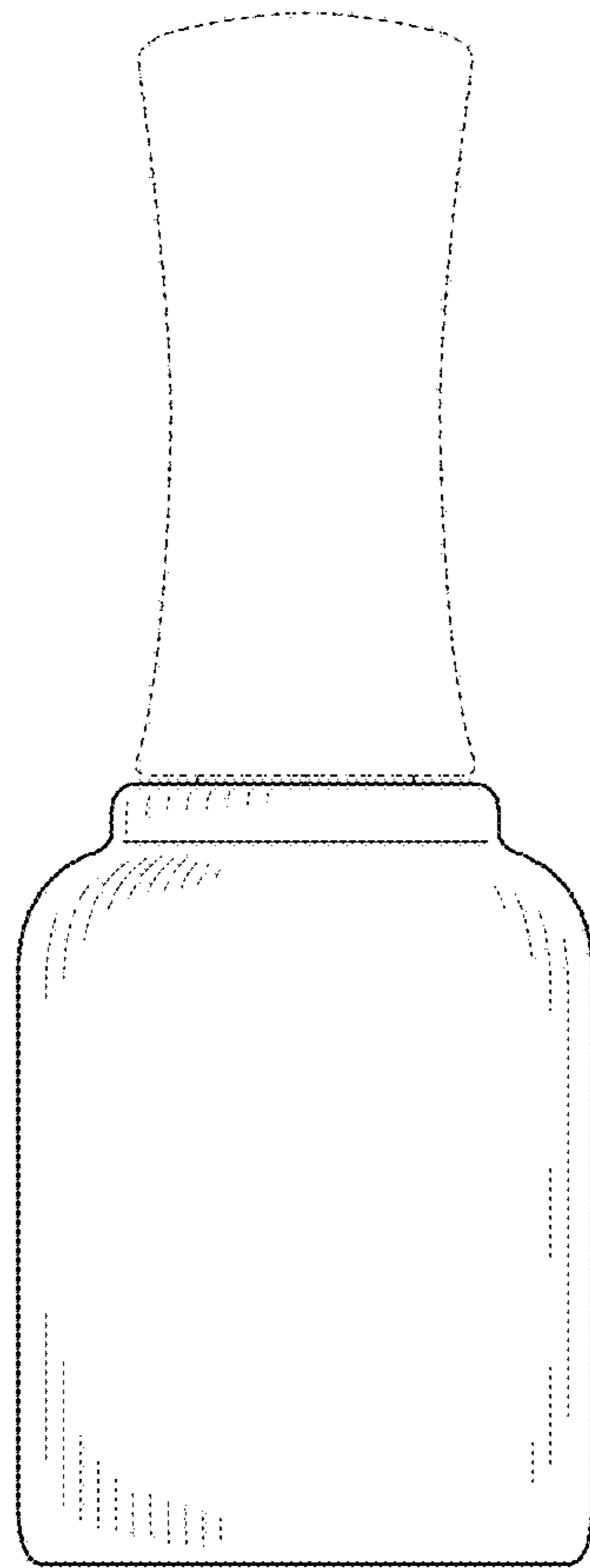




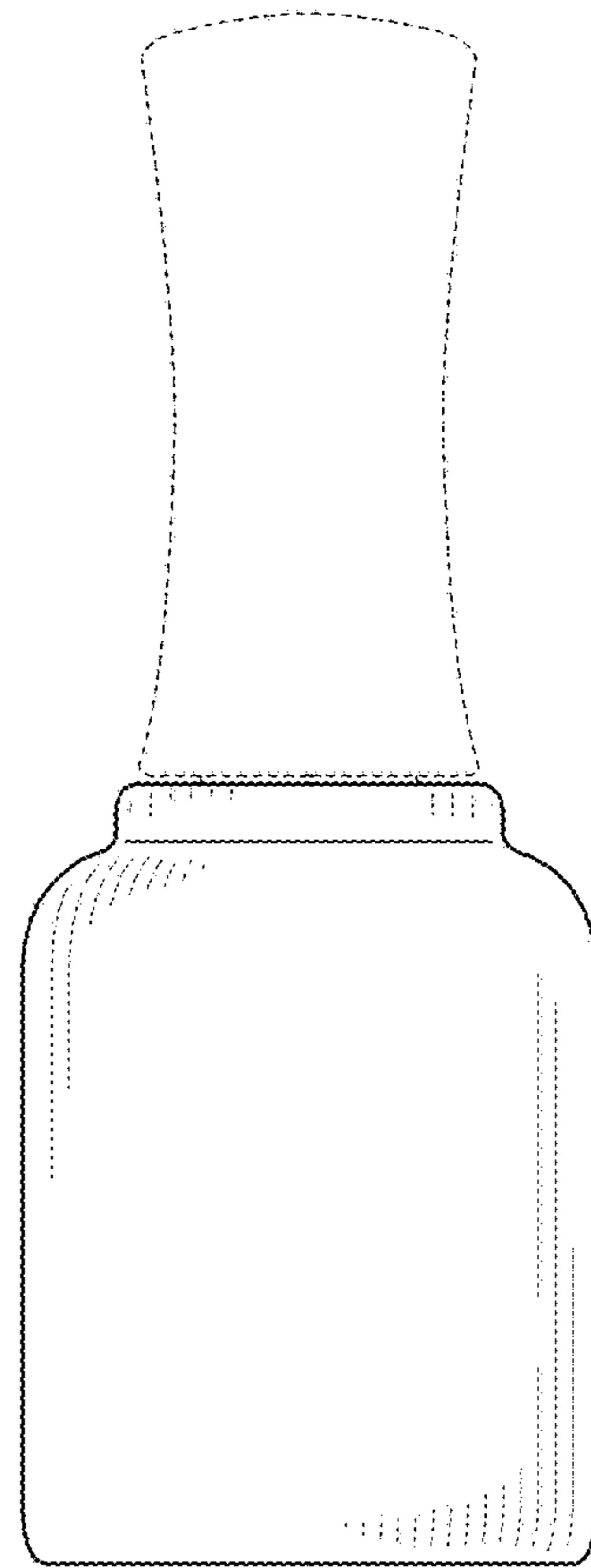
**FIG. 10**



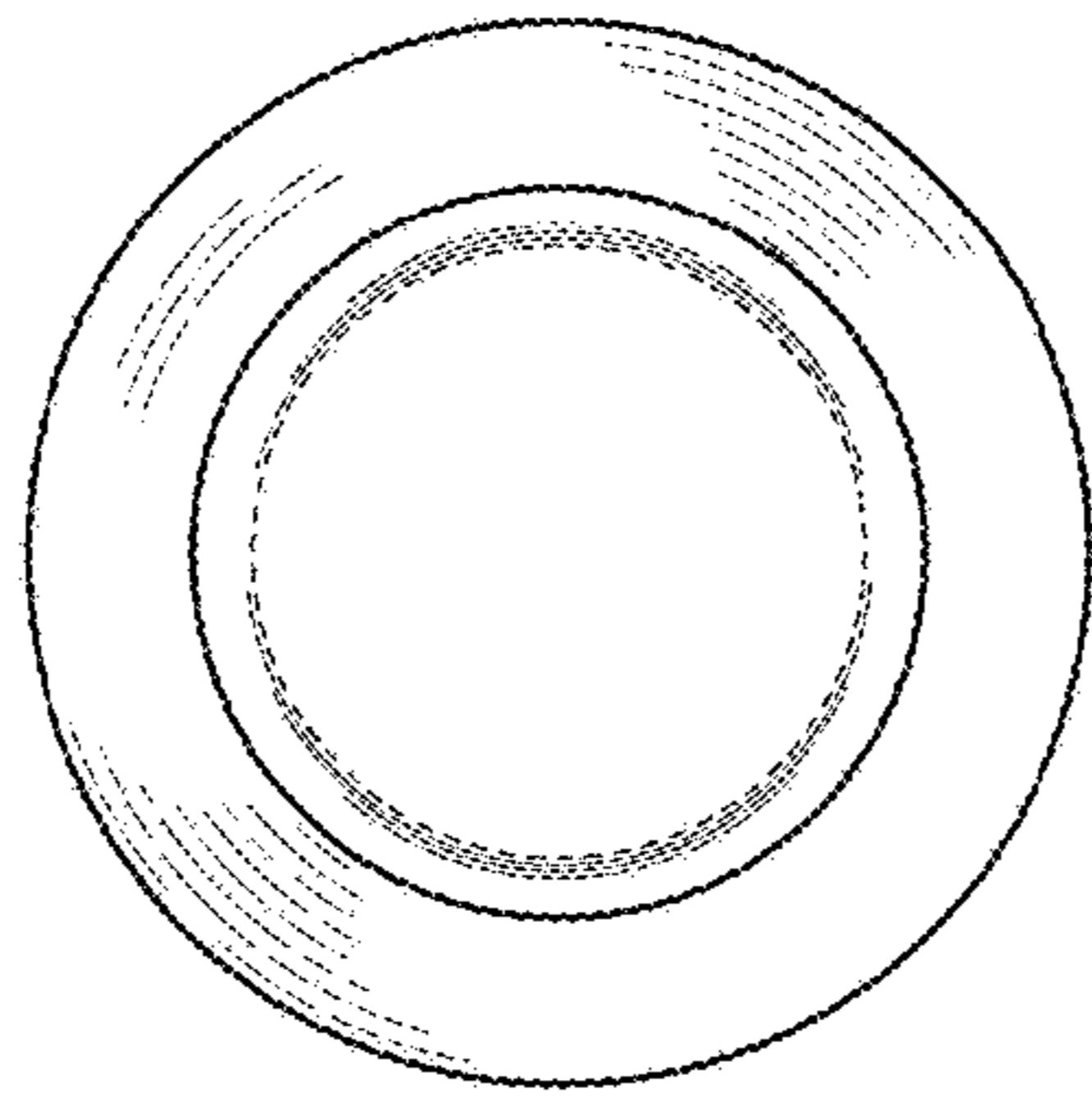
**FIG. 11**



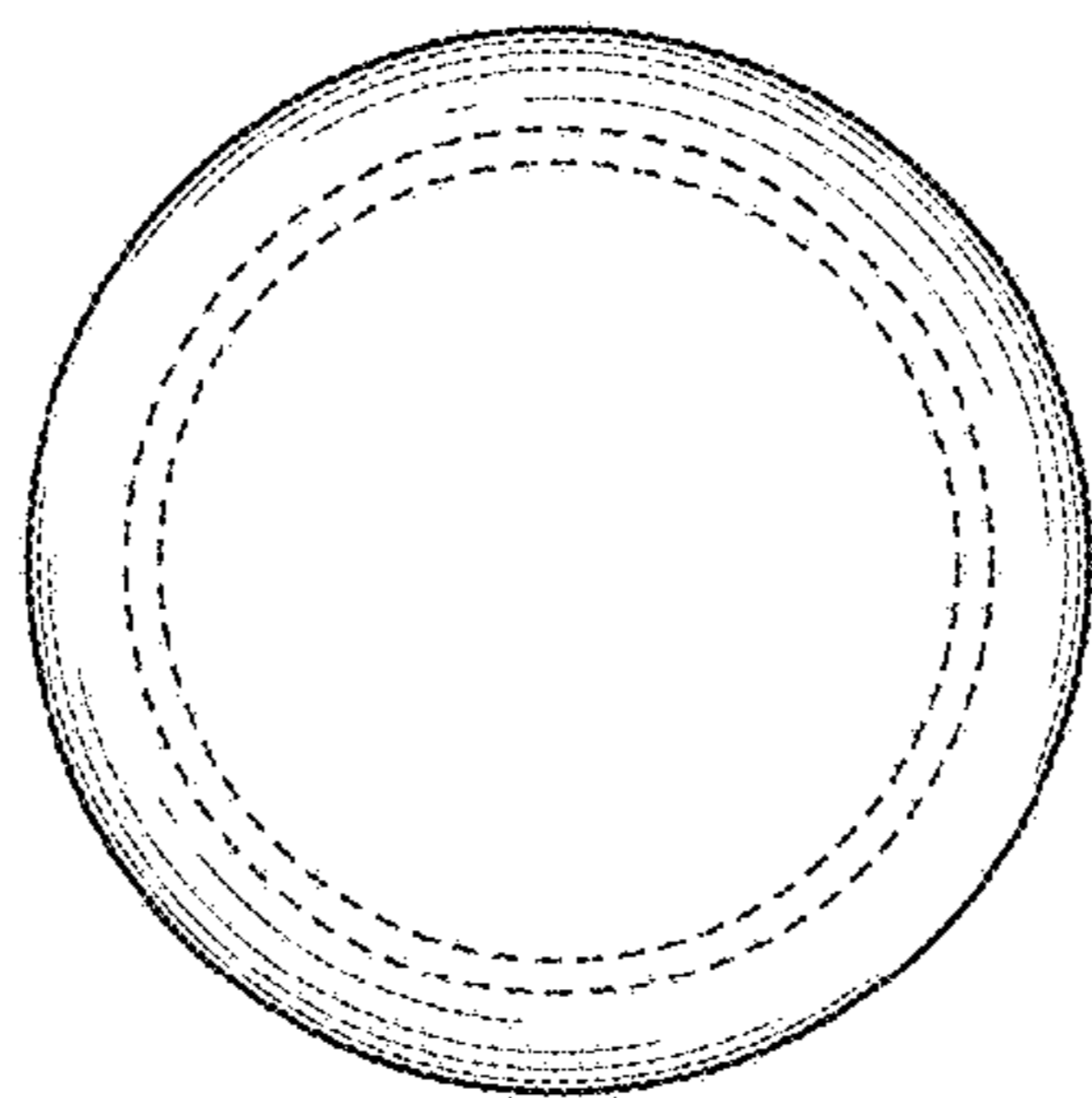
**FIG. 12**



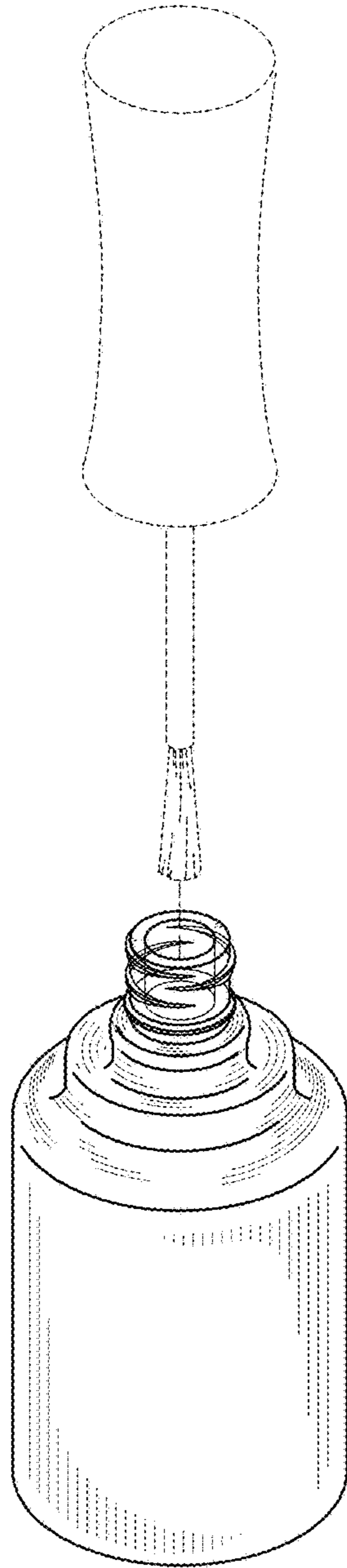
**FIG. 13**



**FIG. 14**



**FIG. 15**



**FIG. 16**