



US00D836441S

(12) **United States Design Patent** (10) **Patent No.:** **US D836,441 S**
Huang (45) **Date of Patent:** **** Dec. 25, 2018**

- (54) **ANTI-THEFT CAP FOR A MEDICINE BOTTLE** 5,263,615 A * 11/1993 Anderson B65D 1/0223
222/212
- (71) Applicant: **CHIN-TAI PHARMACEUTICAL PLASTIC LTD.**, Changhua (TW) D472,144 S * 3/2003 Hierzer D9/435
D530,611 S * 10/2006 Nusbaum D9/449
D531,900 S * 11/2006 Mavin D9/447
D546,181 S * 7/2007 Biesecker D9/453
D548,081 S * 8/2007 Noonan D9/453
D582,276 S * 12/2008 Hyde D9/453
8,403,159 B2 * 3/2013 Antier B65D 47/0861
215/216
- (72) Inventor: **Chun-Hung Huang**, Changhua (TW) D691,479 S * 10/2013 Bea D9/447
D695,115 S * 12/2013 Juna D9/447
8,608,001 B2 * 12/2013 Stoneberg B65D 47/0819
215/235
- (73) Assignee: **CHIN-TAI PHARMACEUTICAL PLASTIC LTD.**, Changhua (TW)
- (**) Term: **15 Years**

(Continued)

- (21) Appl. No.: **29/611,988**
- (22) Filed: **Jul. 27, 2017**
- (51) **LOC (11) Cl.** **09-07**
- (52) **U.S. Cl.**
USPC **D9/453**
- (58) **Field of Classification Search**
USPC D9/428, 429, 434, 435, 442, 443,
D9/445-450, 453-456, 499, 682, 684,
D9/685, 726; D7/387, 388, 392, 392.1,
D7/393, 396.2, 396.3, 396.4, 401.1, 408,
D7/504, 507, 509-511, 538, 900;
D3/202, 203.2, 318; D28/91.1
CPC .. A61J 1/00; A61J 1/1412; B65D 1/00; B65D
1/02; B65D 1/10; B65D 1/46; B65D
2585/56; B65D 2585/545; B65D 41/00;
B65D 41/38; B65D 41/56; B65D 41/62;
B65D 47/00; B65D 47/06; B65D 47/08;
B65D 2543/00046; B65D 2543/00092;
B65D 2543/00296; B65D 5/46; B65D
2251/00
See application file for complete search history.

Primary Examiner — Michael A. Pratt
Assistant Examiner — Wendy L Arminio
(74) *Attorney, Agent, or Firm* — Jackson IPG PLLC;
Demian K. Jackson

(57) **CLAIM**

The ornamental design for an anti-theft cap for a medicine bottle, as shown.

DESCRIPTION

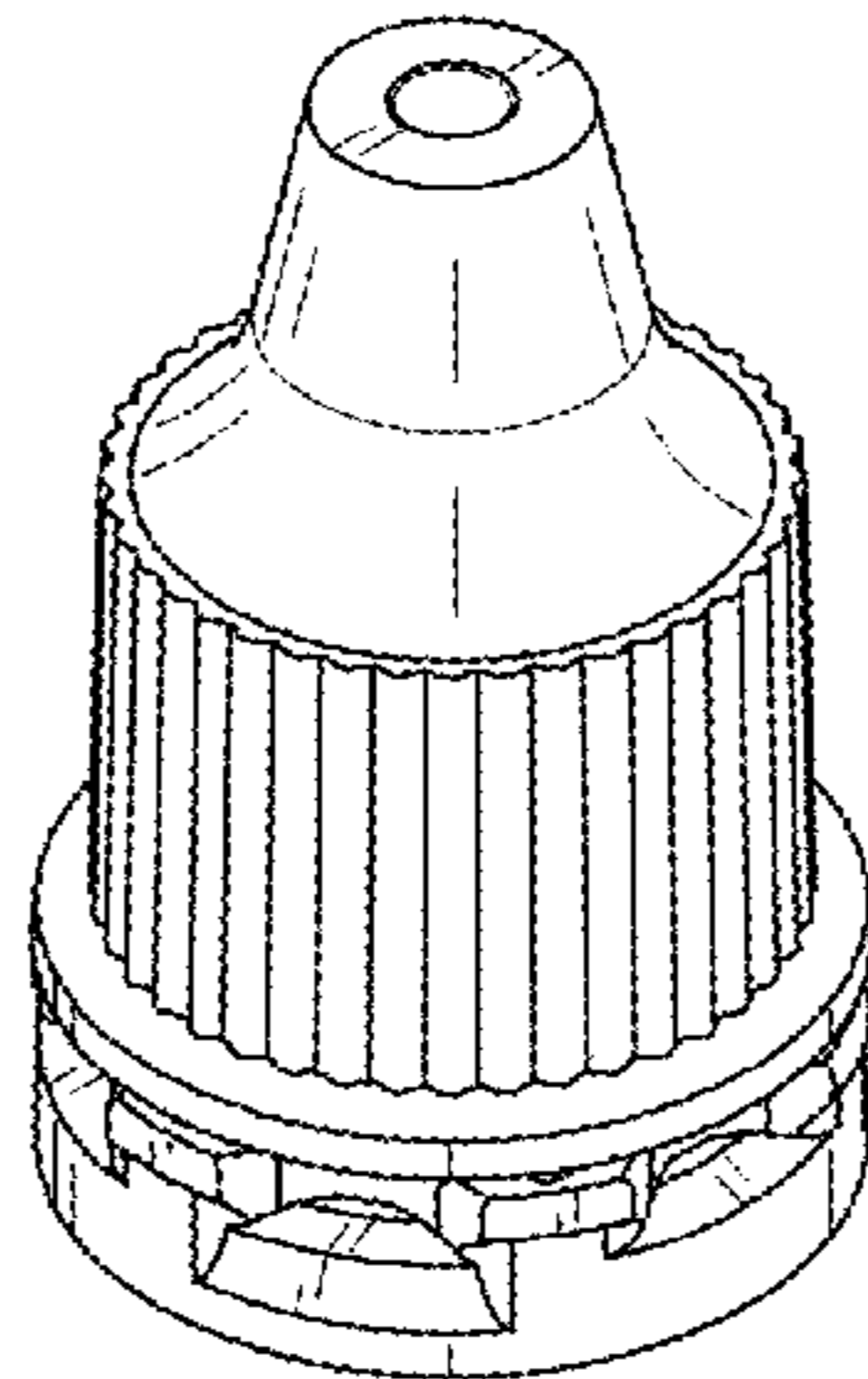
FIG. 1 is a front view of an anti-theft cap for a medicine bottle showing my new design;
FIG. 2 is a rear view thereof;
FIG. 3 is a left view thereof;
FIG. 4 is a right view thereof;
FIG. 5 is a top view thereof;
FIG. 6 is a bottom view thereof;
FIG. 7 is a perspective view thereof; and,
FIG. 8 is another perspective view thereof shown in a position of use attached to a bottle drawn in broken lines. The dash-dash broken lines in FIG. 6 depict portions of the anti-theft cap for a medicine bottle that form no part of the claimed design. The dot-dot-dash broken lines in FIG. 8 illustrating a bottle depict environment and form no part of the claimed design.

1 Claim, 8 Drawing Sheets

(56) **References Cited**

U.S. PATENT DOCUMENTS

- D175,095 S * 7/1955 St. Clair D9/453
- D264,941 S * 6/1982 Stock D24/115
- D280,492 S * 9/1985 Greaves D9/453



(56)

References Cited

U.S. PATENT DOCUMENTS

D763,078 S	*	8/2016	Roy	D9/434
D768,492 S	*	10/2016	Kim	D9/434
D811,220 S	*	2/2018	Bohorquez Montenegro	D9/453

* cited by examiner

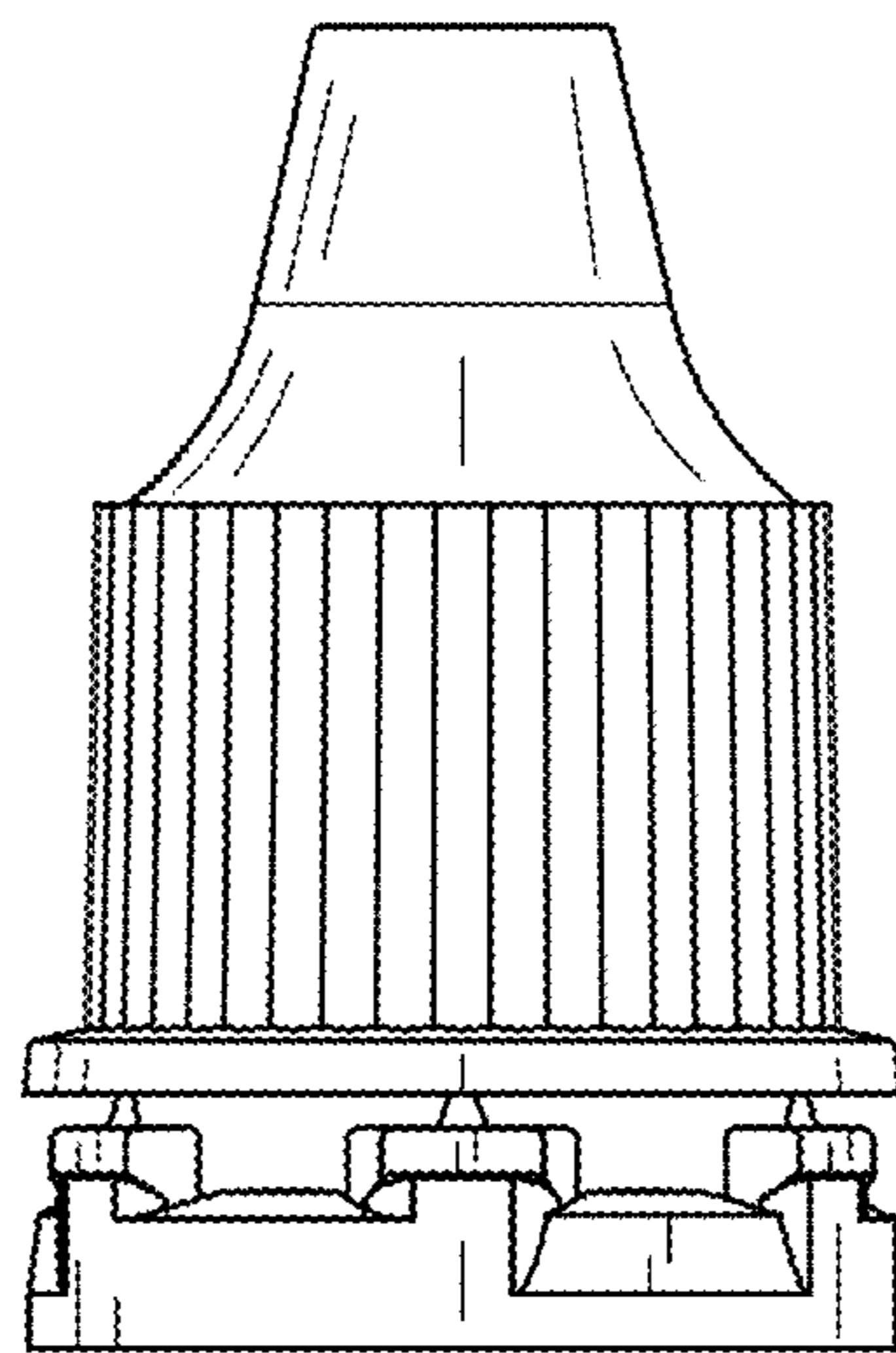


FIG.1

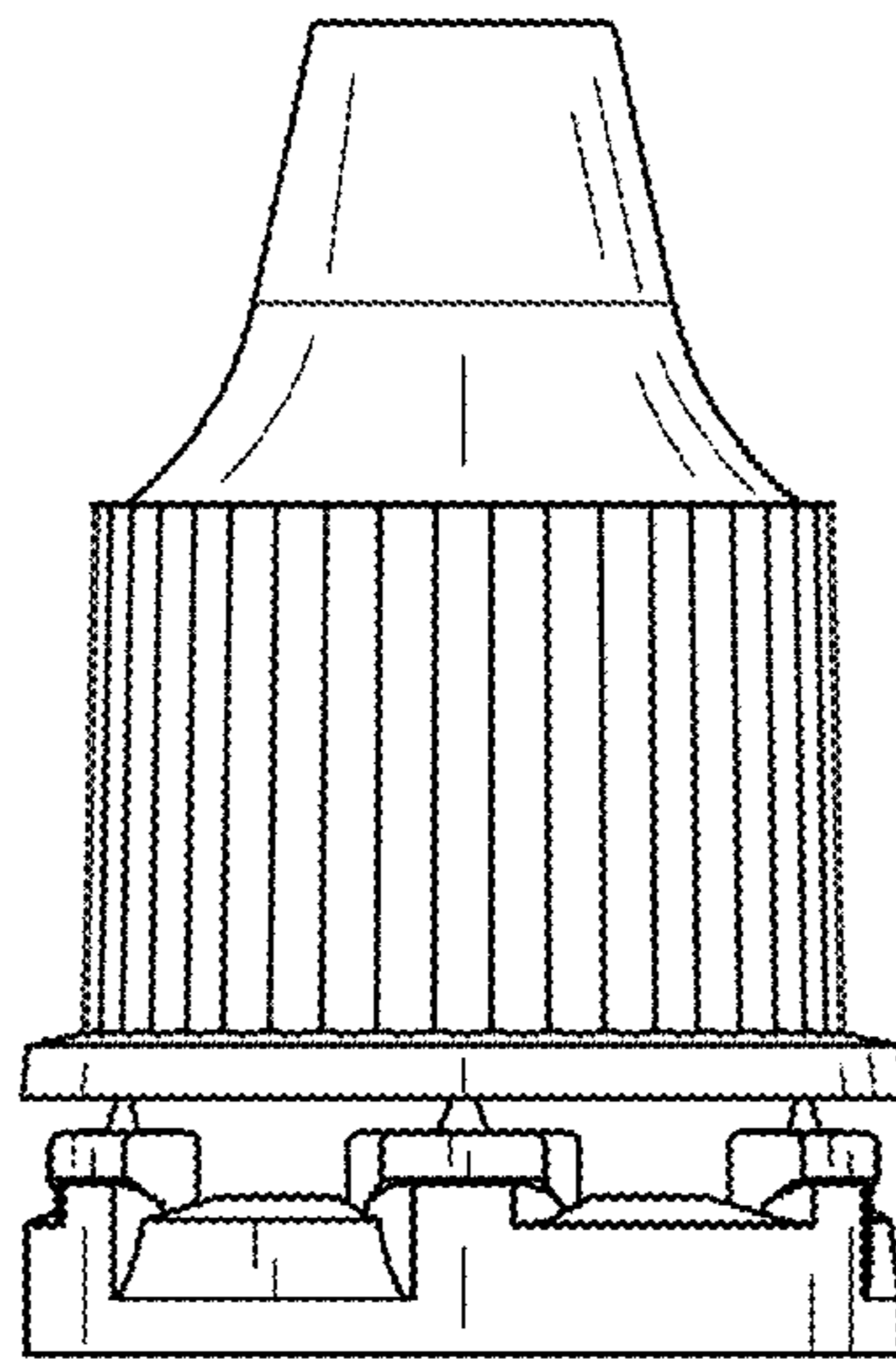


FIG.2

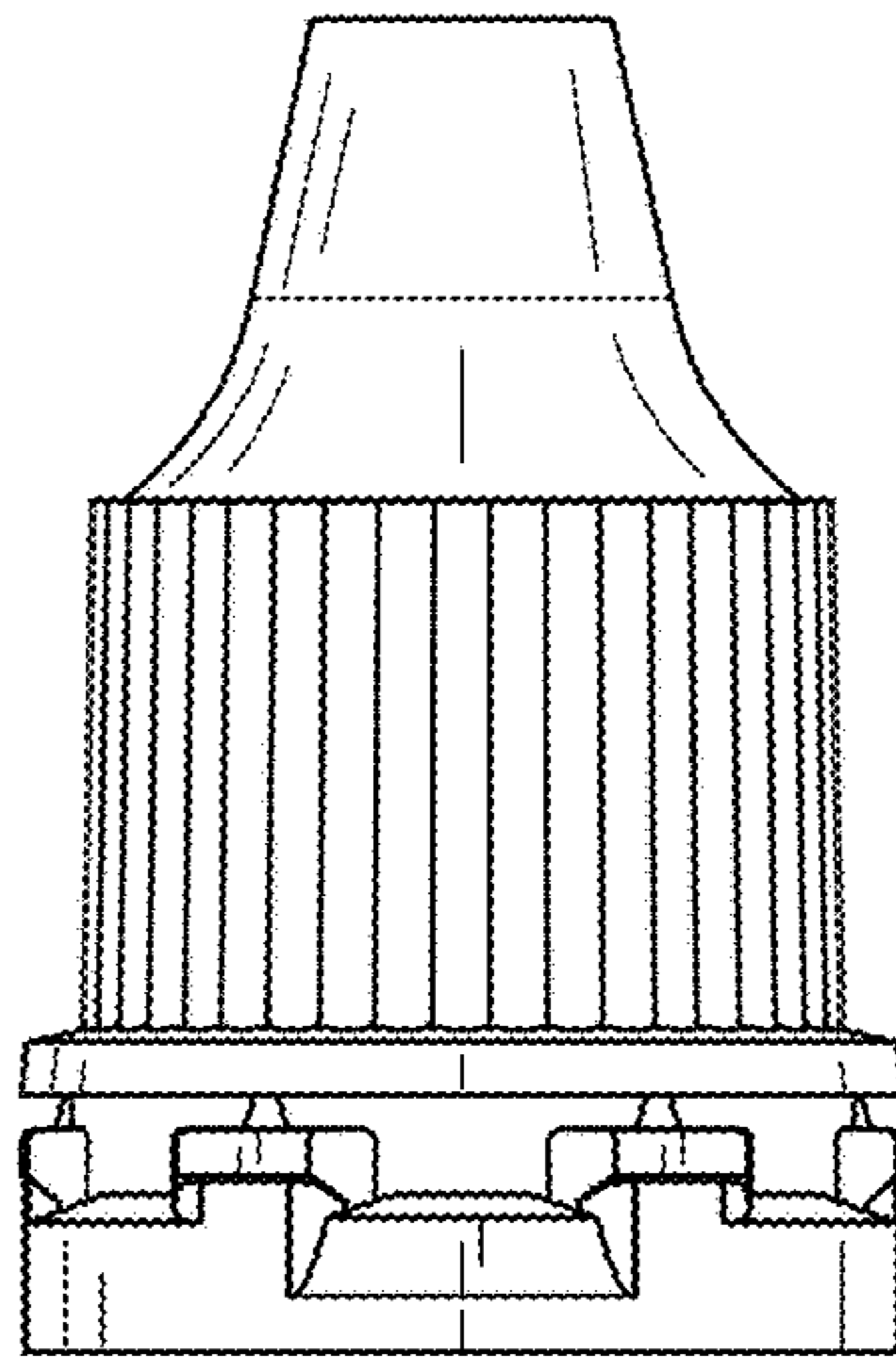


FIG.3

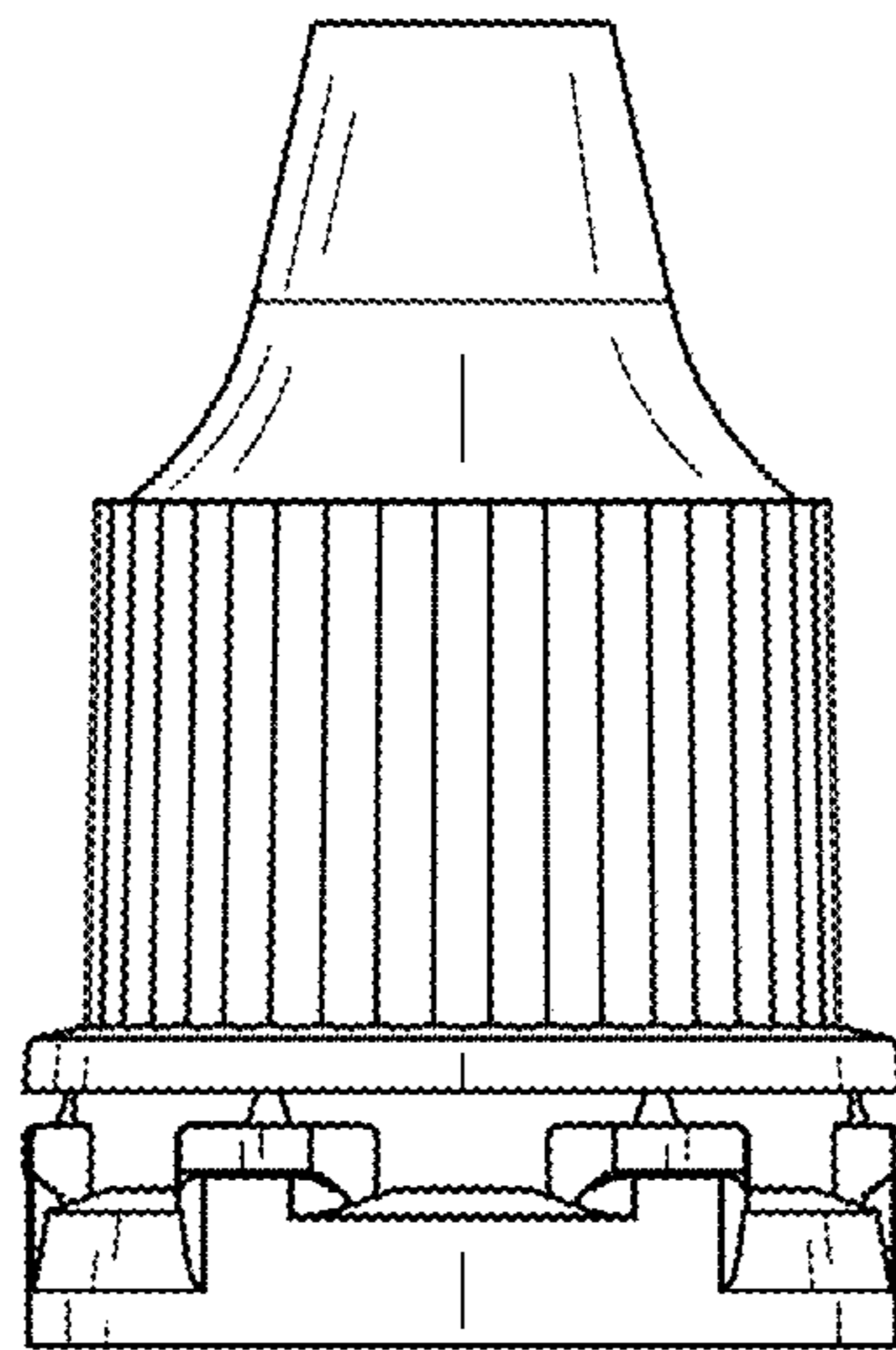


FIG.4

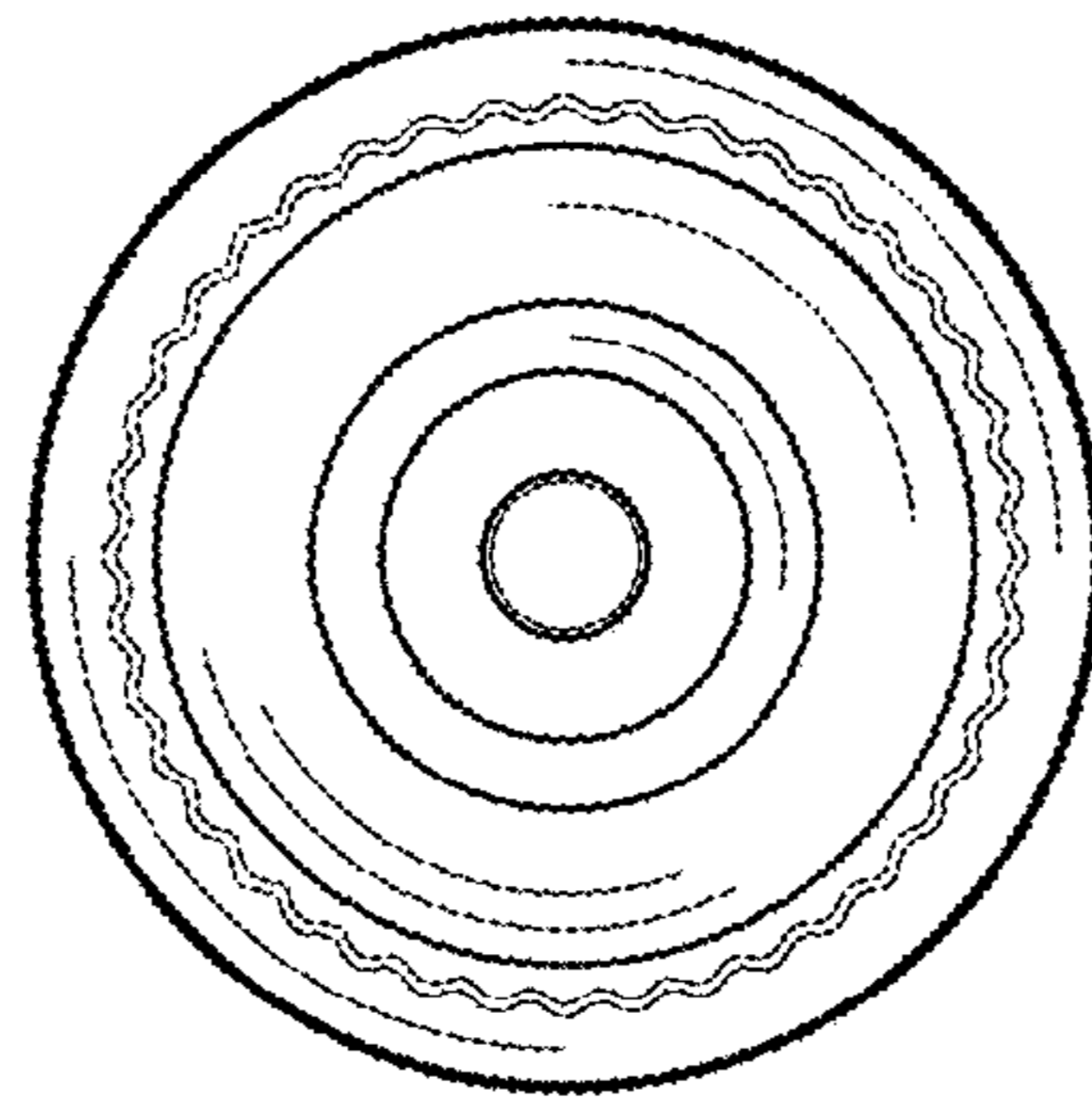


FIG.5

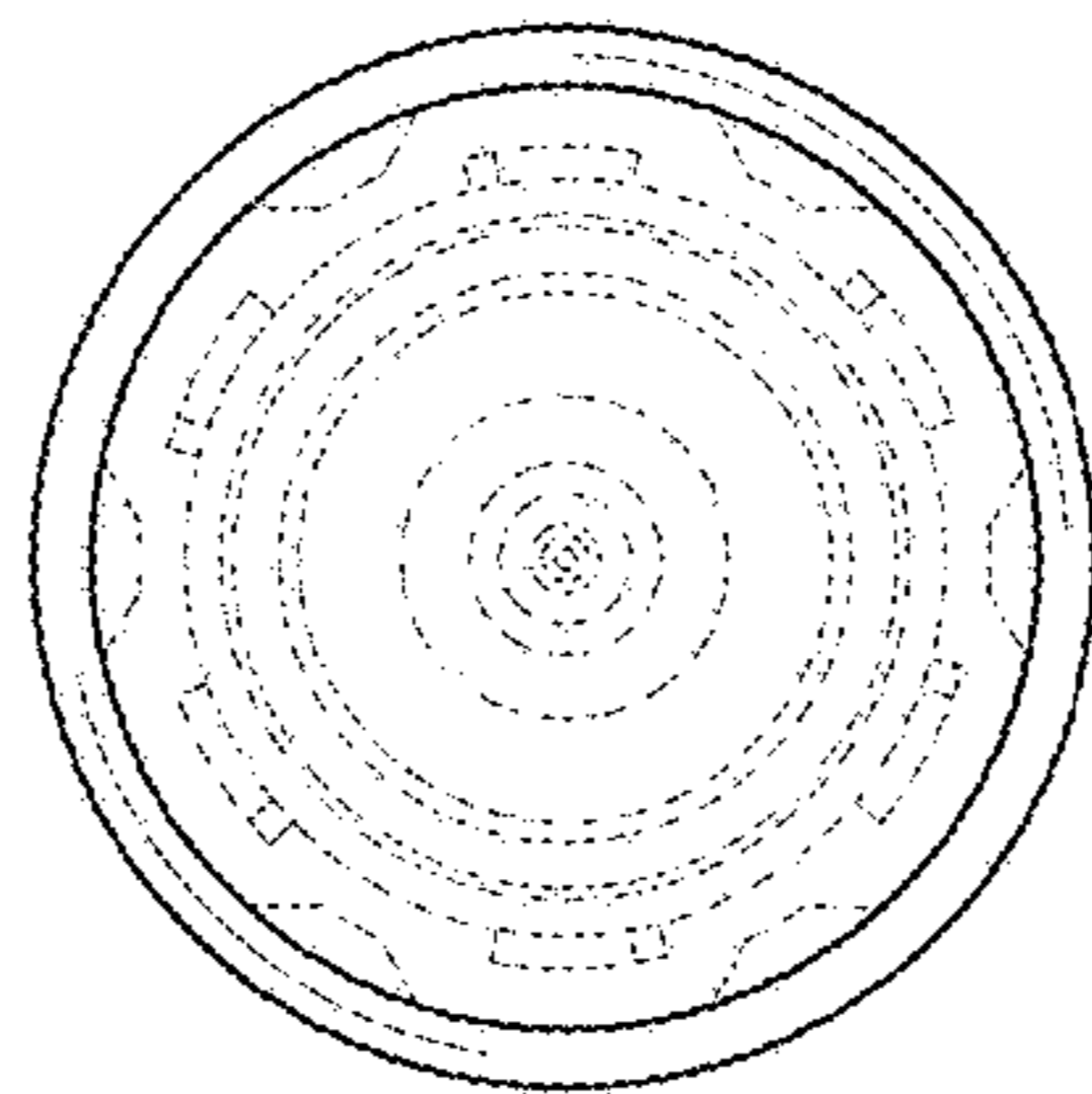


FIG. 6

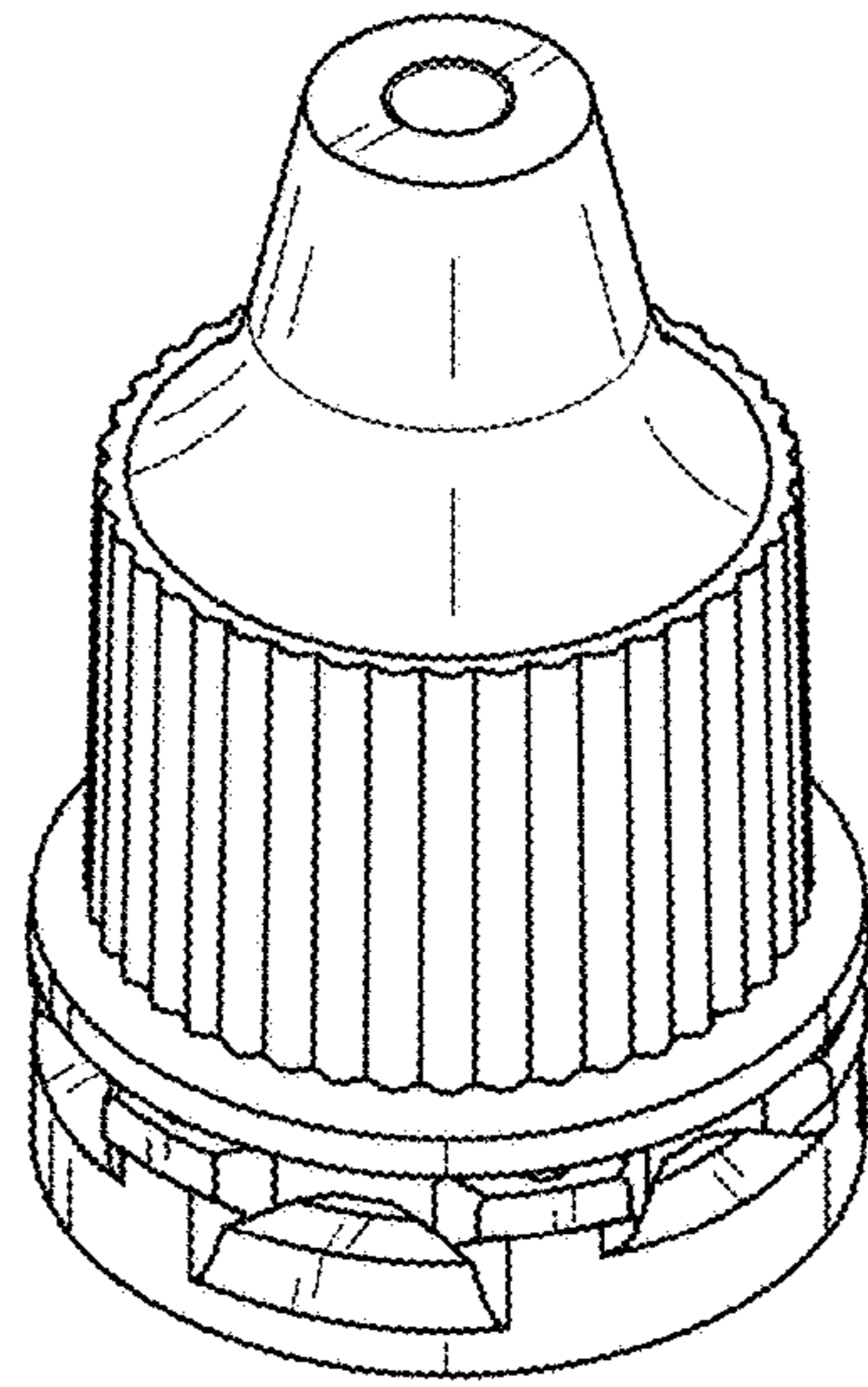


FIG.7

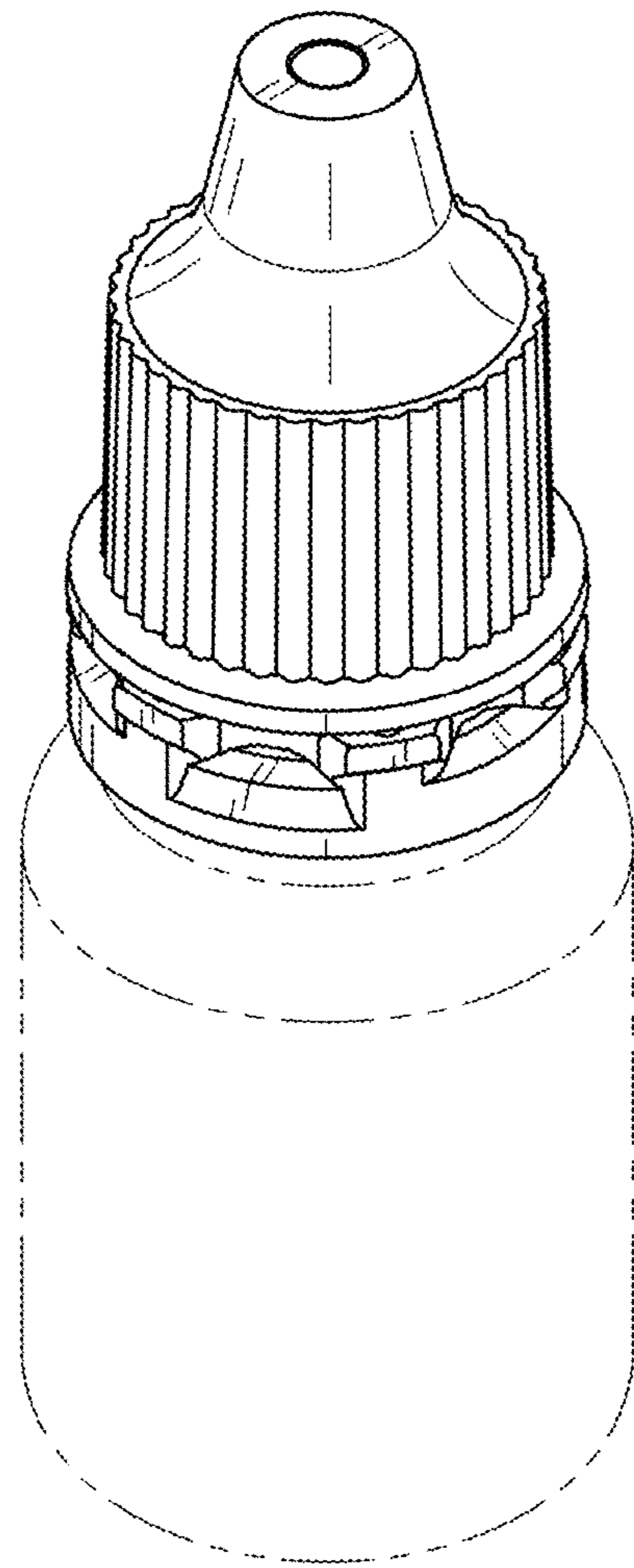


FIG.8