



US00D836440S

(12) **United States Design Patent** (10) **Patent No.:** **US D836,440 S**
Girins (45) **Date of Patent:** **** Dec. 25, 2018**

(54) **CLOSURE**

(71) Applicant: **Silgan White Cap LLC**, Downers Grove, IL (US)

(72) Inventor: **Sergejs Girins**, Isernhagen (DE)

(73) Assignee: **Silgan White Cap LLC**, Downers Grove, IL (US)

(**) Term: **15 Years**

(21) Appl. No.: **29/590,931**

(22) Filed: **Jan. 13, 2017**

(30) **Foreign Application Priority Data**

Jul. 22, 2016 (EM) 003316694

(51) **LOC (11) Cl.** **09-07**

(52) **U.S. Cl.**
USPC **D9/453**

(58) **Field of Classification Search**
USPC D3/202; D7/392, 392.1, 396.2, 511, 601,
D7/602, 619.1, 620-622, 624.1;
D9/434-436, 438, 440, 443, 447,
D9/452-454, 499; D23/260, 261, 269,
D23/390, 393, 366
CPC B65D 25/48; B65D 47/06
See application file for complete search history.

(56) **References Cited**

U.S. PATENT DOCUMENTS

D32,498 S * 4/1900 Watson D23/260
D229,182 S * 11/1973 Bledsoe D23/390
4,846,236 A 7/1989 Deruntz
5,676,278 A 10/1997 Beyer et al.
D396,006 S * 7/1998 Harris D9/447
D415,027 S * 10/1999 Blazar D9/440
D417,847 S * 12/1999 Rush D7/629
D419,370 S * 1/2000 Busick D7/392
D447,410 S * 9/2001 Malmborg D9/434

D458,129 S * 6/2002 Foster D9/434
D514,446 S * 2/2006 Choi D9/449
D567,084 S * 4/2008 Batton D9/440
D571,199 S * 6/2008 Petrosino D9/435
D627,216 S * 11/2010 Fulginiti D8/499
7,909,197 B2 3/2011 Mikkelsen
D644,062 S * 8/2011 Lorenz D7/396.2
8,016,143 B2 9/2011 Perrin et al.

(Continued)

FOREIGN PATENT DOCUMENTS

DE 20309636 1/2004
EP 0816283 1/1998

(Continued)

OTHER PUBLICATIONS

Int'l Caps Company. Plastic Bottle Caps. 2015 [earliest online date], [site visited Feb. 1, 2018]. Available from Internet, <URL:http://www.intcapscompany.com/products.htm>. (Year: 2015).*

Primary Examiner — George D. Kirschbaum

Assistant Examiner — Darcey E Heflin

(74) *Attorney, Agent, or Firm* — Reinhart Boerner Van Deuren s.c.

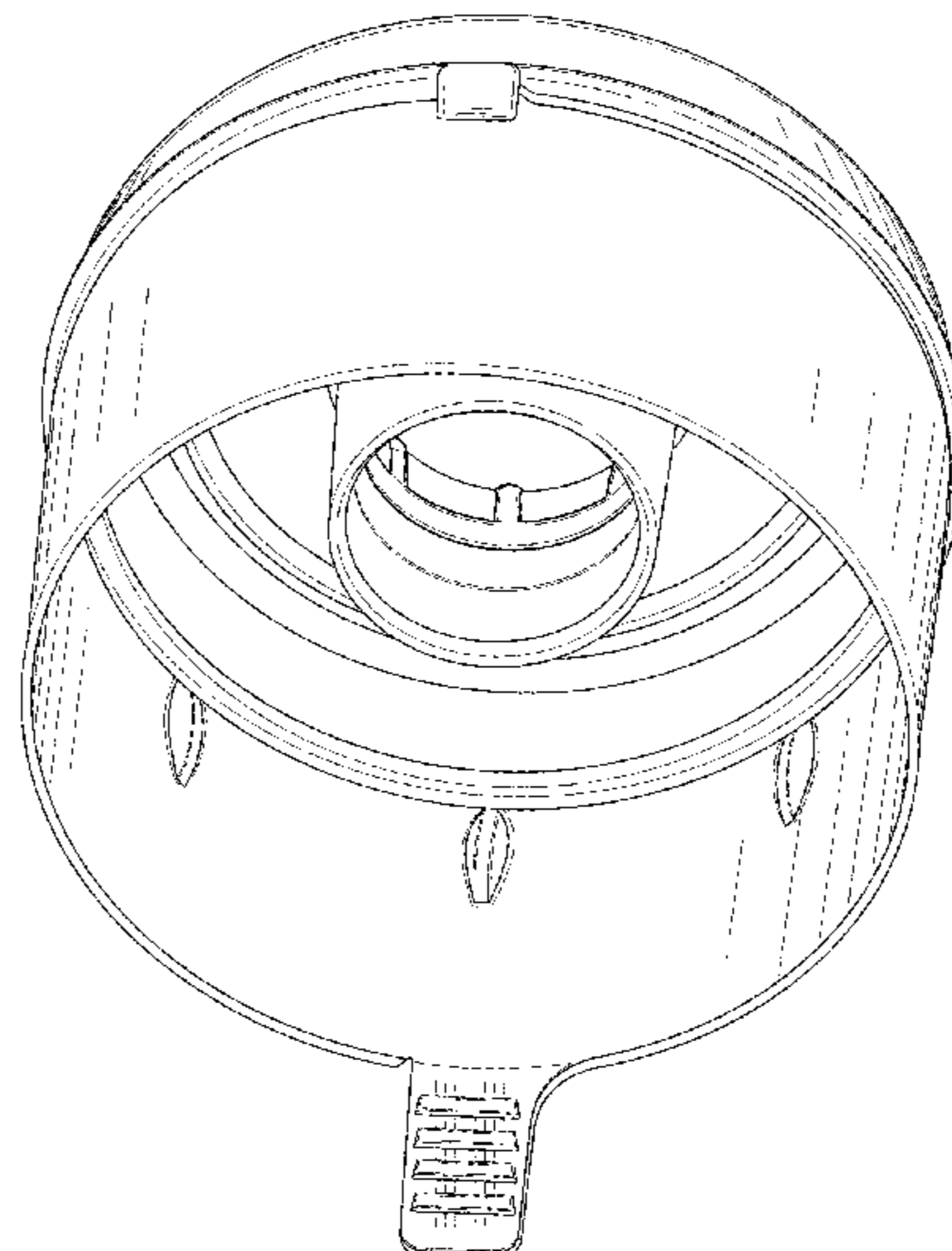
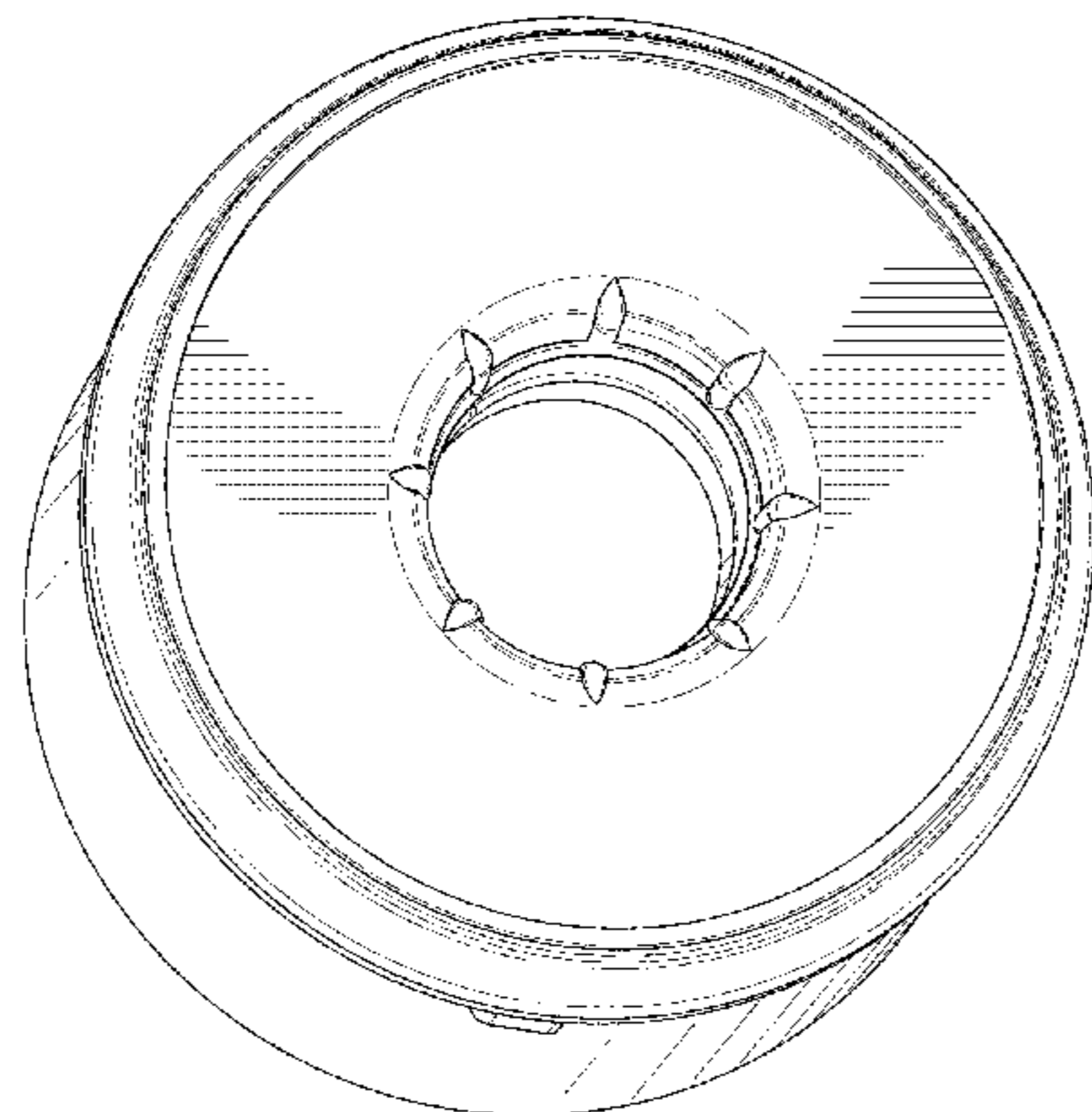
(57) **CLAIM**

I claim the ornamental design for a closure, as shown and described.

DESCRIPTION

FIG. 1 is a top perspective view of the claimed design;
FIG. 2 is a top view of FIG. 1;
FIG. 3 is a bottom view of the closure of FIG. 1;
FIG. 4 is a bottom perspective view of the closure of FIG. 1;
FIG. 5 is a front side view of the closure of FIG. 1;
FIG. 6 is a back side view of the closure of FIG. 1; and,
FIG. 7 is a cross-sectional view taken in the direction of line 7-7 of FIG. 2.

1 Claim, 7 Drawing Sheets



(56)

References Cited

U.S. PATENT DOCUMENTS

D657,848 S * 4/2012 Howson D23/261
 D667,277 S * 9/2012 Belitz D7/619.1
 D680,369 S * 4/2013 Starks D7/392.1
 8,418,866 B2 4/2013 Perrin et al.
 D716,653 S * 11/2014 Balembois D9/435
 D730,183 S * 5/2015 Fahl D24/155
 D732,957 S * 6/2015 Fox D9/447
 9,227,770 B2 1/2016 Lamoureux et al.
 D751,394 S * 3/2016 Chartier D9/440
 9,271,613 B2 3/2016 Rosko et al.
 D752,976 S * 4/2016 Koffel D9/447
 D779,325 S * 2/2017 Vigoureux D7/601
 D779,941 S * 2/2017 Koga D9/452
 D806,834 S * 1/2018 Schweitzer D23/260
 D808,263 S * 1/2018 Patel D9/436
 2005/0081953 A1 4/2005 Yui
 2016/0106272 A1 4/2016 Rosko et al.
 2016/0121525 A1 4/2016 Antier et al.

FOREIGN PATENT DOCUMENTS

EP 0918731 1/2000
 EP 1165394 4/2000
 EP 1041035 11/2003
 EP 1460030 9/2004
 EP 1594794 12/2006
 EP 2040992 1/2008
 EP 1786719 1/2012
 EP 1773678 9/2012
 EP 3028955 6/2016
 FR 2769004 12/1999
 FR 2851988 7/2005
 GB 2284410 7/1997
 GB 2314828 1/1998
 GB 2329892 1/2002
 GB 2402929 12/2004
 WO WO 9803426 1/1998
 WO WO 9919225 4/1999
 WO WO 0023345 4/2000
 WO WO 04071932 8/2004
 WO WO 06019530 2/2006
 WO WO 06026599 3/2006
 WO WO 08008385 1/2008

EP 1075451 4/1999

* cited by examiner

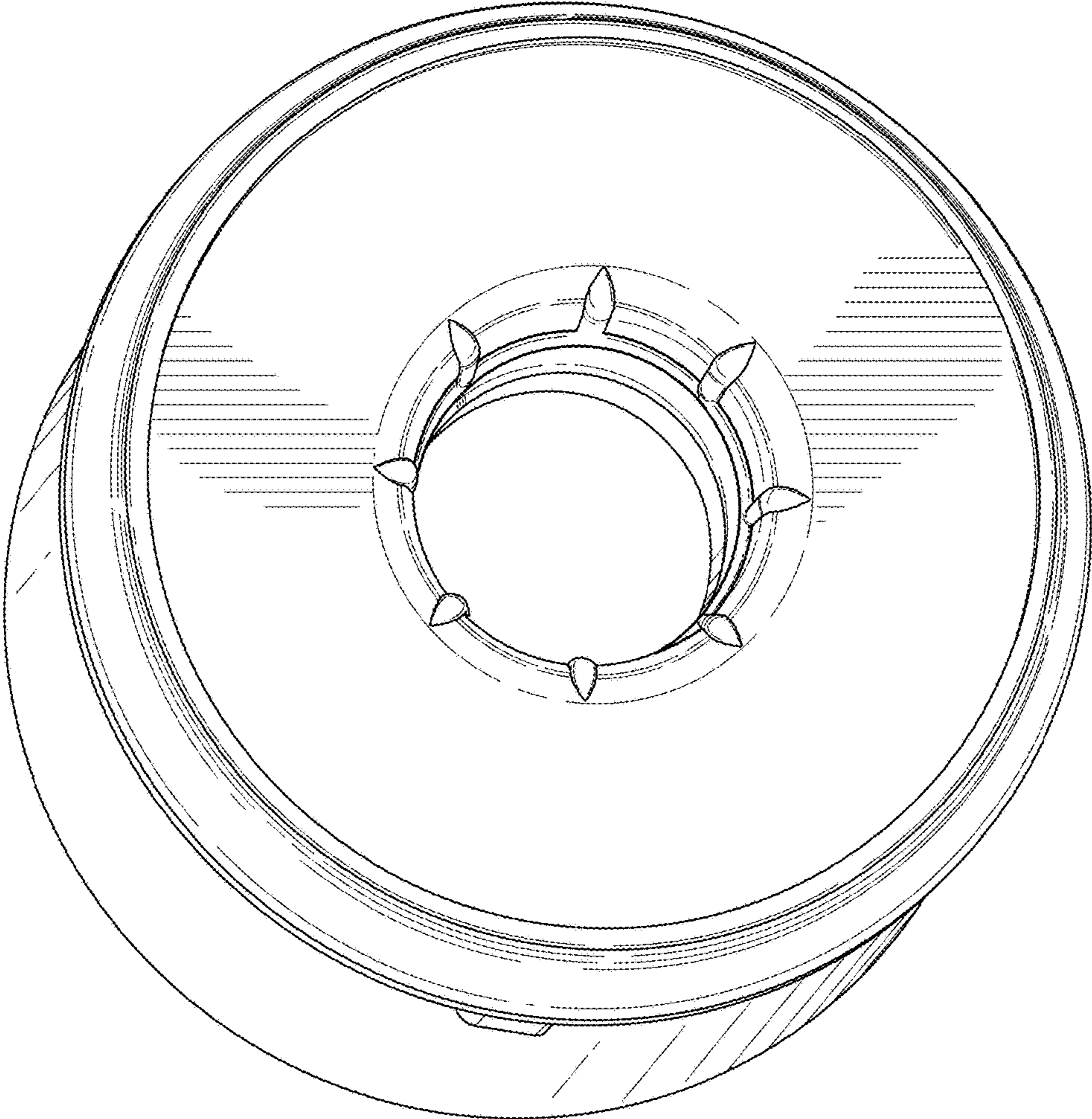


FIG. 1

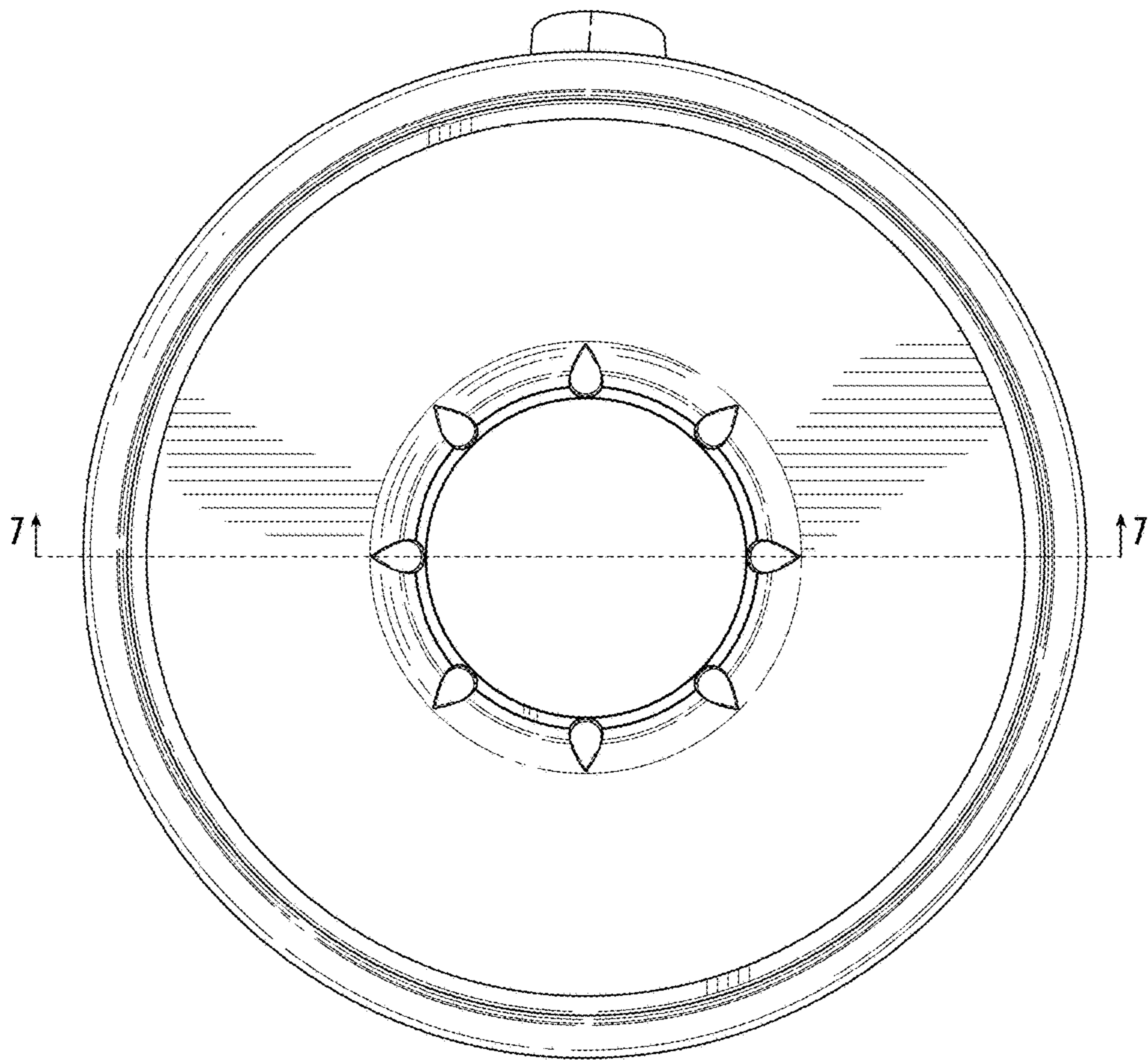


FIG. 2

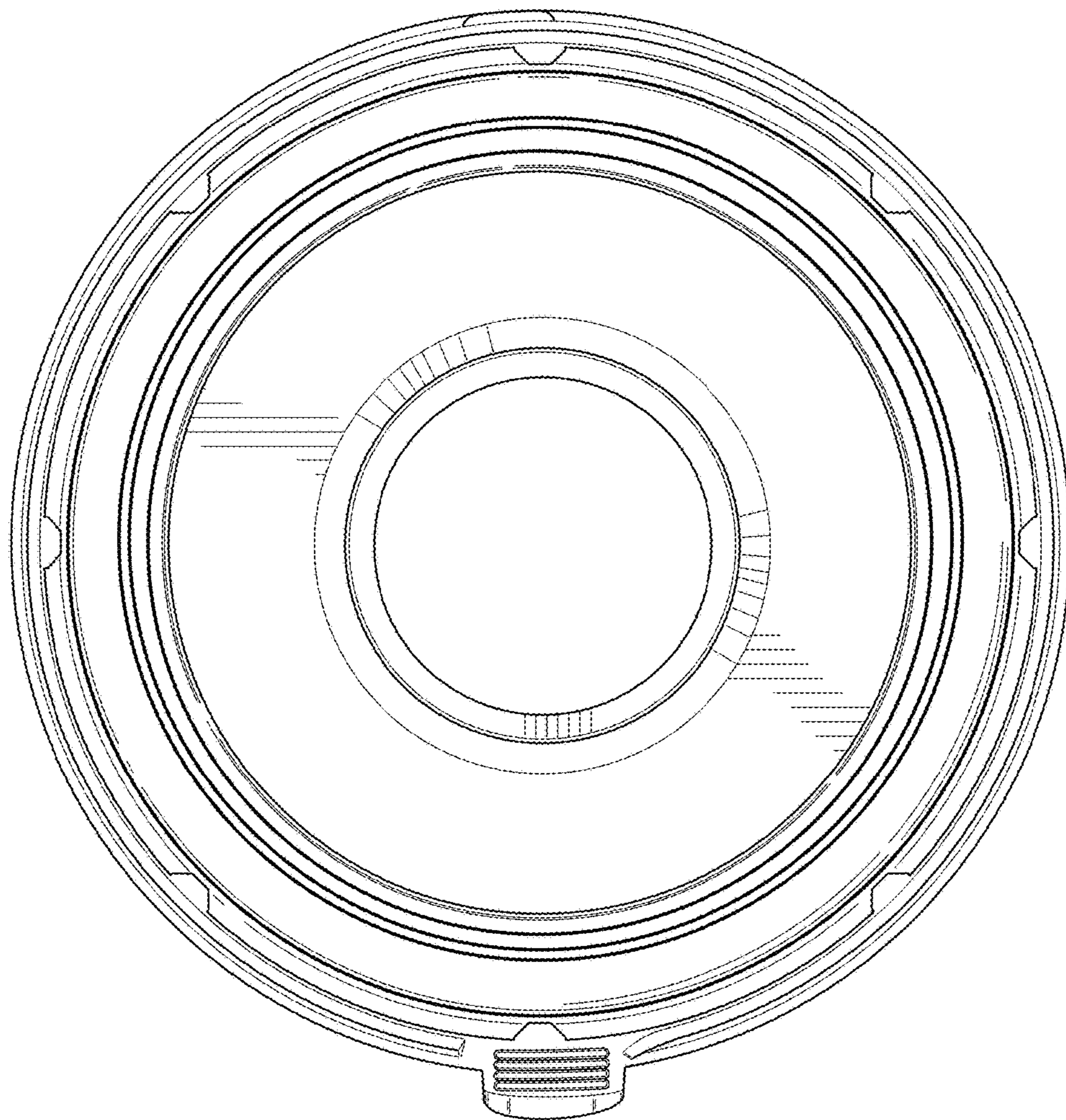


FIG. 3

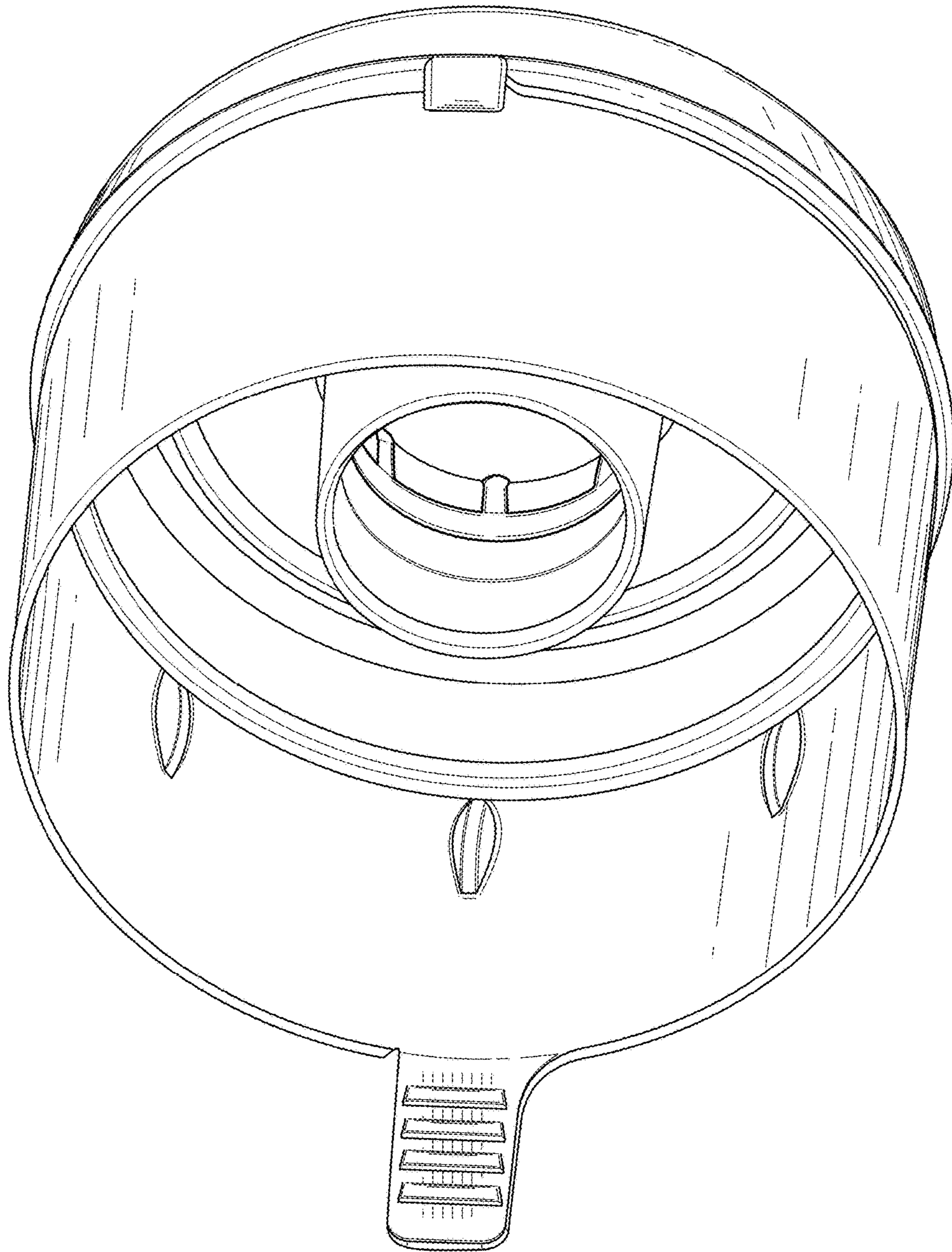


FIG. 4

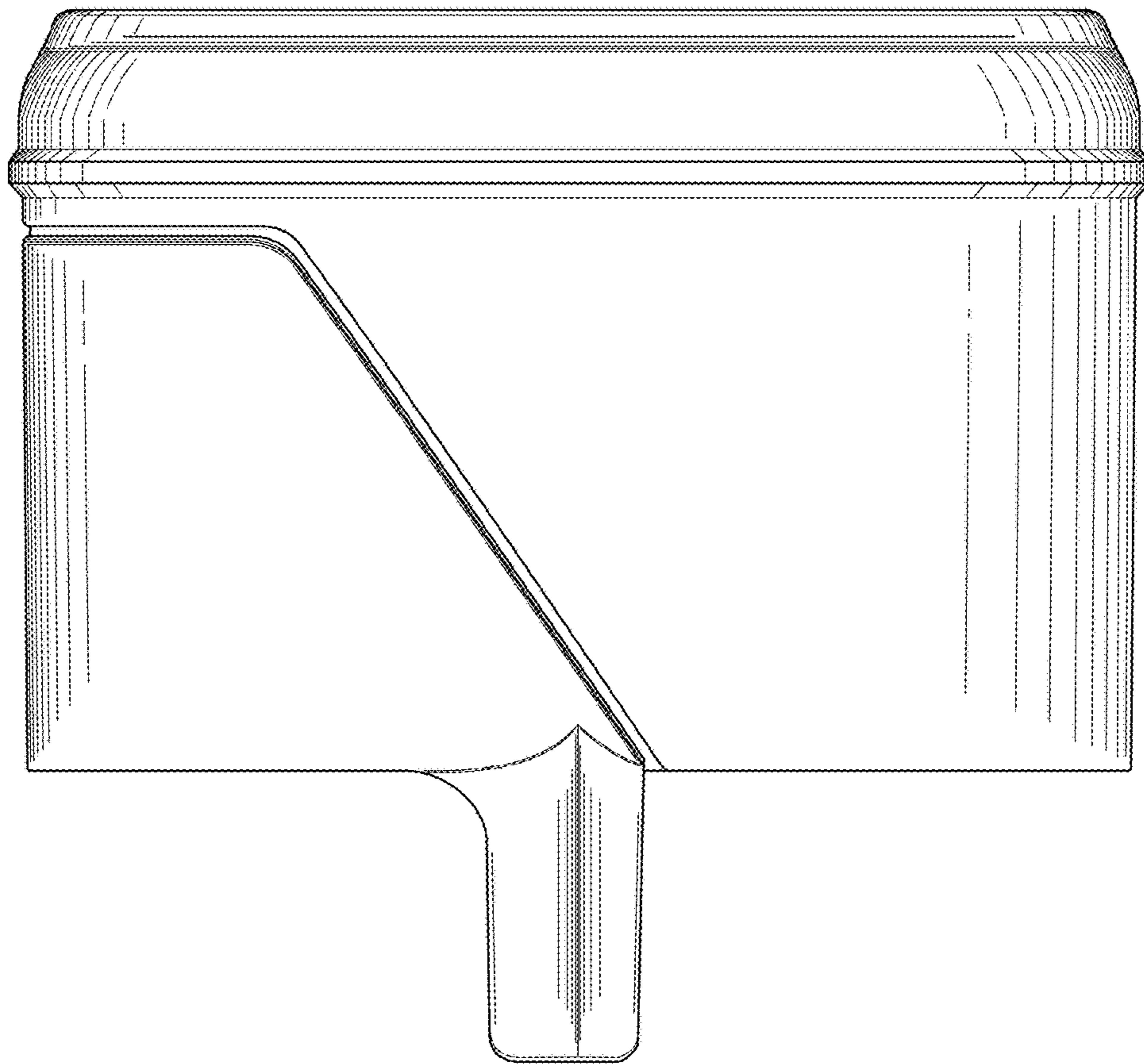


FIG. 5

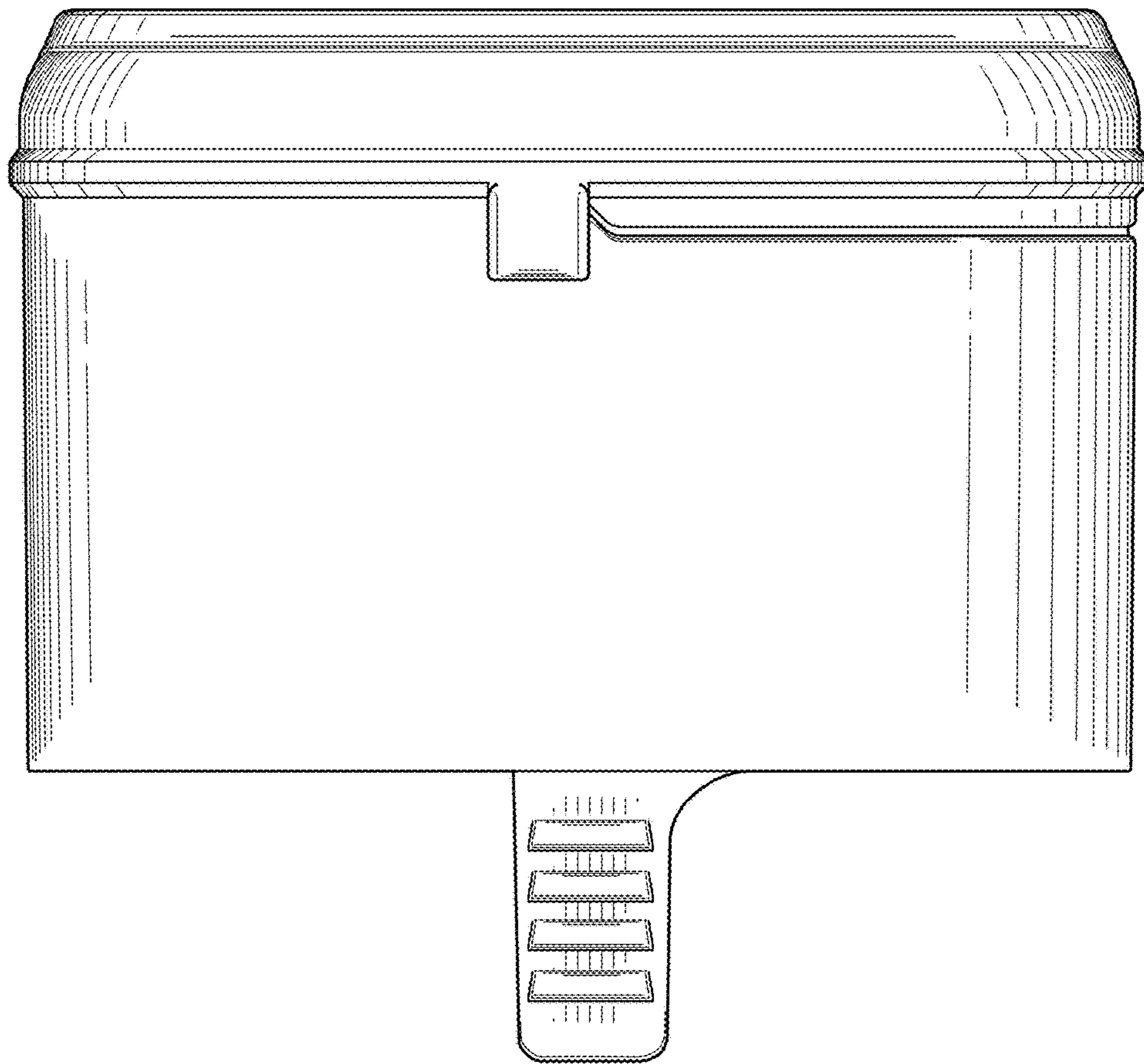


FIG. 6

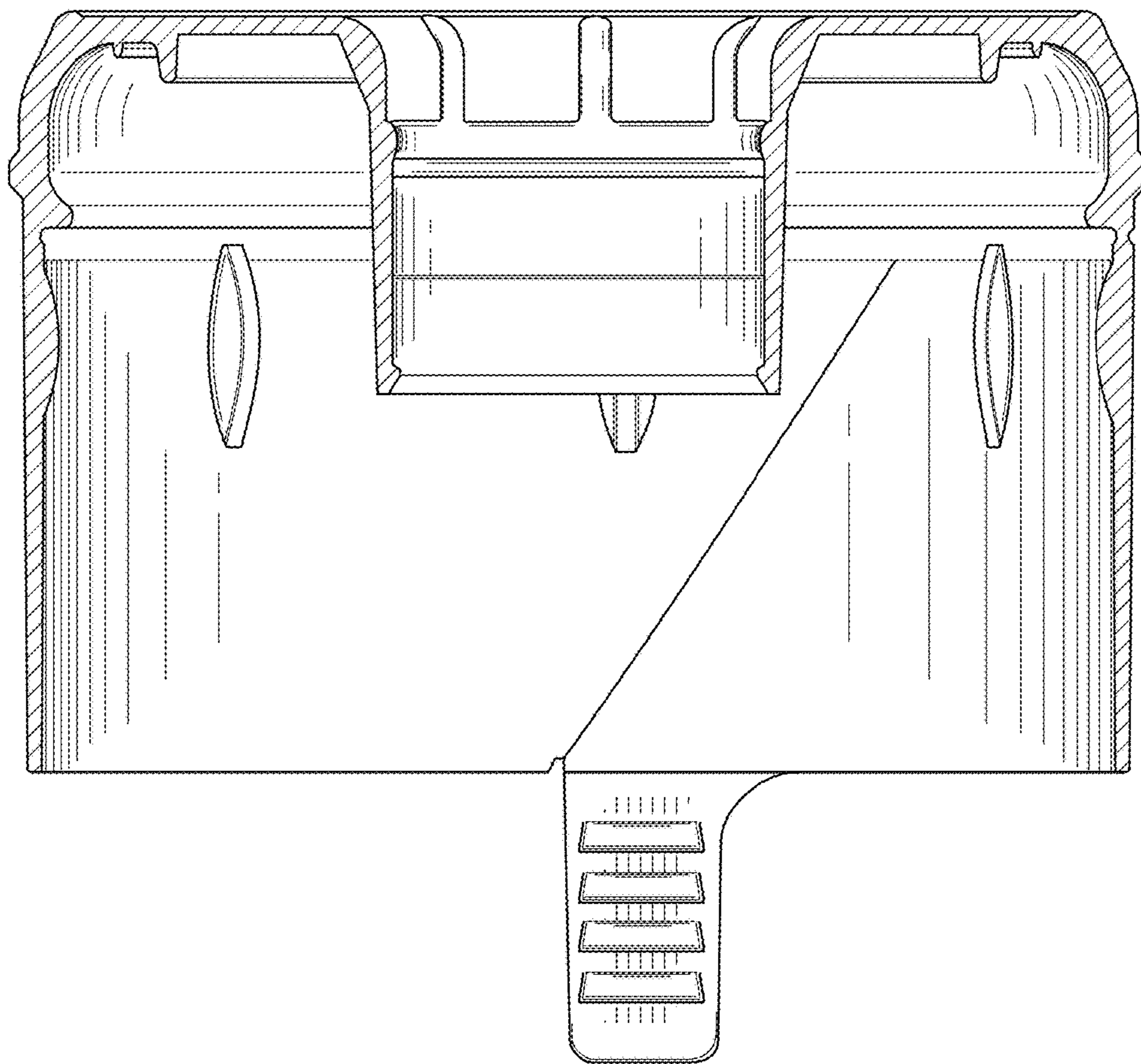


FIG. 7