



US00D836439S

(12) **United States Design Patent** (10) **Patent No.:** **US D836,439 S**  
**Tran** (45) **Date of Patent:** **\*\* Dec. 25, 2018**

- (54) **COMBINED CAP AND INSERT**
- (71) Applicant: **Minh Dat Duy Tran**, Huntington Beach, CA (US)
- (72) Inventor: **Minh Dat Duy Tran**, Huntington Beach, CA (US)
- (\*\*) Term: **15 Years**
- (21) Appl. No.: **29/587,433**
- (22) Filed: **Dec. 13, 2016**
- (51) **LOC (11) Cl.** ..... **09-07**
- (52) **U.S. Cl.**  
USPC ..... **D9/453**
- (58) **Field of Classification Search**  
USPC ..... D3/202; D7/392, 392.1, 396.2, 511, 601, D7/602, 619.1, 620-622; D9/434-436, D9/438, 440, 443, 447, 452-454, 499  
CPC .... B65D 51/28; B65D 41/34; B65D 41/3438; B65D 41/0471; B65D 47/12; B65D 47/122; B65D 51/1688  
See application file for complete search history.

- D694,110 S \* 11/2013 Tanner ..... D9/452
- D790,966 S \* 7/2017 Roberts ..... D9/453
- D797,557 S \* 9/2017 Ziccardi ..... D9/443

**OTHER PUBLICATIONS**

Bottles. Tablet Pill Vitamin Packer Bottles—Amber Pet. 2013 [earliest online date], [site visited Feb. 1, 2018]. Available from Internet, <URL:http://www.bottles.com/our-tablet\_pill\_vitamin\_packer\_bottles\_~\_amber\_pet.html>. (Year: 2013).\*

AliExpress. Child Proof Cap. 2018 [earliest online date], [site visited Feb. 1, 2018]. Available from Internet, <URL:https://www.aliexpress.com/item/100PCS-250CC-White-Color-HDPE-Child-Proof-Cap-Plastic-Bottles-for-Herb-Medicine-Pill-Vitamin-250ML/32829960998.html>. (Year: 2018).\*

\* cited by examiner

*Primary Examiner* — Eric L Goodman  
*Assistant Examiner* — Darcey E Heflin  
 (74) *Attorney, Agent, or Firm* — Cohen IP Law Group, P.C.; Michael N. Cohen

(57) **CLAIM**

I claim the ornamental design for a combined cap and insert, as shown and described.

(56) **References Cited**

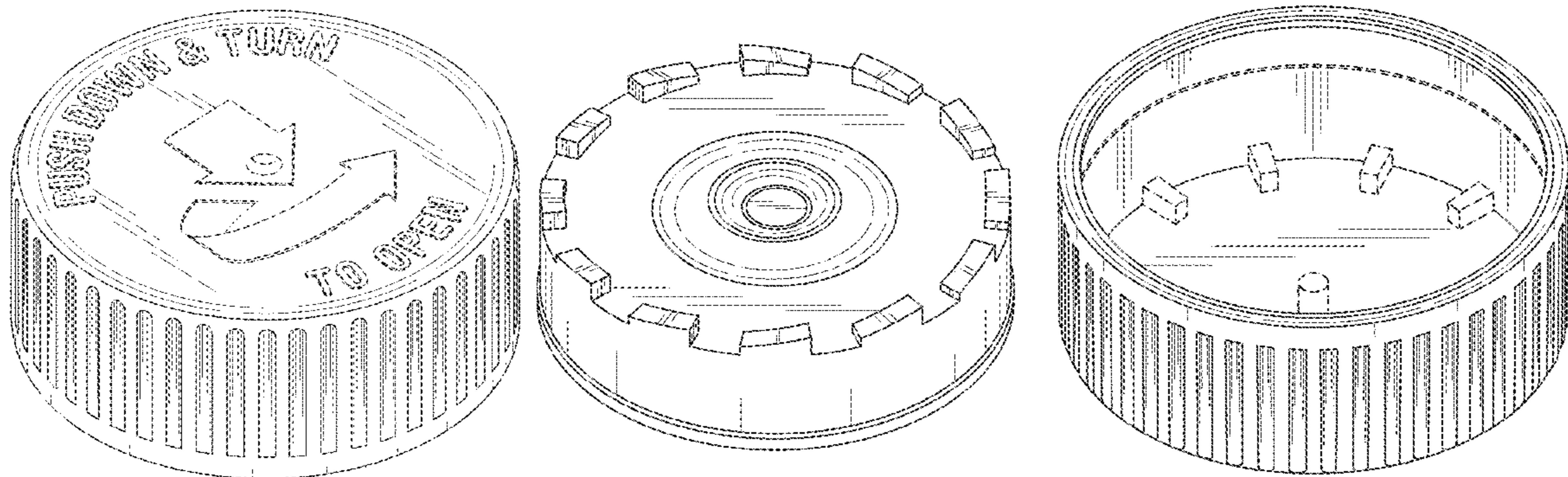
**U.S. PATENT DOCUMENTS**

- D315,507 S \* 3/1991 Ochs ..... D9/453
- D318,804 S \* 8/1991 Ochs ..... D9/453
- D389,062 S \* 1/1998 Ekkert ..... D9/453
- D427,068 S \* 6/2000 Hierzer ..... D9/436
- D476,563 S \* 7/2003 Brozell ..... D9/435
- D481,948 S \* 11/2003 Brozell ..... D9/443
- D503,886 S \* 4/2005 Biesecker ..... D7/391
- D561,587 S \* 2/2008 Lin ..... D9/453
- D578,889 S \* 10/2008 Sadiq ..... D9/453
- D584,149 S \* 1/2009 Lohrman ..... D9/453
- D606,864 S \* 12/2009 Robinson ..... D9/453
- D607,326 S \* 1/2010 Branson ..... D9/453
- D632,958 S \* 2/2011 Fuchs ..... D9/453
- D687,299 S \* 8/2013 Peykoff ..... D9/453

**DESCRIPTION**

FIG. 1 is a perspective front view of a combined cap and insert cap;  
 FIG. 2 is a side view of the cap;  
 FIG. 3 is a top view of the cap;  
 FIG. 4 is a bottom view of the insert; and,  
 FIG. 5 is an exploded view of the cap and insert.  
 In the drawings, the broken lines showing portions of a combined cap and insert depict environment and form no part of the claim.

**1 Claim, 5 Drawing Sheets**



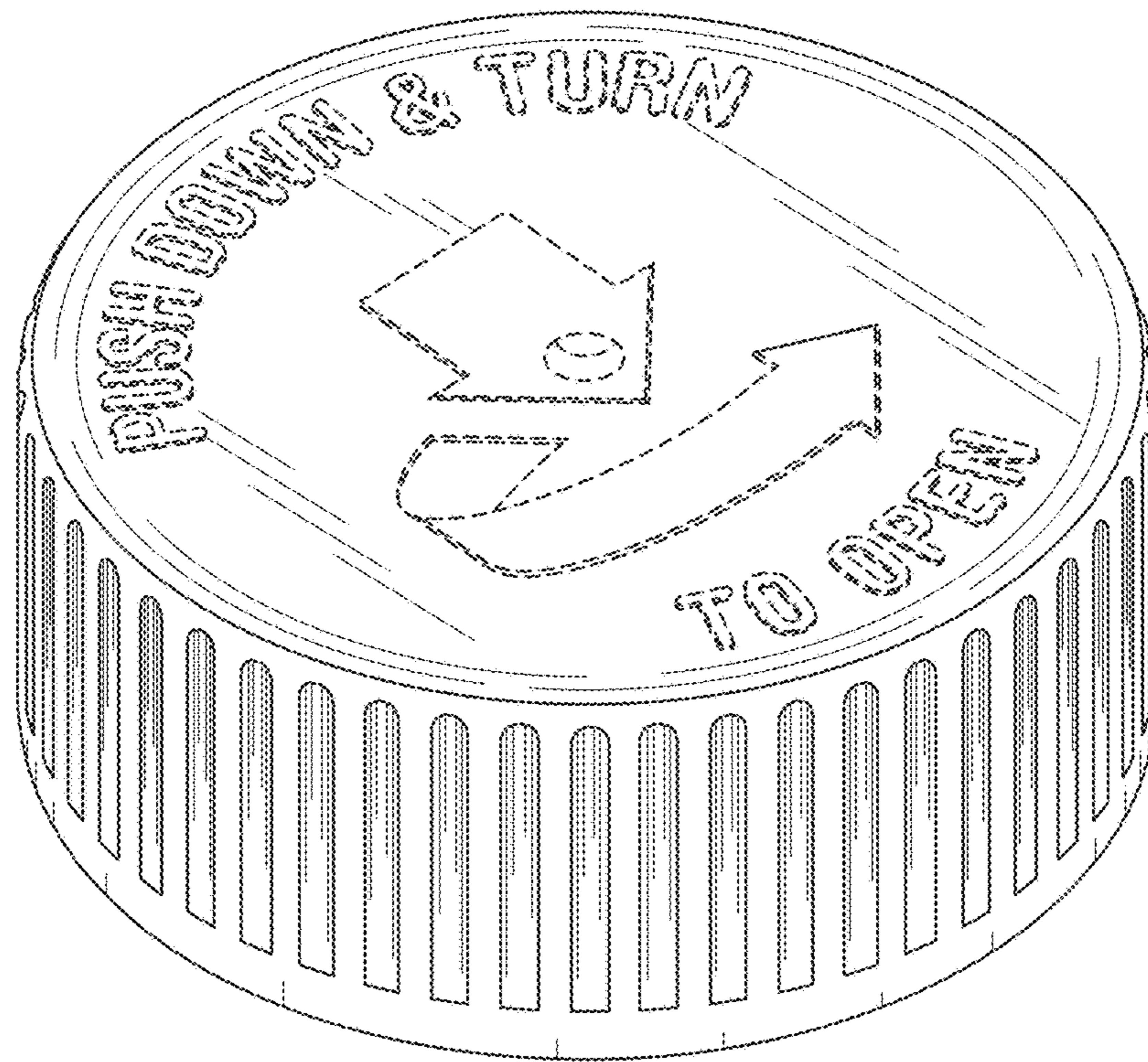


FIG. 1

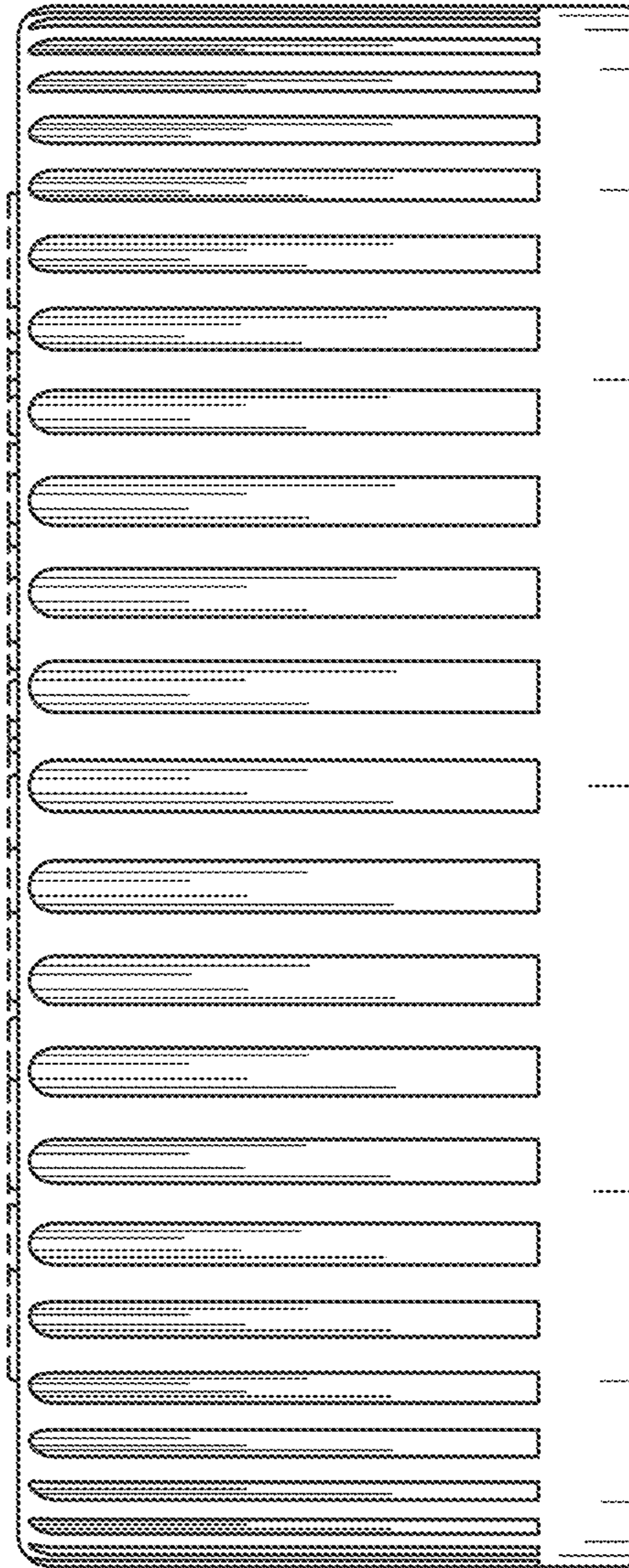


FIG. 2



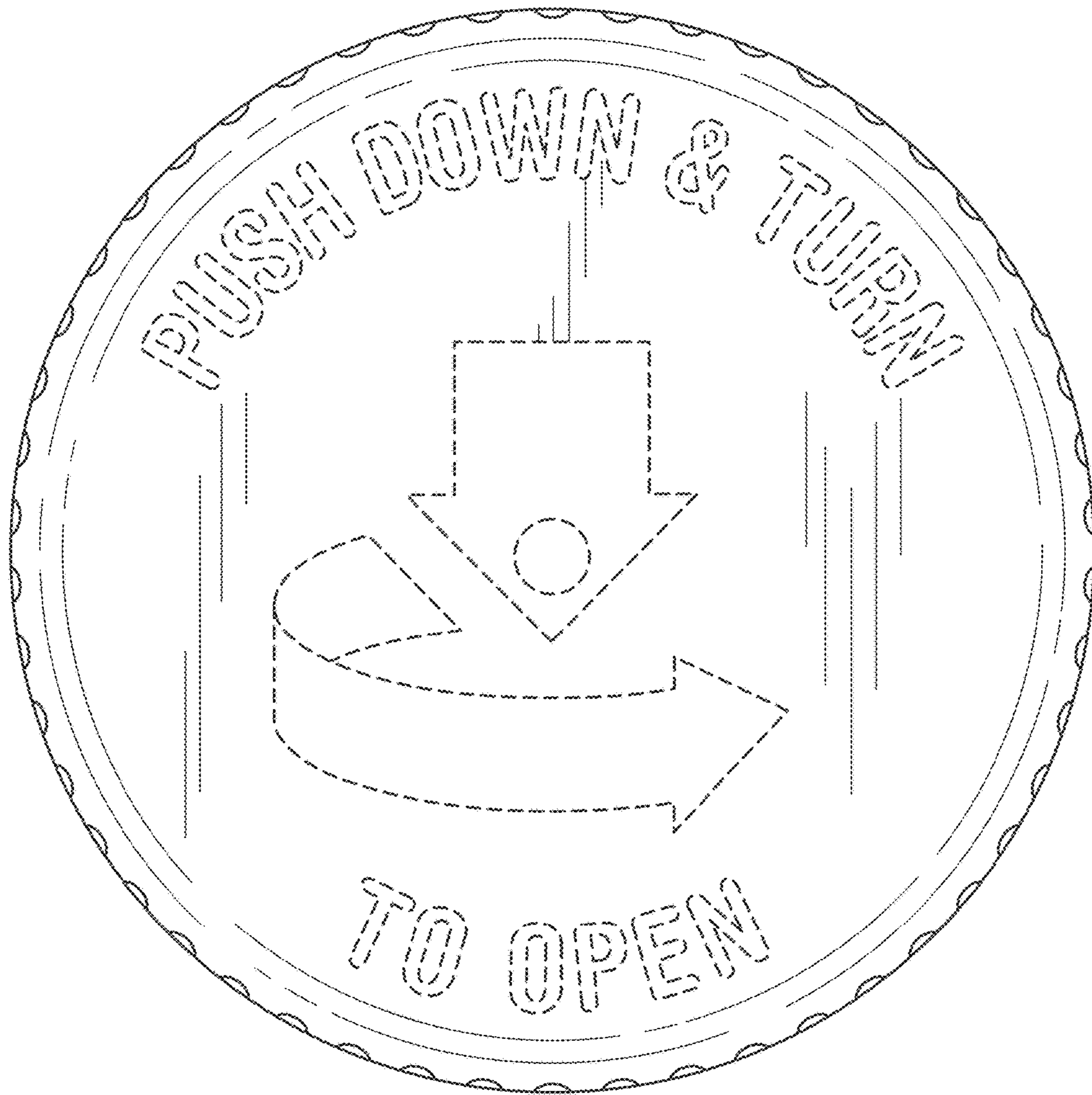


FIG. 3

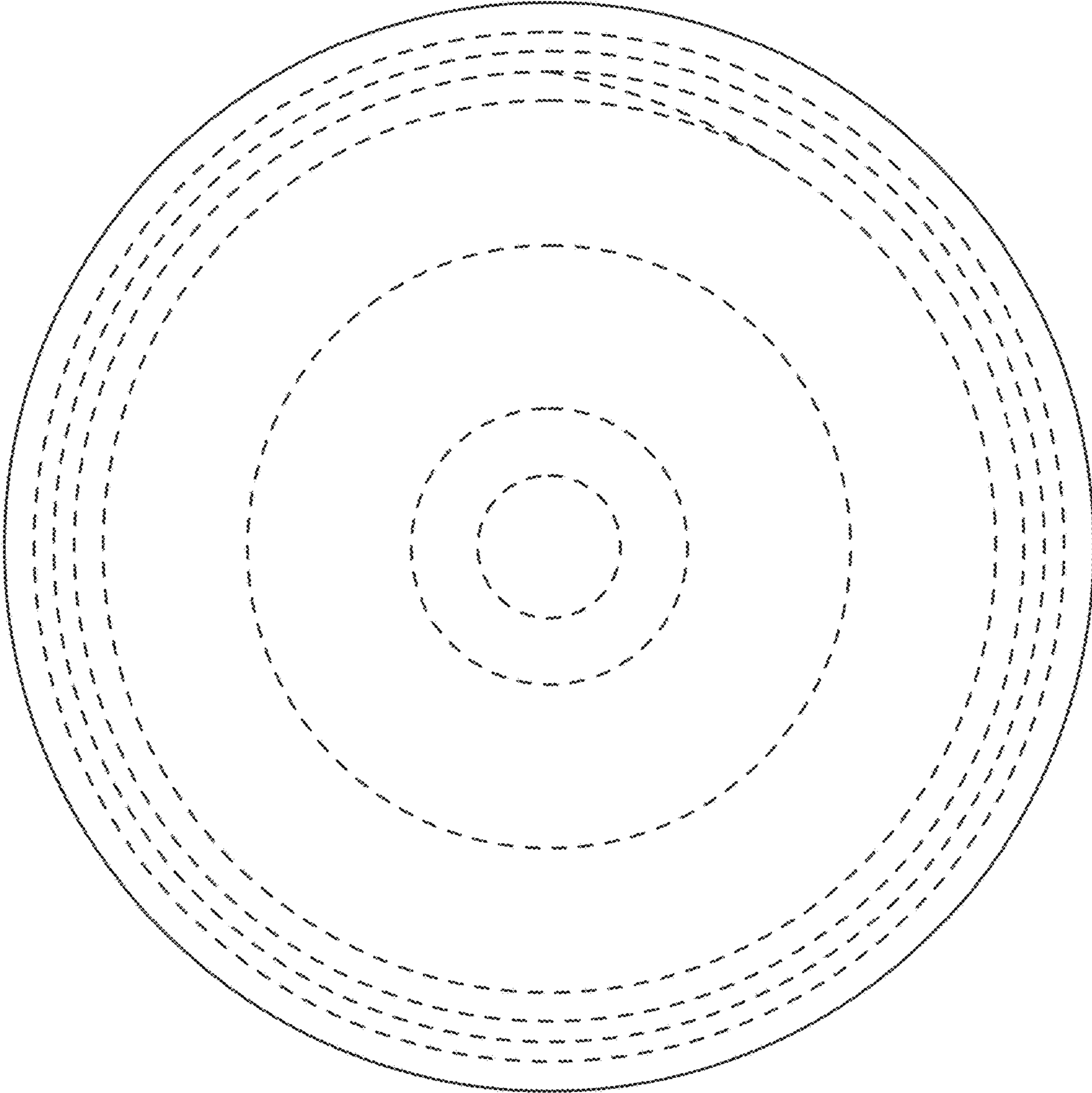


FIG. 4

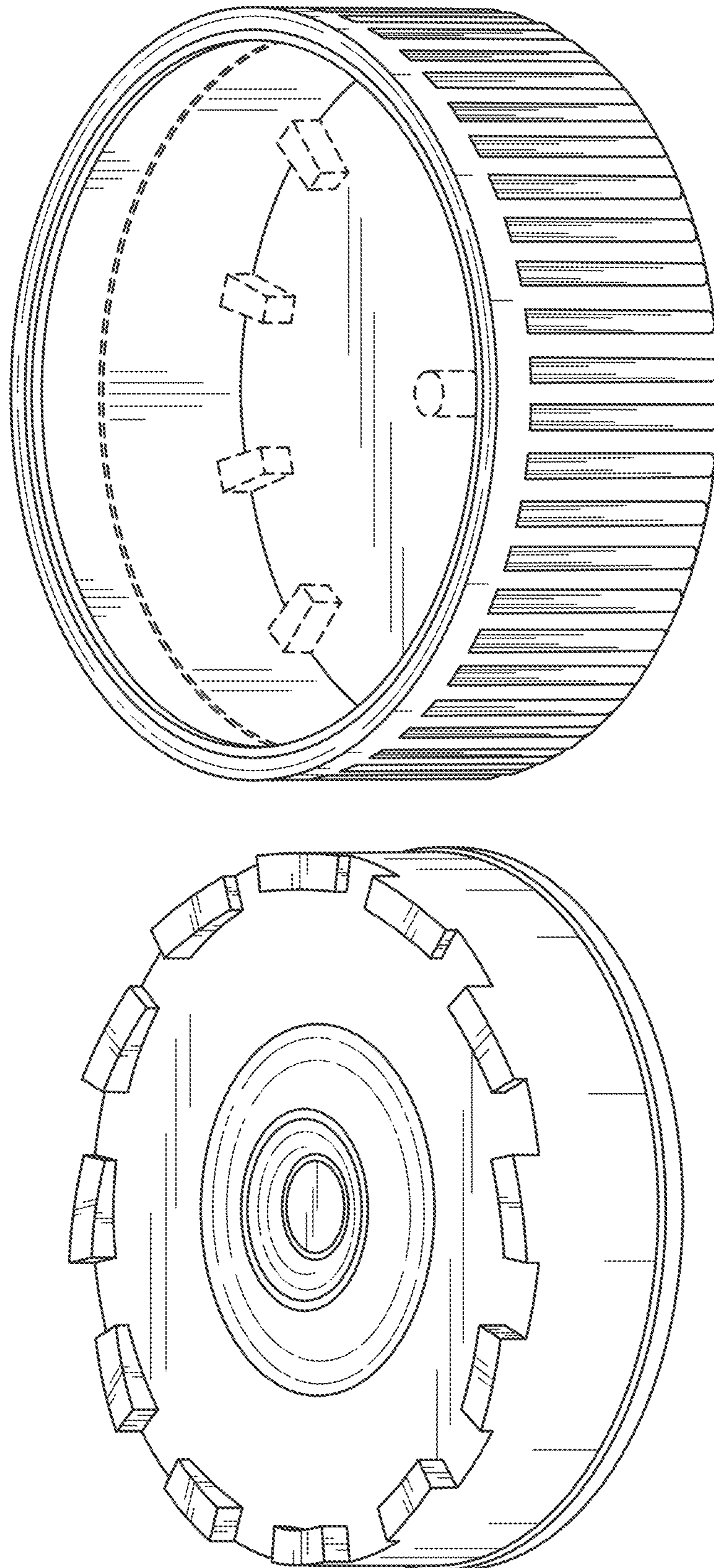


FIG. 5