



US00D836436S

(12) **United States Design Patent**
Engel et al.

(10) **Patent No.:** **US D836,436 S**

(45) **Date of Patent:** **** Dec. 25, 2018**

(54) **BEVERAGE CONTAINER LID**

(71) Applicant: **SNACKTOPS, INC.**, Carlsbad, CA
(US)

(72) Inventors: **Jeff Engel**, Encinitas, CA (US); **Allen Tucker**, Vista, CA (US); **Mike Henry**, Carlsbad, CA (US)

(73) Assignee: **SNACKTOPS, Inc.**, Carlsbad, CA (US)

(**) Term: **15 Years**

(21) Appl. No.: **29/618,035**

(22) Filed: **Sep. 18, 2017**

Related U.S. Application Data

(63) Continuation of application No. 15/700,155, filed on Sep. 10, 2017, now abandoned, which is a continuation of application No. 15/706,755, filed on Sep. 17, 2017.

(51) **LOC (11) Cl.** **09-07**

(52) **U.S. Cl.**

USPC **D9/452**; D7/392.1; D9/447

(58) **Field of Classification Search**

USPC D7/316, 392, 392.1, 396.2, 397, 510, D7/533; D9/434-436, 440, 443, 445, D9/447, 452-454, 499; D8/300, 301, D8/305, 310, 312

CPC B65D 41/00; B65D 41/38; B65D 41/56; B65D 41/62; B65D 47/00; B65D 47/06; B65D 47/08; B65D 2543/00046; B65D 2543/00092; B65D 2543/00296; B65D 51/28; B65D 21/0237; B65D 81/3205

See application file for complete search history.

(56) **References Cited**

U.S. PATENT DOCUMENTS

D417,845 S * 12/1999 Sadlier D7/511
D441,288 S * 5/2001 Pillers D7/392.1

D457,778 S * 5/2002 Randolph D7/392.1
D474,068 S * 5/2003 Fujii D7/392.1
D543,777 S * 6/2007 Seum D7/392.1
D545,118 S * 6/2007 Lieberman D7/392.1
D547,605 S * 7/2007 Edelstein D7/392.1

(Continued)

OTHER PUBLICATIONS

Deskgram. Snacktops. Oct. 2017 [earliest online date], [site visited Aug. 29, 2018]. Available from Internet, <URL:https://deskgram.org/p/1629184386652923853_3907750317>. (Year: 2017).*

Primary Examiner — George D. Kirschbaum

Assistant Examiner — Darcey E Heflin

(74) *Attorney, Agent, or Firm* — Manuel de la Cerra

(57)

CLAIM

The ornamental design for a beverage container lid, as shown and described.

DESCRIPTION

FIG. 1 is a top perspective view of a beverage container lid.

FIG. 2 is a bottom perspective view thereof.

FIG. 3 is a top perspective view of a second embodiment made from transparent material.

FIG. 4 is a bottom perspective view thereof made from transparent material.

FIG. 5 is a top perspective view of FIG. 1, wherein the lid is attached to a beverage container and a straw.

FIG. 6 is a top view thereof.

FIG. 7 is a bottom view thereof.

FIG. 8 is a front view thereof.

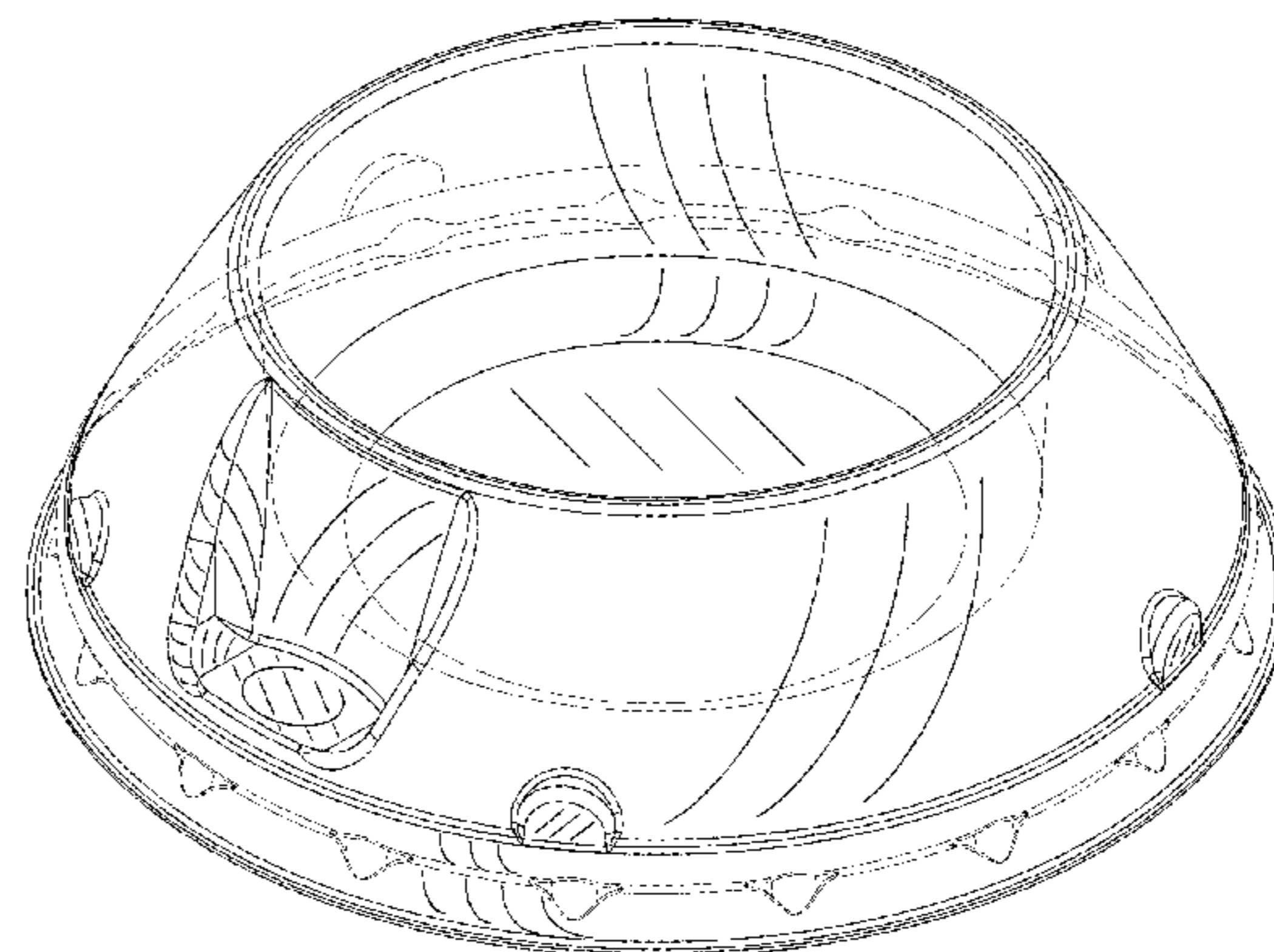
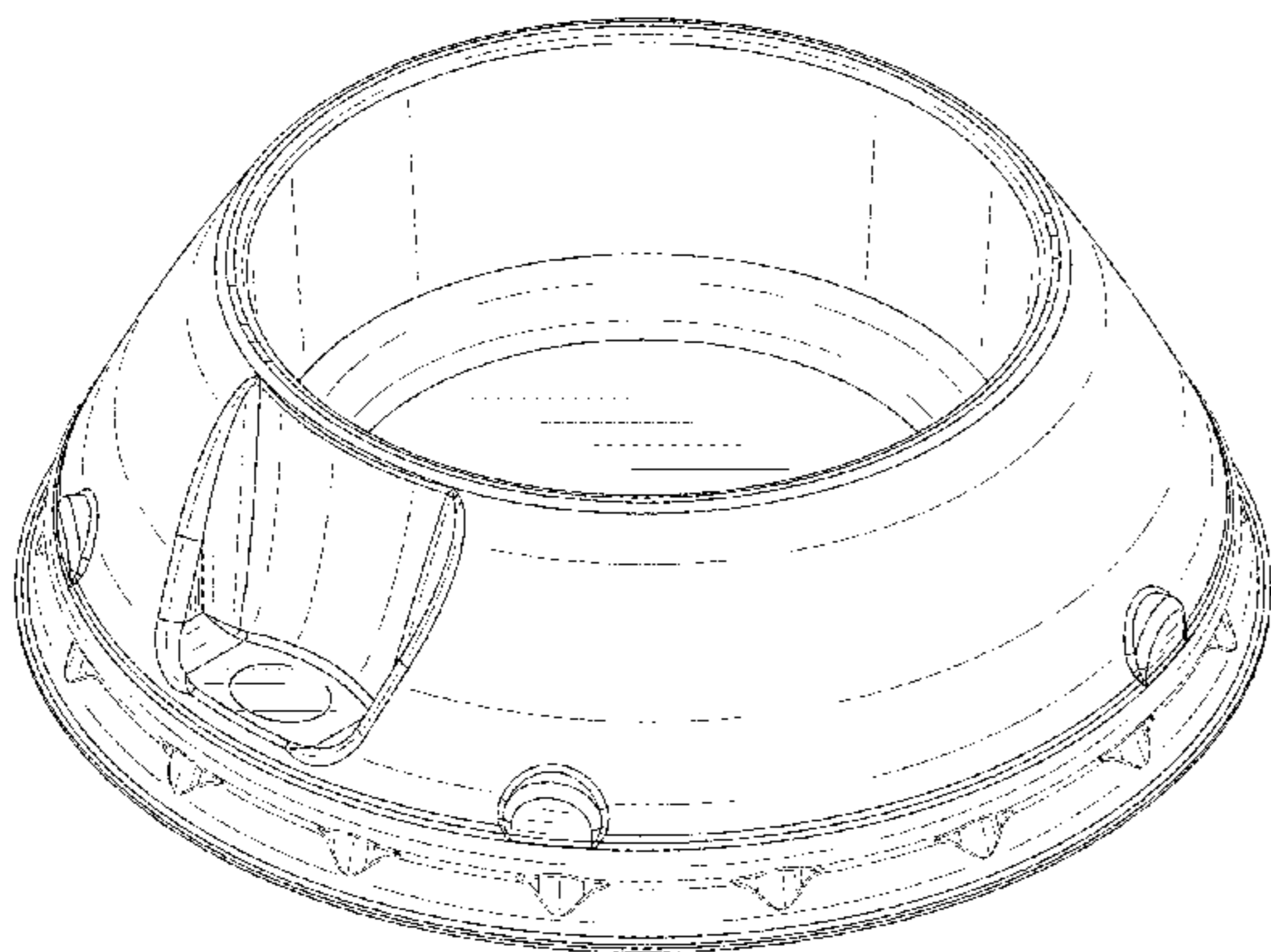
FIG. 9 is a rear view thereof.

FIG. 10 is a left-side view thereof; and,

FIG. 11 is a right-side view thereof.

The broken lines in FIG. 5 illustrate environmental structures and form no part of the claimed design.

1 Claim, 7 Drawing Sheets



(56)

References Cited

U.S. PATENT DOCUMENTS

D696,941 S	*	1/2014	Kim	D9/447
D696,942 S	*	1/2014	Kim	D9/447
D696,943 S	*	1/2014	Kim	D9/447
D704,053 S	*	5/2014	Kim	A47G 19/2272
					D9/447
D705,058 S	*	5/2014	Kim	D9/447
D801,810 S	*	11/2017	Engel	D9/436
D803,051 S	*	11/2017	Engel	D9/436
D820,634 S	*	6/2018	Michie	D7/392.1

* cited by examiner

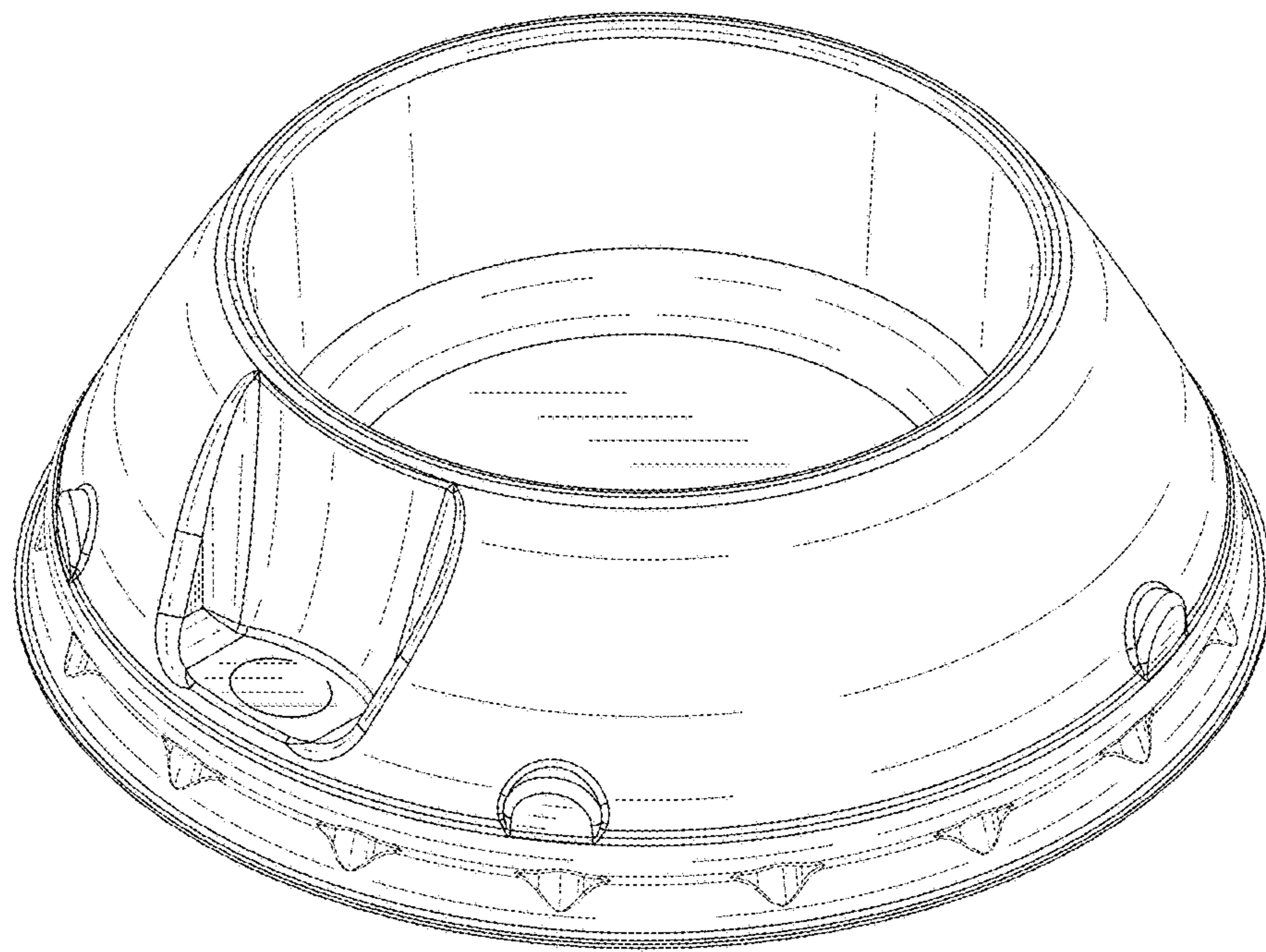


FIG. 1

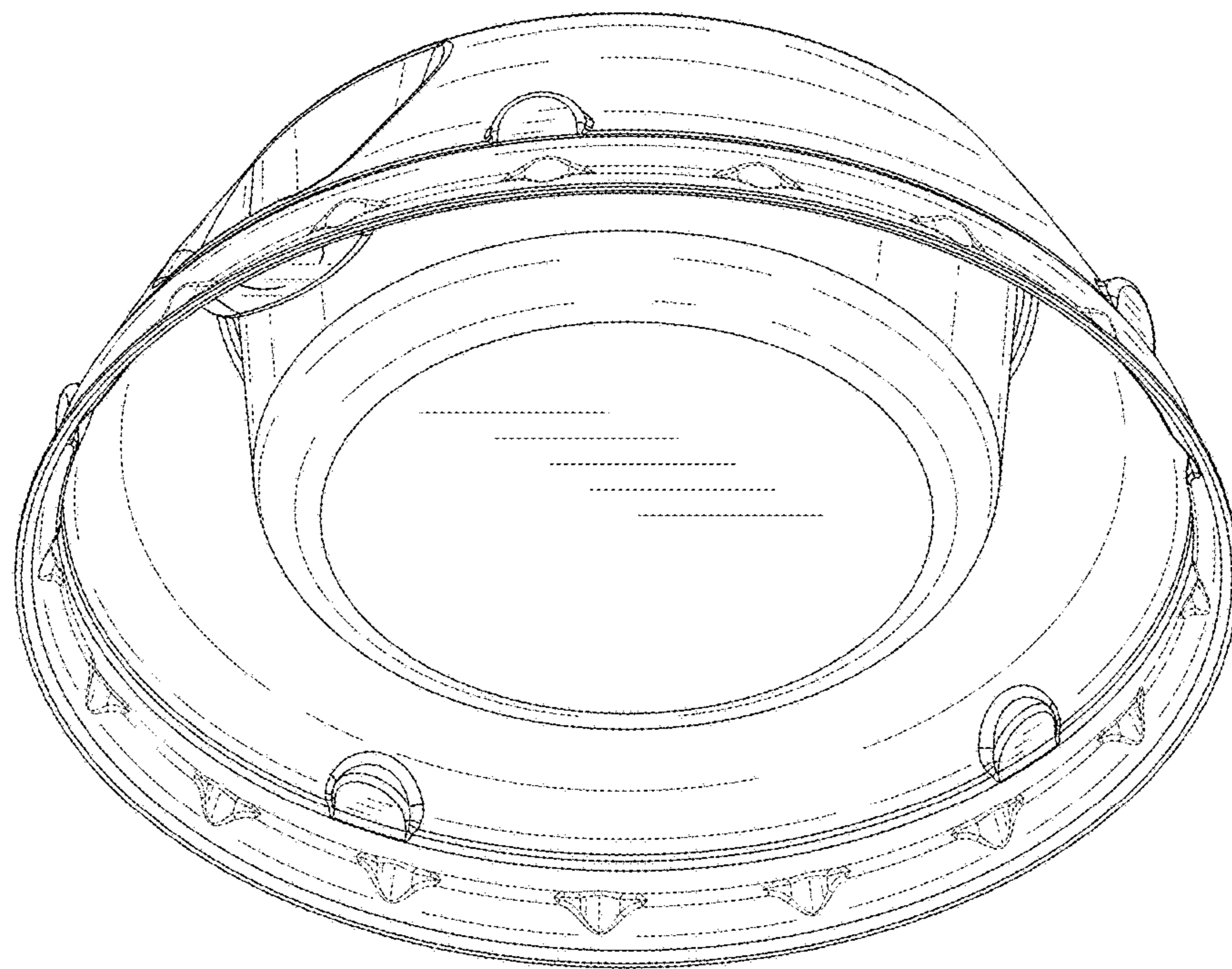


FIG. 2

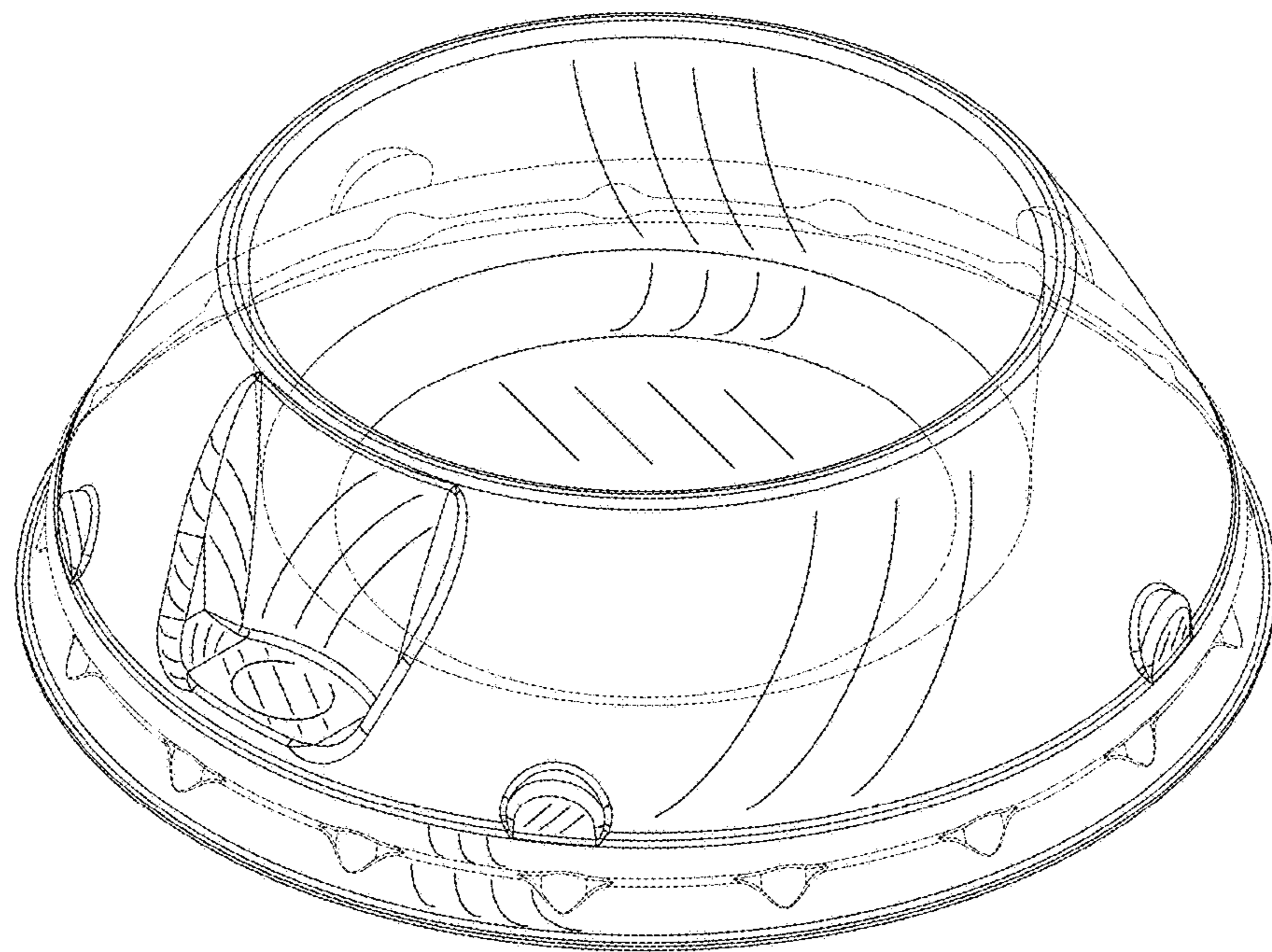


FIG. 3

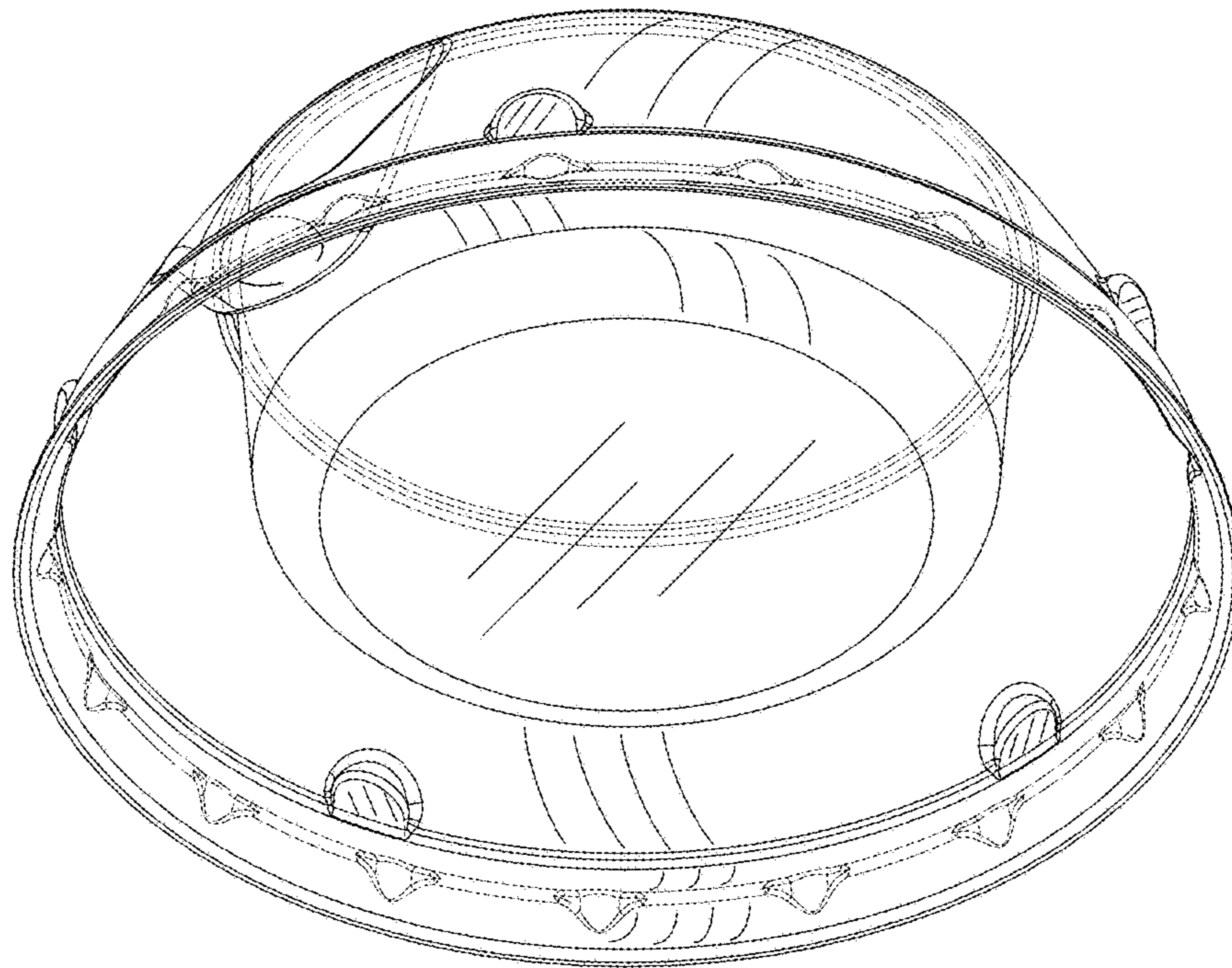


FIG. 4

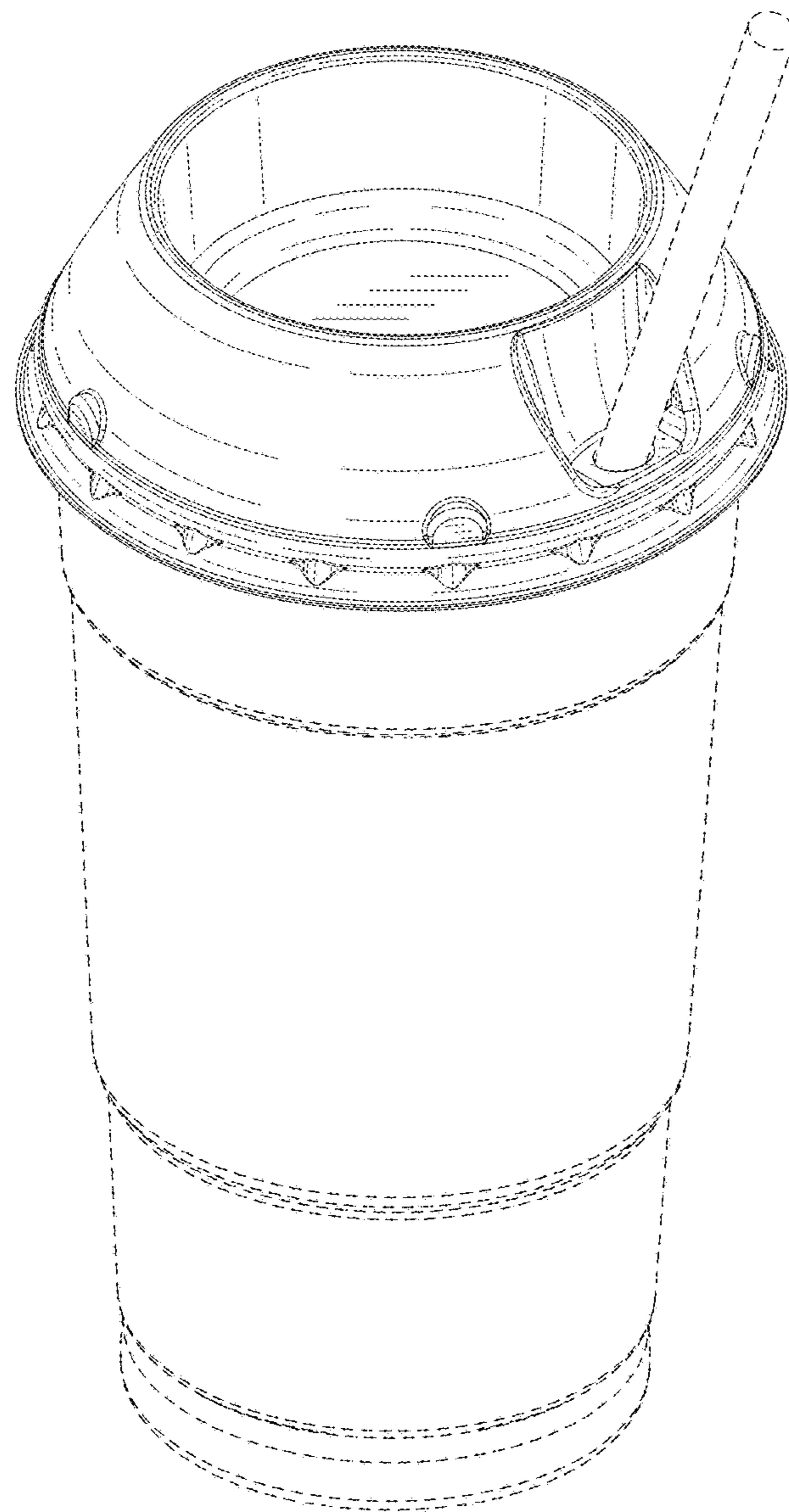


FIG. 5

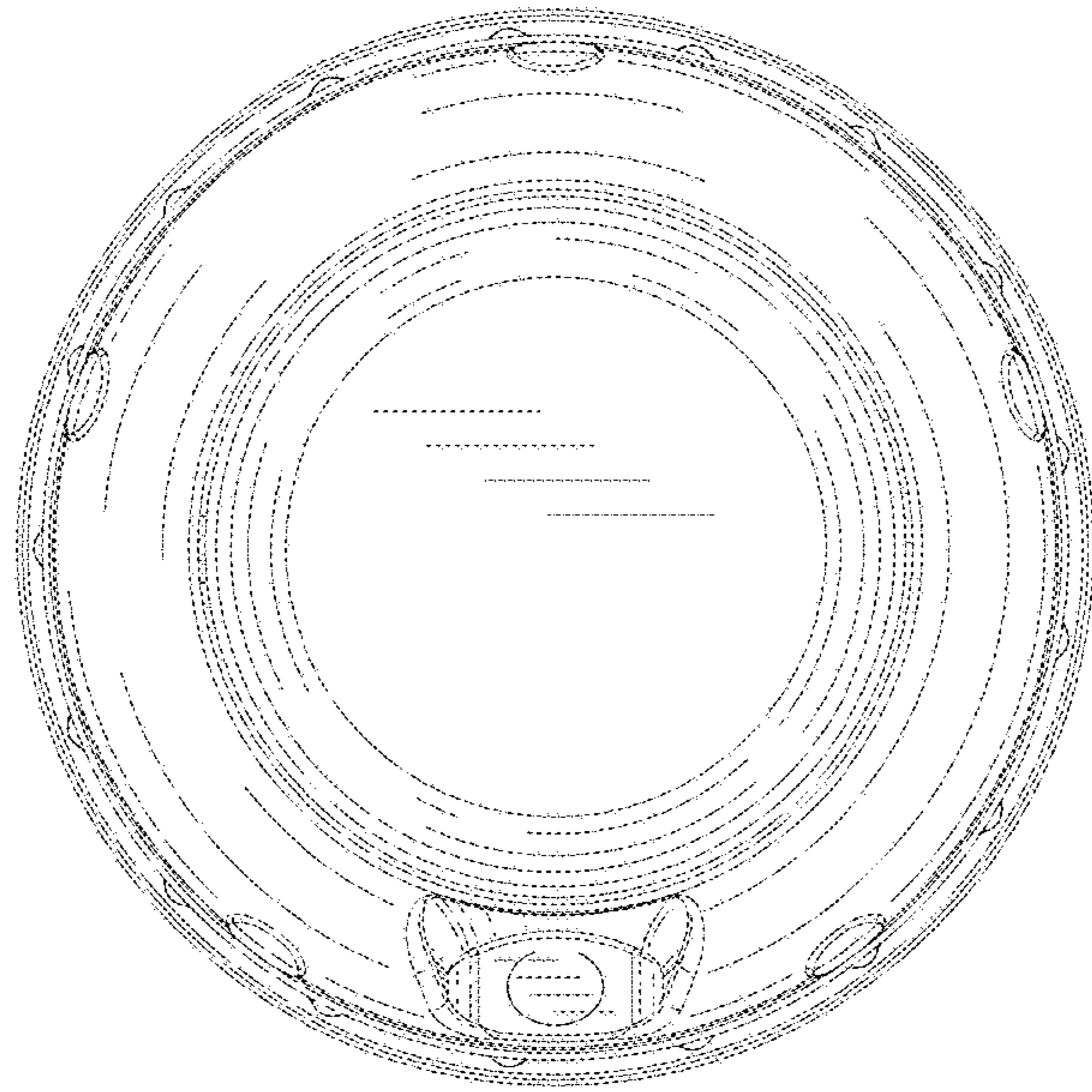


FIG. 6

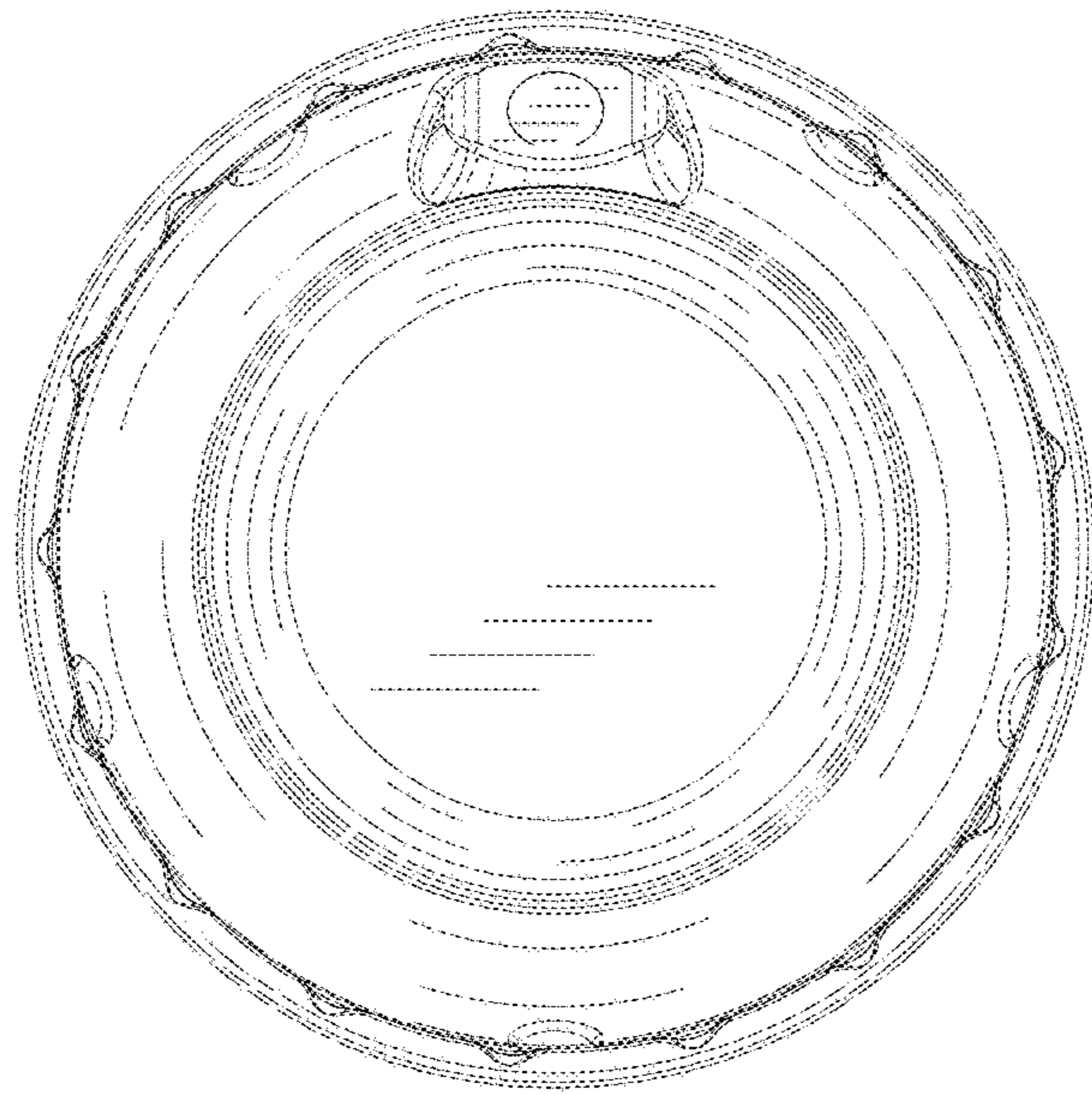


FIG. 7

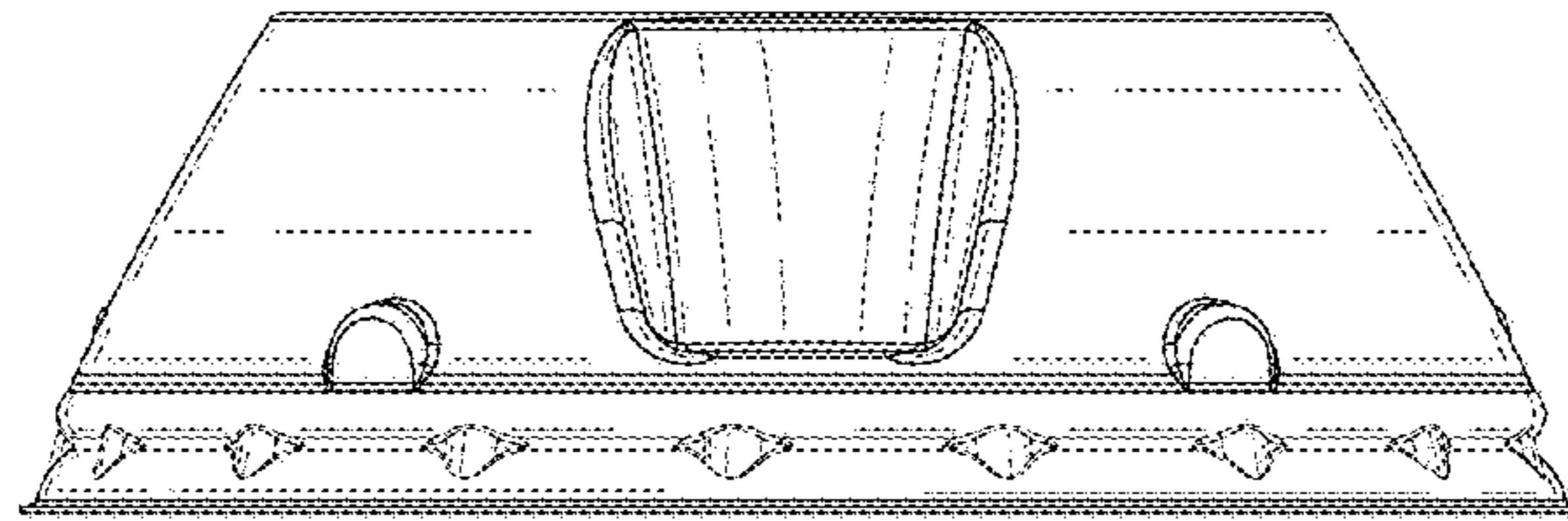


FIG. 8

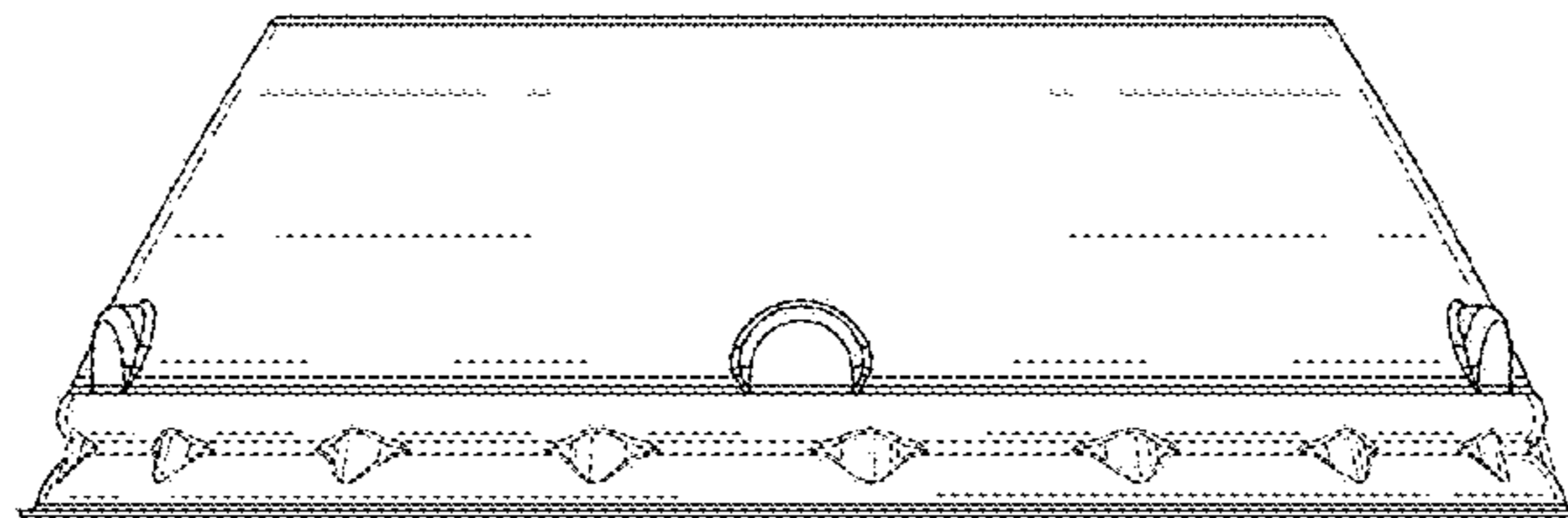


FIG. 9

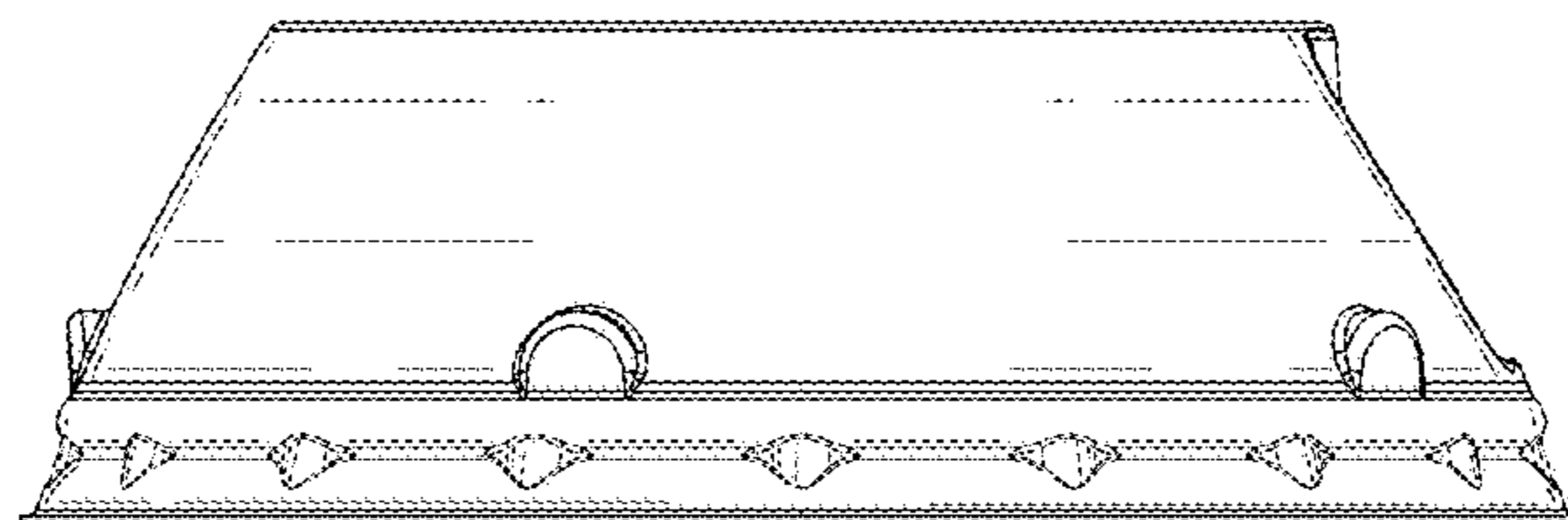


FIG. 10

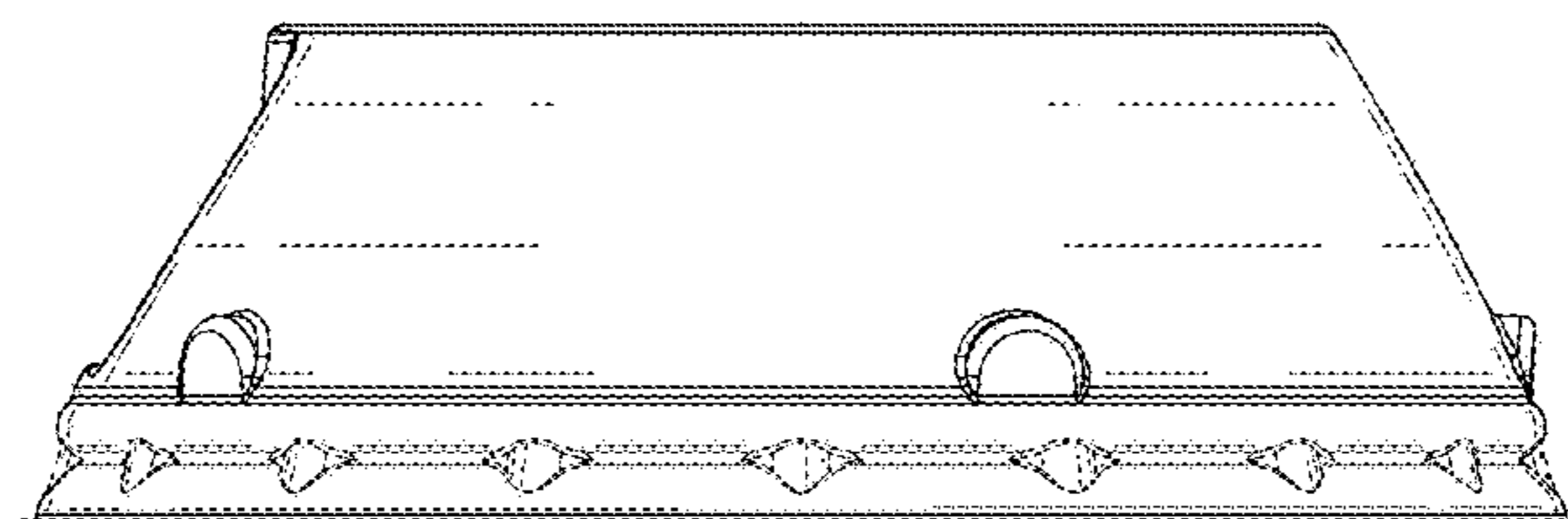


FIG. 11