



US00D836434S

(12) **United States Design Patent** (10) **Patent No.:** **US D836,434 S**  
**Gibson et al.** (45) **Date of Patent:** **\*\* Dec. 25, 2018**

(54) **CAP** B65D 2543/00296; B65D 5/46; B65D 2251/00

(71) Applicant: **Reckitt Benckiser (Brands) Limited**, Slough, Berkshire (GB) See application file for complete search history.

(72) Inventors: **Paul Michael Gibson**, Warwick (GB);  
**Jostyn Logan Harrison**, Slough (GB);  
**David Sanders**, Warwick (GB)

(73) Assignee: **RECKITT BENCKISER (BRANDS) LIMITED**, Slough, Berkshire (GB)

(\*\*) Term: **15 Years**

(21) Appl. No.: **29/608,632**

(22) Filed: **Jun. 23, 2017**

(30) **Foreign Application Priority Data**

Jan. 3, 2017 (EP) ..... 003566389-0001

(51) **LOC (11) Cl.** ..... **09-07**

(52) **U.S. Cl.**  
USPC ..... **D9/448**

(58) **Field of Classification Search**  
USPC ..... D9/434, 435, 436, 443, 444-452, 454,  
D9/455, 499, 529, 682, 685, 686;  
D7/387, 391, 392, 392.1, 396.1, 396.2,  
D7/396.3, 396.4, 397, 398, 401.1, 507,  
D7/509-511, 538, 900; D3/202, 203.2;  
D28/91, 91.1

CPC .. A61J 1/00; A61J 1/1412; B65D 1/00; B65D 1/02; B65D 1/10; B65D 1/46; B65D 2585/56; B65D 2585/545; B65D 41/00; B65D 41/38; B65D 41/56; B65D 41/62; B65D 47/00; B65D 47/06; B65D 47/08; B65D 2543/00046; B65D 2543/00092;

(56) **References Cited**

U.S. PATENT DOCUMENTS

D200,676	S	*	3/1965	Abplanalp	.....	D9/448
D311,494	S	*	10/1990	Zinnbauer	.....	D9/448
D323,117	S	*	1/1992	Demarest	.....	D9/448
D527,256	S	*	8/2006	Gieske	.....	D9/445
D617,193	S	*	6/2010	Casey	.....	D9/453
D627,638	S	*	11/2010	Bodet	.....	D9/448
D630,093	S	*	1/2011	Bardet	.....	D9/438
D665,669	S	*	8/2012	Folli	.....	D9/448
D680,432	S	*	4/2013	Geier	.....	D9/448
D686,077	S	*	7/2013	Stull, Sr.	.....	D9/447
9,260,237	B2	*	2/2016	Brace	.....	B65D 83/226
D750,491	S	*	3/2016	Campbell	.....	D9/448
D750,492	S	*	3/2016	Campbell	.....	D9/448
D763,082	S	*	8/2016	Bos	.....	D9/449
2006/0273111	A1	*	12/2006	Heatley	.....	B65D 83/226 222/153.06

(Continued)

*Primary Examiner* — Michael A. Pratt  
*Assistant Examiner* — Wendy L Arminio

(74) *Attorney, Agent, or Firm* — Norris McLaughlin & Marcus PA

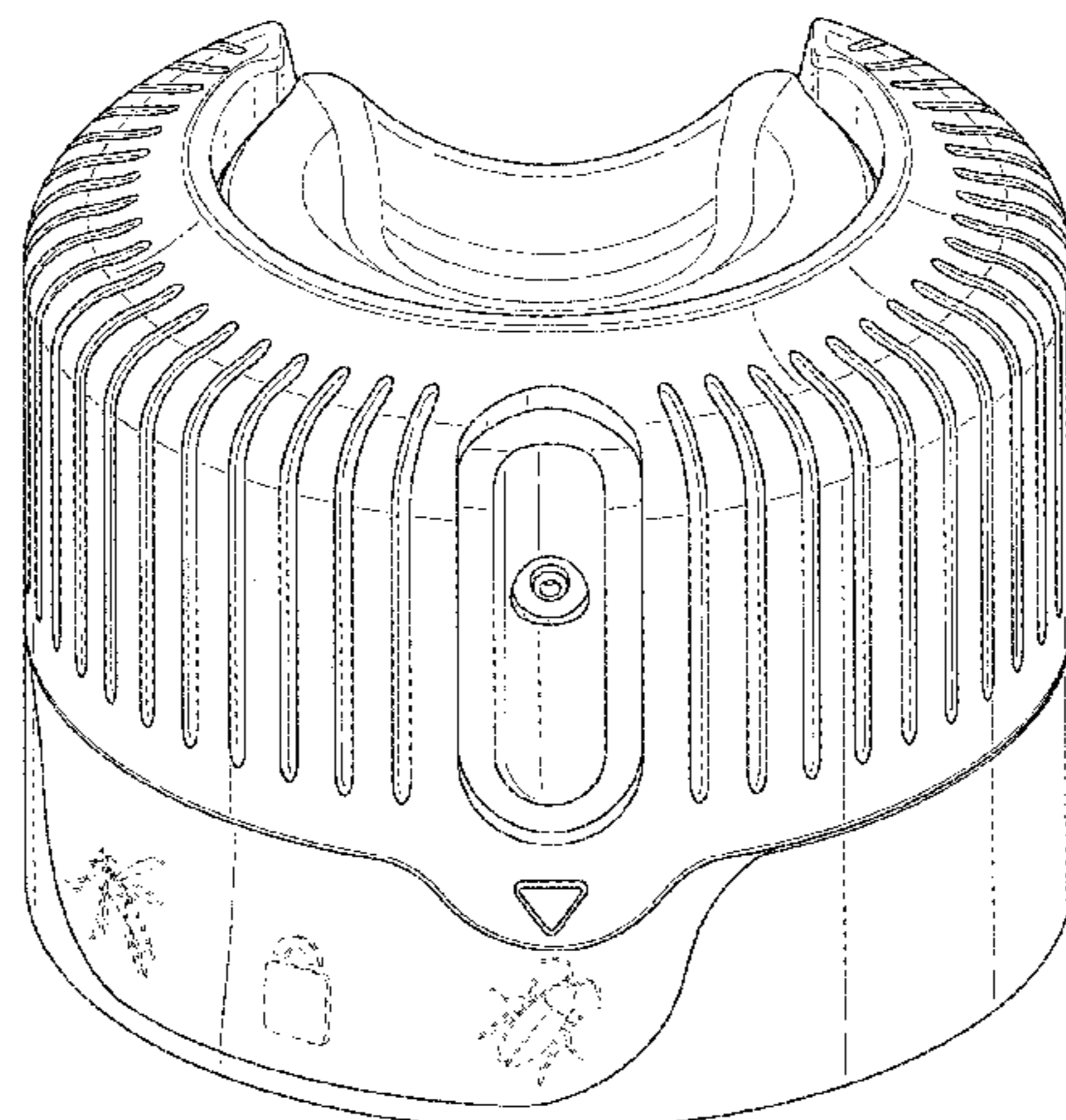
(57) **CLAIM**

The ornamental design for a cap, as shown and described.

**DESCRIPTION**

FIG. 1 is a perspective view of a cap, showing our new design;  
FIG. 2 is a right side elevation view thereof;  
FIG. 3 is a left rear side elevation view thereof;  
FIG. 4 is a right rear elevation view thereof;  
FIG. 5 is a left side elevation view thereof;  
FIG. 6 is a top plan view thereof; and,  
FIG. 7 is a bottom plan view.

(Continued)



The evenly spaced broken lines shown in the drawings depict portions of the cap that form no part of the claimed design.

**1 Claim, 7 Drawing Sheets**

(56) **References Cited**

U.S. PATENT DOCUMENTS

2007/0235474	A1*	10/2007	Downey	.....	B65D 83/205
					222/153.11
2008/0041889	A1*	2/2008	Geier	.....	B65D 83/205
					222/402.11
2008/0164285	A1*	7/2008	Hygema	.....	B65D 83/205
					222/153.11

\* cited by examiner

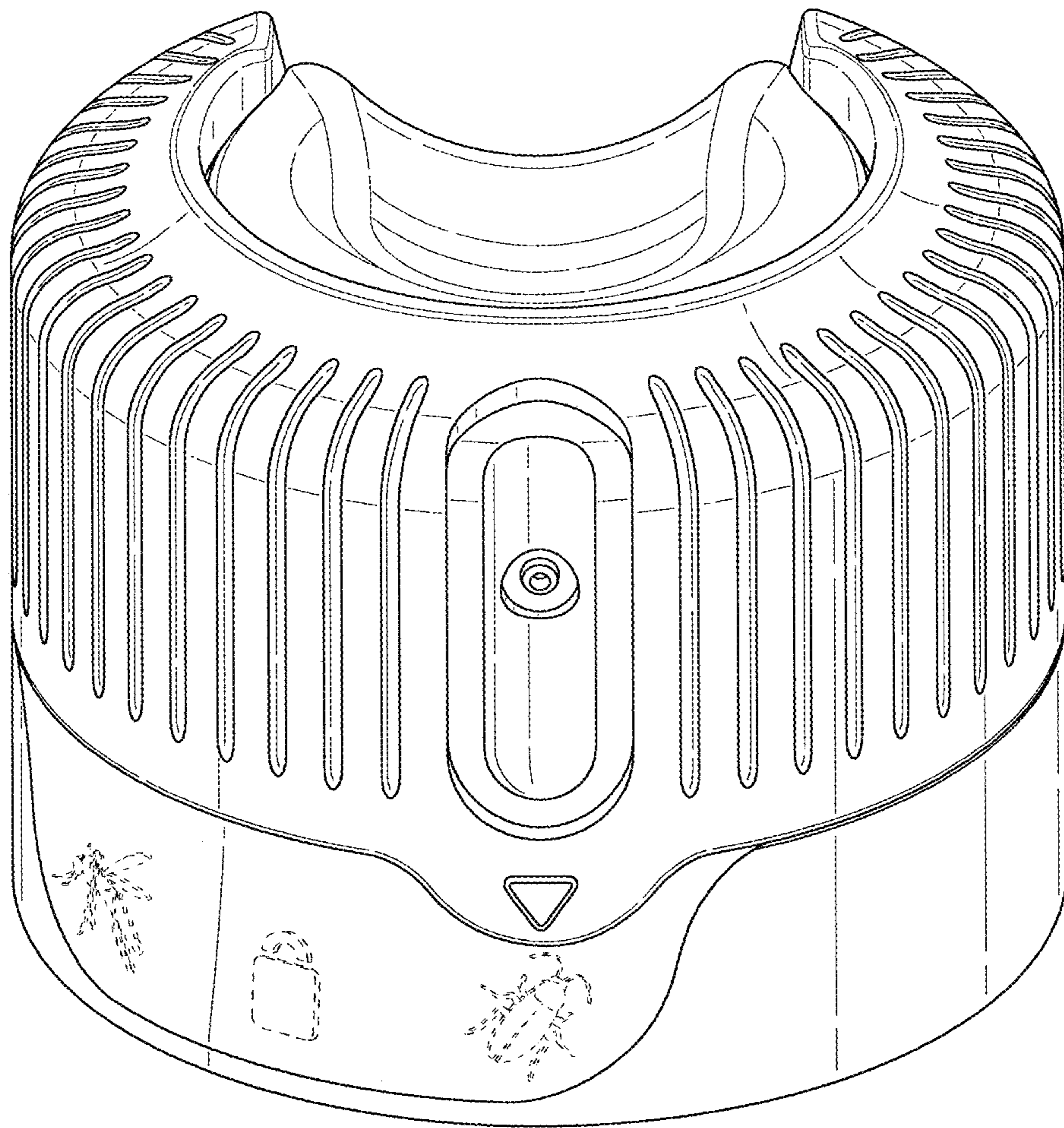


Fig. 1

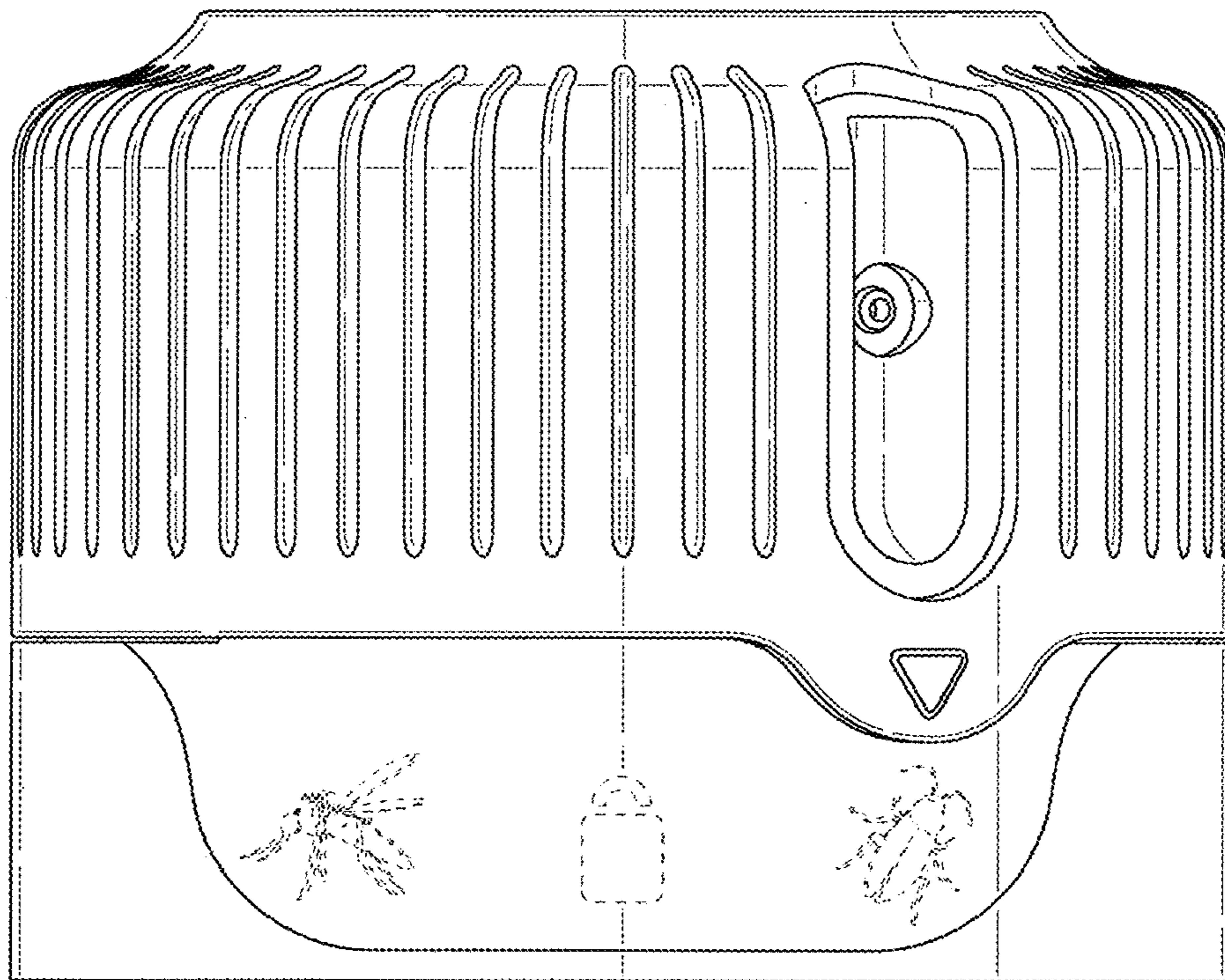


Fig. 2

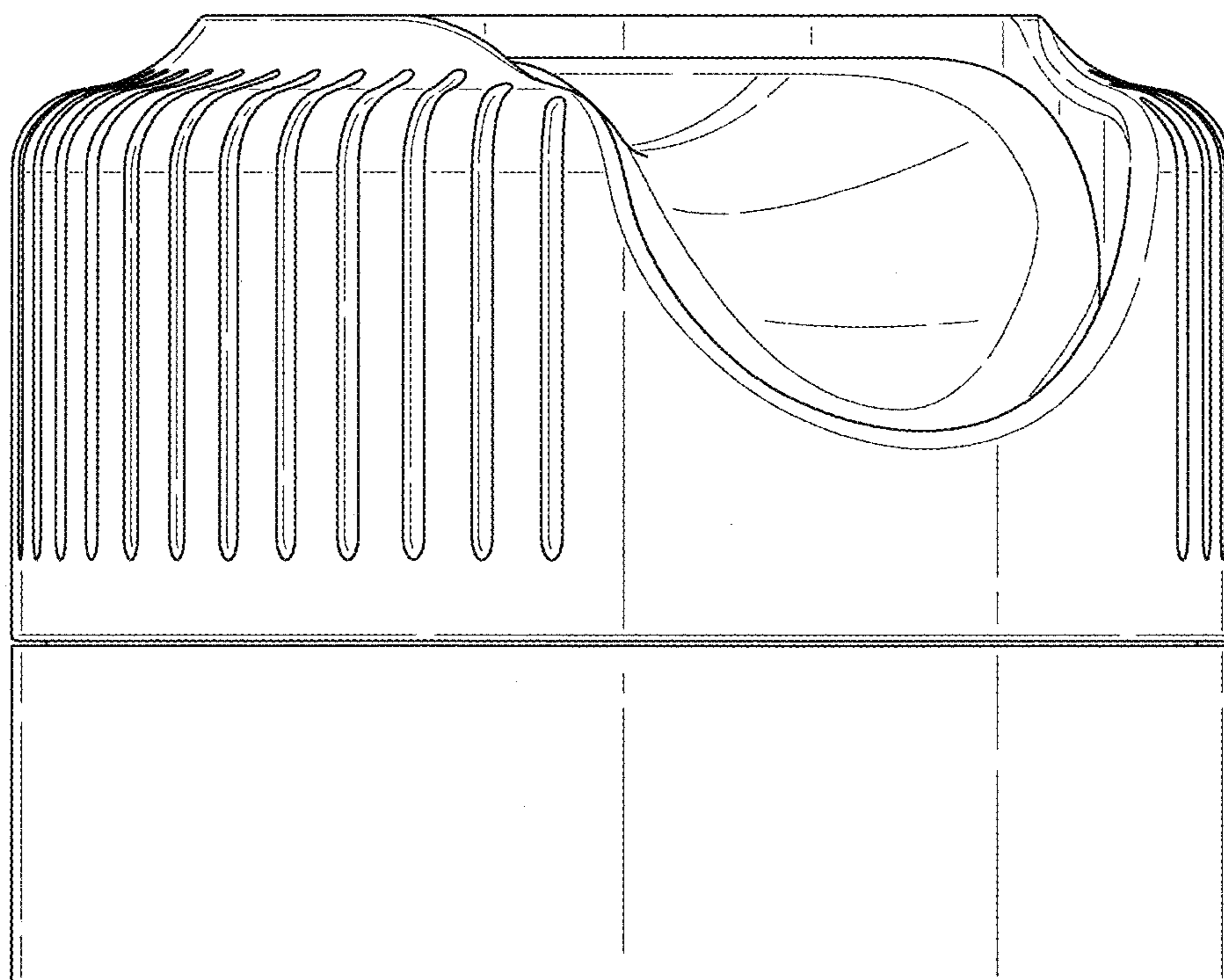


Fig. 3

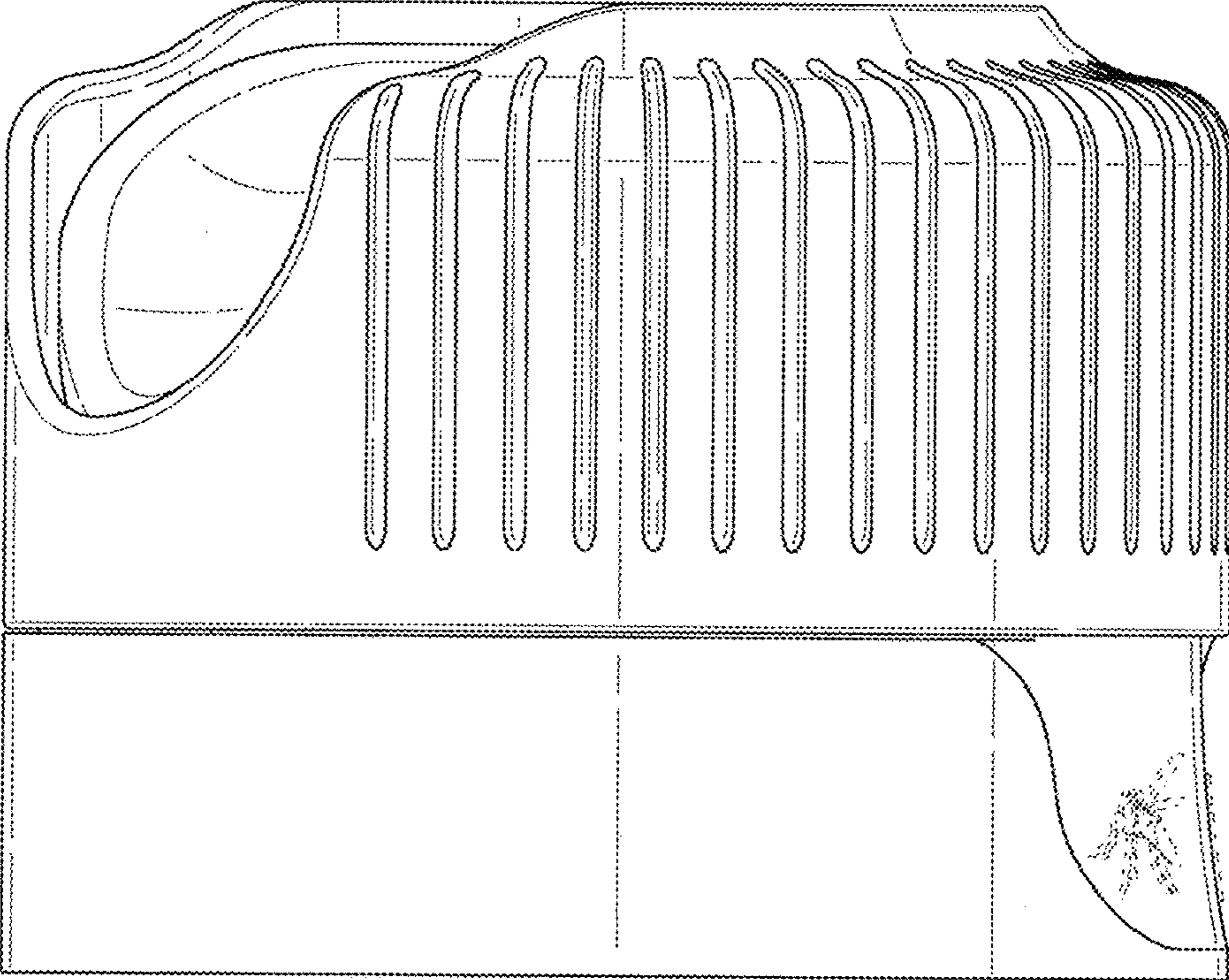


Fig. 4

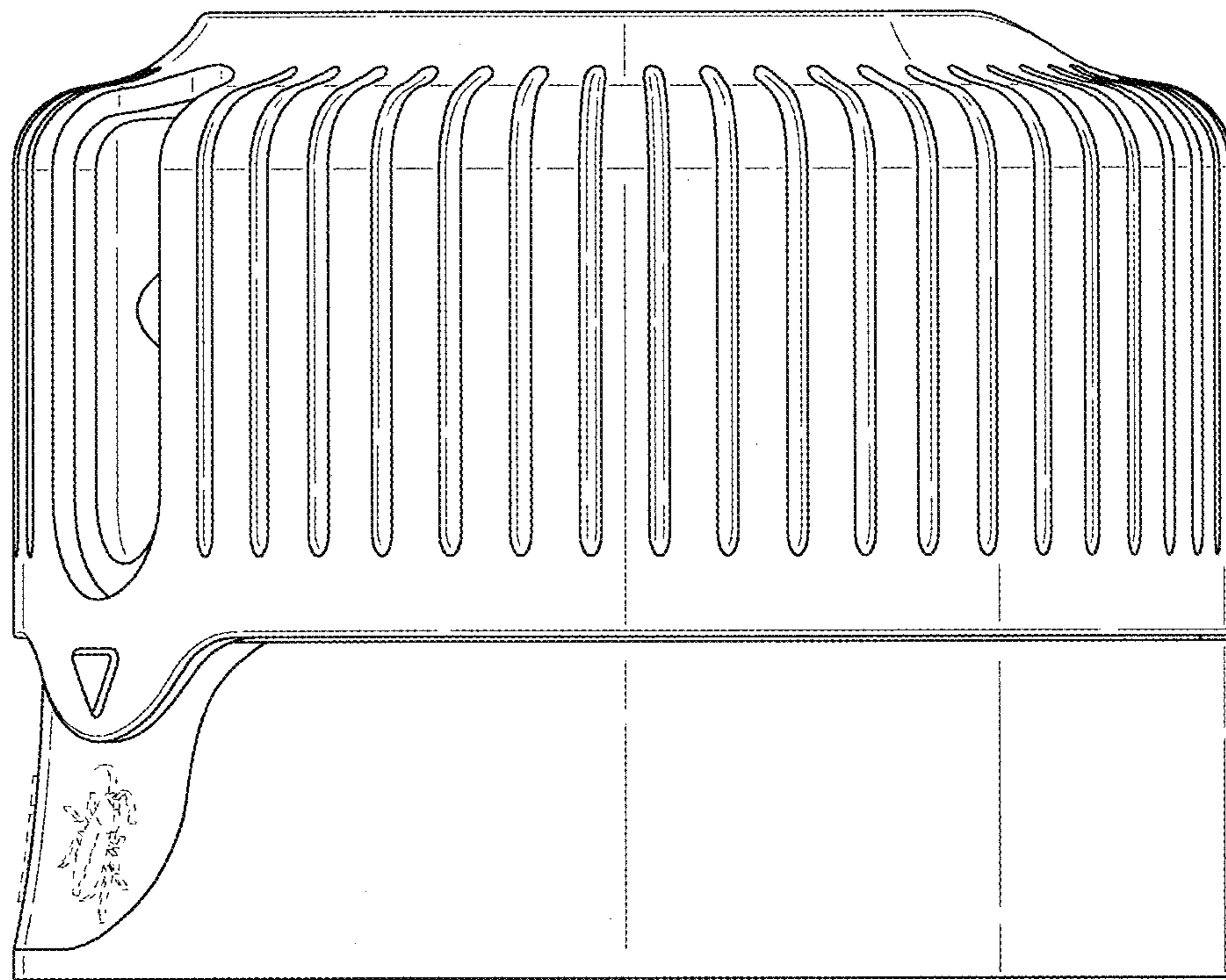


Fig. 5

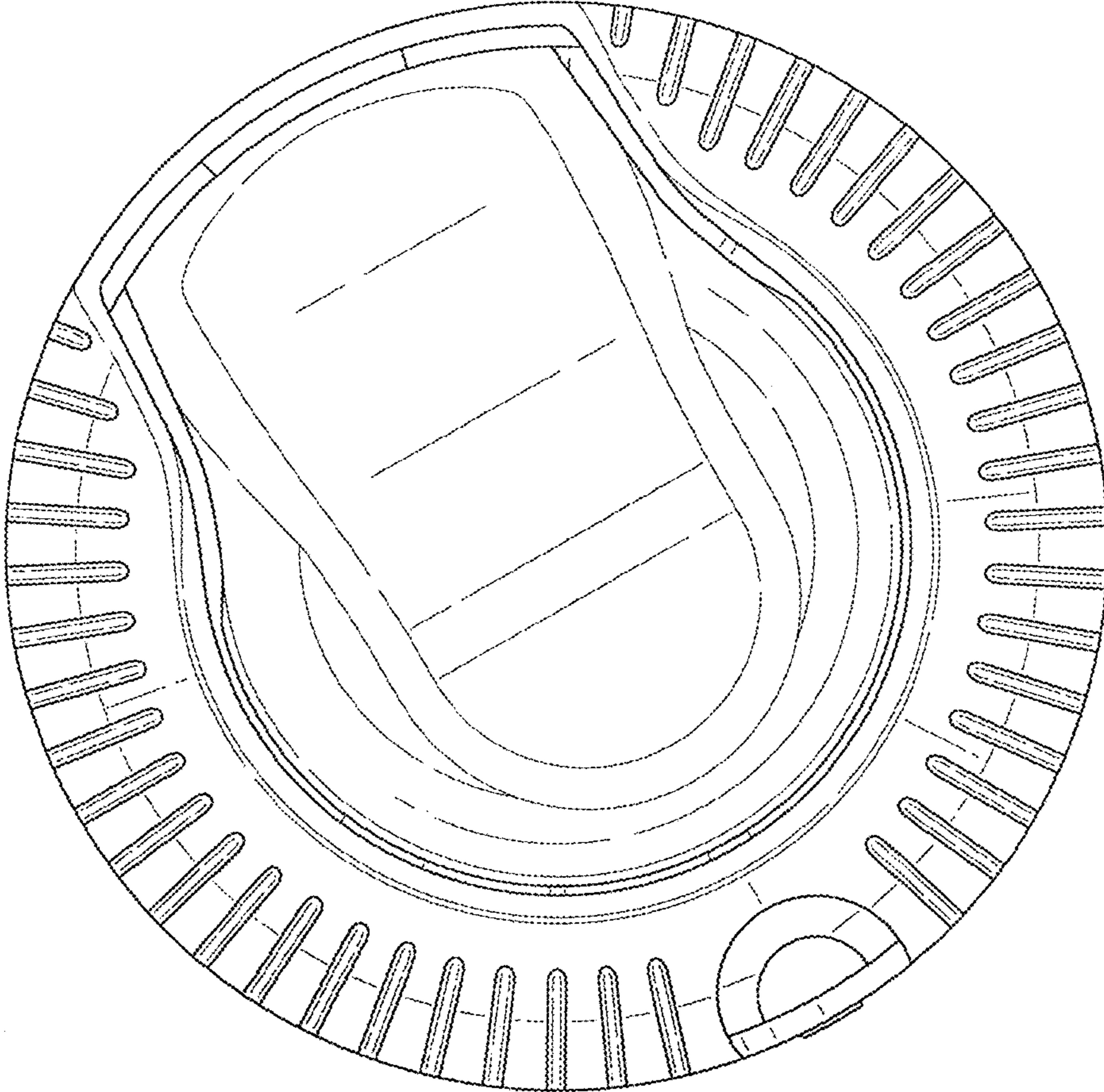


Fig. 6



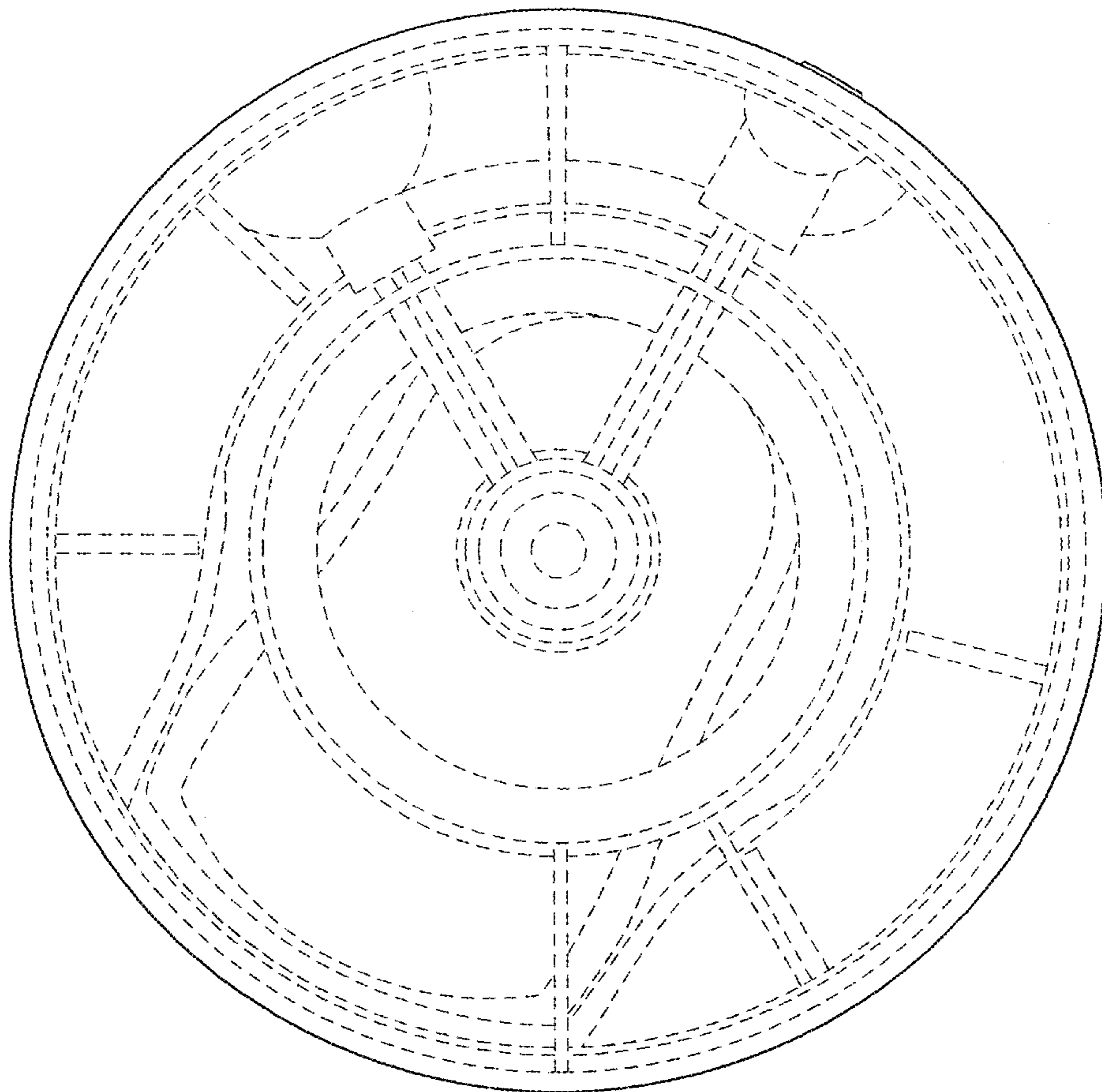


Fig. 7