



US00D836433S

(12) **United States Design Patent**
Cahalan

(10) **Patent No.:** **US D836,433 S**

(45) **Date of Patent:** **** Dec. 25, 2018**

(54) **LID WITH DISPENSING ORIFICE**

(71) Applicant: **PROFESSIONAL DISPOSABLES INTERNATIONAL, INC.**,
Orangeburg, NY (US)

(72) Inventor: **Gerard Anthony Cahalan**, New
Milford, CT (US)

(73) Assignee: **PROFESSIONAL DISPOSABLES INTERNATIONAL, INC.**,
Orangeburg, NY (US)

(**) Term: **15 Years**

(21) Appl. No.: **29/603,082**

(22) Filed: **May 5, 2017**

(51) **LOC (11) Cl.** **09-07**

(52) **U.S. Cl.**
USPC **D9/447**

(58) **Field of Classification Search**
USPC D3/318; D7/213, 300, 317, 387, 397,
D7/398, 401.1, 590; D8/300, 310, 312,
D8/321, 387; D9/434-436, 439, 440,
D9/442, 443, 445, 447, 448, 452-454,
D9/499; D23/208, 260
CPC B65D 77/286; B65D 51/002; B65D 25/40
See application file for complete search history.

(56) **References Cited**

U.S. PATENT DOCUMENTS

- 1,284,635 A * 11/1918 Ford B65D 47/265
222/541.1
- D240,022 S * 5/1976 Laurizio D9/439
- D296,765 S * 7/1988 Urion D9/434
- D361,512 S * 8/1995 Dalmaz D9/440

(Continued)

OTHER PUBLICATIONS

Glaro. Manufacturer Glaro Incorporated Announces Innovative
New Product Line of Wipe Dispensers . . . May 30, 2014 [earliest

online date]. URL: <http://glaro.biz/manufacturer-glaro-incorporated-announces-innovative-new-product-line-of-wipe-dispensers-wipes-and-waste-receptacles-to-its-dealers-distributors/> (Year: 2014).*

(Continued)

Primary Examiner — George D. Kirschbaum

Assistant Examiner — Darcey E Heflin

(74) *Attorney, Agent, or Firm* — Baker Botts L.L.P.

(57) **CLAIM**

The ornamental design for a lid with dispensing orifice, as shown and described.

DESCRIPTION

FIG. 1 is a top perspective view of a lid with dispensing orifice in an open position, in an environment of use shown as connected with a canister base drawn in broken lines, in accordance with the disclosed subject matter.

FIG. 2 is a top perspective view of the lid with dispensing orifice.

FIG. 3 is a top plan view of the lid with dispensing orifice shown in FIG. 2.

FIG. 4 is a bottom plan view of the lid with dispensing orifice shown in FIG. 2.

FIG. 5 is an enlarged partial top plan view of the lid with dispensing orifice shown in FIG. 2.

FIG. 6 is an enlarged partial bottom plan view of the lid with dispensing orifice shown in FIG. 2.

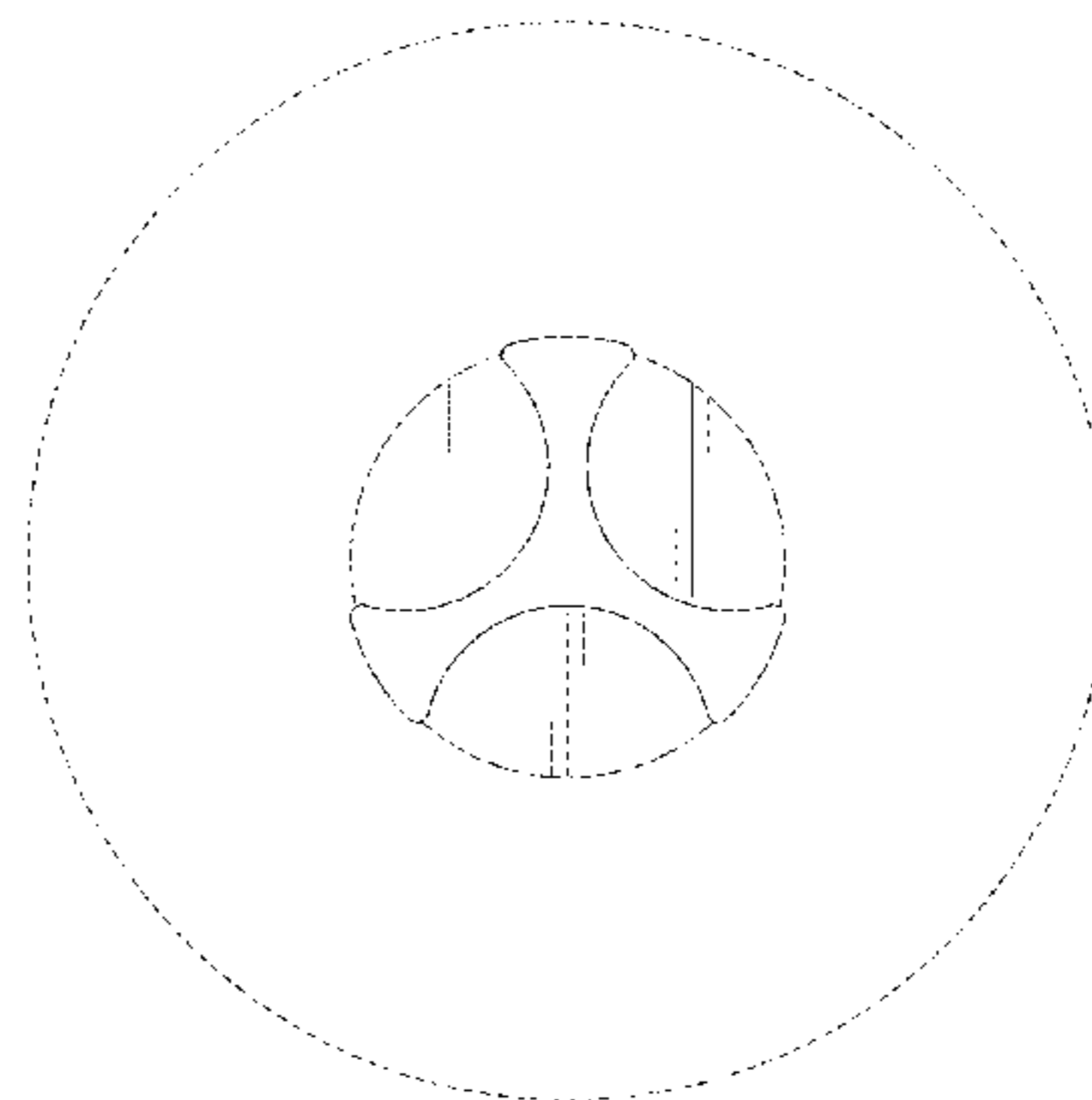
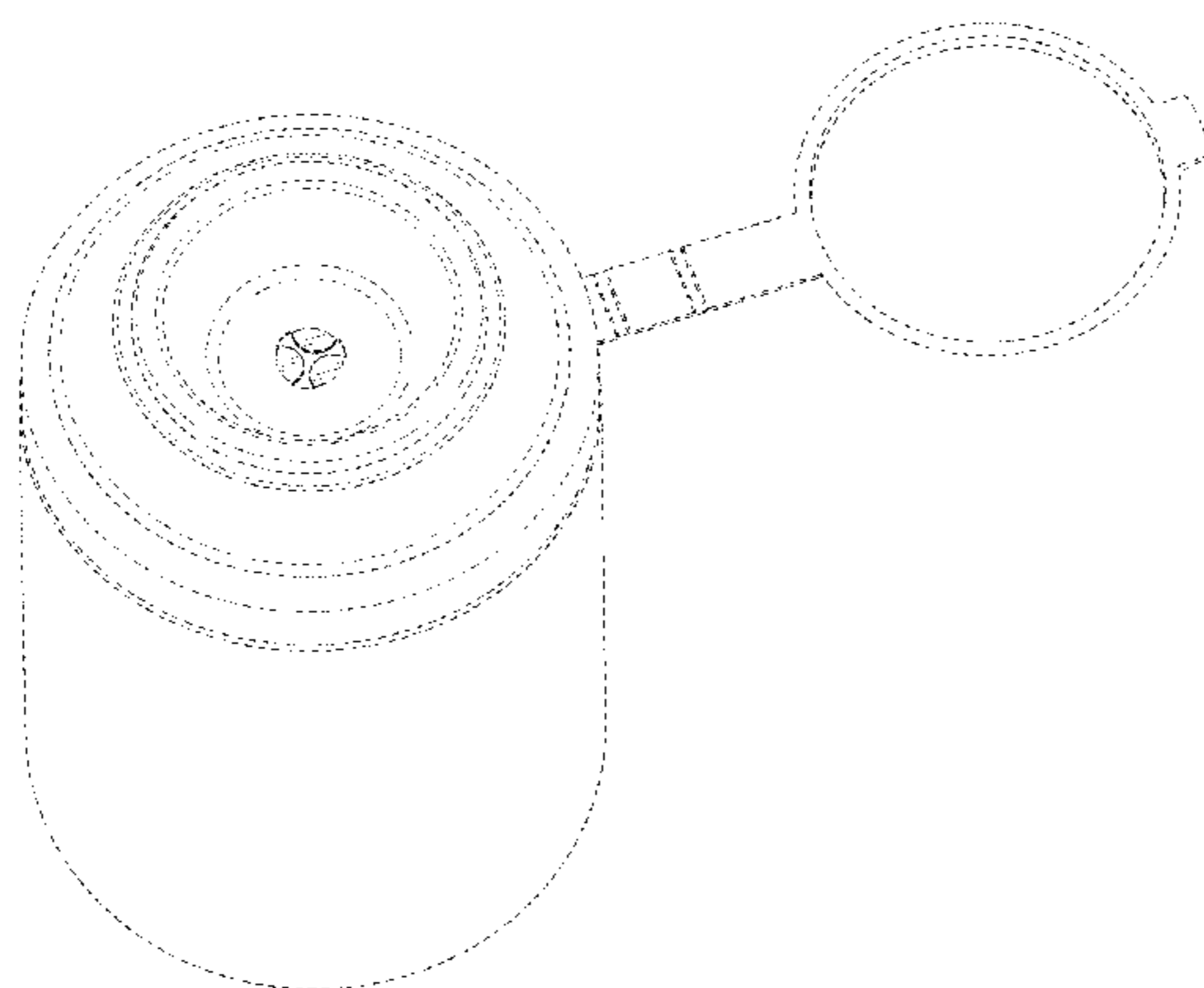
FIG. 7 is a right side view of the lid with dispensing orifice shown in FIG. 2.

FIG. 8 is a left side view of the lid with dispensing orifice shown in FIG. 2; and,

FIG. 9 is a perspective view of the lid with dispensing orifice of FIG. 2 in a closed position.

In the drawings, the evenly-spaced broken lines showing portions of a lid and canister base depict environment and form no part of the claimed design. The dash-dot-dash lines represent boundaries of the claimed design and form no part of the claimed design.

1 Claim, 8 Drawing Sheets



(56)

References Cited

U.S. PATENT DOCUMENTS

6,409,044	B1	6/2002	Brown et al.	
6,554,156	B1	4/2003	Chong	
D493,097	S *	7/2004	Shinjo	D8/387
D516,910	S *	3/2006	Bresler	D9/447
7,178,690	B2	2/2007	Chasid et al.	
D542,652	S	5/2007	Moribata et al.	
D559,094	S *	1/2008	Totsu	D8/387
D642,901	S *	8/2011	Li	D8/387
D649,446	S *	11/2011	Totsu	D8/387
D654,354	S *	2/2012	Jeon	D8/387
D660,595	S *	5/2012	Duke	D3/318
D677,146	S *	3/2013	Davis	D8/387
D678,765	S *	3/2013	Brown	D9/434
D723,910	S *	3/2015	Totsu	D8/387
D729,052	S *	5/2015	Summers	D8/387
D730,185	S	5/2015	Blanco et al.	
D732,944	S *	6/2015	Johnson	D8/387
D738,210	S *	9/2015	Tanner	D9/440
D753,488	S *	4/2016	Escobar	D9/445
D755,042	S *	5/2016	Kalis	D8/387
D773,930	S	12/2016	Azelton et al.	

OTHER PUBLICATIONS

Vet Research. Hot Selling Portable Japanese Wet Wipes. 2018 [earliest online date], [site visited Jan. 29, 2018]. Available from Internet, <URL:<http://www.vet-research.net/item-detail/hot-selling-portable-japanese-wet-wipes-dispenser-screen-cleaning-wipes-in-pe-barrel.html>>. (Year: 2018).*

* cited by examiner

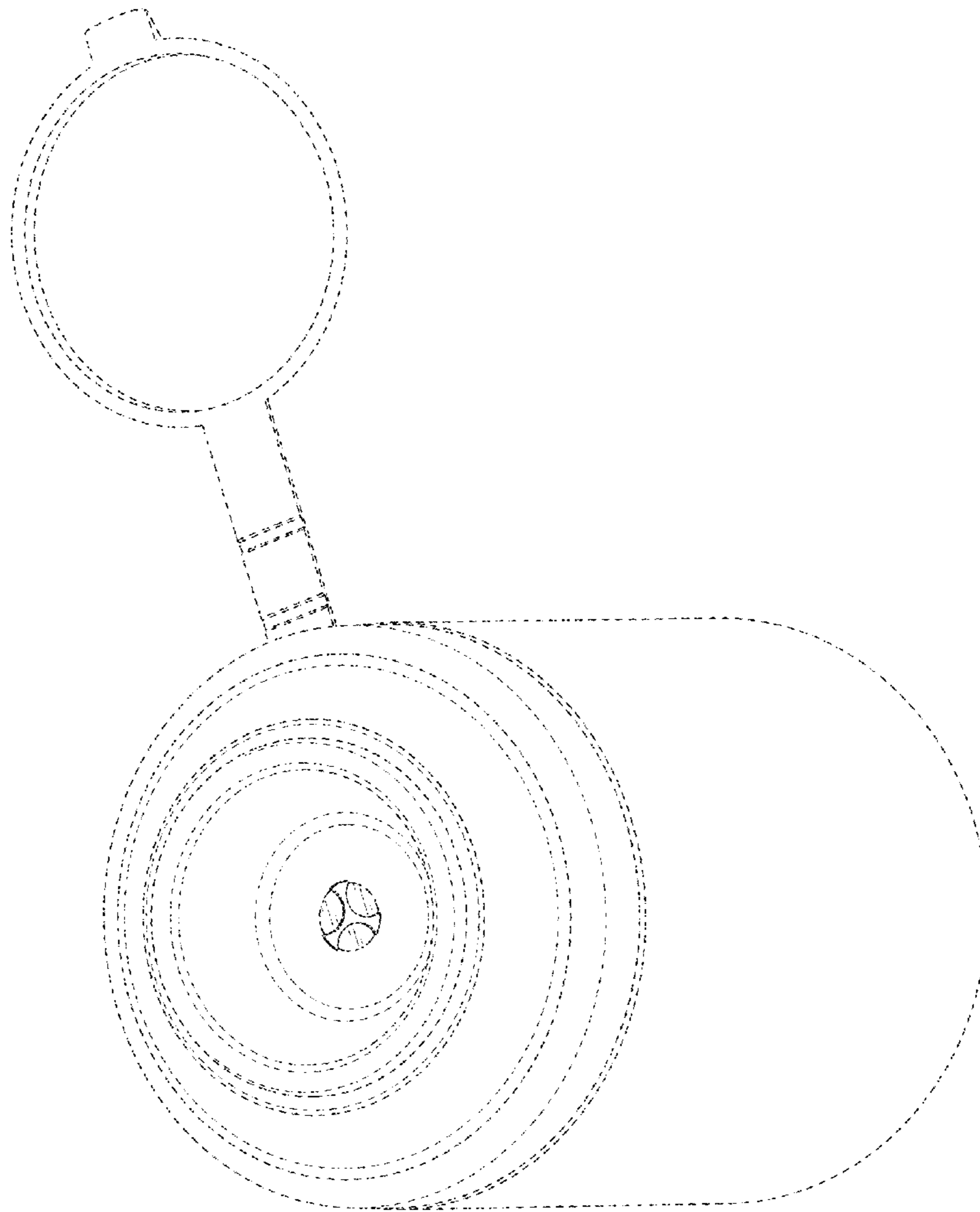


FIG. 1

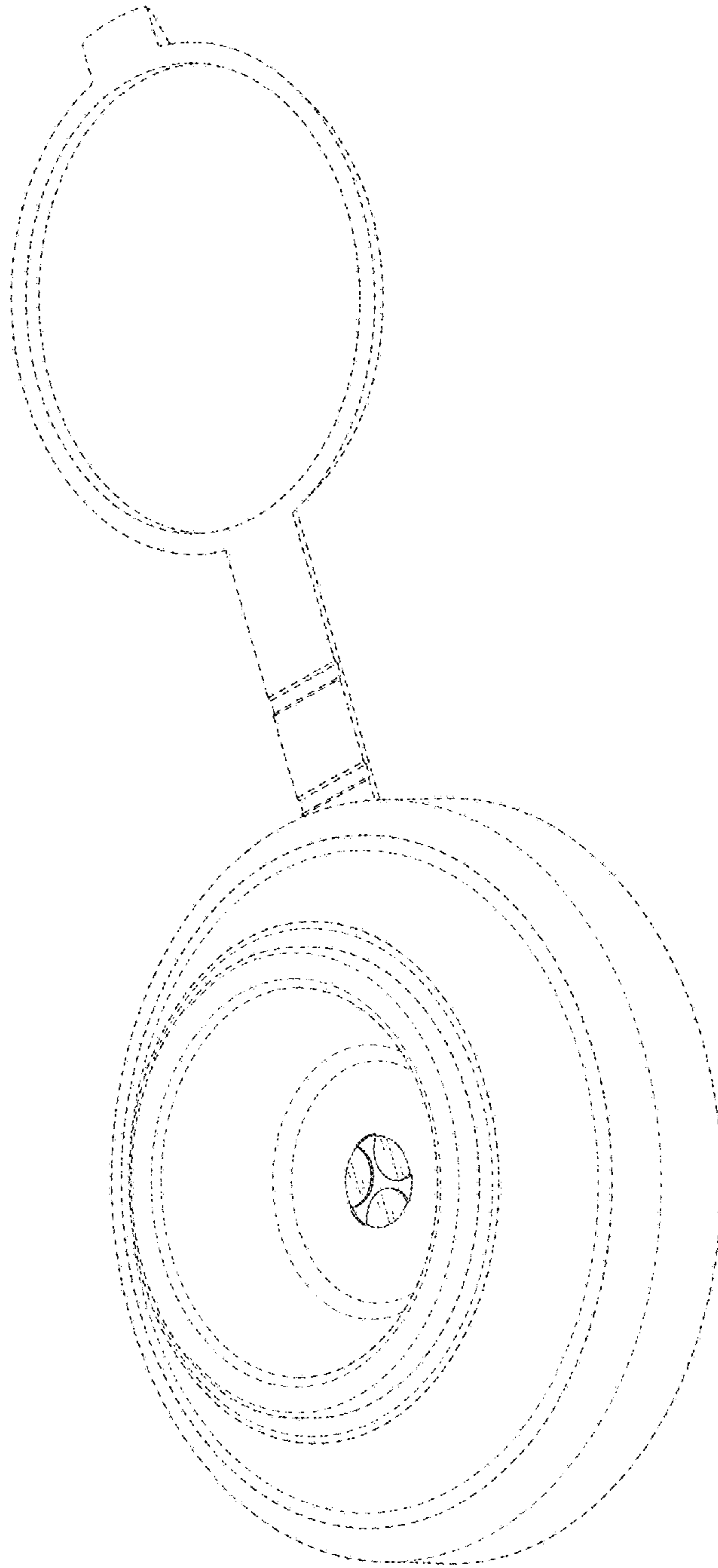


FIG. 2

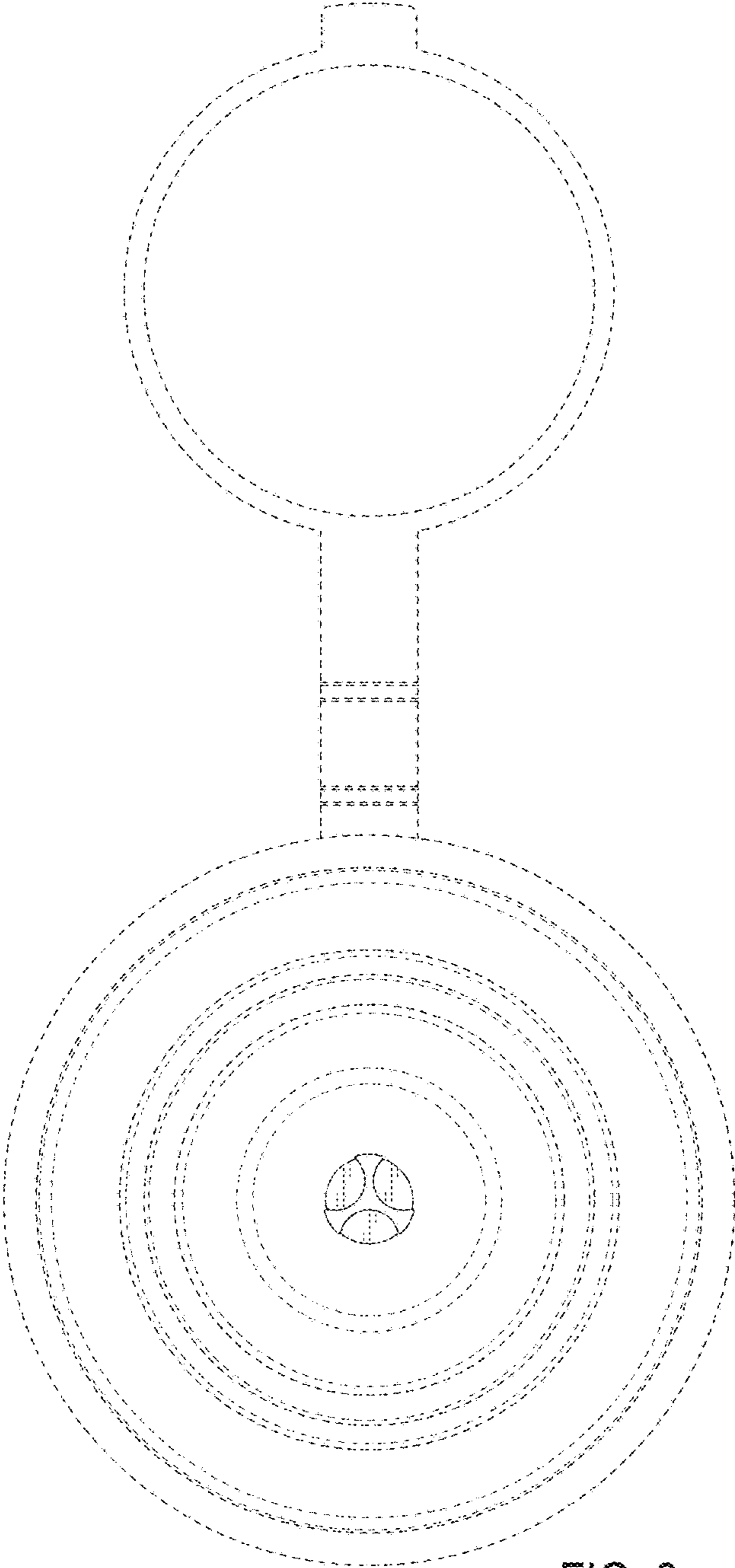


FIG. 3

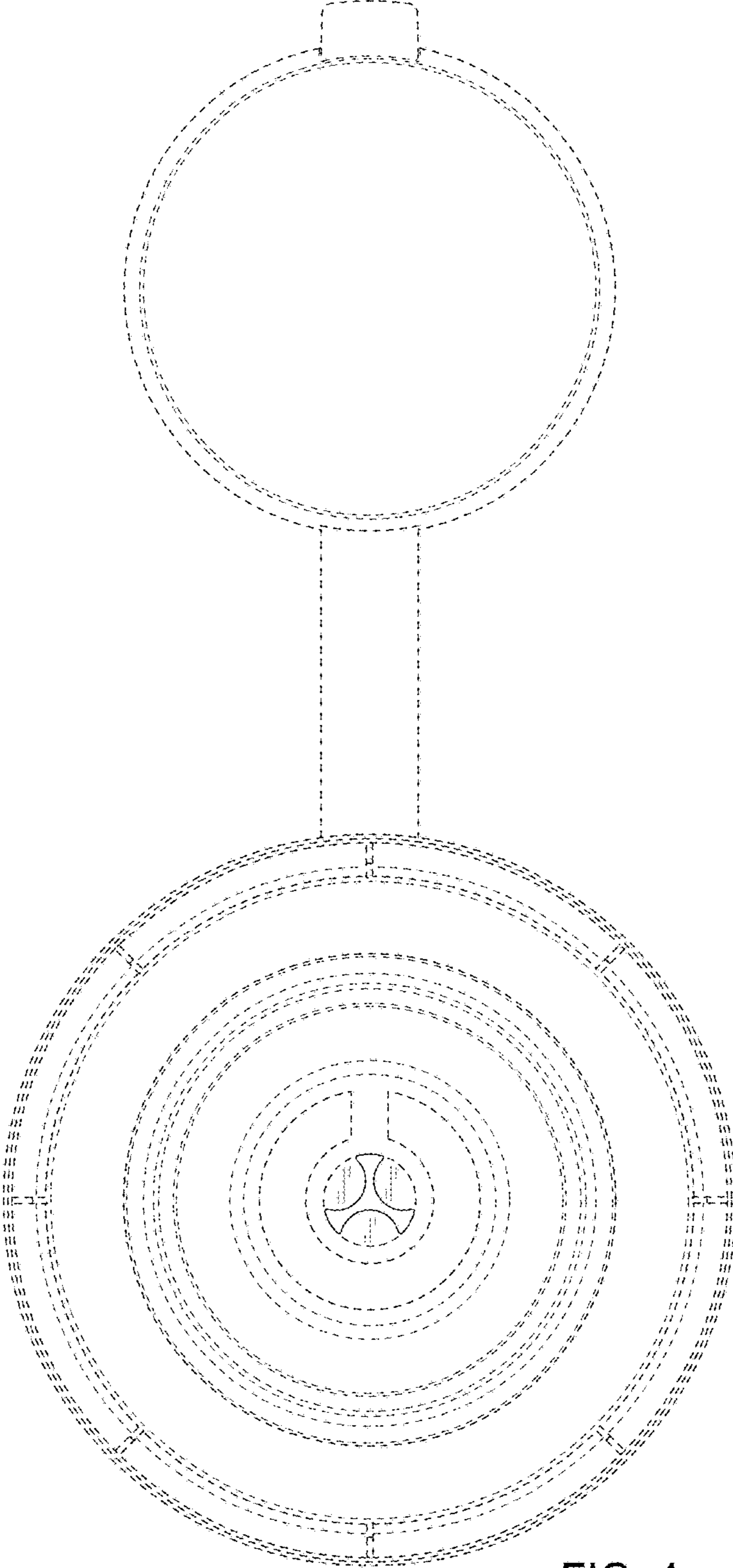


FIG. 4

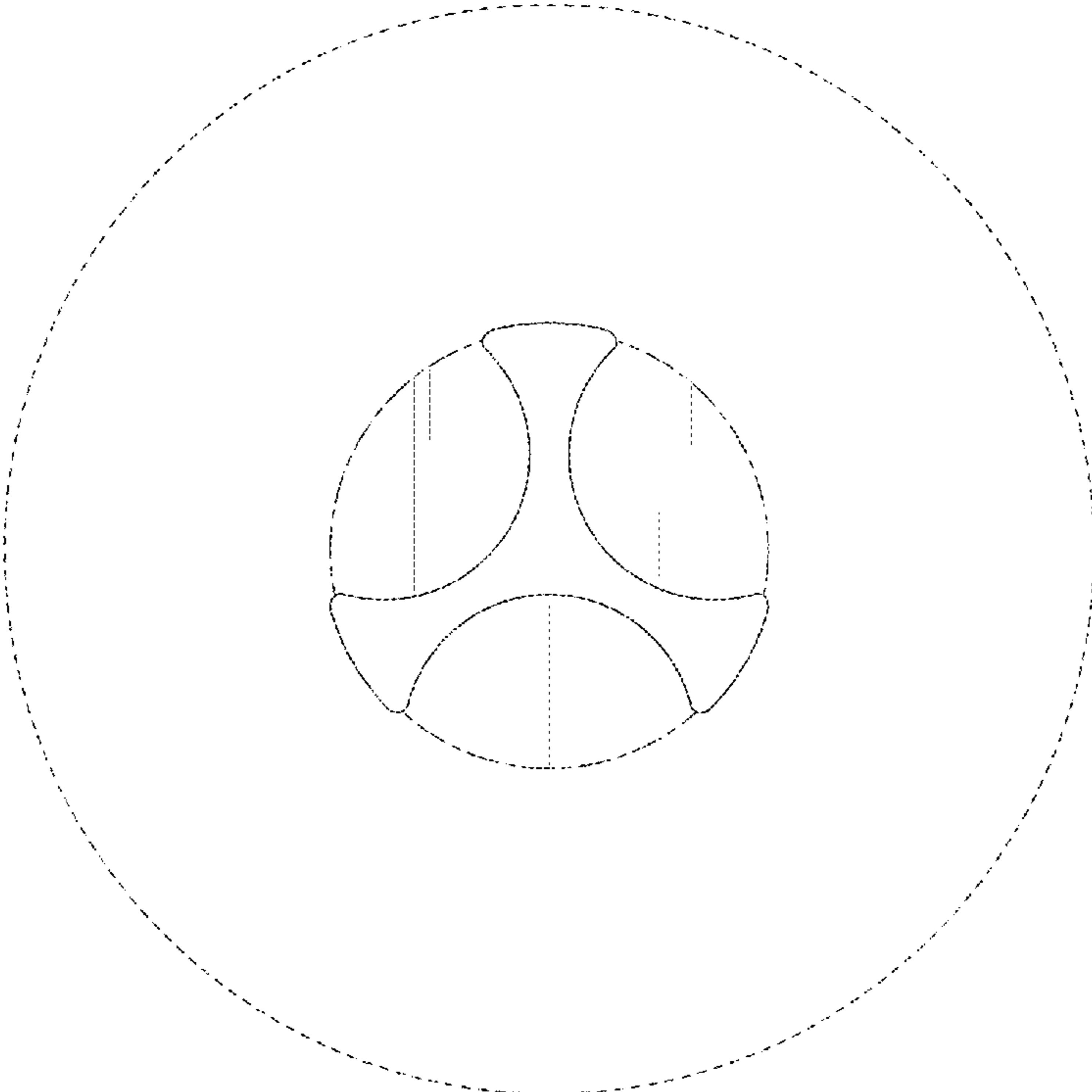


FIG. 5

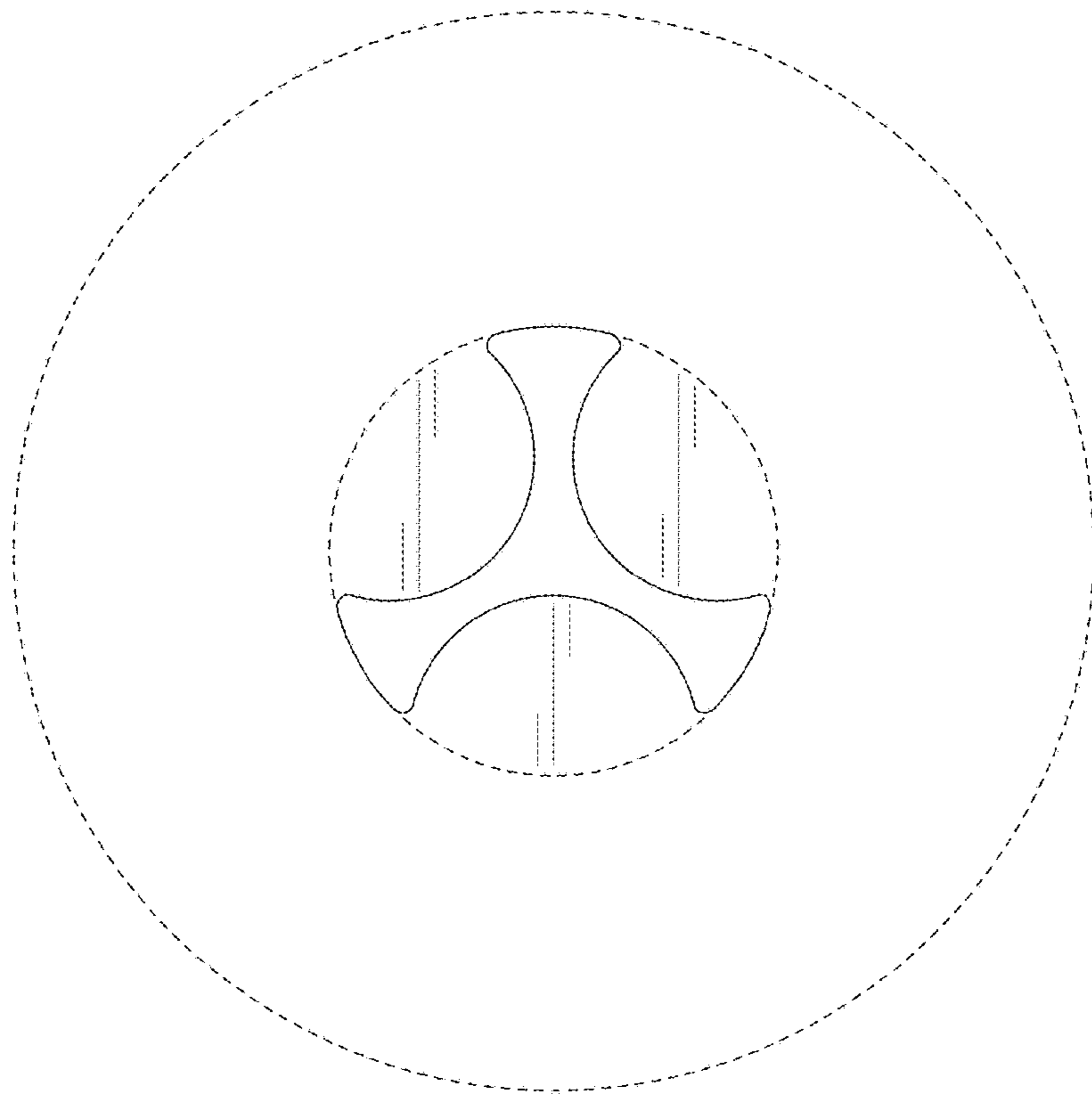


FIG. 6

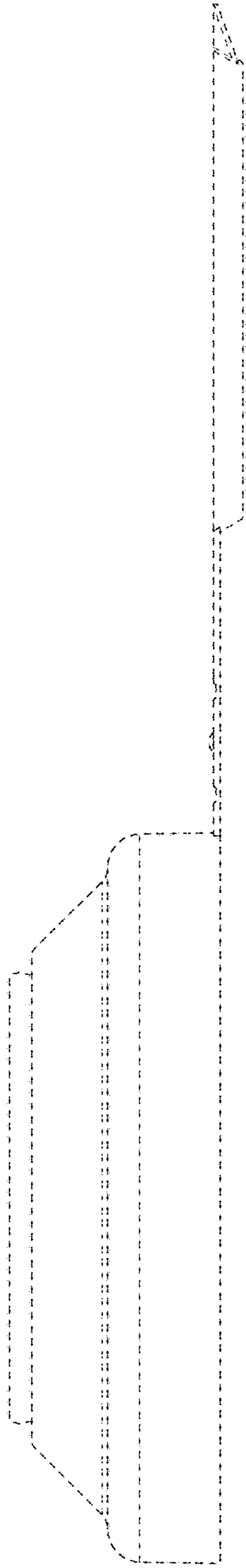


FIG. 7

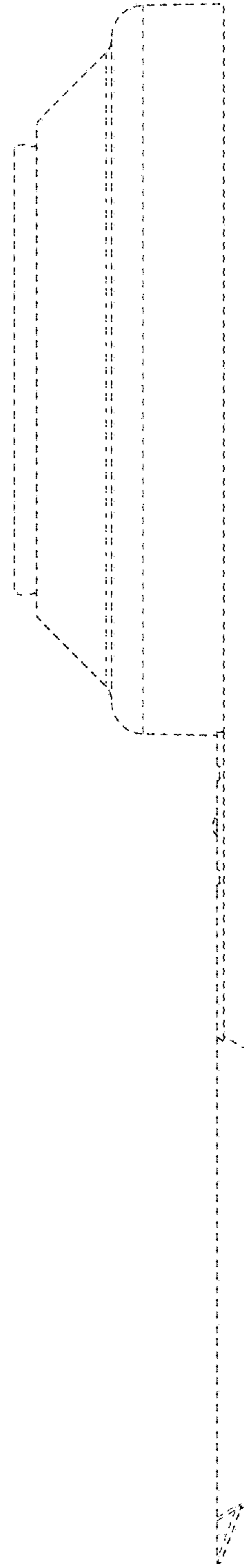


FIG. 8

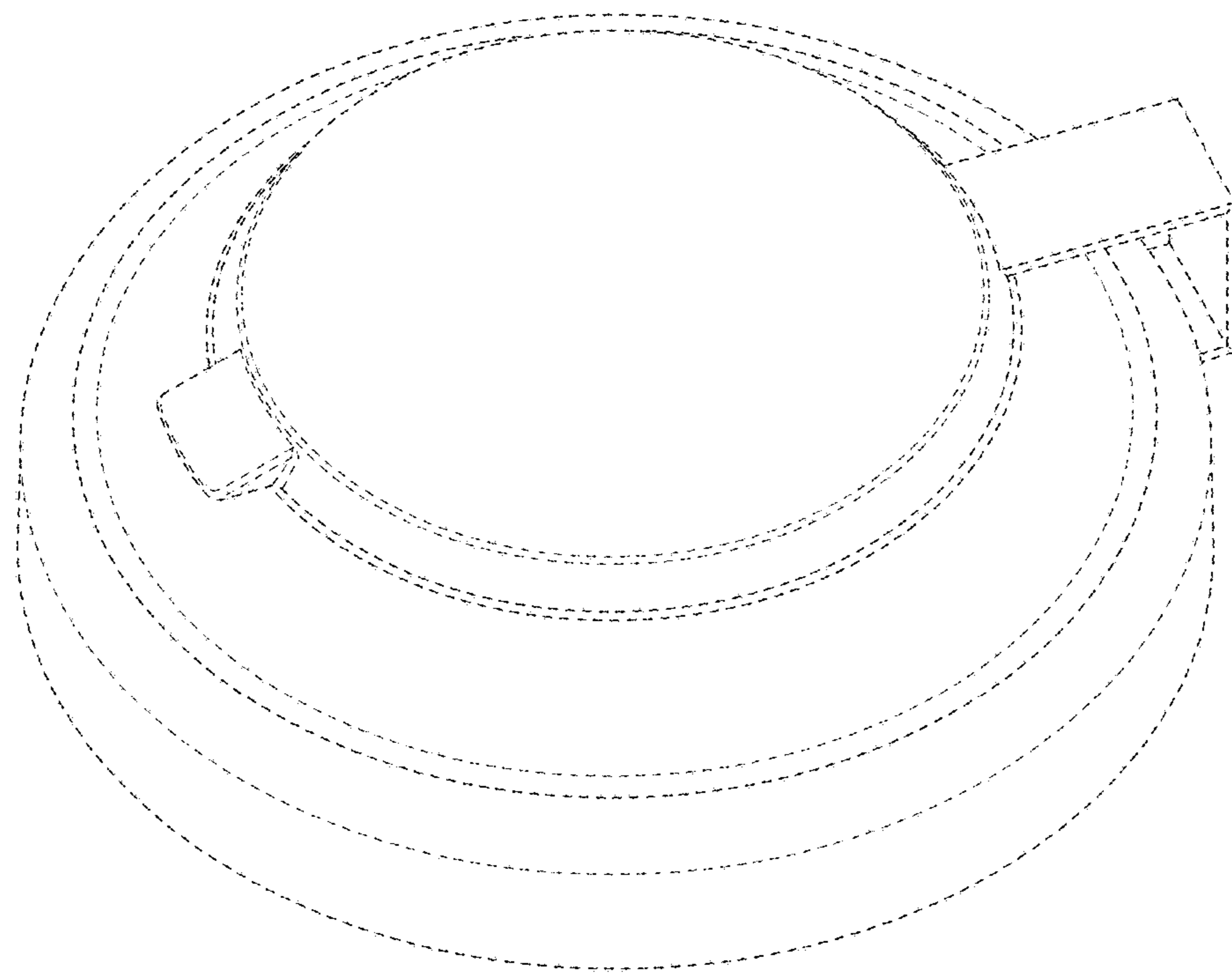


FIG. 9