



US00D836431S

(12) **United States Design Patent** (10) **Patent No.:** **US D836,431 S**
Frost (45) **Date of Patent:** **** Dec. 25, 2018**

(54) **HOSE CLIP**
(71) Applicant: **Donald Joseph Frost**, Westtown, NY (US)
(72) Inventor: **Donald Joseph Frost**, Westtown, NY (US)
(**) Term: **15 Years**
(21) Appl. No.: **29/583,674**
(22) Filed: **Nov. 8, 2016**
(51) **LOC (11) Cl.** **08-08**
(52) **U.S. Cl.**
USPC **D8/396**
(58) **Field of Classification Search**
USPC D8/394-396, 349-356, 373, 400, 21-26, D8/29, 499
CPC . H01R 11/11; F16L 23/036; F16L 3/13; F16L 3/1033; E04B 2/74
See application file for complete search history.

5,110,078 A * 5/1992 Gary F21V 19/0005
248/206.2
5,332,090 A * 7/1994 Tucker A63B 55/408
206/315.3
D350,947 S * 9/1994 Klinger D14/454
D363,211 S * 10/1995 Noble D8/371
5,462,212 A * 10/1995 Hertel, Jr. B60N 3/14
206/86
D371,735 S * 7/1996 Motta D6/535
D375,453 S * 11/1996 Fleck D8/395
D375,890 S * 11/1996 Takai D8/380
D376,973 S * 12/1996 Brown D8/395
5,609,415 A * 3/1997 Protz, Jr. F21V 21/08
248/229.16
5,806,669 A * 9/1998 Kim B65D 83/285
206/228
D406,051 S * 2/1999 Ross D8/395
D417,612 S * 12/1999 Jones D26/138
D432,404 S * 10/2000 Garfinkle D8/395
D435,684 S * 12/2000 Gary D26/138
D451,730 S * 12/2001 Henderson D6/534

(Continued)

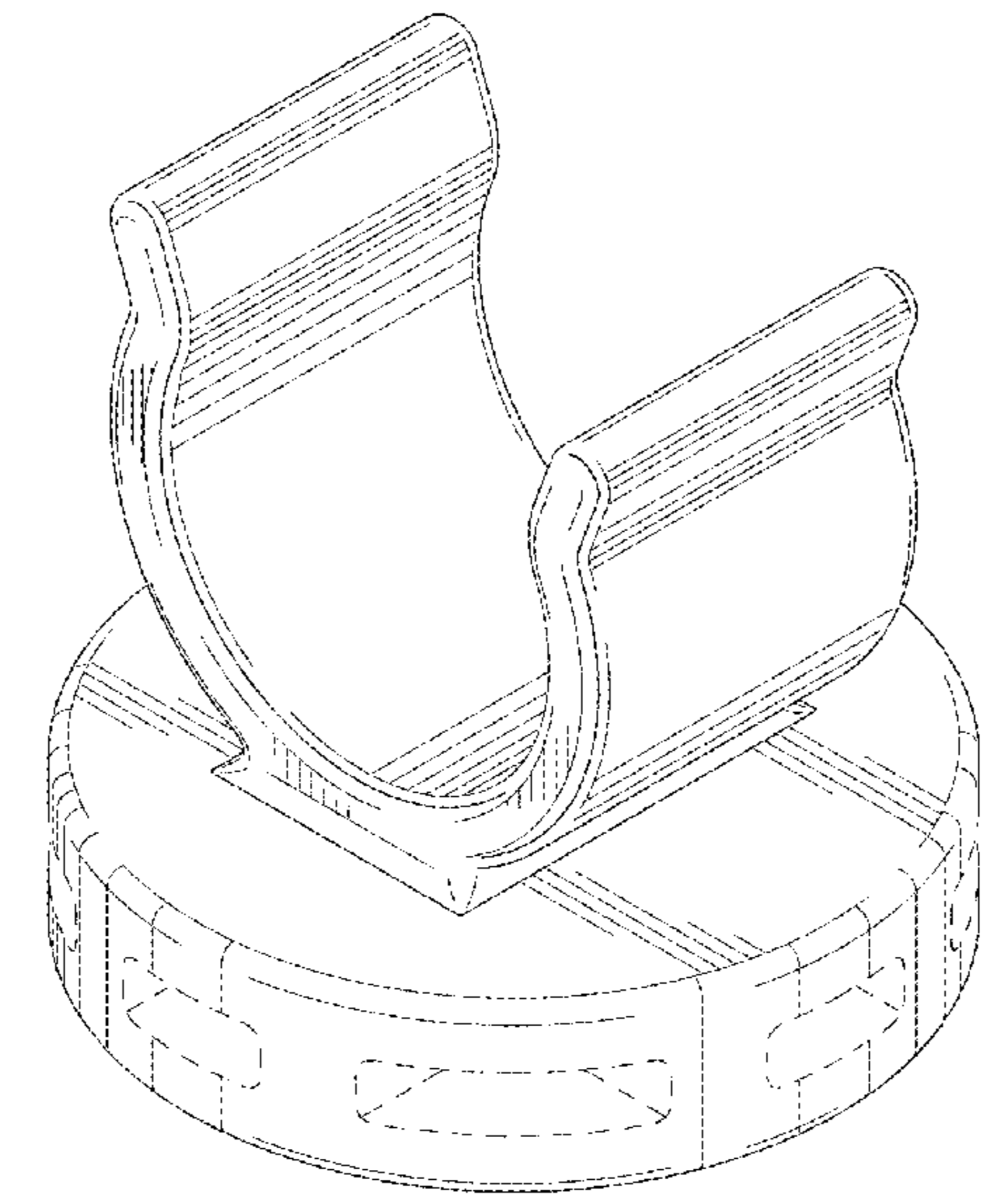
Primary Examiner — John Windmuller
(74) *Attorney, Agent, or Firm* — Dunlap Bennett & Ludwig PLLC; Brendan E. Squire

(56) **References Cited**
U.S. PATENT DOCUMENTS
3,521,332 A * 7/1970 Kramer F16B 2/22
248/229.26
3,596,859 A * 8/1971 MacDonald F21S 4/10
248/214
D240,681 S * 7/1976 Granatelli D6/526
D241,314 S * 9/1976 Hug D11/27
4,121,798 A * 10/1978 Schumacher A47L 13/512
24/336
D267,231 S * 12/1982 Guem, Jr. D21/775
D295,723 S * 5/1988 Shioda D8/380
D295,725 S * 5/1988 Shioda D8/380
4,901,960 A * 2/1990 Gary F21V 19/0005
248/205.3
D309,280 S * 7/1990 Balfanz-Lee D11/201
4,962,907 A * 10/1990 Gary F21V 19/0005
248/205.3

(57) **CLAIM**
The ornamental design for a hose clip, as shown and described.

DESCRIPTION
FIG. 1 is a top front perspective view of the hose clip;
FIG. 2 is a front elevation view thereof, with the rear elevation view being a mirror image thereof;
FIG. 3 is a right elevation view thereof, with the left elevation view being a mirror image thereof;
FIG. 4 is a top elevation view thereof; and,
FIG. 5 is a bottom elevation view thereof.
The broken lines shown in the drawings illustrate portions of the hose clip that form no part of the claimed design.

1 Claim, 3 Drawing Sheets



(56)

References Cited

U.S. PATENT DOCUMENTS

D470,937 S * 2/2003 Gary D24/138
D483,654 S * 12/2003 Taylor D8/356
D537,331 S * 2/2007 Hill D8/395
D552,463 S * 10/2007 French D8/395
D560,482 S * 1/2008 Casteel D8/395
D560,483 S * 1/2008 Mercier D6/550
D569,150 S * 5/2008 Vasilev D6/534
D571,648 S * 6/2008 Rieder D8/395
D625,996 S * 10/2010 Witty D8/396
D648,211 S * 11/2011 Weaver D8/396
D652,517 S * 1/2012 Weaver D24/134
D672,004 S * 12/2012 Stracener D22/108
D682,464 S * 5/2013 Gary D26/142
D690,997 S * 10/2013 Zemel D7/590
D692,689 S * 11/2013 Yiannaki D6/606
D695,550 S * 12/2013 Yiannaki D6/606
9,010,708 B2 * 4/2015 Vasilev A47K 1/09
206/15.3
D729,542 S * 5/2015 Dontfraid D6/534
D730,163 S * 5/2015 Wu D8/376
D761,097 S * 7/2016 Votel D8/394
D773,287 S * 12/2016 Lida D8/363
D773,885 S * 12/2016 Loshuk D7/387
D793,646 S * 8/2017 Bacallao D34/27
D806,527 S * 1/2018 Baker, Jr. D8/396
D811,861 S * 3/2018 Ravassa D8/367
D812,456 S * 3/2018 Nolta D8/373
D815,517 S * 4/2018 Van Fleet D8/396
D821,248 S * 6/2018 Naqvi D11/3
2012/0069587 A1 * 3/2012 Holland F21V 21/088
362/396

* cited by examiner

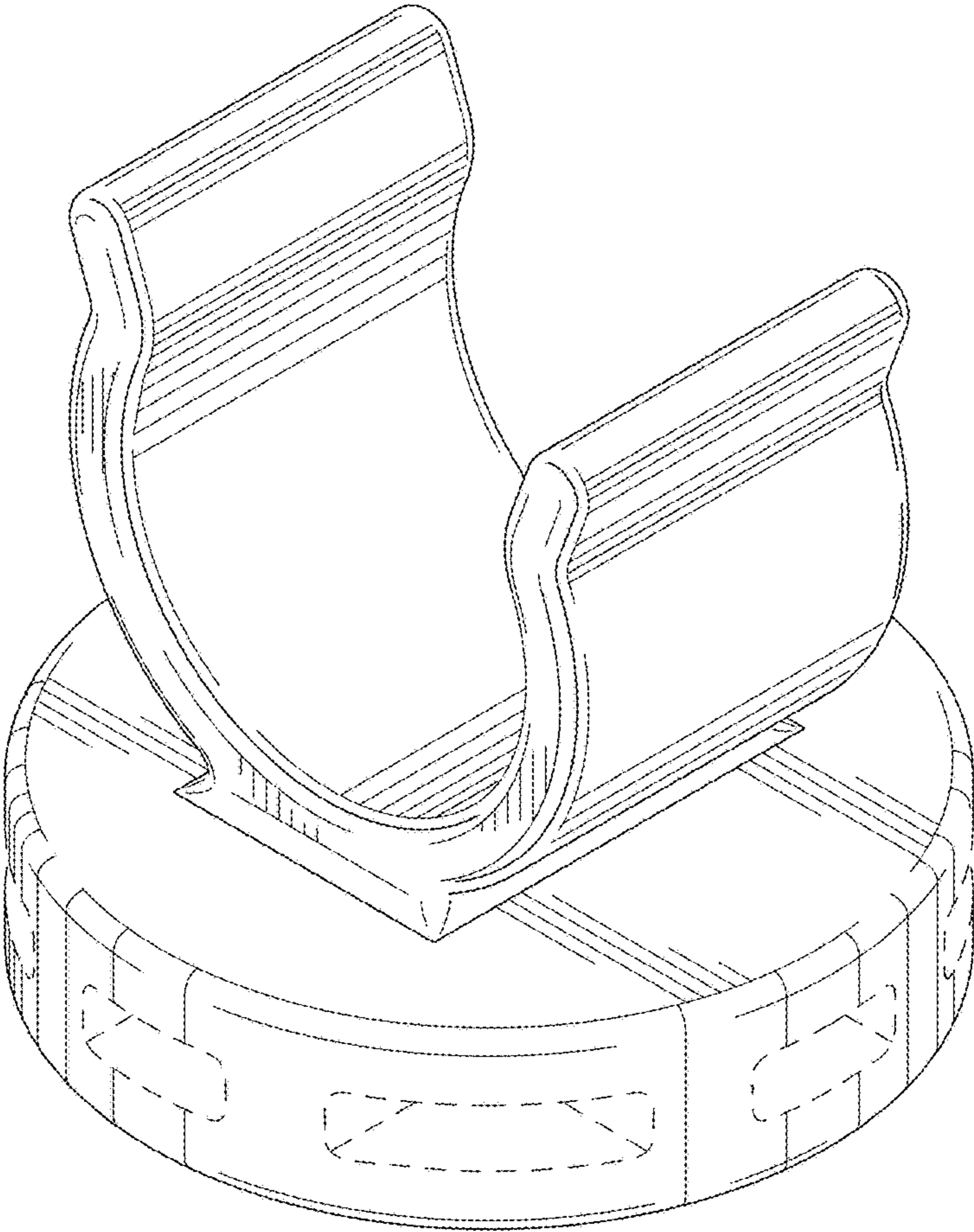


FIG. 1

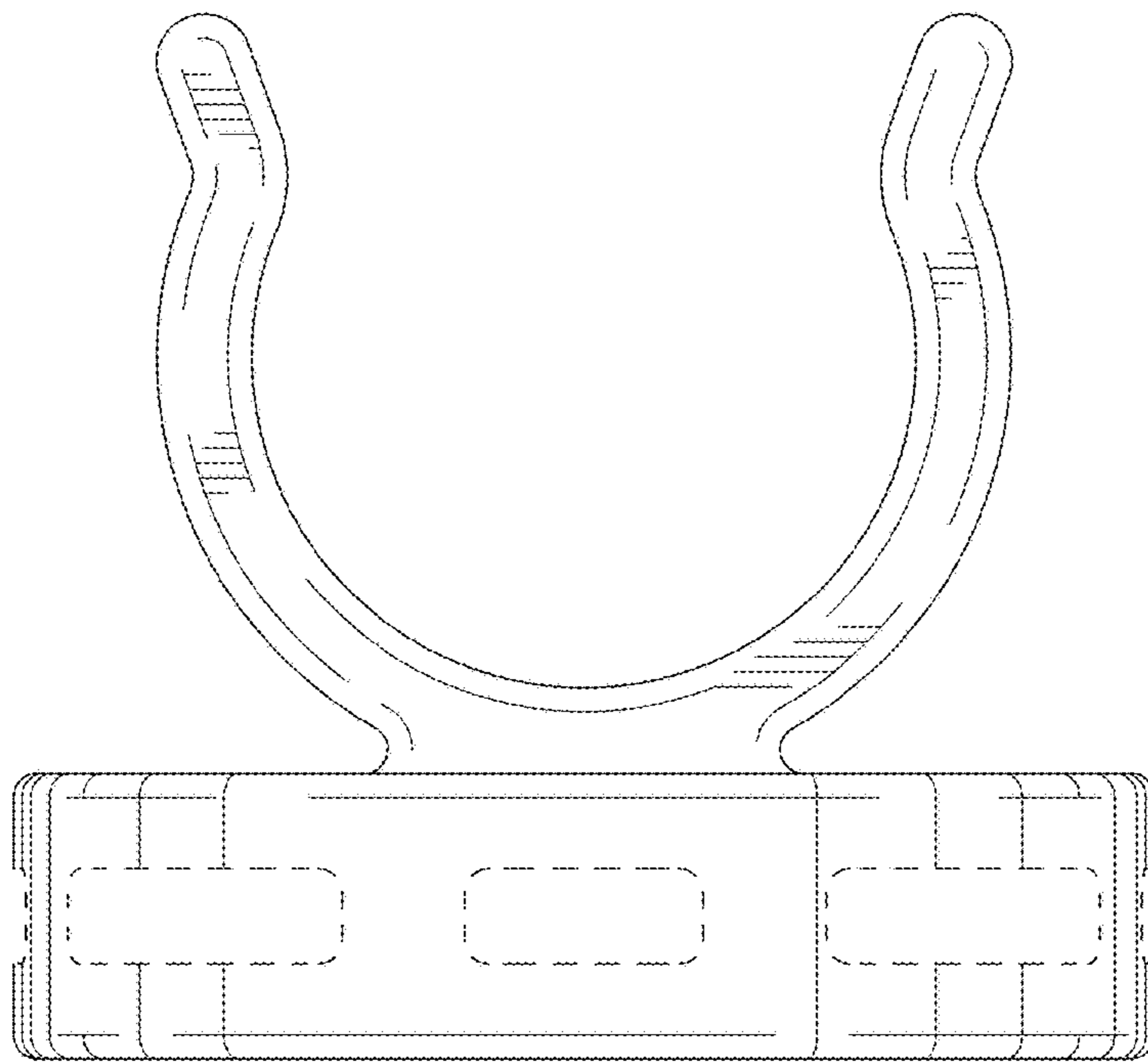


FIG. 2

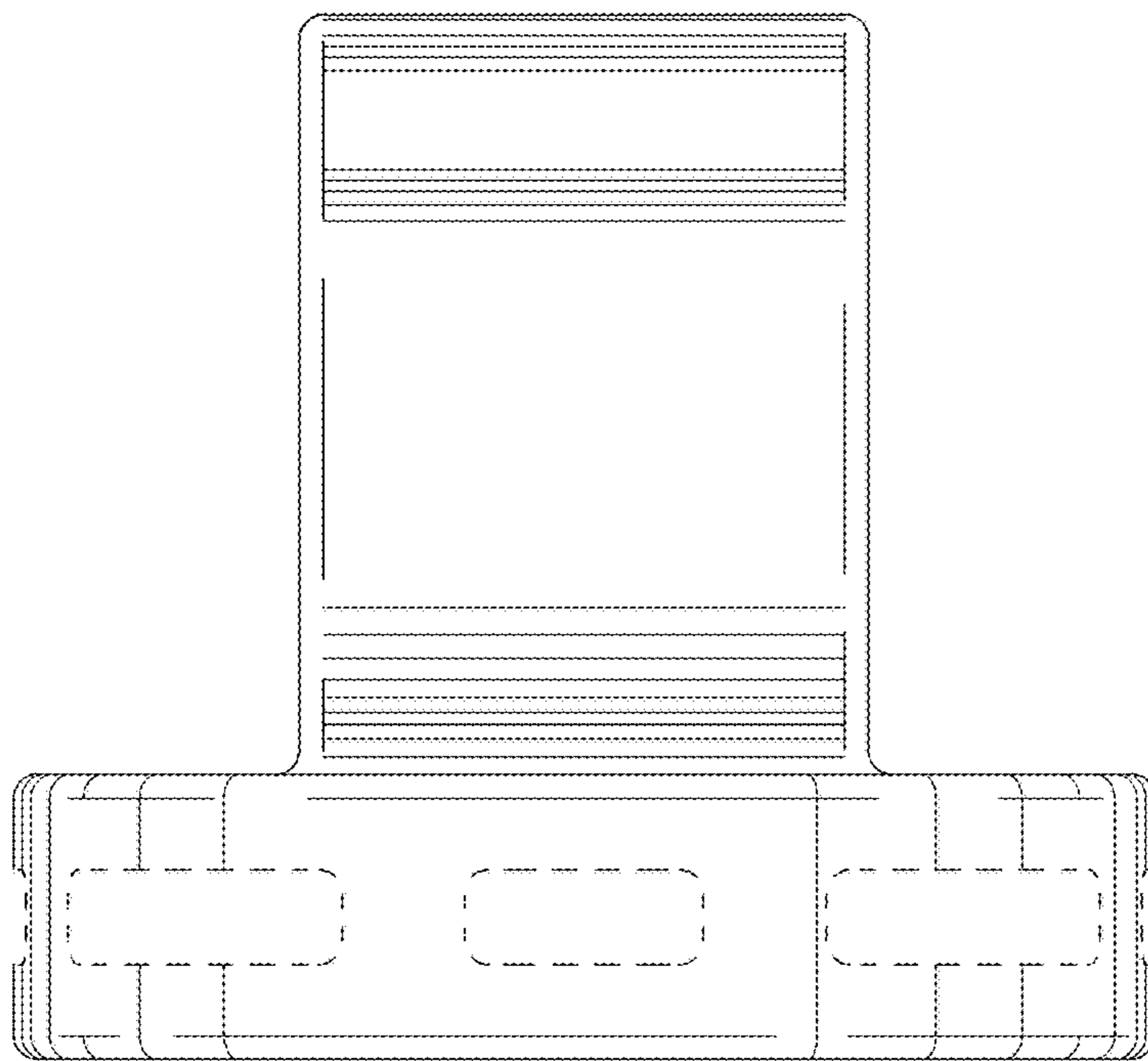


FIG. 3

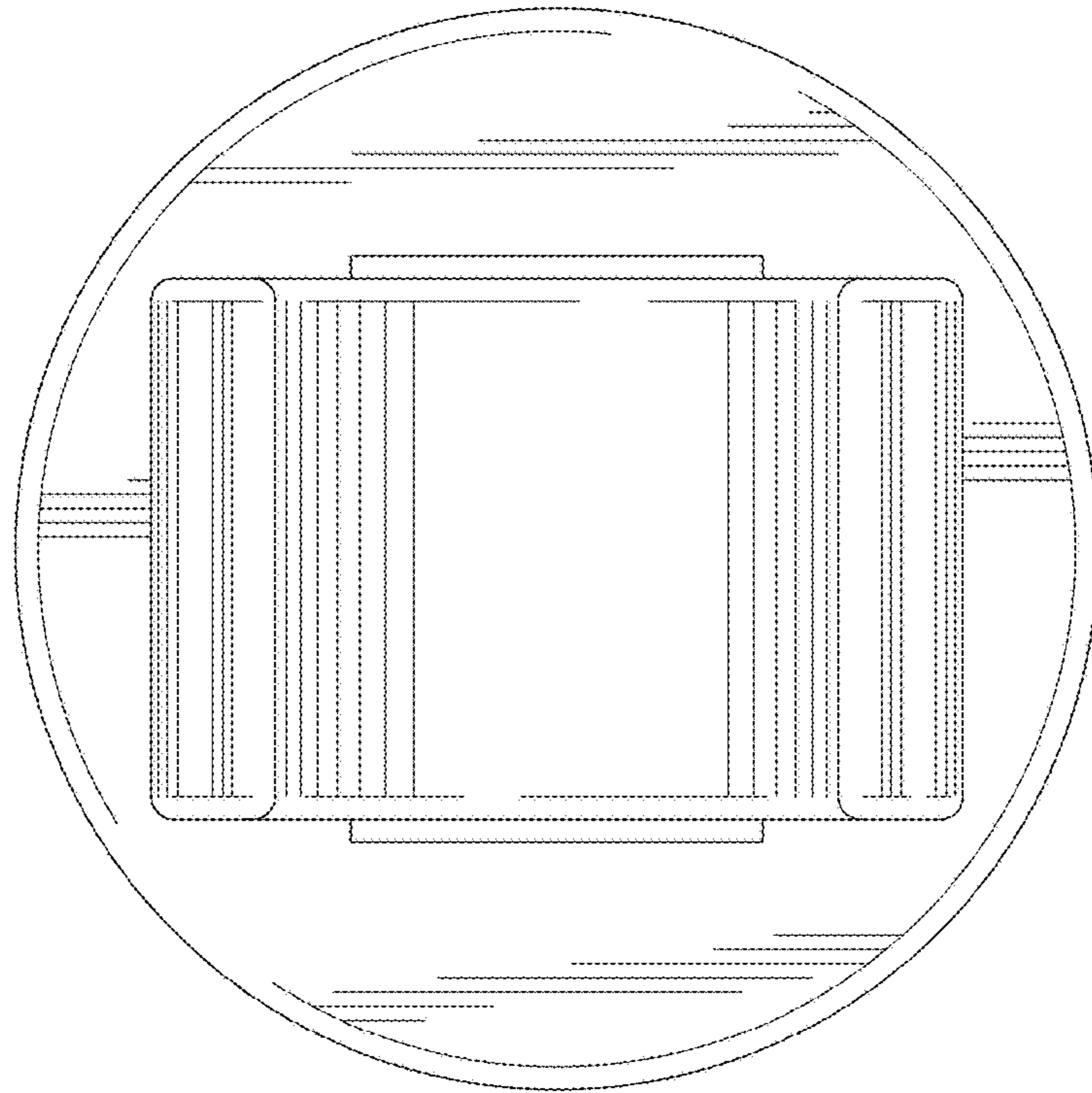


FIG. 4

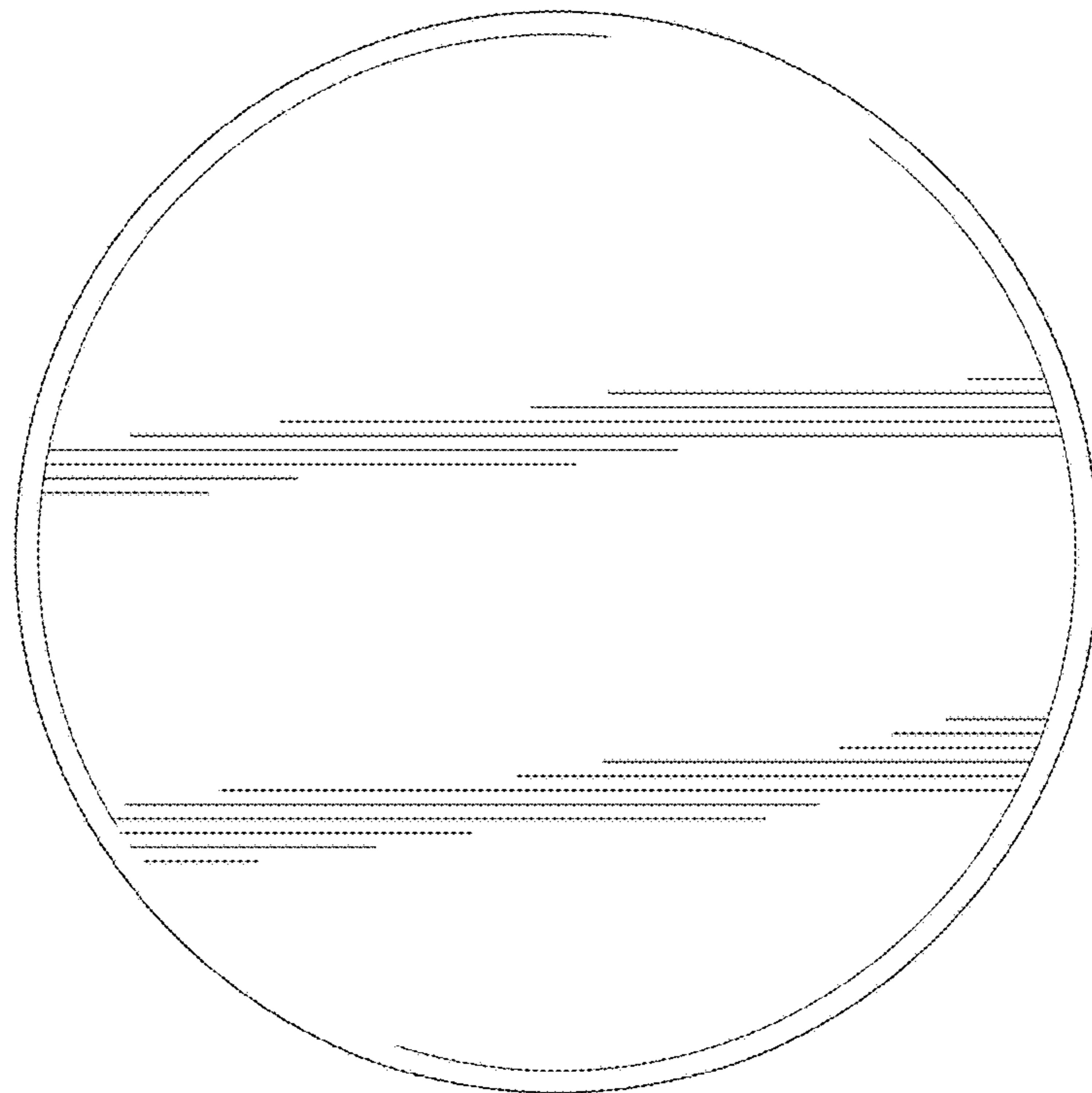


FIG. 5