



US00D836430S

(12) **United States Design Patent**
Tillitski

(10) **Patent No.:** **US D836,430 S**

(45) **Date of Patent:** **** Dec. 25, 2018**

- (54) **WIRE TERMINATION DEVICE**
- (71) Applicant: **Stephan W. Tillitski**, Cashiers, NC (US)
- (72) Inventor: **Stephan W. Tillitski**, Cashiers, NC (US)
- (**) Term: **15 Years**
- (21) Appl. No.: **29/600,715**
- (22) Filed: **Apr. 14, 2017**
- (51) **LOC (11) Cl.** **08-08**
- (52) **U.S. Cl.**
USPC **D8/383**
- (58) **Field of Classification Search**
USPC D8/382, 383, 354, 356
CPC F16G 11/06; F16G 11/048; F16G 11/05;
Y10T 24/3958; Y10T 24/3973
See application file for complete search history.

(56) **References Cited**

U.S. PATENT DOCUMENTS

- 1,258,580 A * 3/1918 Lassiter F16B 7/025
24/136 R
- 1,321,660 A * 11/1919 Moriarty F16G 11/06
24/129 A
- 1,507,316 A * 9/1924 Kemper F16G 11/048
24/136 R
- 1,854,140 A * 4/1932 Hopkins F16G 11/048
24/136 R
- 1,920,970 A * 8/1933 Chevalier F16G 11/046
24/115 R
- 2,234,028 A * 3/1941 Turzicky F16G 11/048
24/136 R
- 2,476,731 A * 7/1949 Hobbs, Jr. F16G 11/02
140/111
- 3,776,586 A * 12/1973 Ahlgren F16G 11/106
24/136 R
- 3,865,461 A * 2/1975 Ludwig H01R 13/582
174/135

- 3,952,377 A * 4/1976 Morell E04C 5/122
24/136 R
- 4,455,717 A * 6/1984 Gray F16G 11/14
24/115 M
- 5,338,222 A * 8/1994 Boteler H01R 13/5837
439/459
- 5,383,905 A * 1/1995 Golds A61B 17/0487
24/136 L
- D434,968 S * 12/2000 Fortier D8/354
- 6,322,281 B1 * 11/2001 Jungwirth D07B 1/144
403/278
- D466,433 S * 12/2002 Goto D11/87
- 7,360,342 B2 * 4/2008 Hayes E04C 5/122
52/223.13
- D620,346 S * 7/2010 Gretz D8/396
- D620,786 S * 8/2010 Gretz D8/396
- D633,782 S * 3/2011 Tompkins D8/382

(Continued)

Primary Examiner — Sandra S Snapp

Assistant Examiner — Ieisha N Price

(74) *Attorney, Agent, or Firm* — Walter A. Rodgers

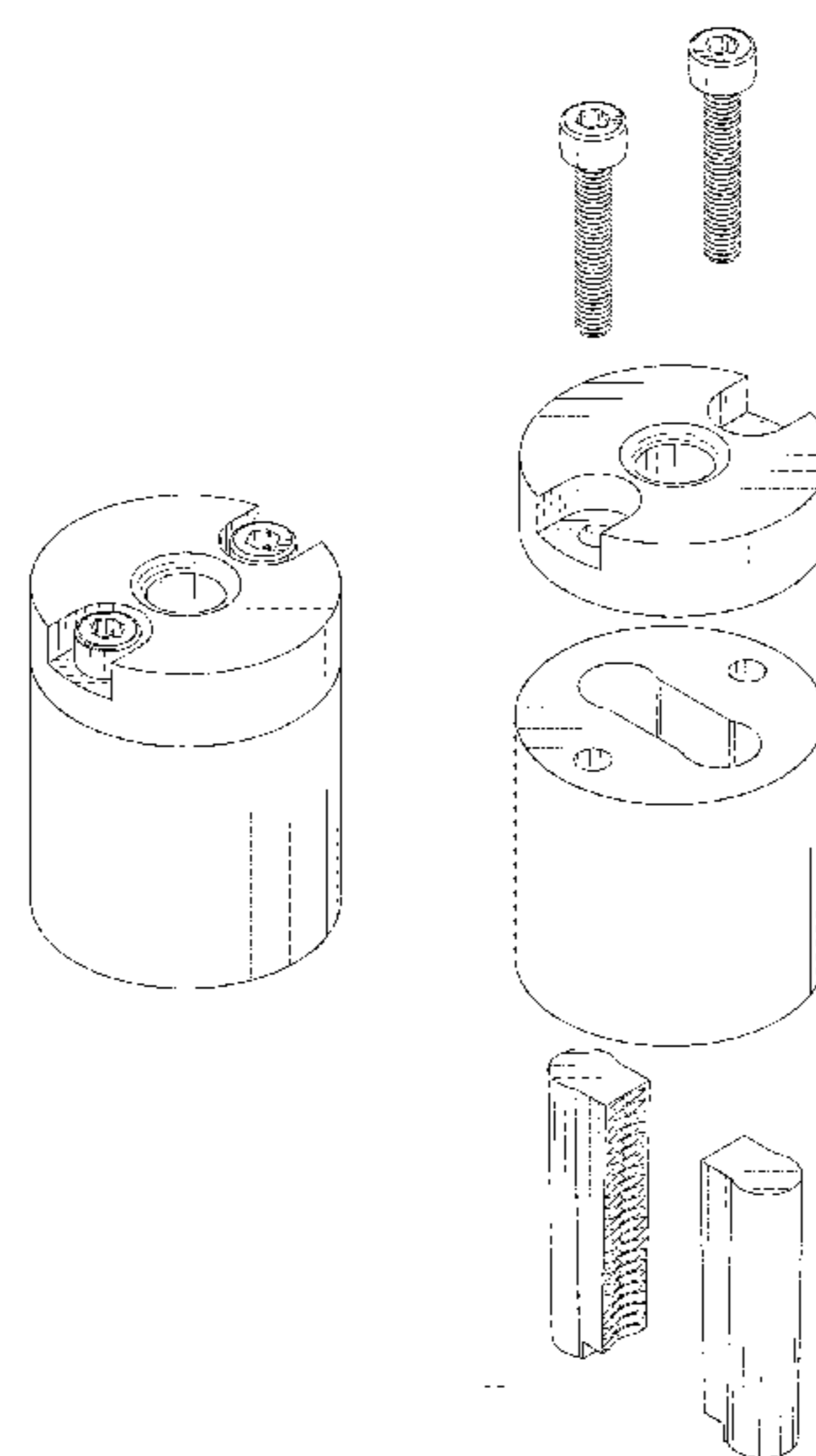
(57) **CLAIM**

The ornamental design for a wire termination device, as shown and described.

DESCRIPTION

FIG. 1 is a perspective view of a wire termination device showing my new design;
 FIG. 2 is a top plan view thereof;
 FIG. 3 is a bottom plan view thereof;
 FIG. 4 is a left-side elevational view thereof, the right side being the same in appearance;
 FIG. 5 is a front elevational view thereof, the rear being the same in appearance;
 FIG. 6 is a top exploded perspective view of the wire termination device shown in FIG. 1; and,
 FIG. 7 is a bottom exploded perspective view of the wire termination device thereof.

1 Claim, 3 Drawing Sheets



(56)

References Cited

U.S. PATENT DOCUMENTS

7,984,542 B1 * 7/2011 Tillitski F16G 11/05
29/525.02
8,225,463 B2 * 7/2012 Bourke F16G 11/101
24/115 H
D745,380 S * 12/2015 Williams D8/394
D759,467 S * 6/2016 Franta D8/356
2003/0115723 A1 * 6/2003 Shuey F16G 11/106
24/136 R
2004/0195556 A1 * 10/2004 Facey A01K 3/005
256/10

* cited by examiner

Fig 1

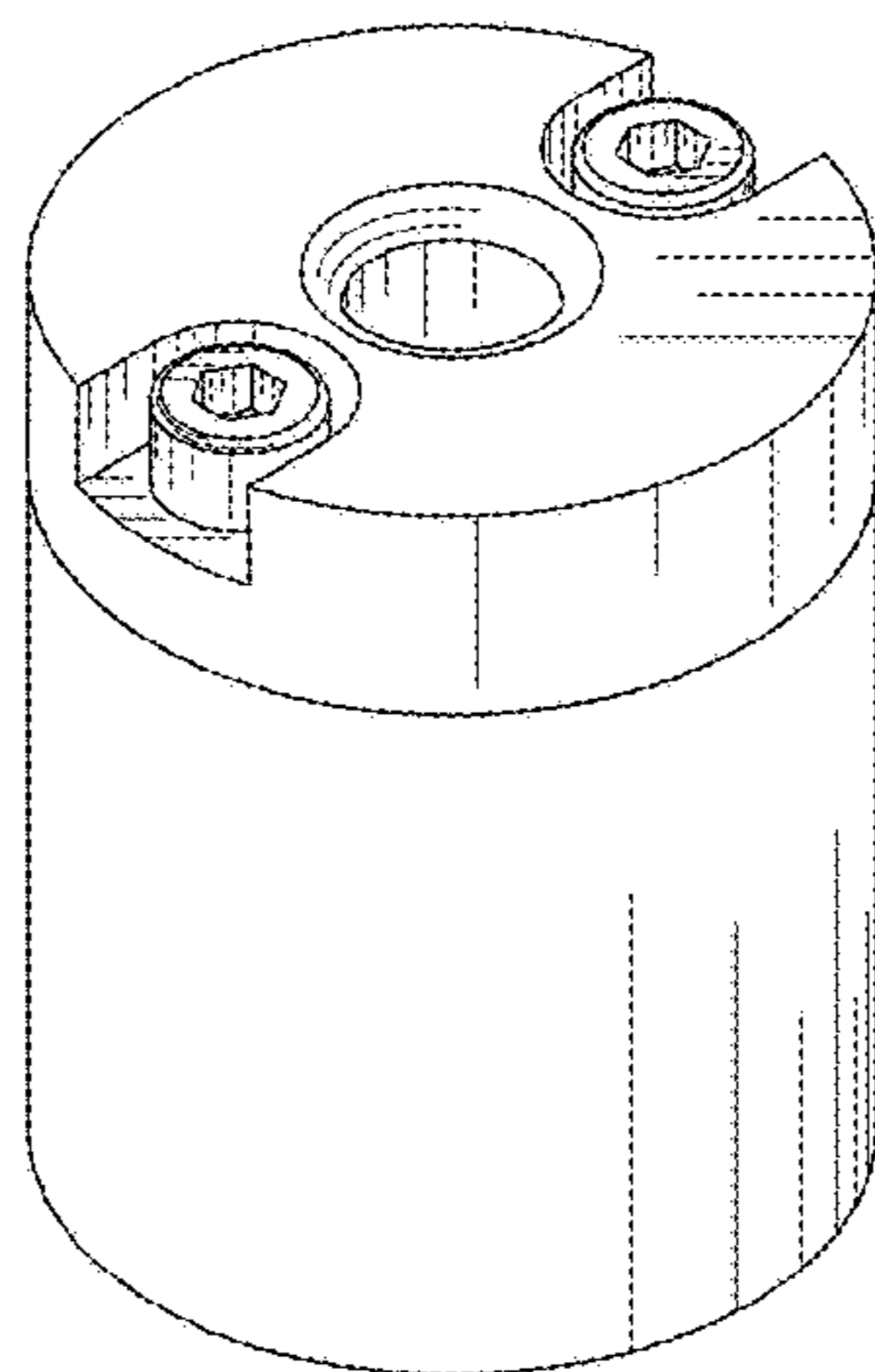


Fig 2

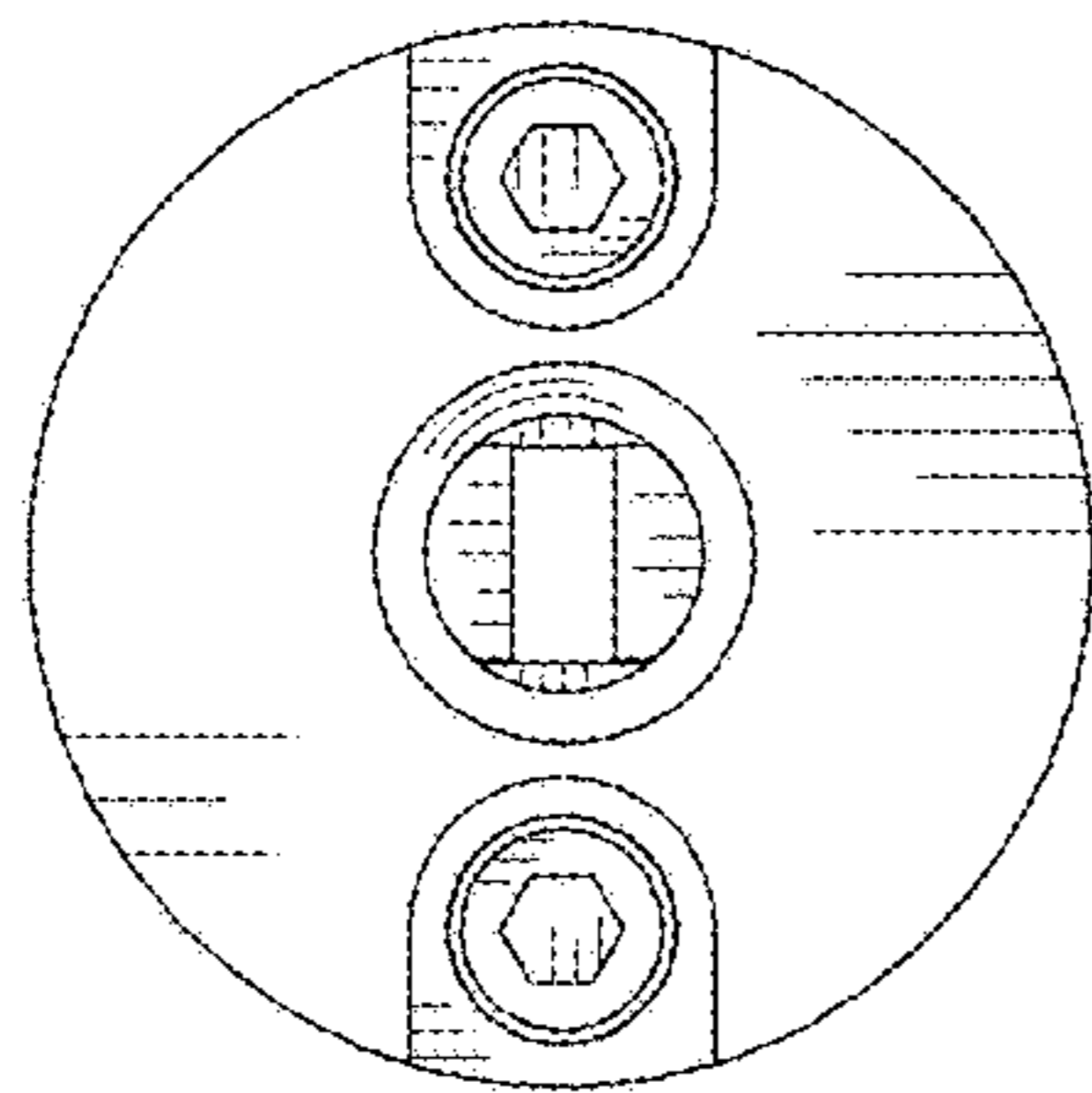


Fig 3

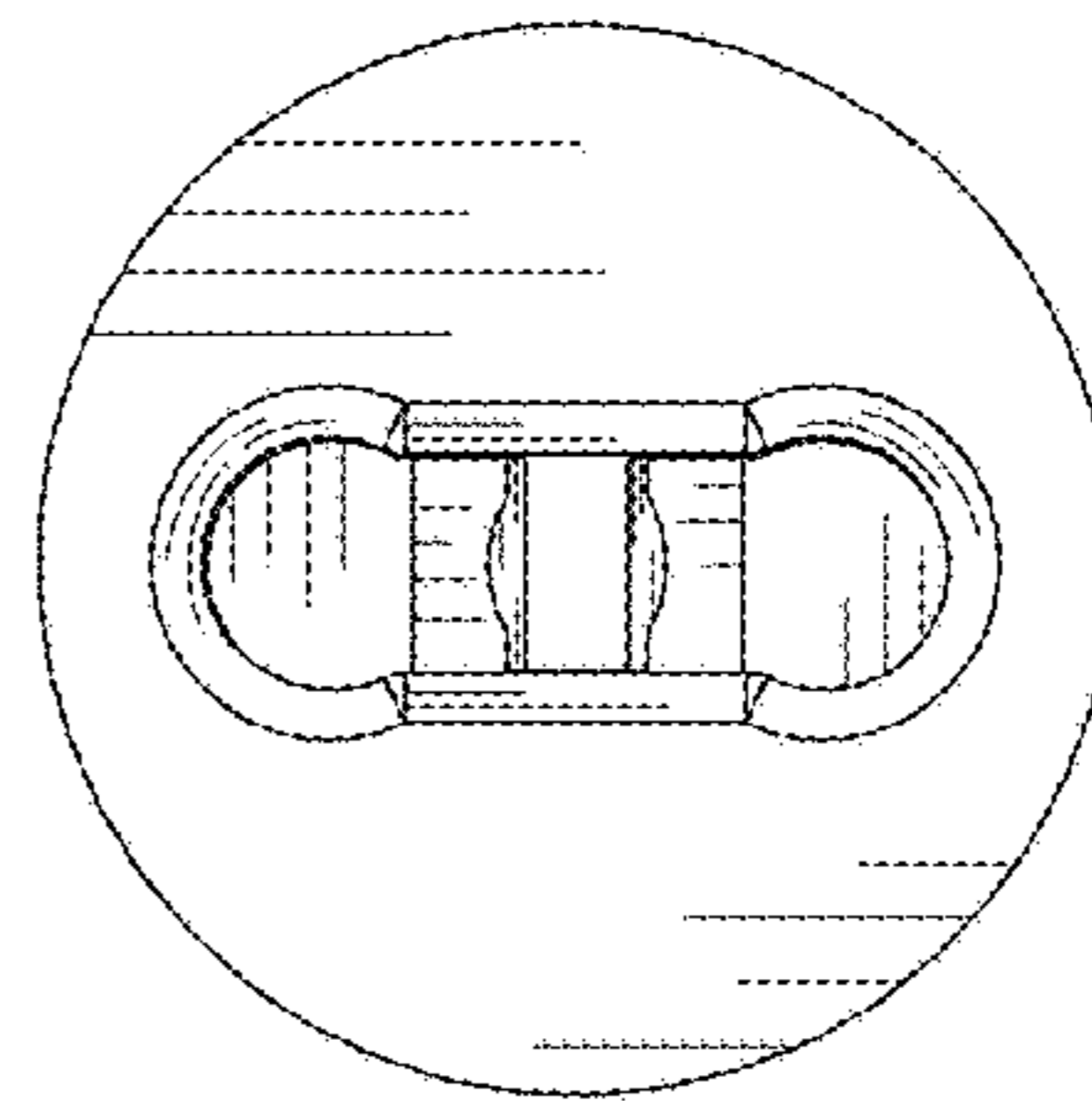


Fig 4

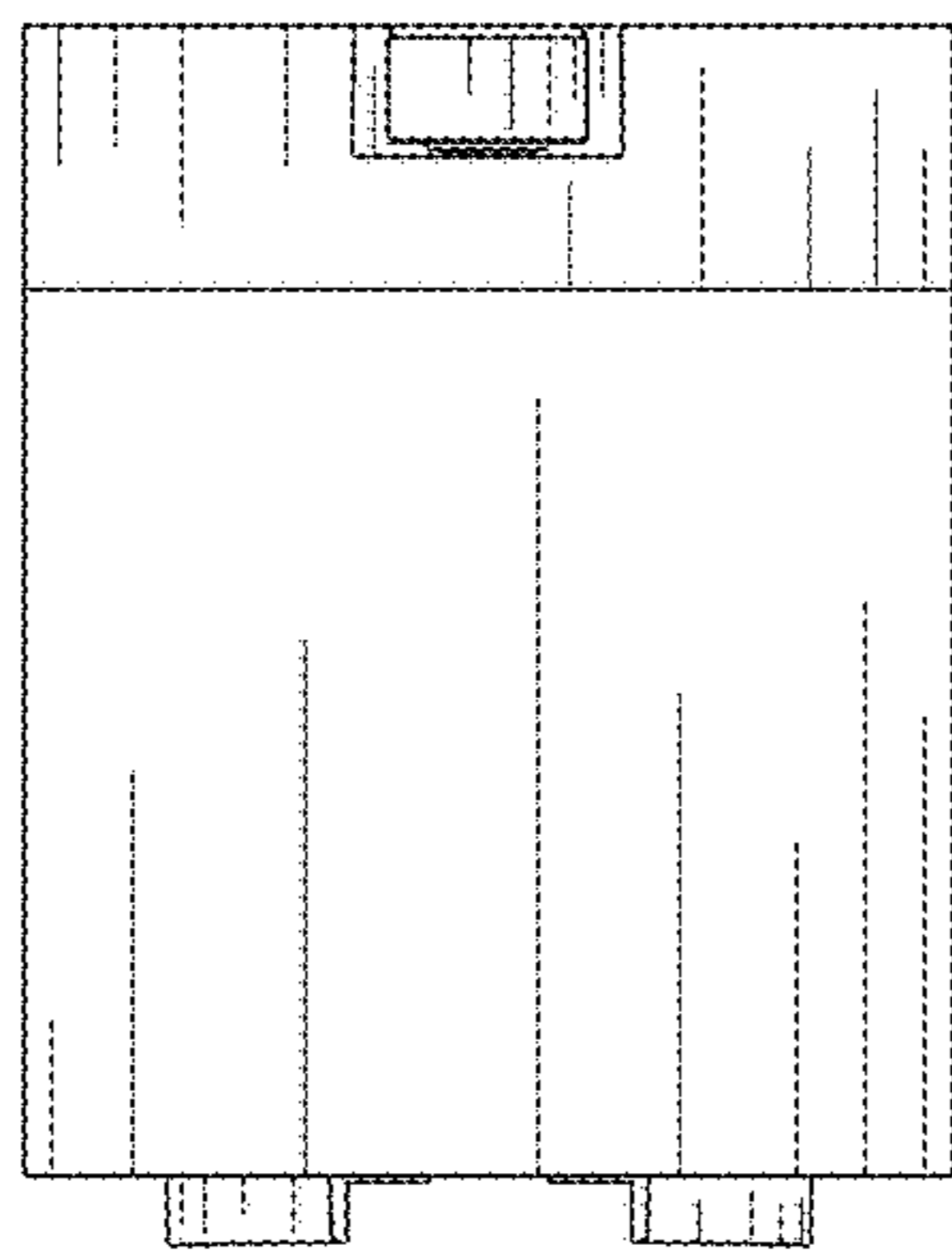


Fig 5

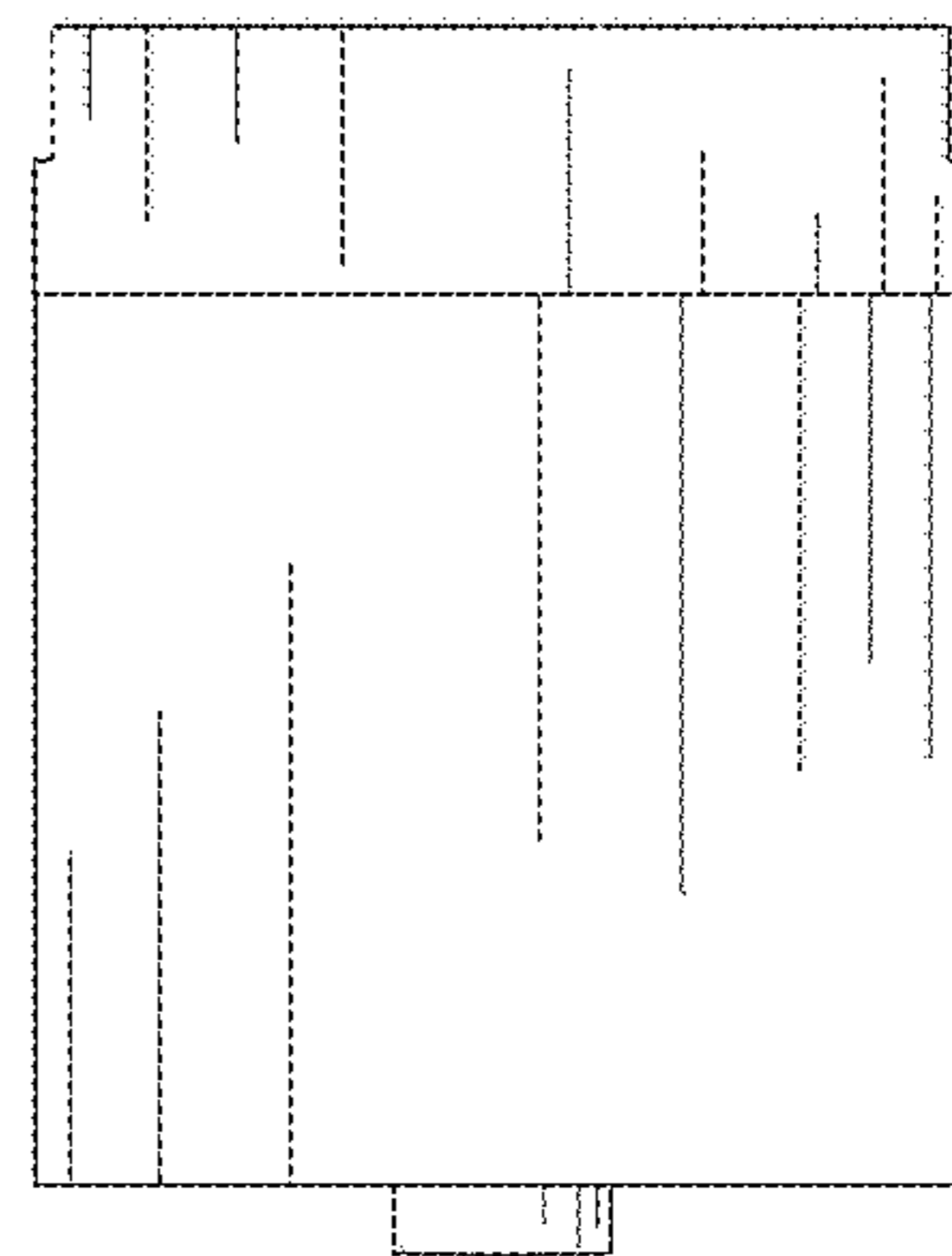


Fig 6

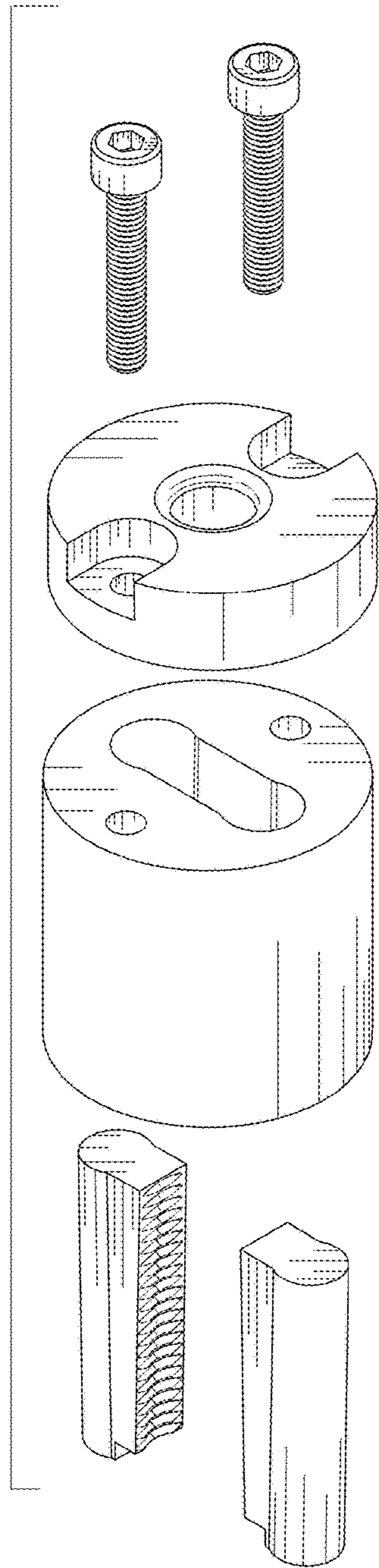


Fig 7

