



US00D836429S

(12) **United States Design Patent**
Kozminske

(10) **Patent No.:** **US D836,429 S**
(45) **Date of Patent:** **** Dec. 25, 2018**

- (54) **UTILITY STRAP WITH RIBS** 4,898,542 A * 2/1990 Jones, Jr. H01R 13/6392
385/136
- (71) Applicant: **Dera Industries, LLC**, Ann Arbor, MI 6,235,987 B1 * 5/2001 Gamaggio-Schafer
(US) B65D 63/1036
174/138 G
- (72) Inventor: **Gary Louis Kozminske**, Mattawan, MI D488,374 S * 4/2004 Hussaini D8/396
(US) D729,054 S * 5/2015 Chen D8/356
D751,888 S * 3/2016 Sakamoto D8/383
D769,704 S * 10/2016 Nitta D8/387
D778,148 S * 2/2017 Iwahara D8/383
- (73) Assignee: **Dera Industries, LLC**, Midland, MI 2014/0196257 A1 * 7/2014 Entwistle F16B 2/08
(US) 24/16 R
- (**) Term: **15 Years** 2017/0050786 A1 * 2/2017 Kozminkse B65D 63/1027
- (21) Appl. No.: **29/590,362**
- (22) Filed: **Jan. 10, 2017**

* cited by examiner

Primary Examiner — Sandra S Snapp

Assistant Examiner — Ieisha N Price

(74) *Attorney, Agent, or Firm* — Erik Chmelar

Related U.S. Application Data

- (63) Continuation of application No. 14/833,095, filed on Aug. 23, 2015, now Pat. No. 9,630,758.
- (51) **LOC (11) Cl.** **08-08**
- (52) **U.S. Cl.**
USPC **D8/383**
- (58) **Field of Classification Search**
USPC D8/383, 356, 382, 394, 396, 499
CPC B65D 63/00; B65D 63/1072; B65D
63/1063; B65D 63/1081; B65D 63/1045;
B65D 2563/103; F16B 2/26; F16L
3/2332; F16L 3/2334; F16L 3/2338;
Y10T 24/1498; Y10T 24/14; Y10T
24/141; Y10T 24/15; Y10T 24/153
See application file for complete search history.

(57) **CLAIM**

The ornamental design for a utility strap with ribs, as shown and described.

DESCRIPTION

FIG. 1 is a perspective view of a utility strap with ribs; FIG. 2 is an enlarged view of the utility strap with ribs taken from indication circle 2 of FIG. 1; FIG. 3 is a top view of the utility strap with ribs; FIG. 4 is an enlarged view of the utility strap with ribs taken from indication circle 4 of FIG. 3; FIG. 5 is a side view of the utility strap with ribs; FIG. 6 is an enlarged view of the utility strap with ribs taken from indication circle 6 of FIG. 5; FIG. 7 is an enlarged rear view thereof; and, FIG. 8 is enlarged front view thereof.

The broken lines in the drawings illustrate portions of the utility strap with ribs and form no part of the claimed design. The dot-dot-dash broken lines shown in the drawings form no part of the claimed design.

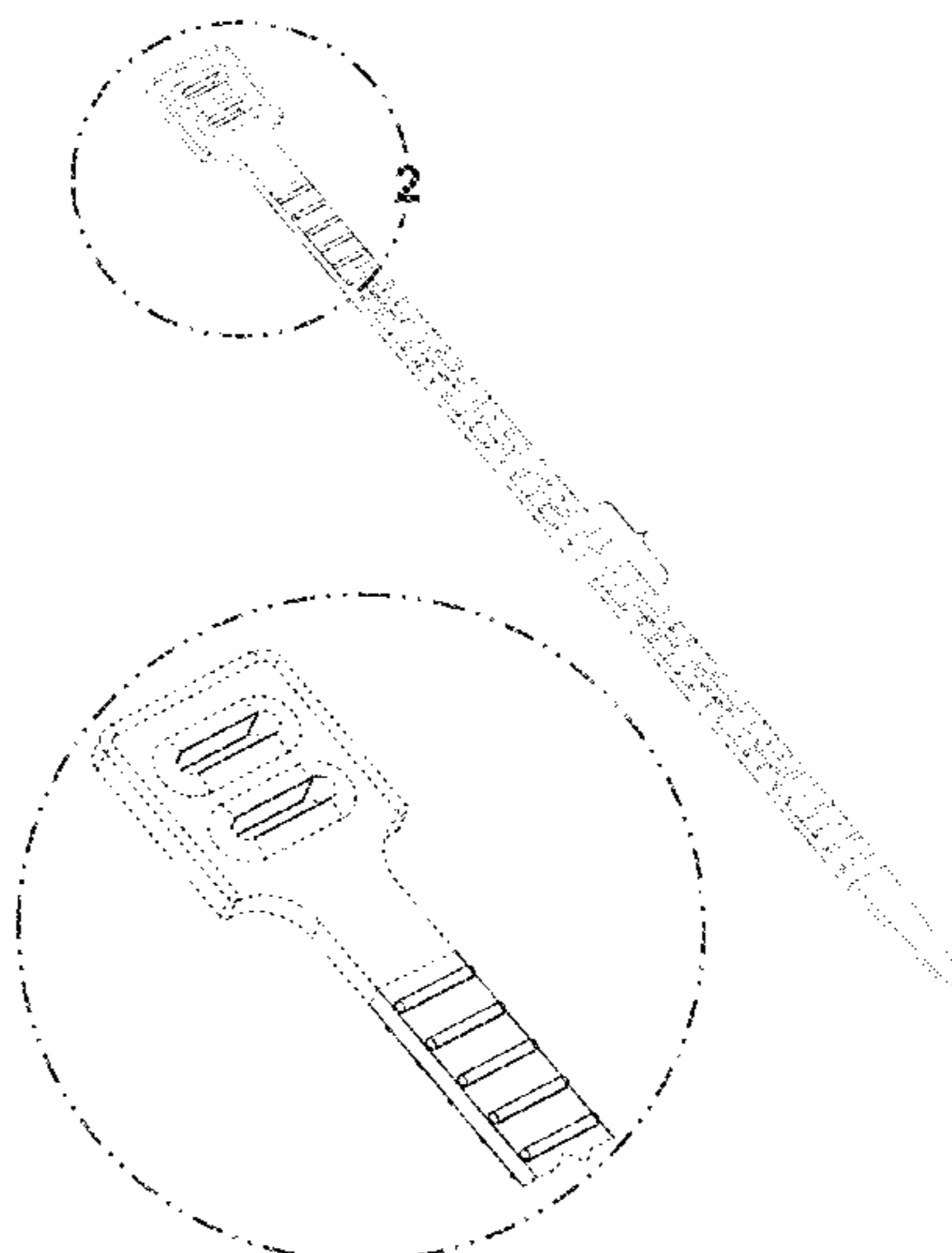
The portions shown between the break lines, shown in FIGS. 1-6, form no part of the claimed design.

1 Claim, 4 Drawing Sheets

(56) **References Cited**

U.S. PATENT DOCUMENTS

- 2,936,980 A * 5/1960 Rapata F16L 3/12
24/16 PB
- 3,147,523 A * 9/1964 Logan F16L 3/233
24/11 M
- 3,717,906 A * 2/1973 Wells B65D 63/1081
24/16 PB



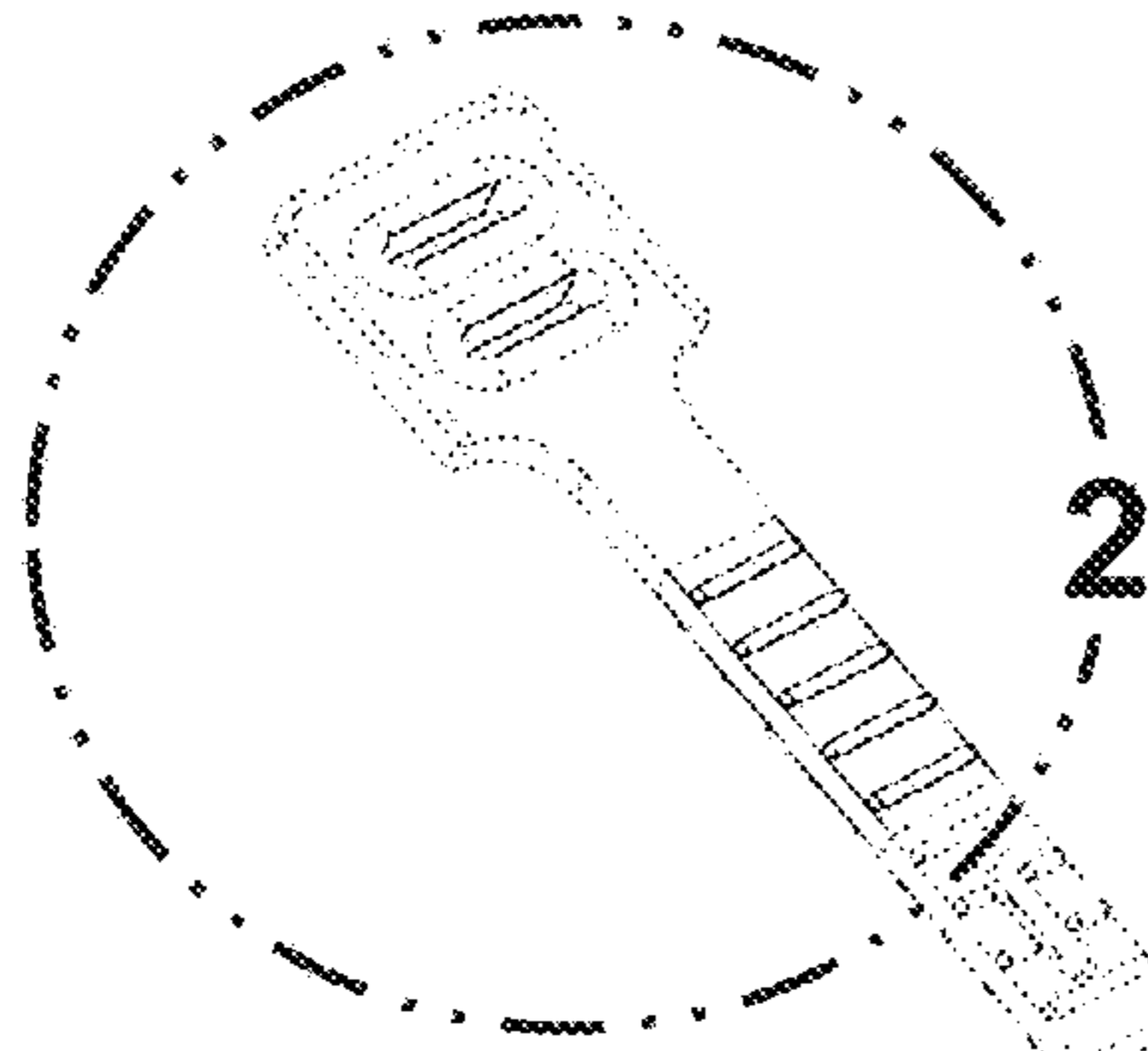


FIG. 1

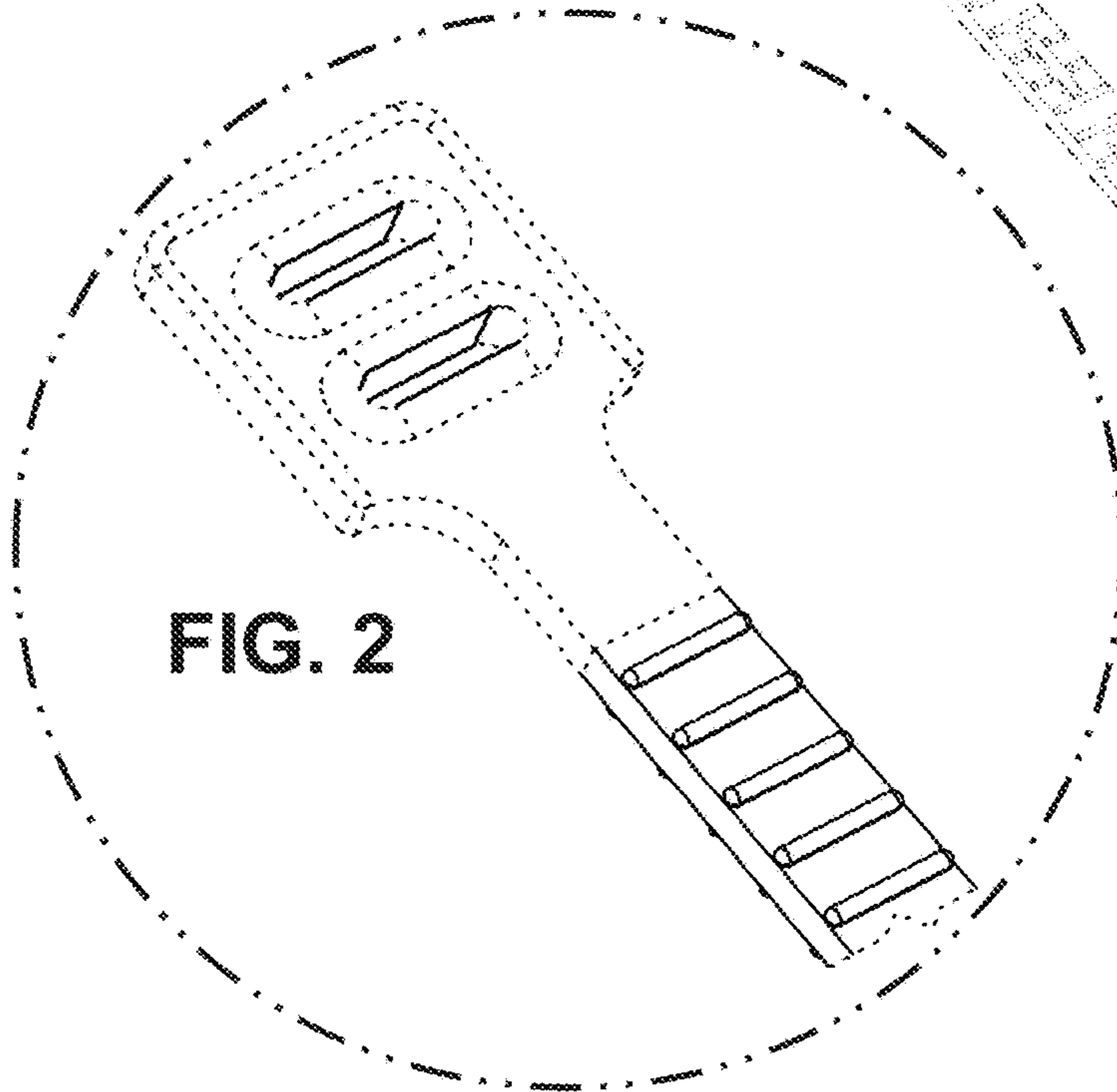


FIG. 2

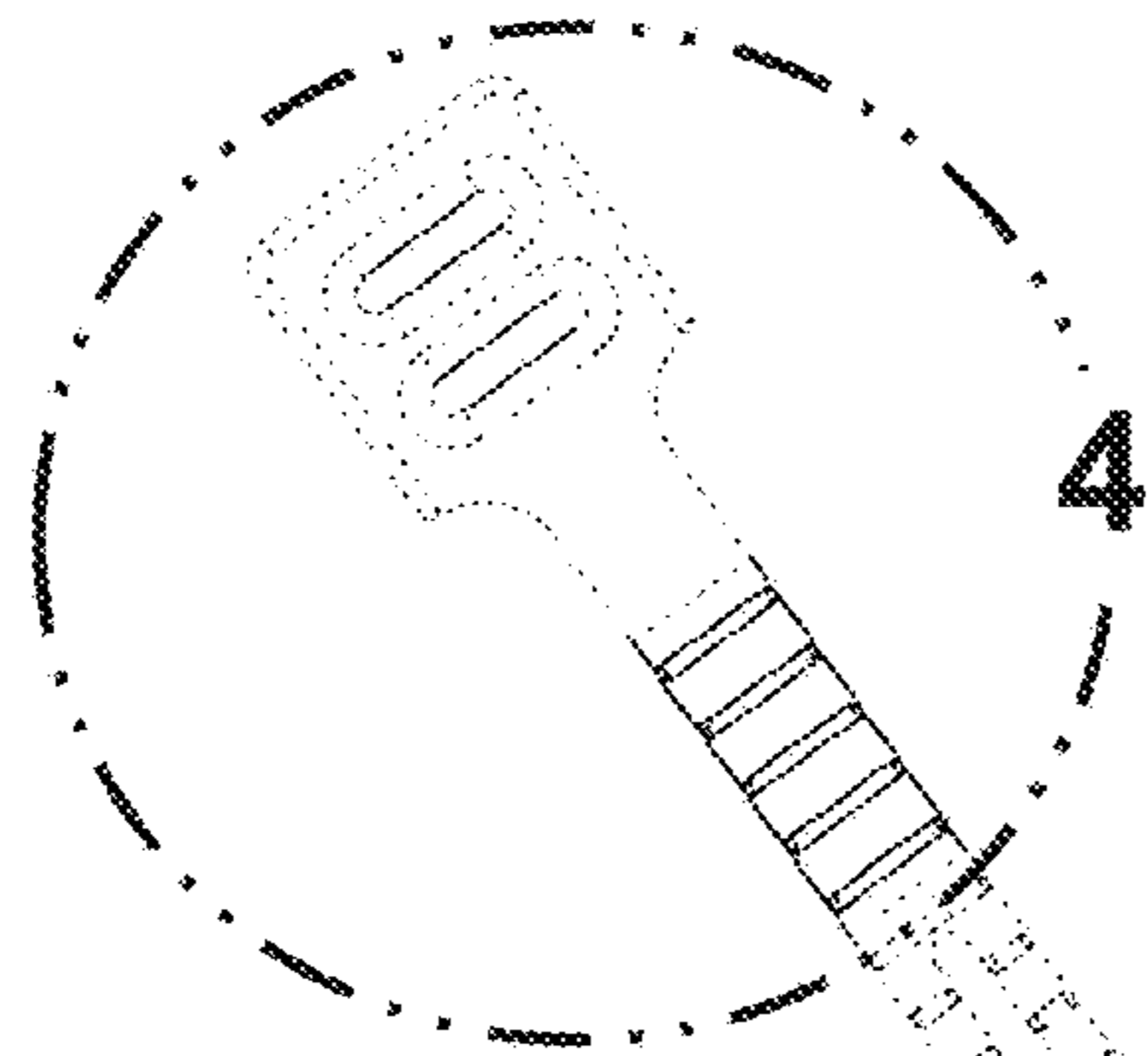


FIG. 3

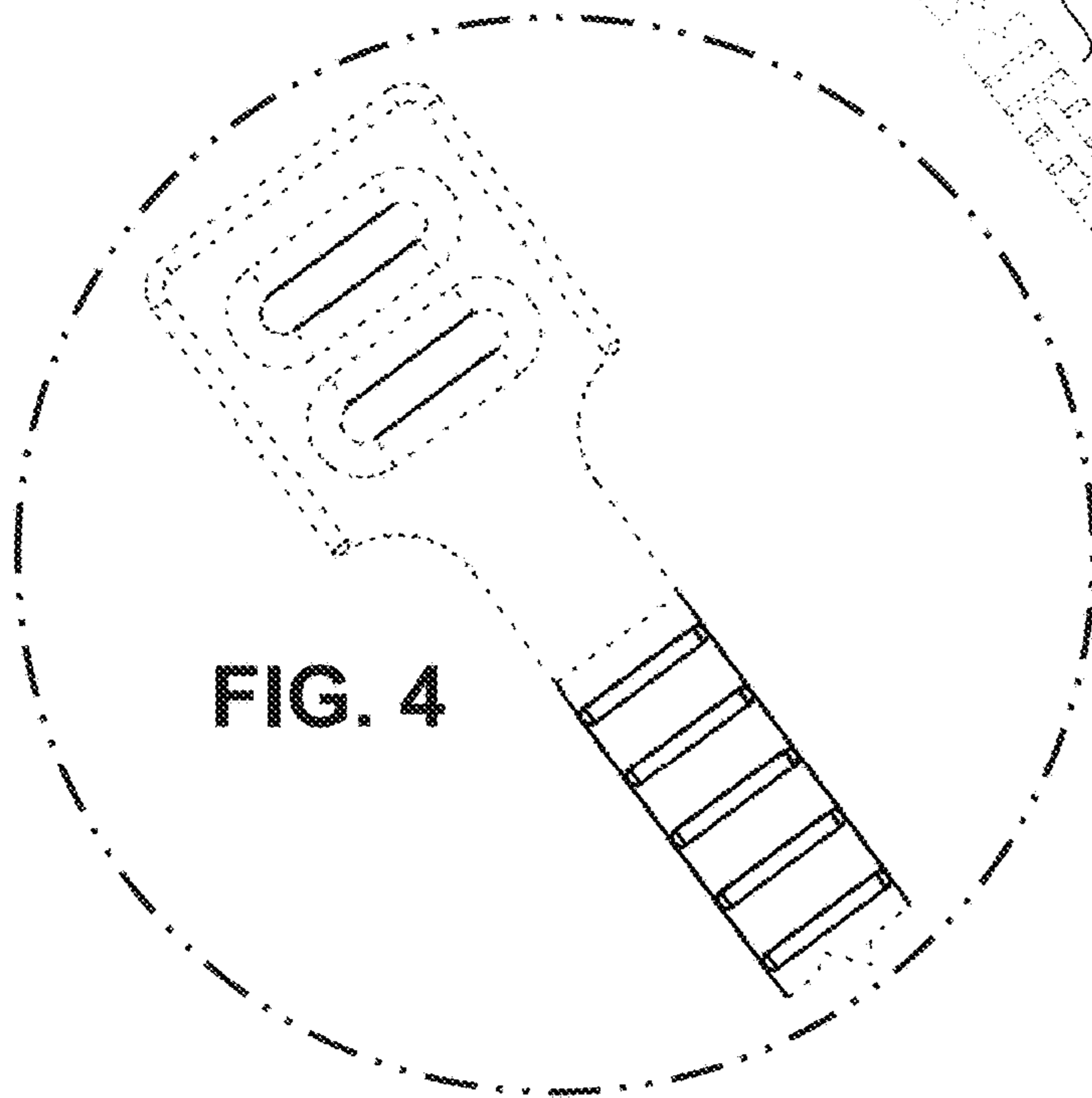


FIG. 4

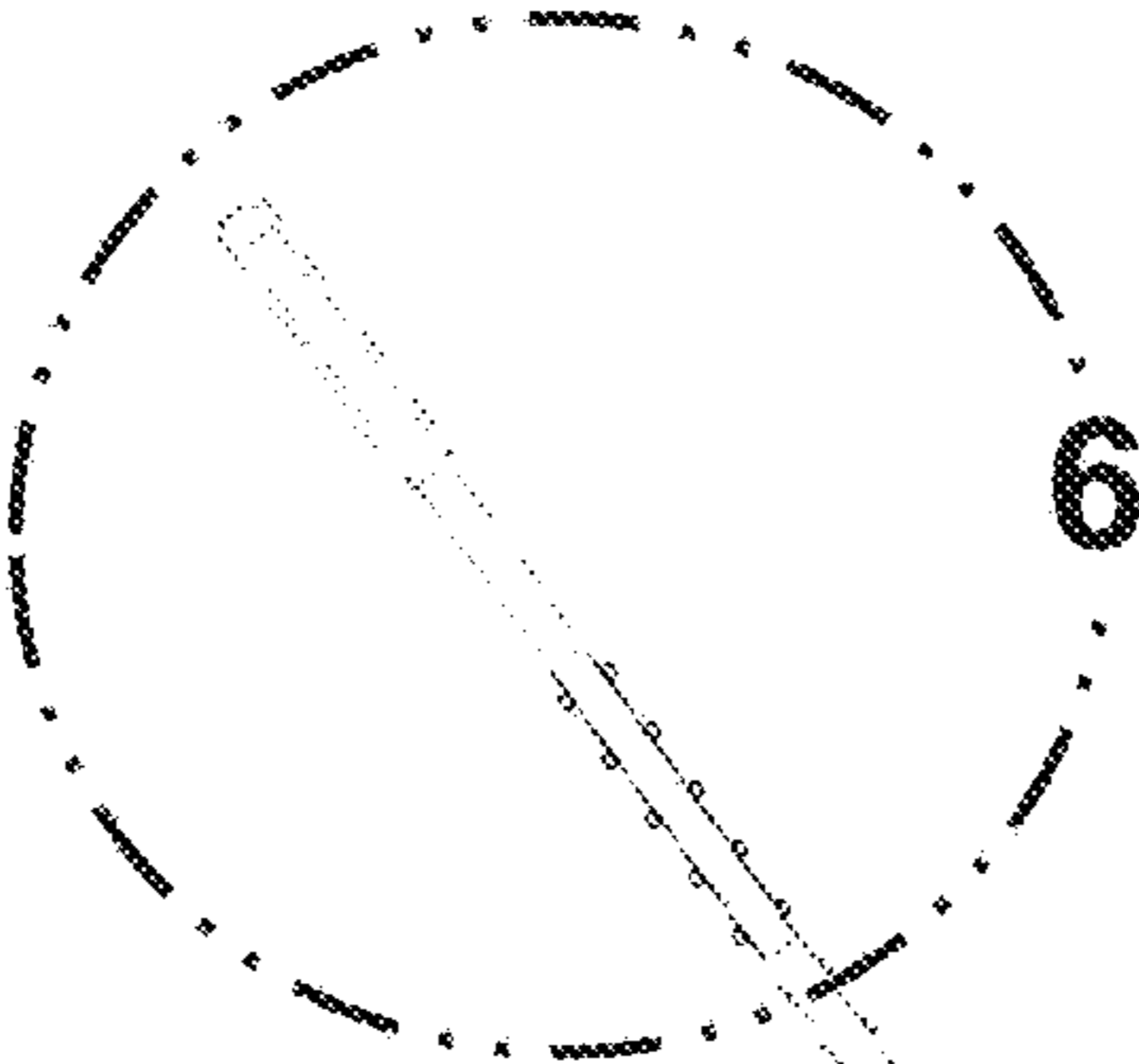


FIG. 5

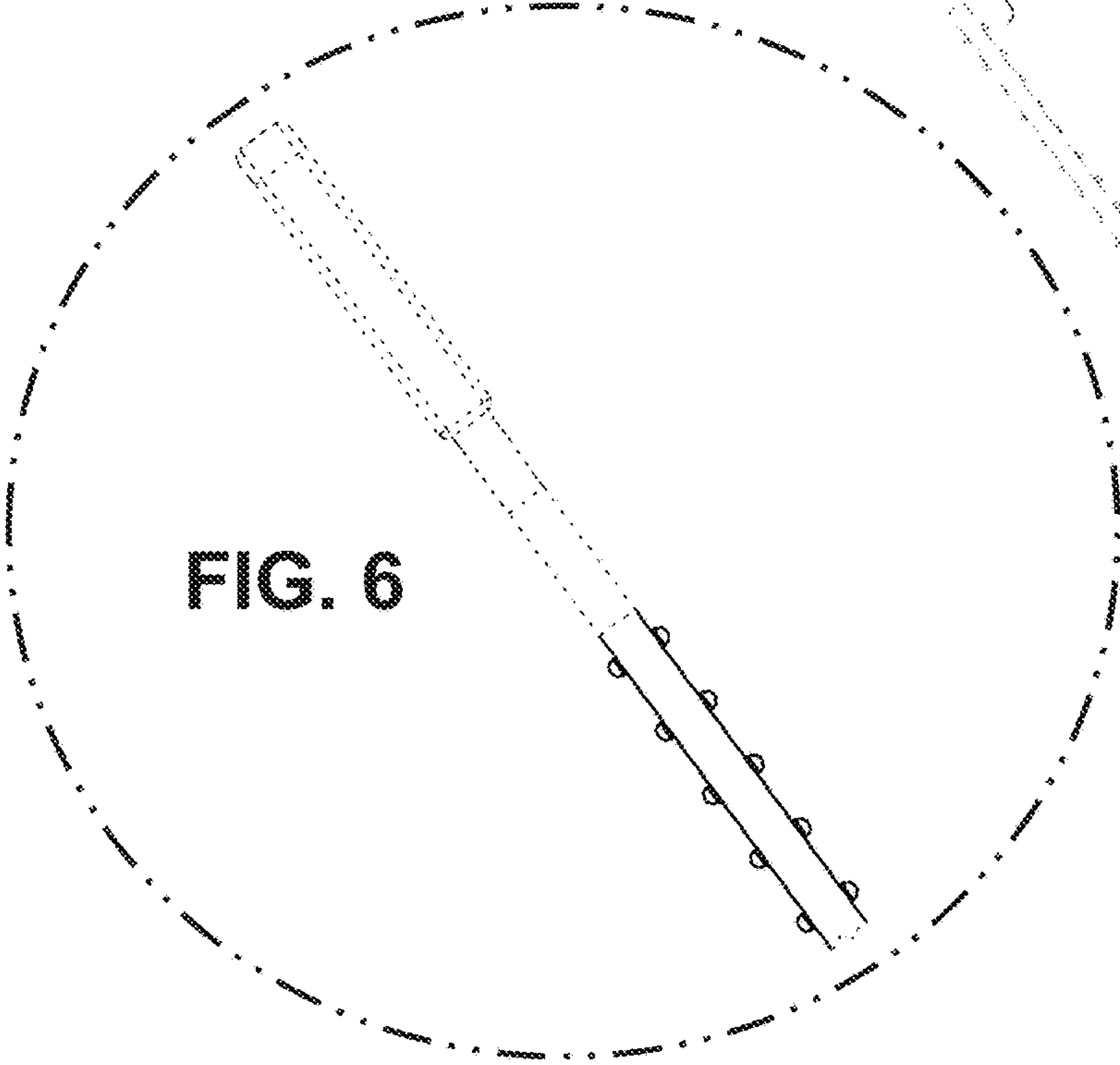


FIG. 6

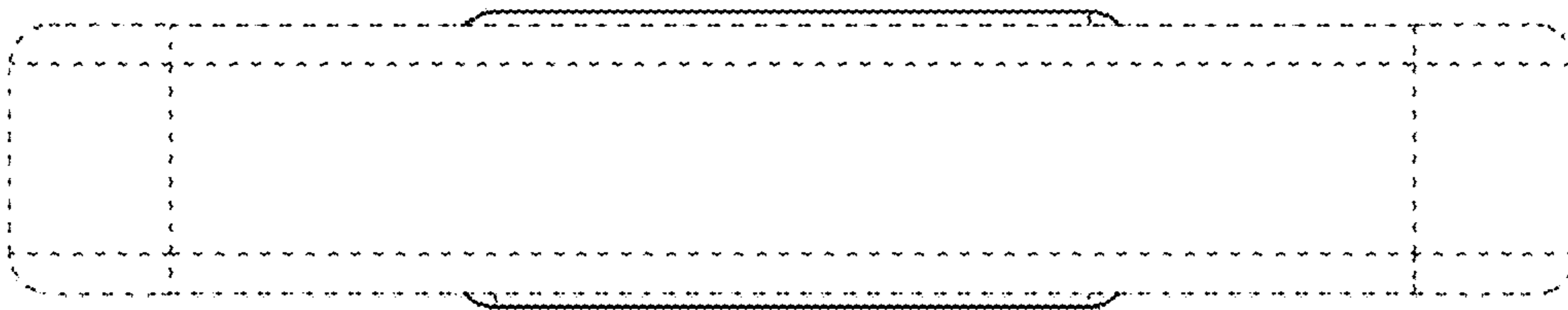


FIG. 7

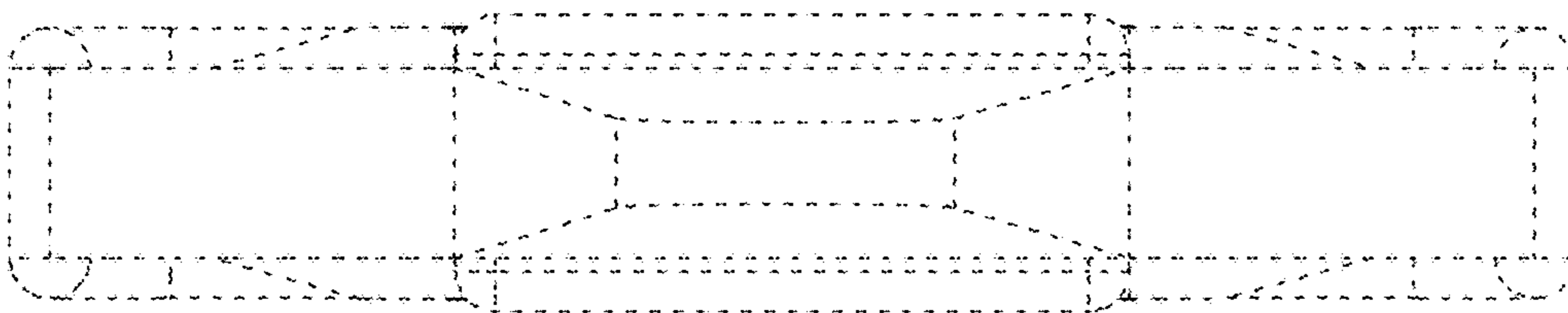


FIG. 8