



US00D836428S

(12) **United States Design Patent**
Pittman

(10) **Patent No.:** **US D836,428 S**

(45) **Date of Patent:** **** Dec. 25, 2018**

(54) **HANGER CLIP FOR STAIRWAY SPINDLES AND BALUSTERS**

(71) Applicant: **Craig Allen Pittman**, Bellevue, WA (US)

(72) Inventor: **Craig Allen Pittman**, Bellevue, WA (US)

(**) Term: **15 Years**

(21) Appl. No.: **29/620,911**

(22) Filed: **Aug. 18, 2017**

Related U.S. Application Data

(62) Division of application No. 29/620,058, filed on Jun. 10, 2016, now Pat. No. Des. 798,136.

(51) **LOC (11) Cl.** **08-08**

(52) **U.S. Cl.**
USPC **D8/382; D8/394**

(58) **Field of Classification Search**
USPC D8/14, 71, 72, 349, 354, 363, 373, 380, D8/382, 394, 396, 499; D25/62, 68
CPC E04F 11/1802; E04F 11/1804; E04F 2011/1806; E04F 11/1808; E04F 11/1812; E04F 11/1817; E04F 11/1836; E04H 17/24

See application file for complete search history.

(56) **References Cited**

U.S. PATENT DOCUMENTS

3,313,009 A * 4/1967 Beckerer F16L 3/13 248/74.2

3,540,687 A 11/1970 Cliva
(Continued)

Primary Examiner — Sandra S Snapp
Assistant Examiner — Ieisha N Price

(57) **CLAIM**

The ornamental design for a hanger clip for stairway spindles and balusters, as shown and described.

DESCRIPTION

FIG. 1 is a front, right perspective view of the first embodiment of a hanger clip for stairway spindles & balusters; FIG. 2 is a rear, right perspective view thereof; FIG. 3 is a top view thereof; FIG. 4 is a left side view thereof; FIG. 5 is a front view thereof; FIG. 6 is a right side view thereof; FIG. 7 is a bottom view thereof; FIG. 8 is a back view thereof;

FIG. 9 is an environmental front, right perspective view of the hanger clip for stairway spindles & balusters thereof; FIG. 10 is an alternate environmental front, right perspective view of the hanger clip for stairway spindles & balusters thereof;

FIG. 11 is a front, right perspective view of the second embodiment of a hanger clip for stairway spindles & balusters

FIG. 12 is a rear, right perspective view thereof;

FIG. 13 is a top view thereof;

FIG. 14 is a left side view thereof;

FIG. 15 is a front view thereof;

FIG. 16 is a right side view thereof;

FIG. 17 is a bottom view thereof;

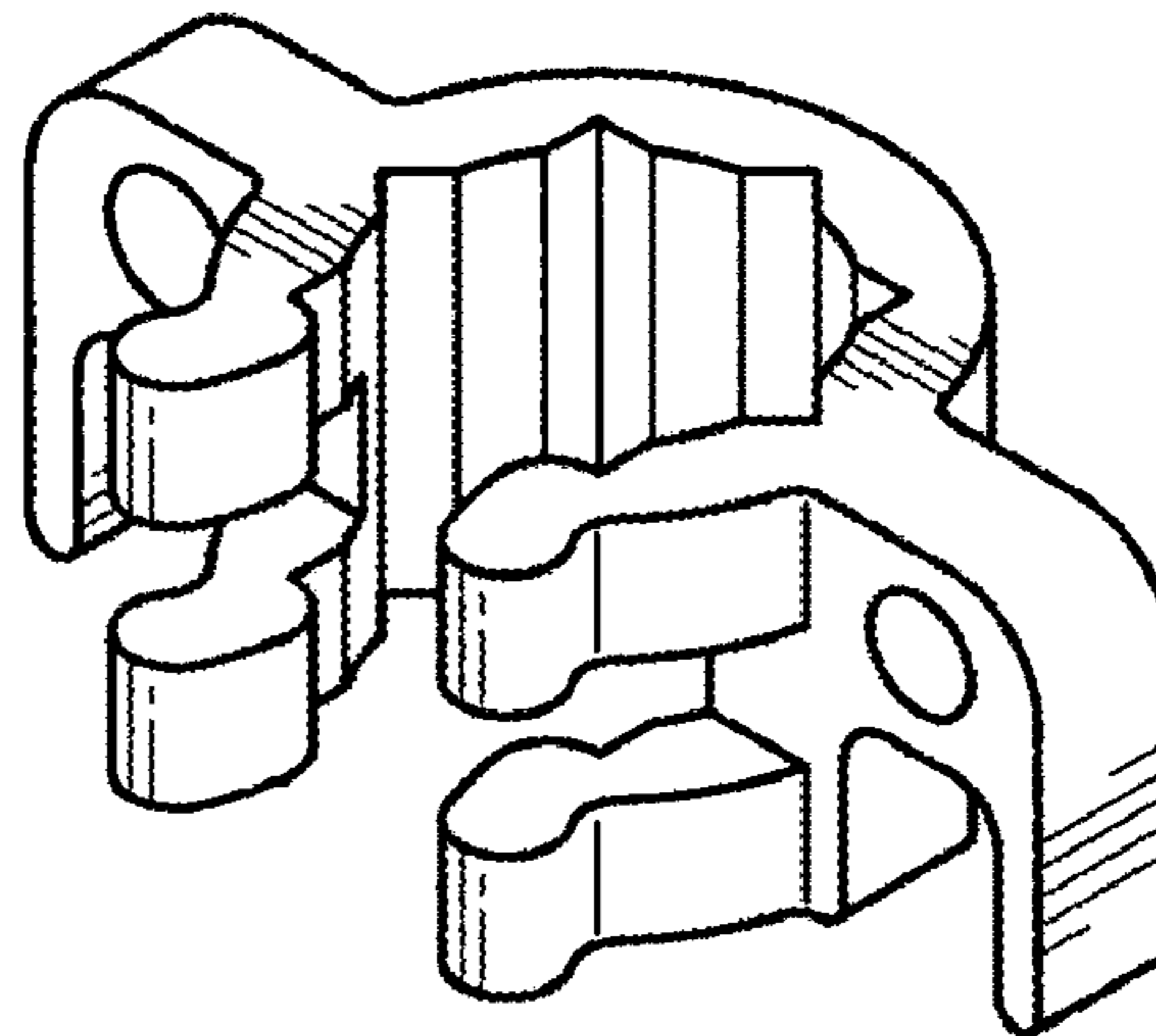
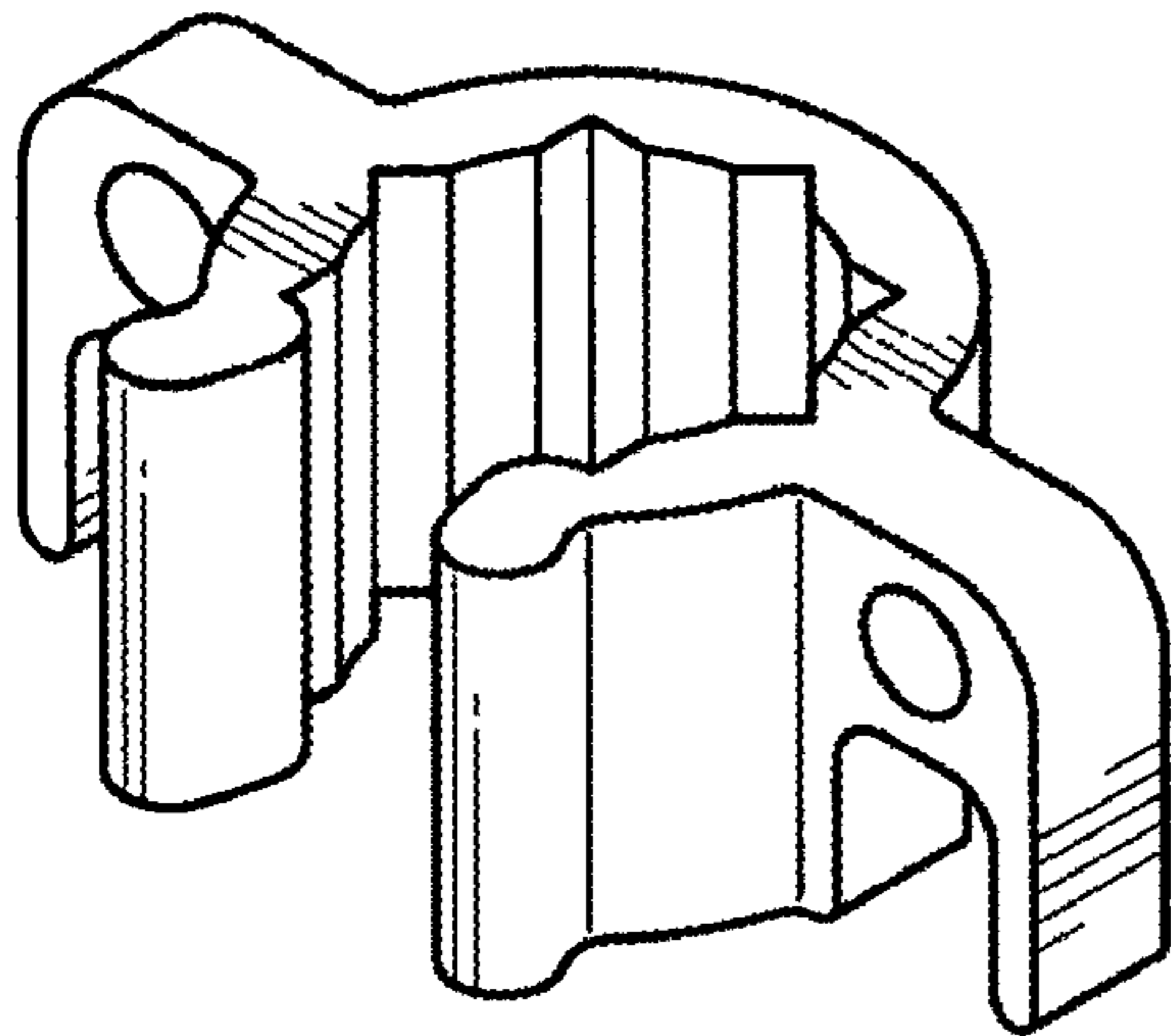
FIG. 18 is a back view thereof;

FIG. 19 is an environmental front, right perspective view of the hanger clip for stairway spindles & balusters thereof; and,

FIG. 20 is an alternate environmental front, right perspective view of the hanger clip for stairway spindles & balusters thereof.

The broken lines rendered in FIGS. 9, 10, 19 and 20 illustrate the environment of the claimed design and form no part thereof.

1 Claim, 6 Drawing Sheets



(56)

References Cited

U.S. PATENT DOCUMENTS

D224,085	S	7/1972	Cuva	
D227,742	S	7/1973	Logdson	
D248,347	S	7/1978	McCollum	
D264,682	S *	6/1982	Van Doren	D8/354
D295,723	S	5/1988	Shioda	
D299,213	S	1/1989	Puntillo	
5,160,105	A	11/1992	Miller	
D375,453	S	11/1996	Fleck	
D375,894	S *	11/1996	Ogawa	D8/396
D376,973	S *	12/1996	Brown	D8/395
D417,612	S *	12/1999	Jones	D26/138
D428,326	S *	7/2000	Nakamura	D8/356
D438,453	S	3/2001	Nelson	
D476,569	S	7/2003	Simkins	
D483,654	S *	12/2003	Taylor	D8/356
6,971,381	B2	12/2005	Langford	
7,721,396	B2 *	5/2010	Fleischman	A47C 1/14 24/303
D622,469	S	8/2010	Nacey	
D720,612	S	1/2015	Gilbert	
D729,542	S *	5/2015	Dontfraid	D6/534
D759,474	S *	6/2016	Pittman	D8/395
D766,711	S	9/2016	Babbage	
D784,118	S	4/2017	Reddy	
9,643,636	B2 *	5/2017	Parnell	B62B 5/00
D791,558	S *	7/2017	Carpio	D8/1
D793,646	S *	8/2017	Bacallao	D34/27
D796,946	S *	9/2017	Pittman	D8/395
D798,136	S *	9/2017	Pittman	D8/382
D808,255	S *	1/2018	Pittman	D8/396

* cited by examiner

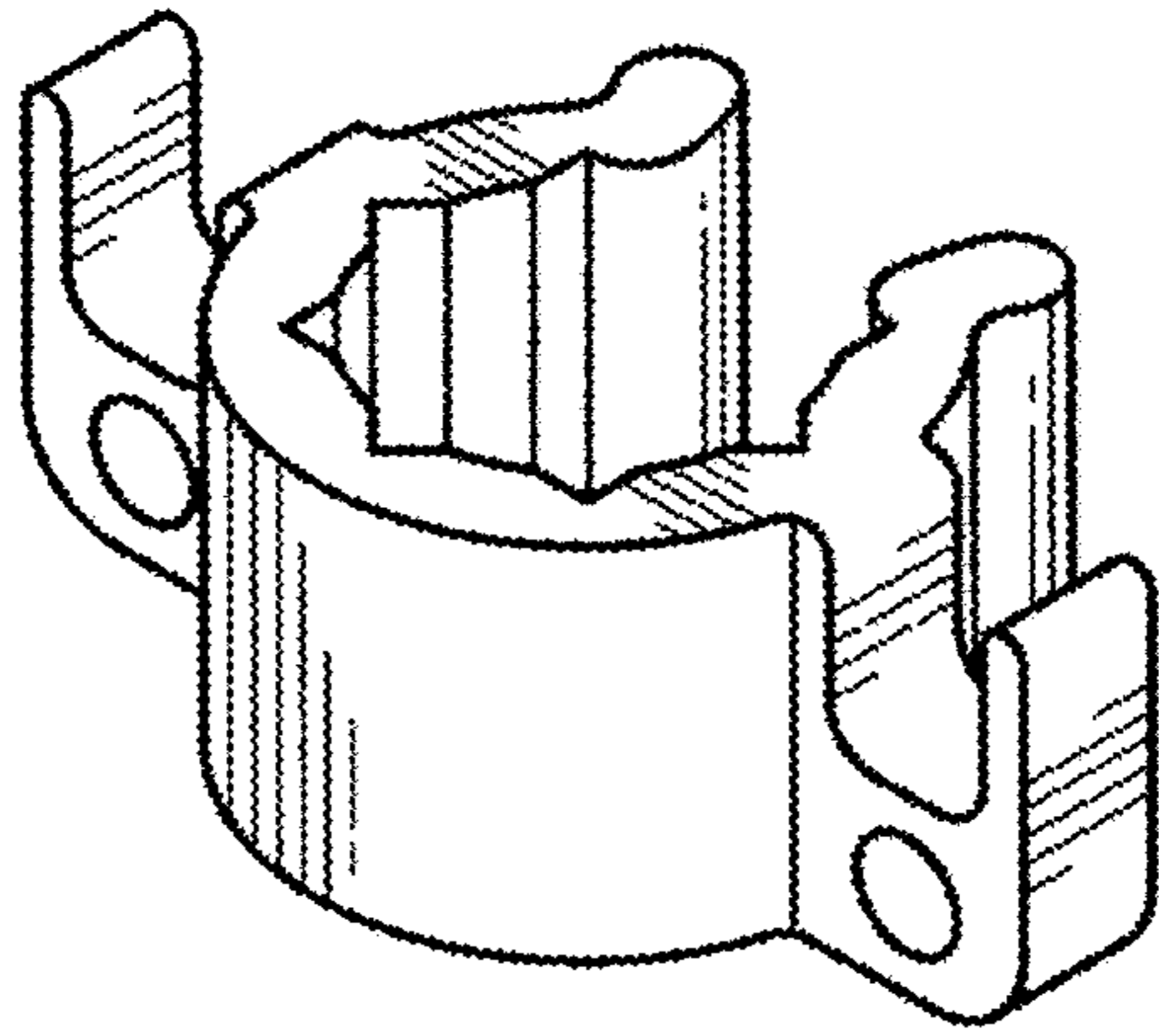


FIG. 1

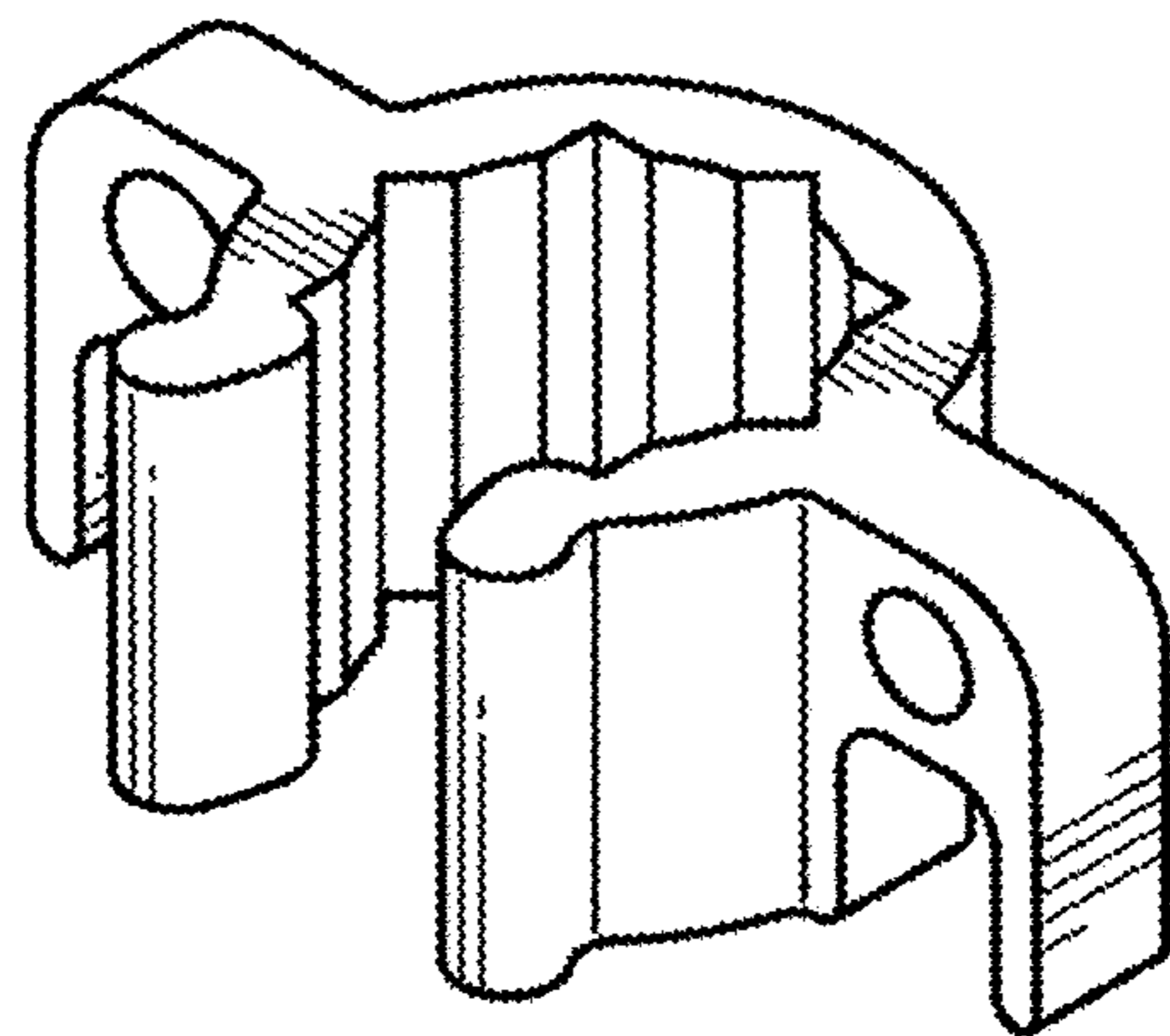


FIG. 2

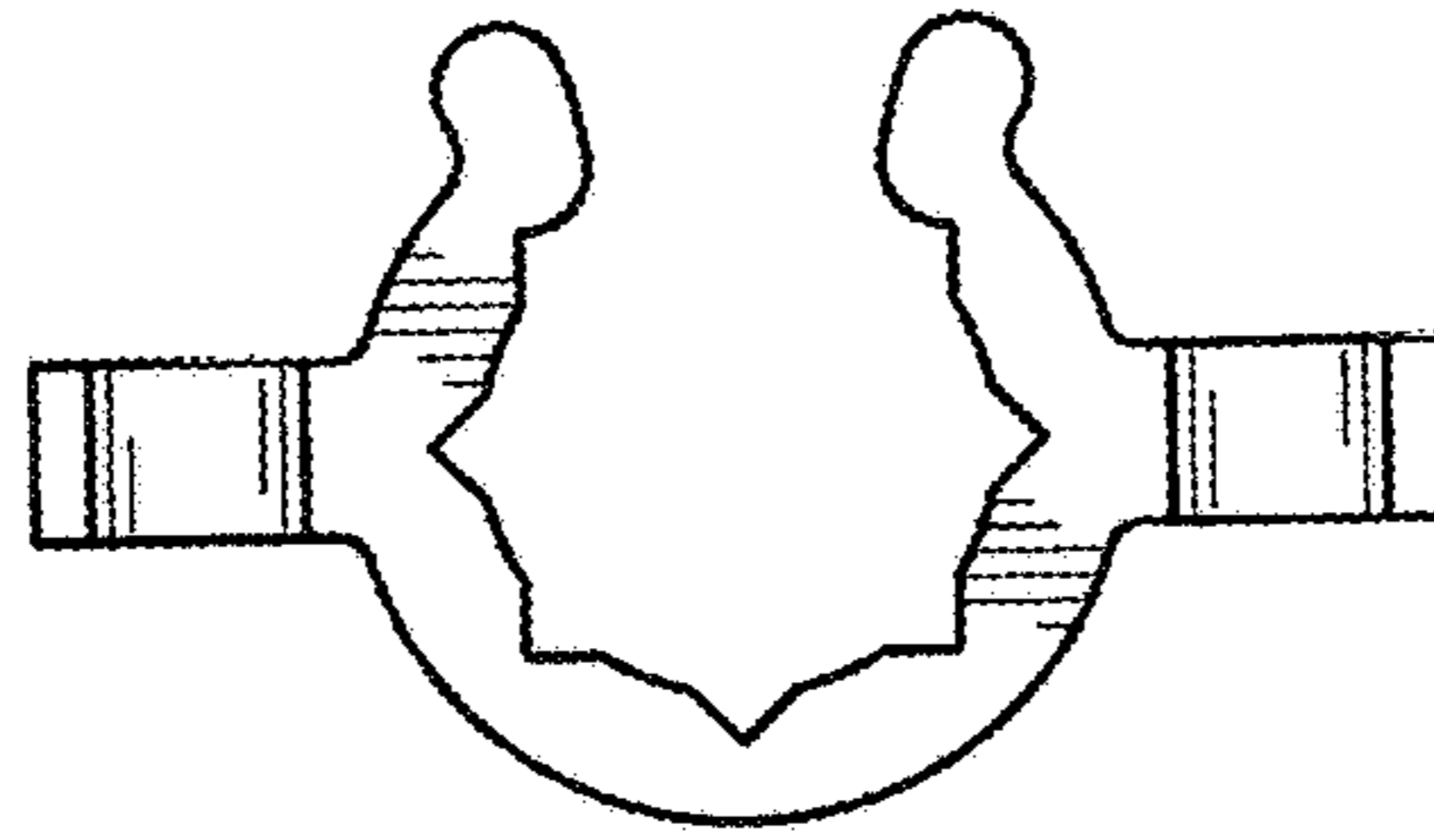


FIG. 3

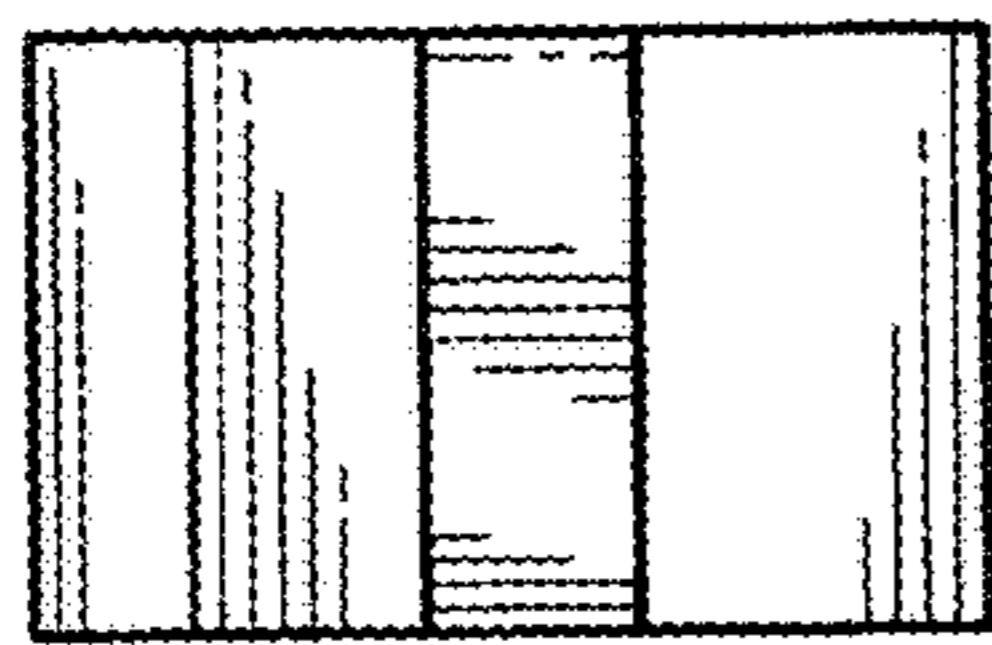


FIG. 4

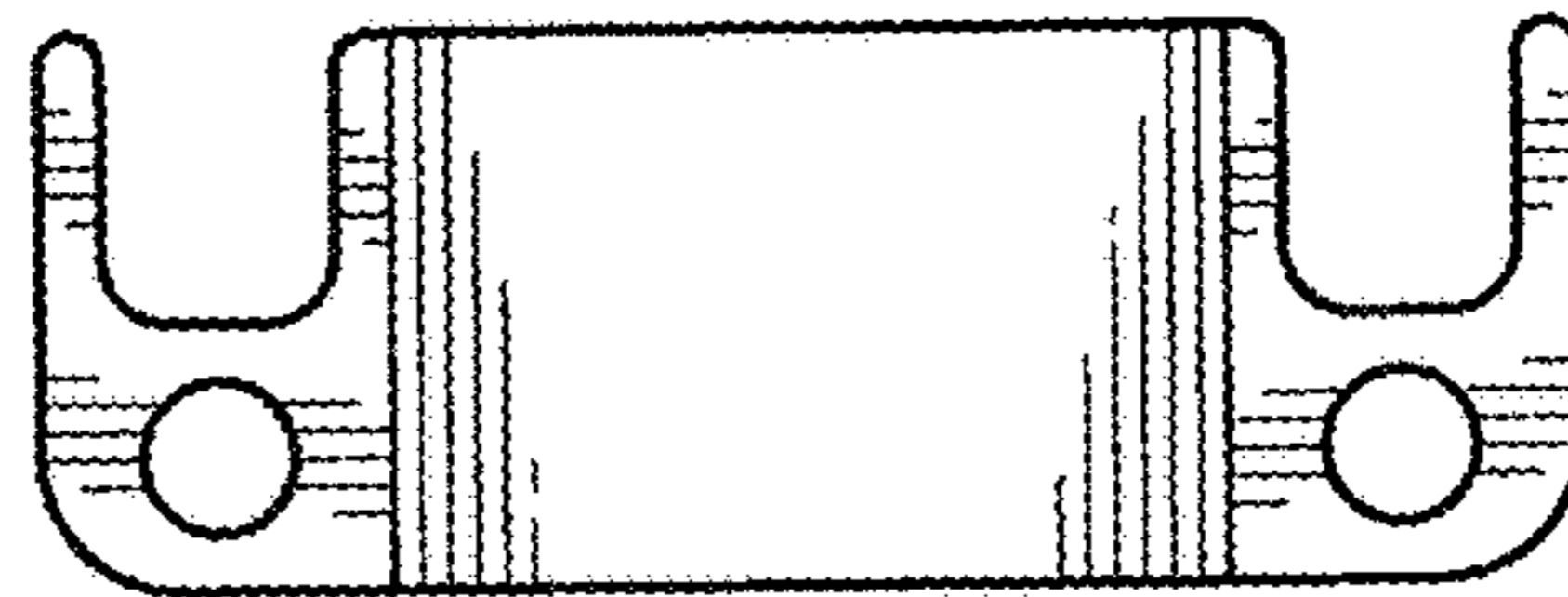


FIG. 5

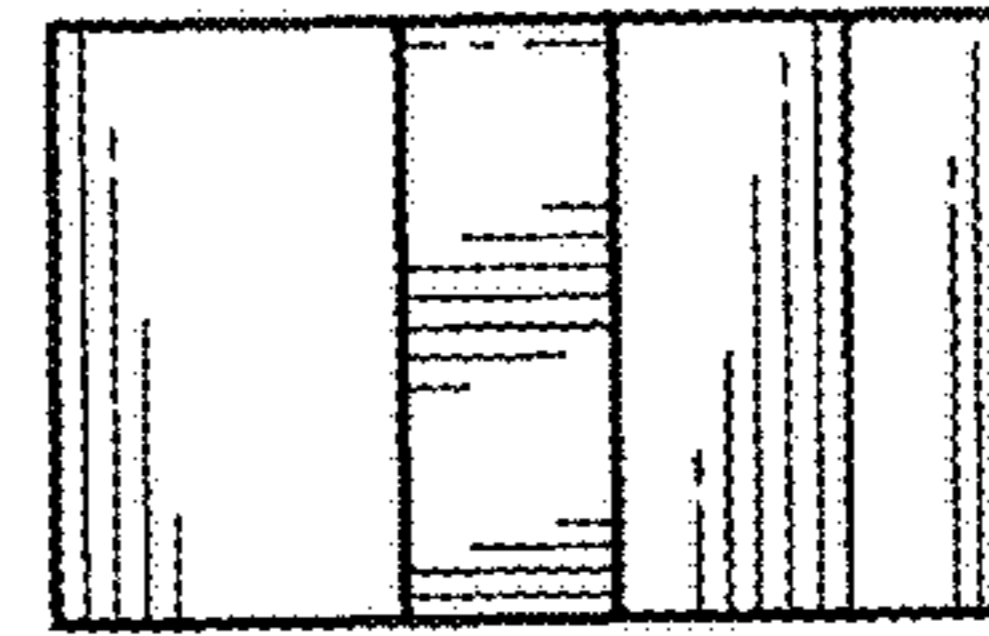


FIG. 6

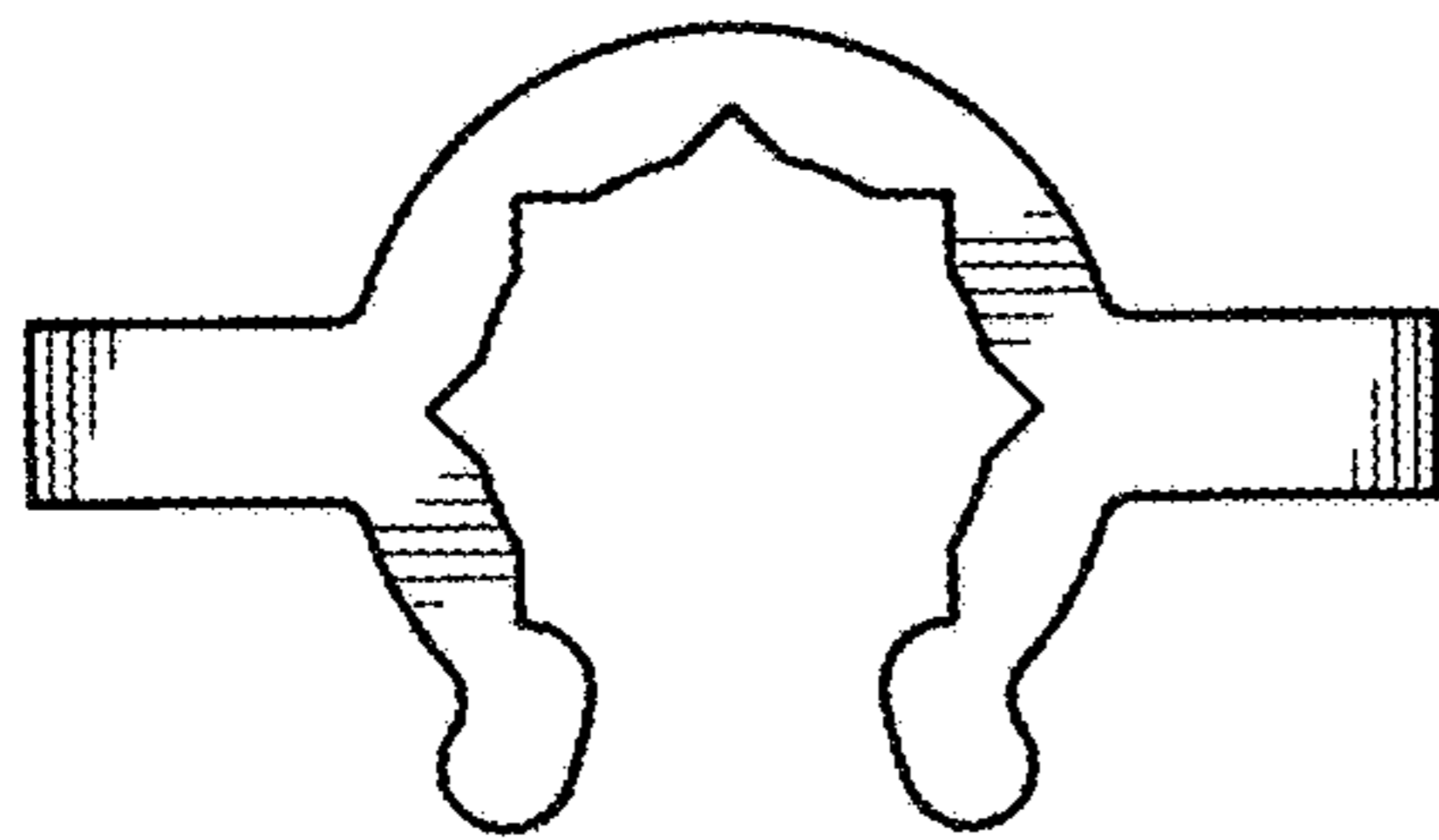


FIG. 7

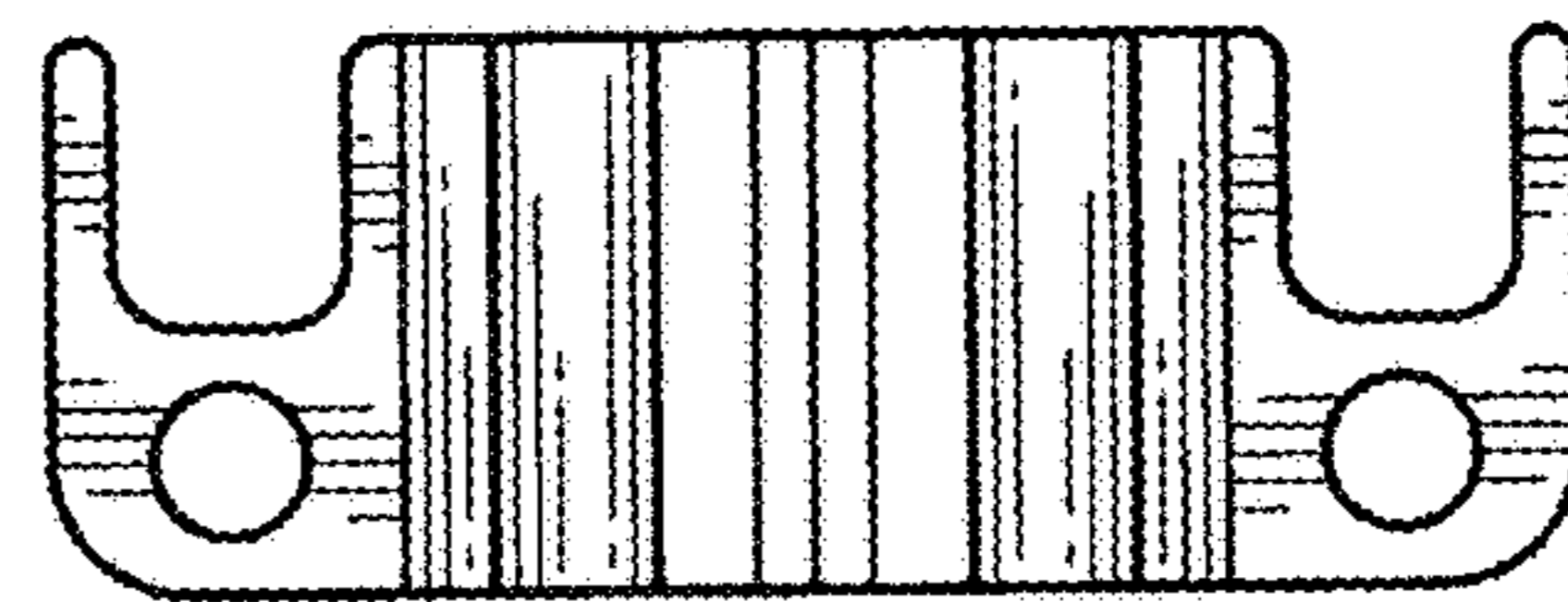


FIG. 8

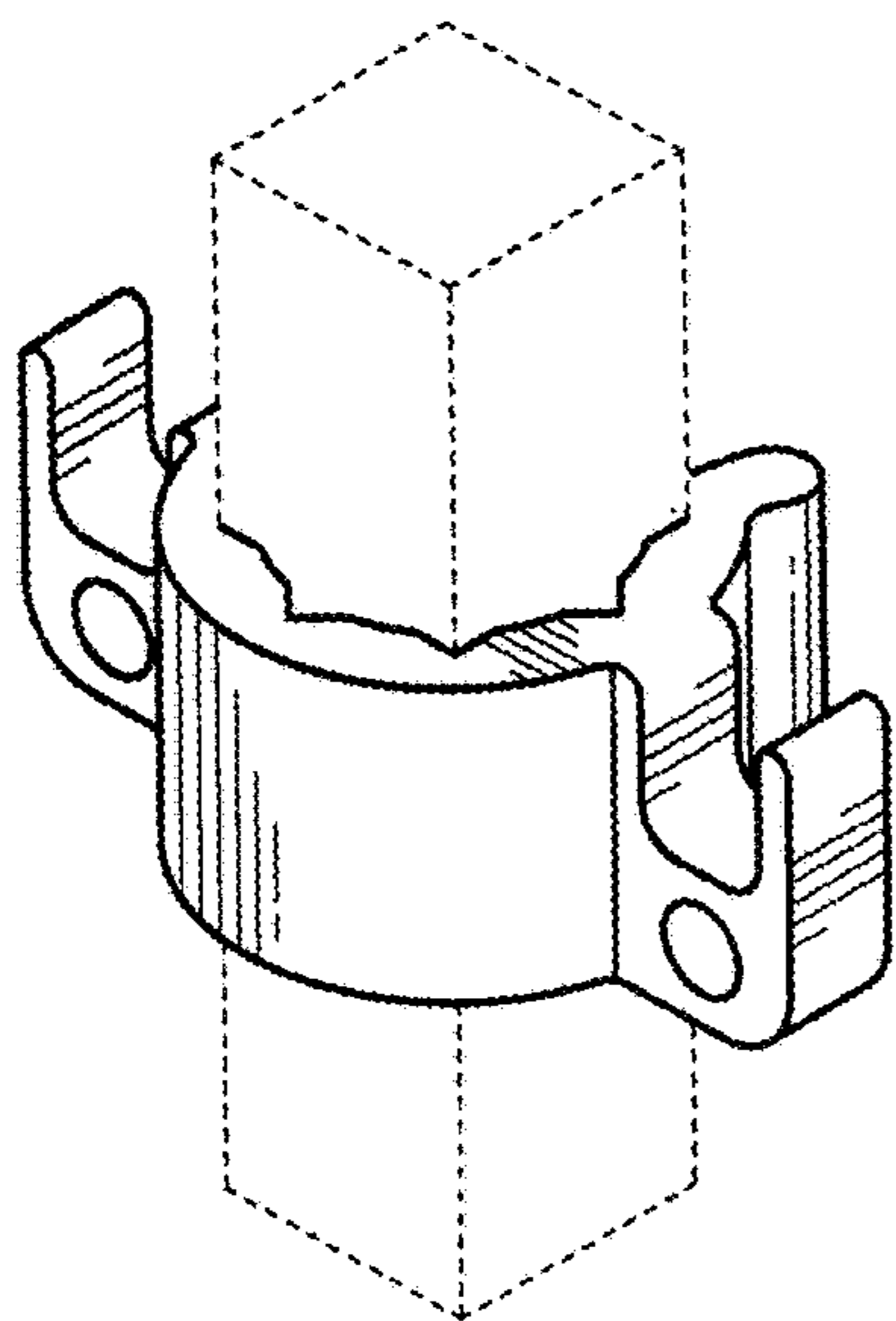


FIG. 9

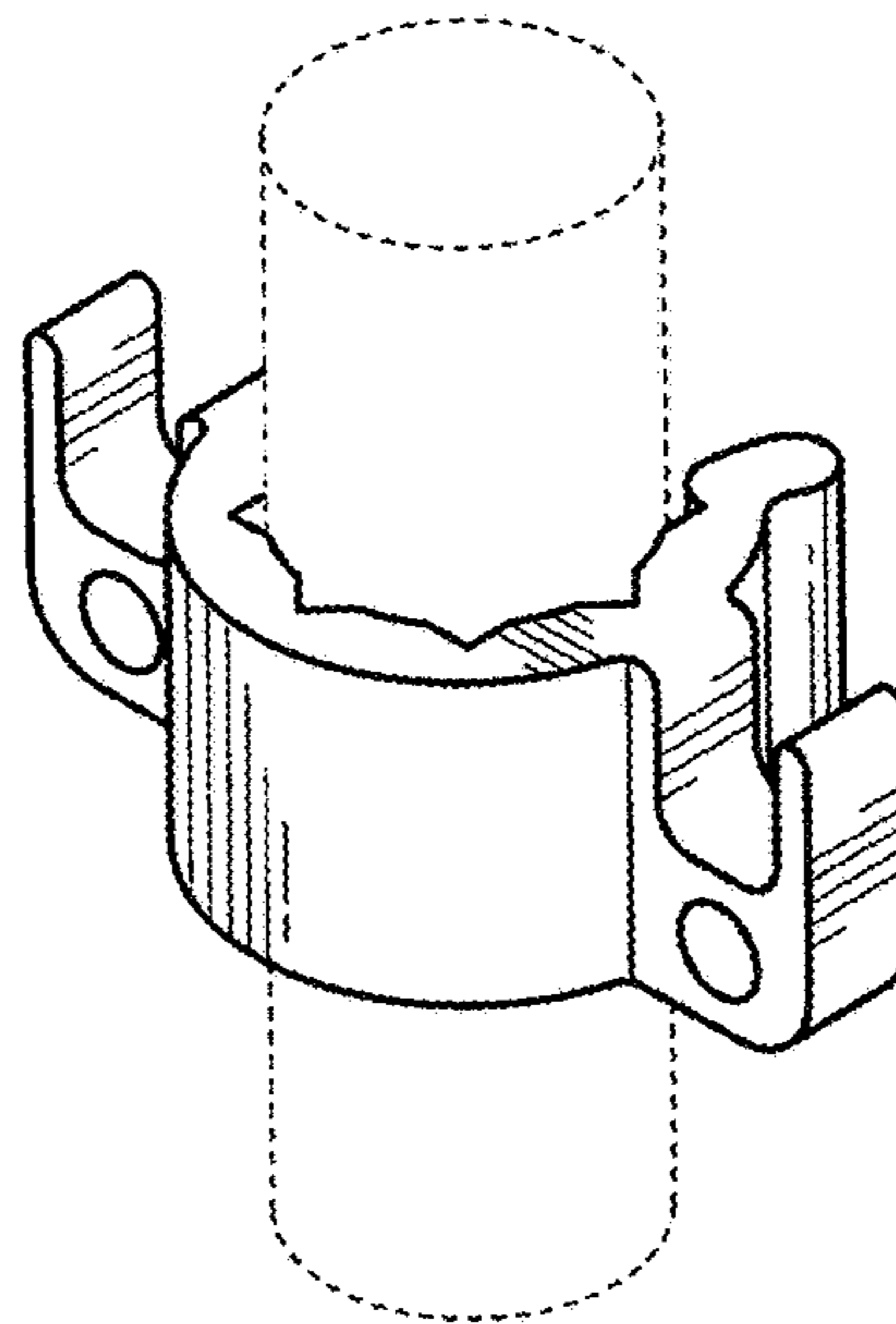


FIG. 10

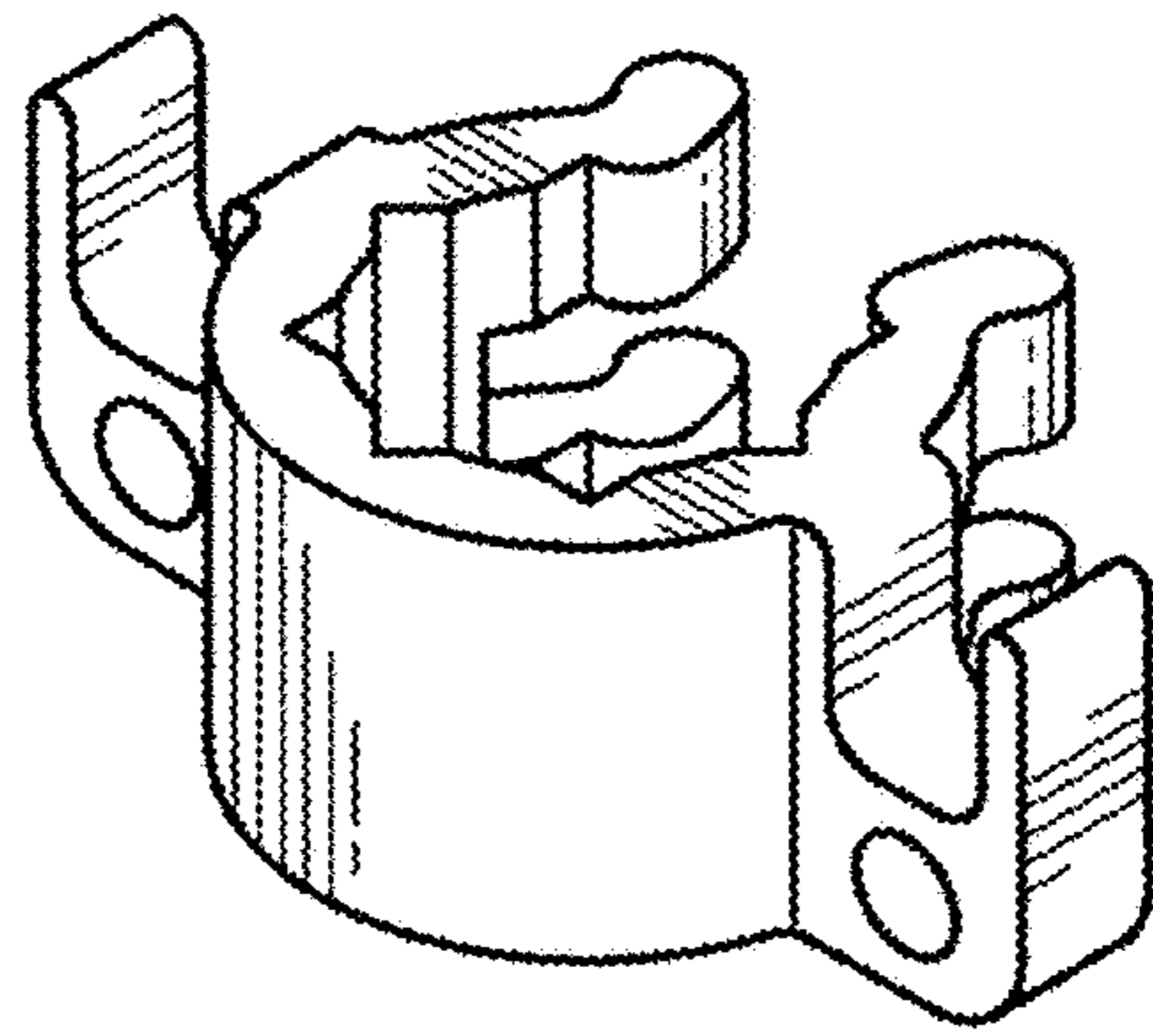


FIG. 11

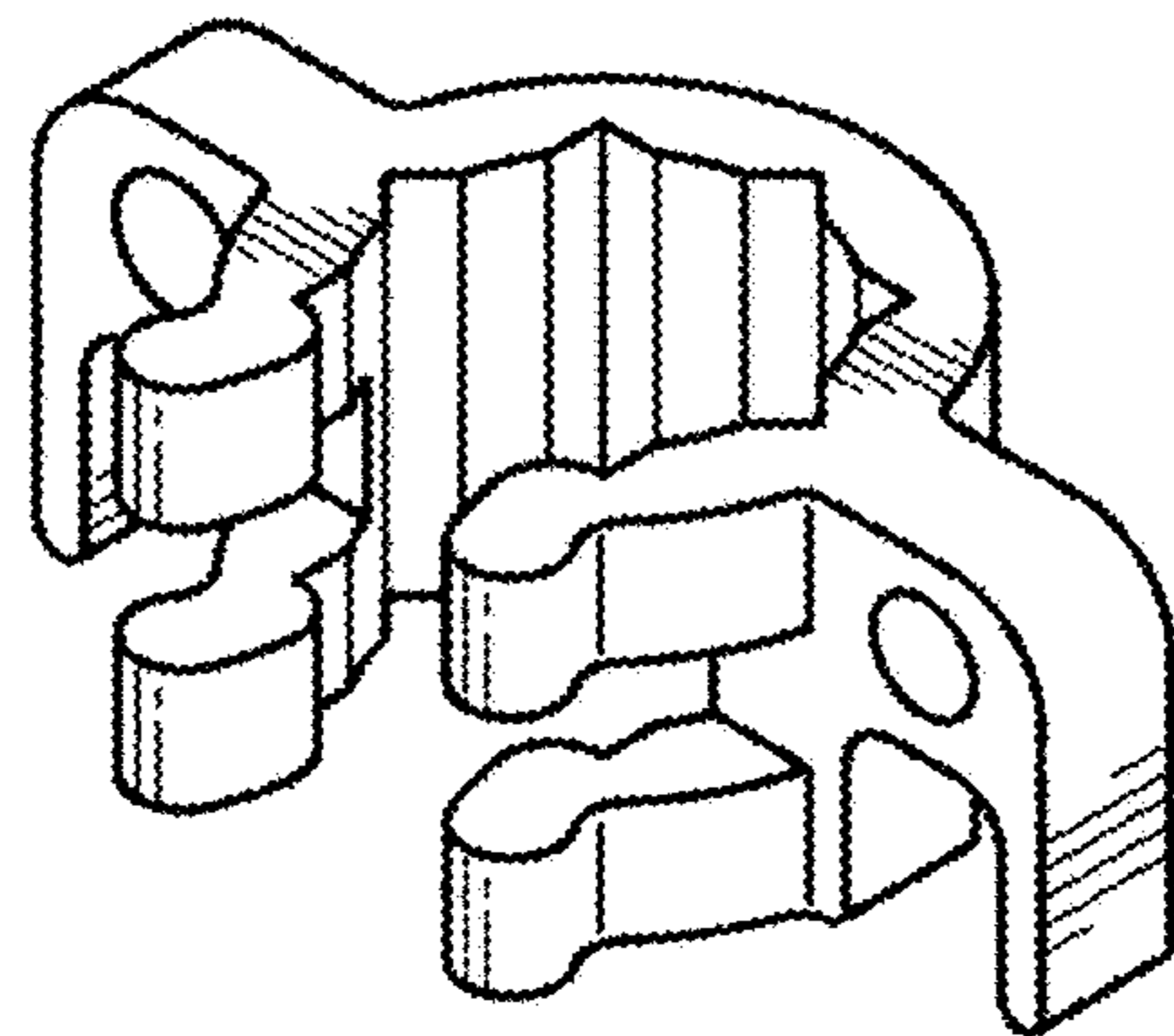


FIG. 12

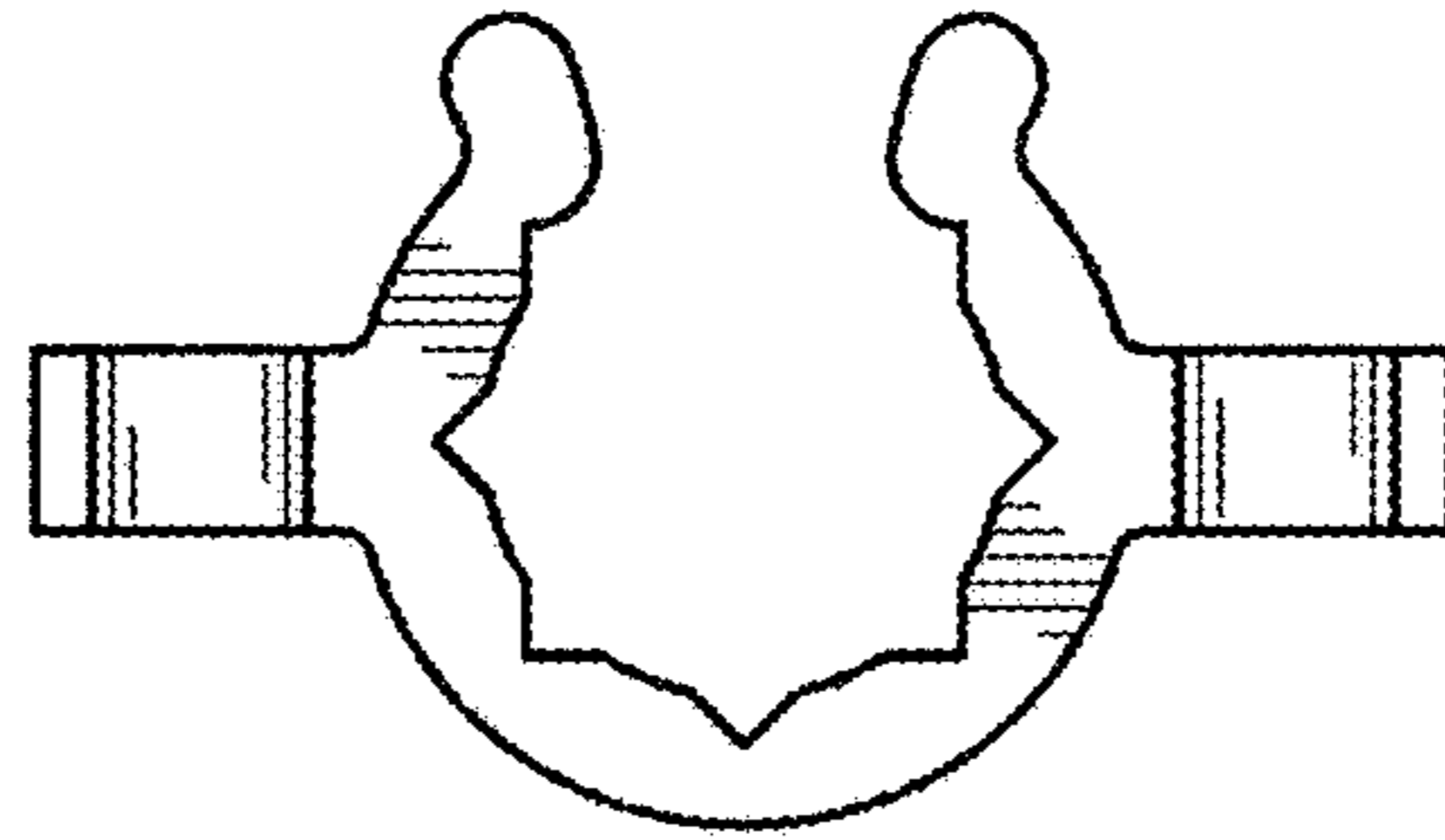


FIG. 13

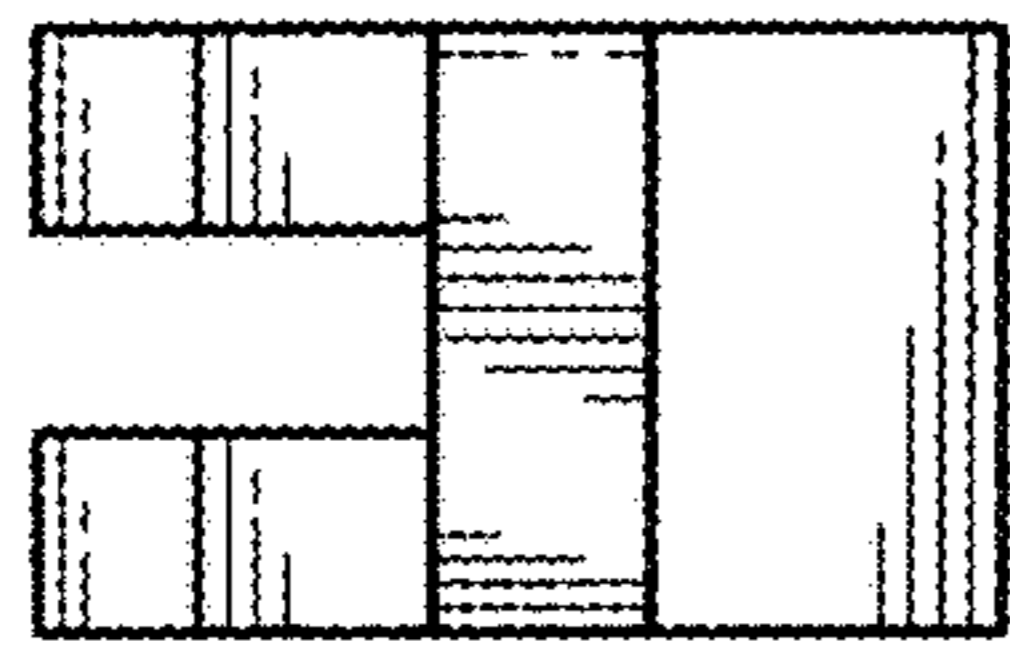


FIG. 14

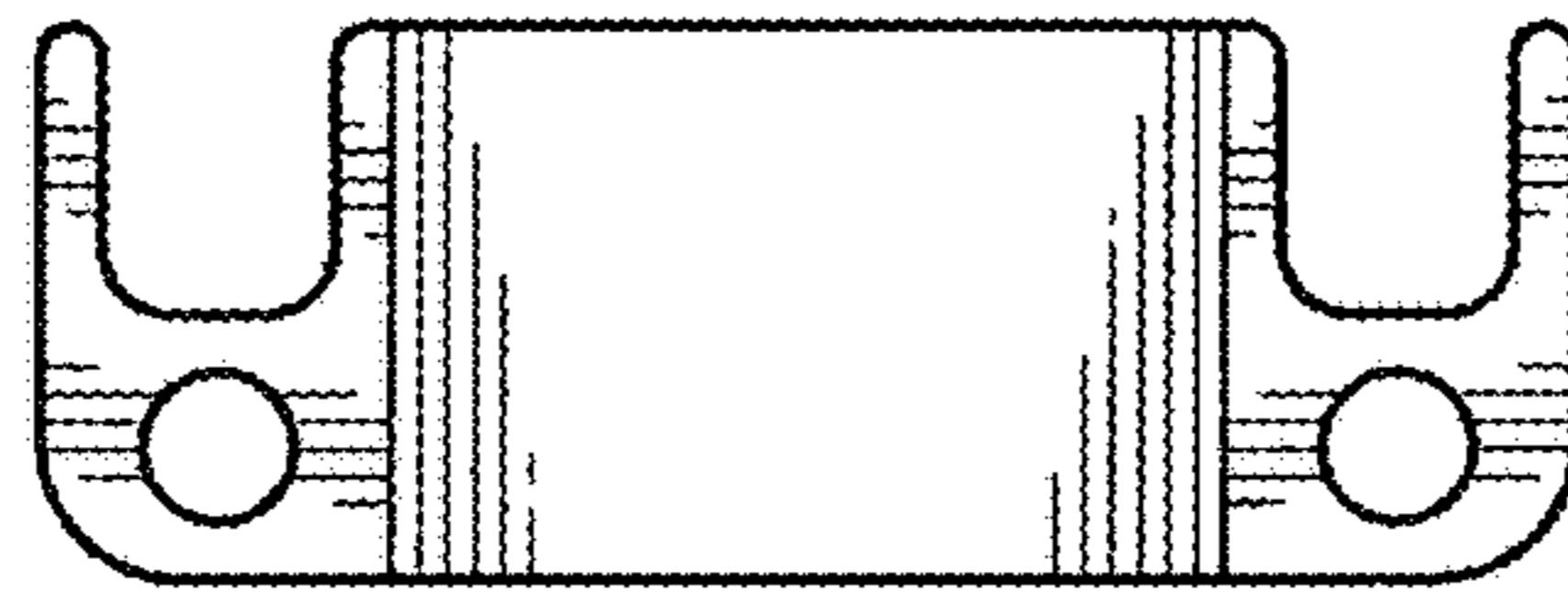


FIG. 15

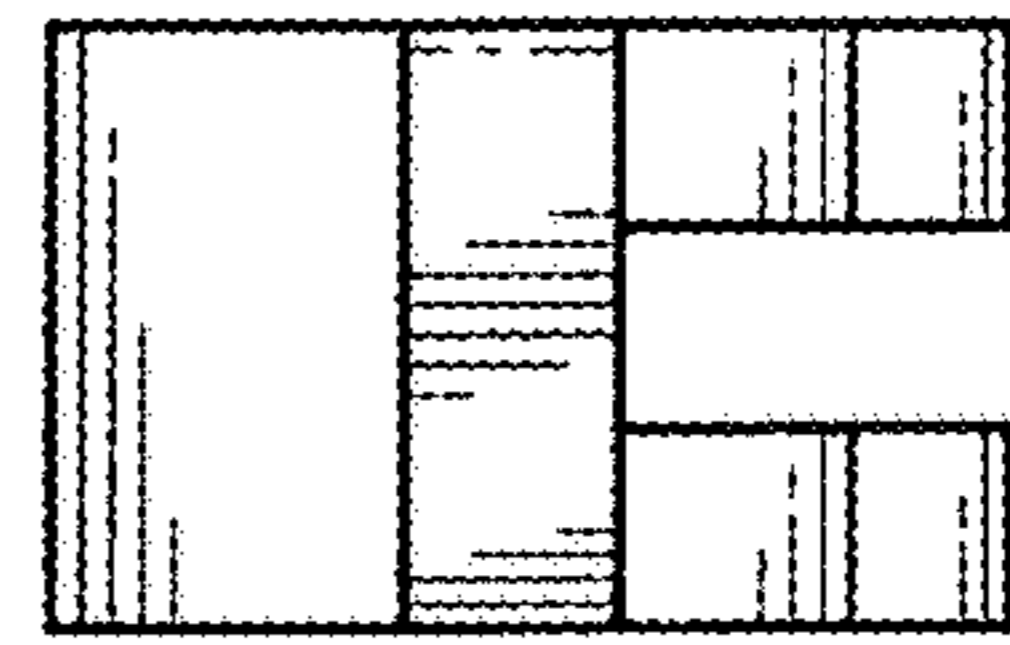


FIG. 16

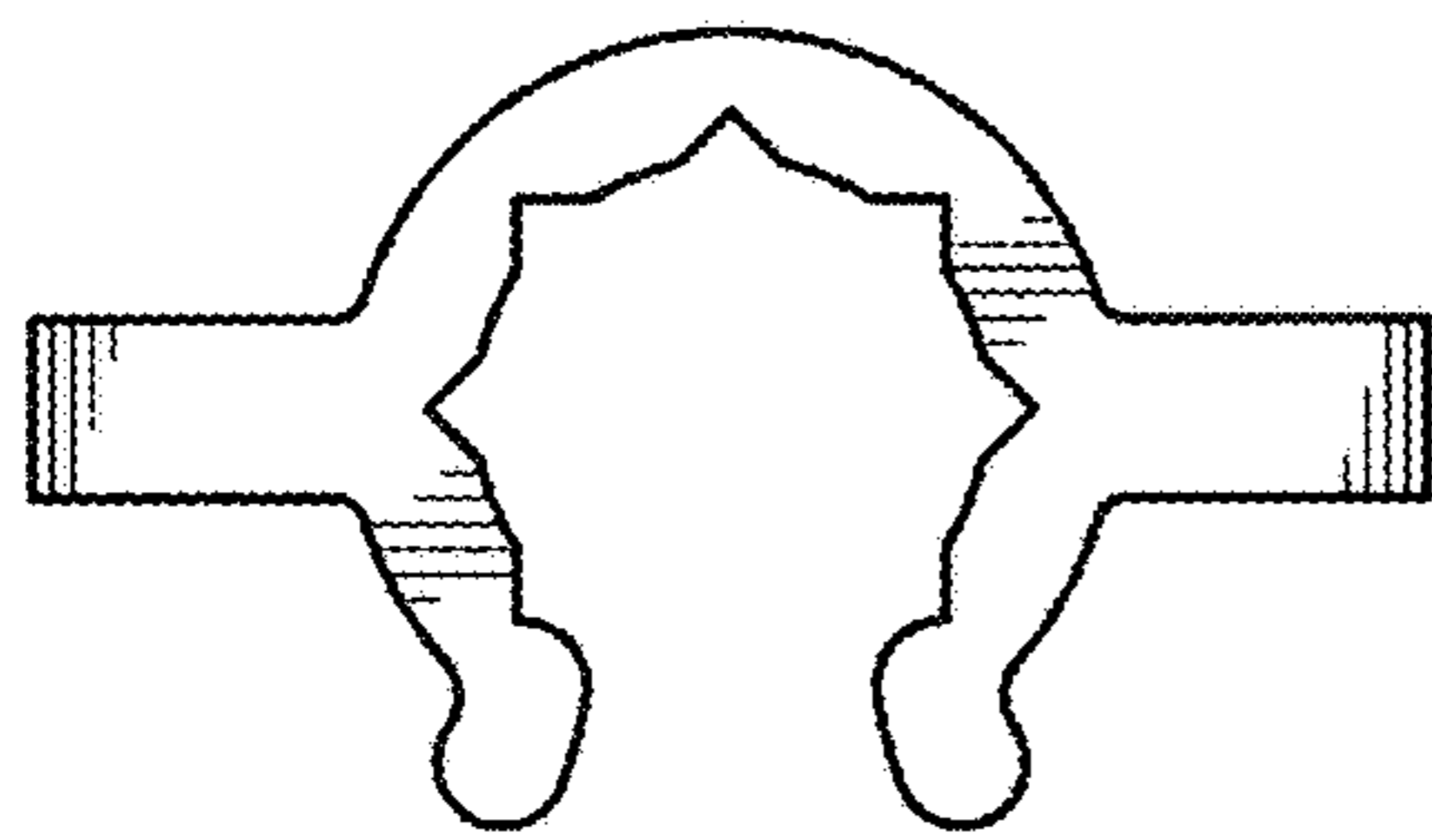


FIG. 17

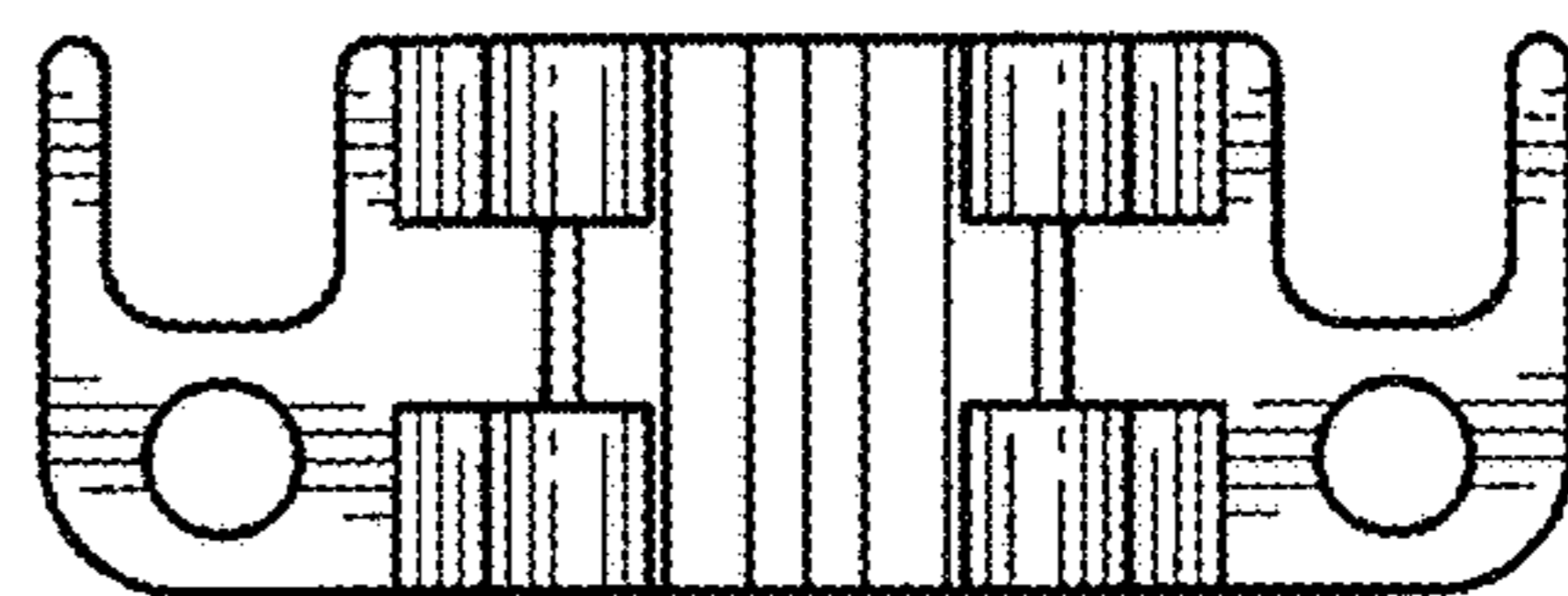


FIG. 18

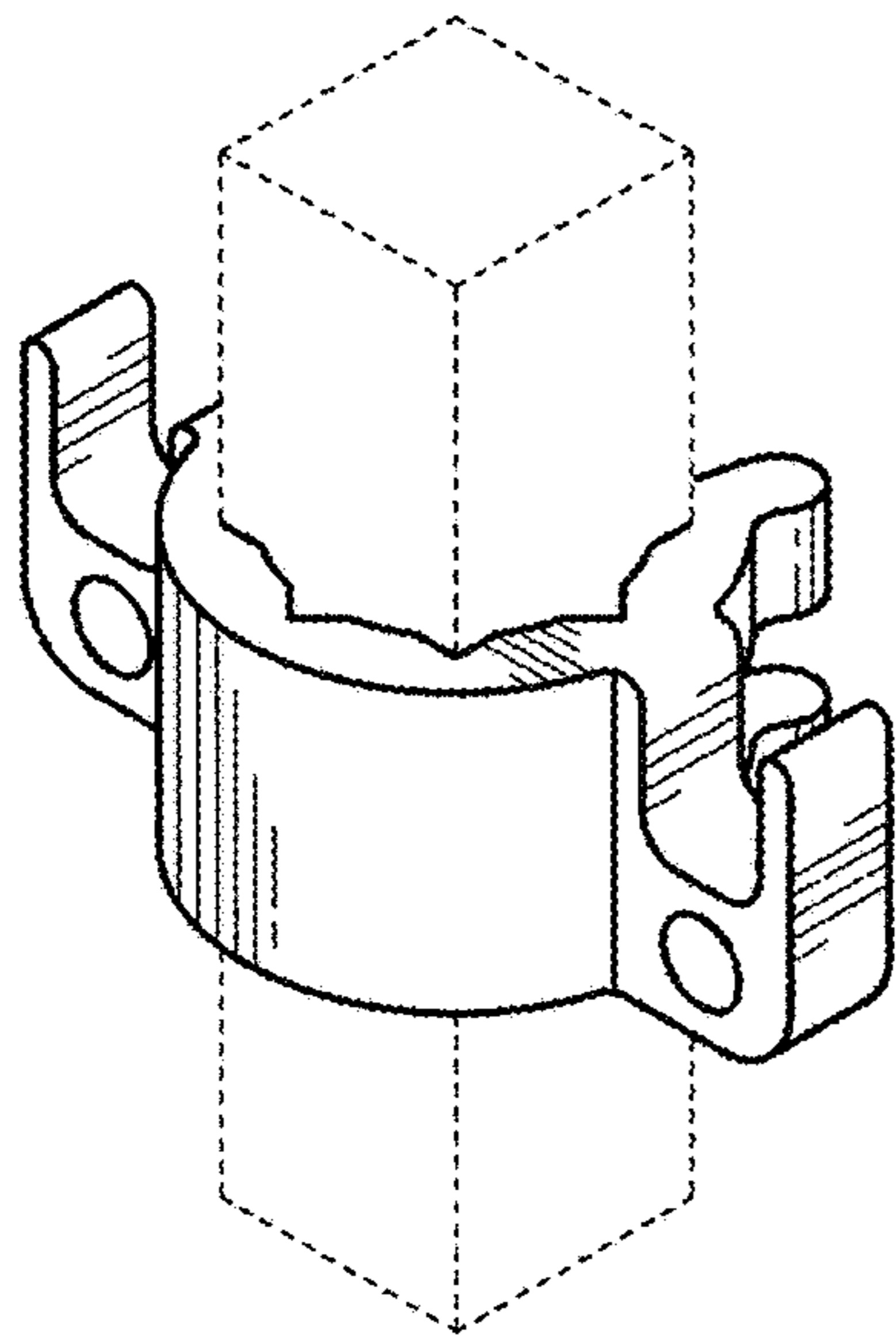


FIG. 19

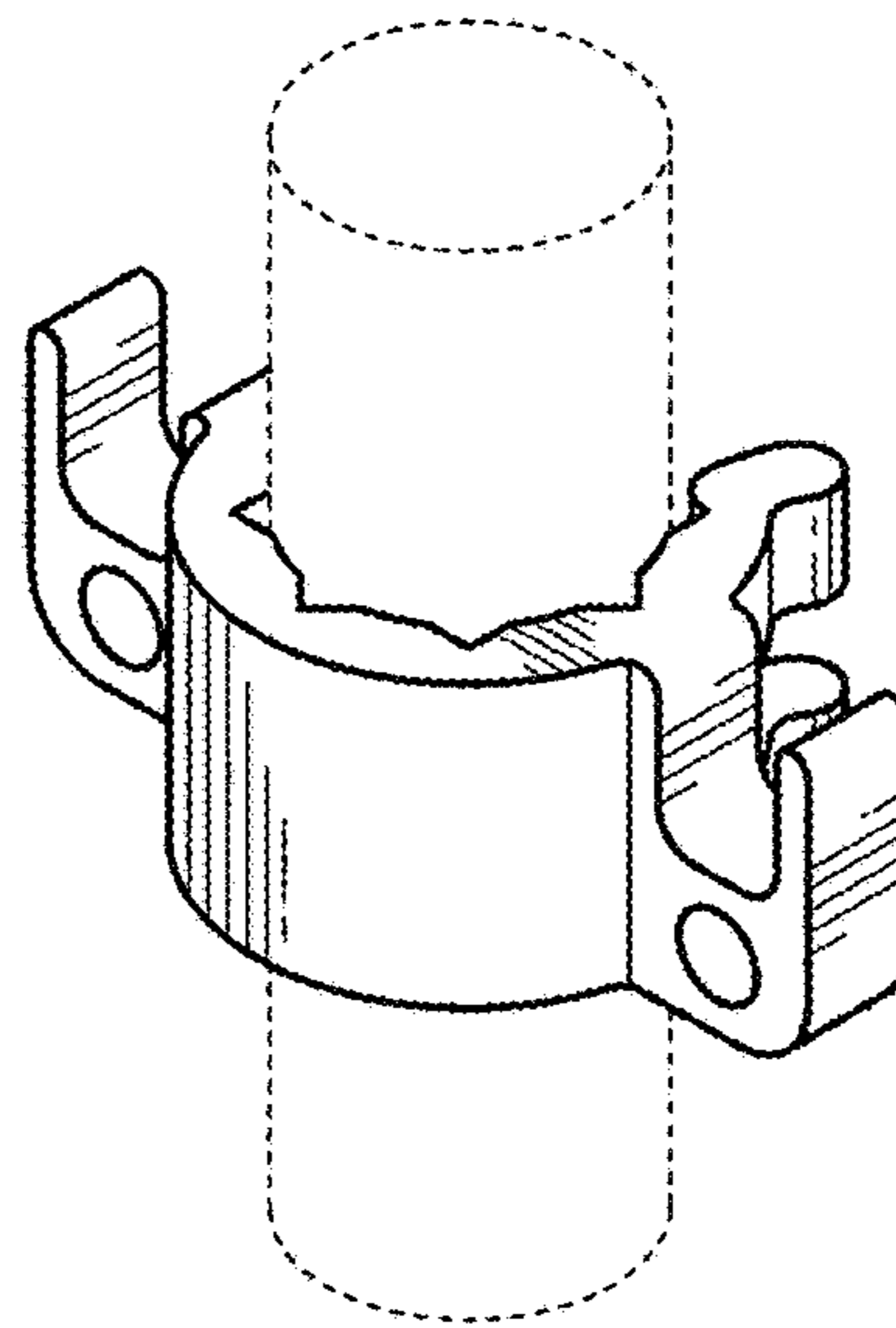


FIG. 20

UNITED STATES PATENT AND TRADEMARK OFFICE
CERTIFICATE OF CORRECTION

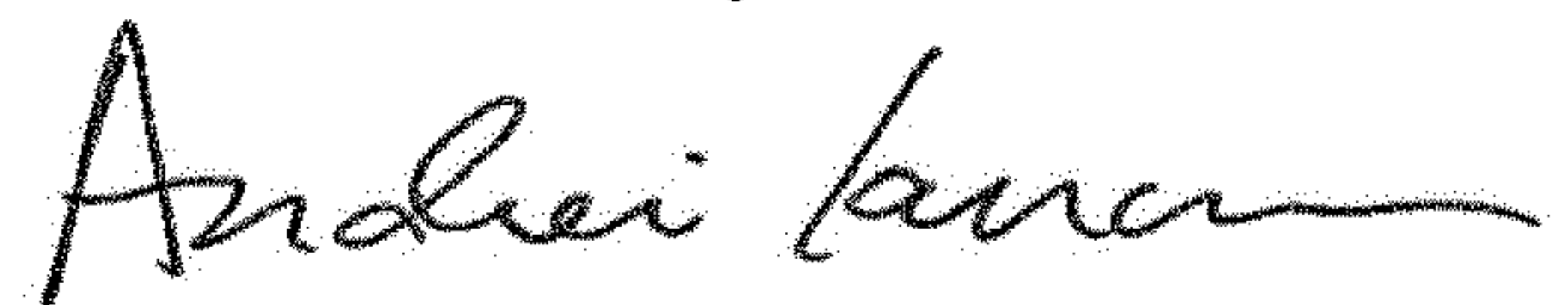
PATENT NO. : D836,428 S
APPLICATION NO. : 29/620911
DATED : December 25, 2018
INVENTOR(S) : Pittman

Page 1 of 9

It is certified that error appears in the above-identified patent and that said Letters Patent is hereby corrected as shown below:

Please delete Patent No. D836,428 S in its entirety and insert Patent No. D836,428 S in its entirety as shown on the attached pages

Signed and Sealed this
Nineteenth Day of March, 2019



Andrei Iancu
Director of the United States Patent and Trademark Office

(12) **United States Design Patent** (10) **Patent No.:** **US D836,428 S**
Pittman (45) **Date of Patent:** **** Dec. 25, 2018**

(54) **HANGER CLIP FOR STAIRWAY SPINDLES AND BALUSTERS**

Primary Examiner — Sandra S Snapp
Assistant Examiner — Ieisha N Price

(71) Applicant: **Craig Allen Pittman**, Bellevue, WA (US)

(57) **CLAIM**
 The ornamental design for a hanger clip for stairway spindles and balusters, as shown and described.

(72) Inventor: **Craig Allen Pittman**, Bellevue, WA (US)

DESCRIPTION

(**) Term: **15 Years**

FIG. 1 is a front, right perspective view of the first embodiment of a hanger clip for stairway spindles & balusters;
 FIG. 2 is a rear, right perspective view thereof;
 FIG. 3 is a top view thereof;
 FIG. 4 is a left side view thereof;
 FIG. 5 is a front view thereof;
 FIG. 6 is a right side view thereof;
 FIG. 7 is a bottom view thereof;
 FIG. 8 is a back view thereof;
 FIG. 9 is an environmental front, right perspective view of the hanger clip for stairway spindles & balusters thereof;
 FIG. 10 is an alternate environmental front, right perspective view of the hanger clip for stairway spindles & balusters thereof;
 FIG. 11 is a front, right perspective view of the second embodiment of a hanger clip for stairway spindles & balusters
 FIG. 12 is a rear, right perspective view thereof;
 FIG. 13 is a top view thereof;
 FIG. 14 is a left side view thereof;
 FIG. 15 is a front view thereof;
 FIG. 16 is a right side view thereof;
 FIG. 17 is a bottom view thereof;
 FIG. 18 is a back view thereof;
 FIG. 19 is an environmental front, right perspective view of the hanger clip for stairway spindles & balusters thereof; and,
 FIG. 20 is an alternate environmental front, right perspective view of the hanger clip for stairway spindles & balusters thereof.
 The broken lines rendered in FIGS. 9, 10, 19 and 20 illustrate the environment of the claimed design and form no part thereof.

(21) Appl. No.: **29/620,911**

(22) Filed: **Aug. 18, 2017**

Related U.S. Application Data

(62) Division of application No. 29/620,058, filed on Jun. 10, 2016, now Pat. No. Des. 798,136.

(51) **LOC (11) Cl.** **08-08**

(52) **U.S. Cl.**
 USPC **D8/382; D8/394**

(58) **Field of Classification Search**
 USPC D8/14, 71, 72, 349, 354, 363, 373, 380, D8/382, 394, 396, 499; D25/62, 68
 CPC E04F 11/1802; E04F 11/1804; E04F 2011/1806; E04F 11/1808; E04F 11/1812; E04F 11/1817; E04F 11/1836; E04H 17/24

See application file for complete search history.

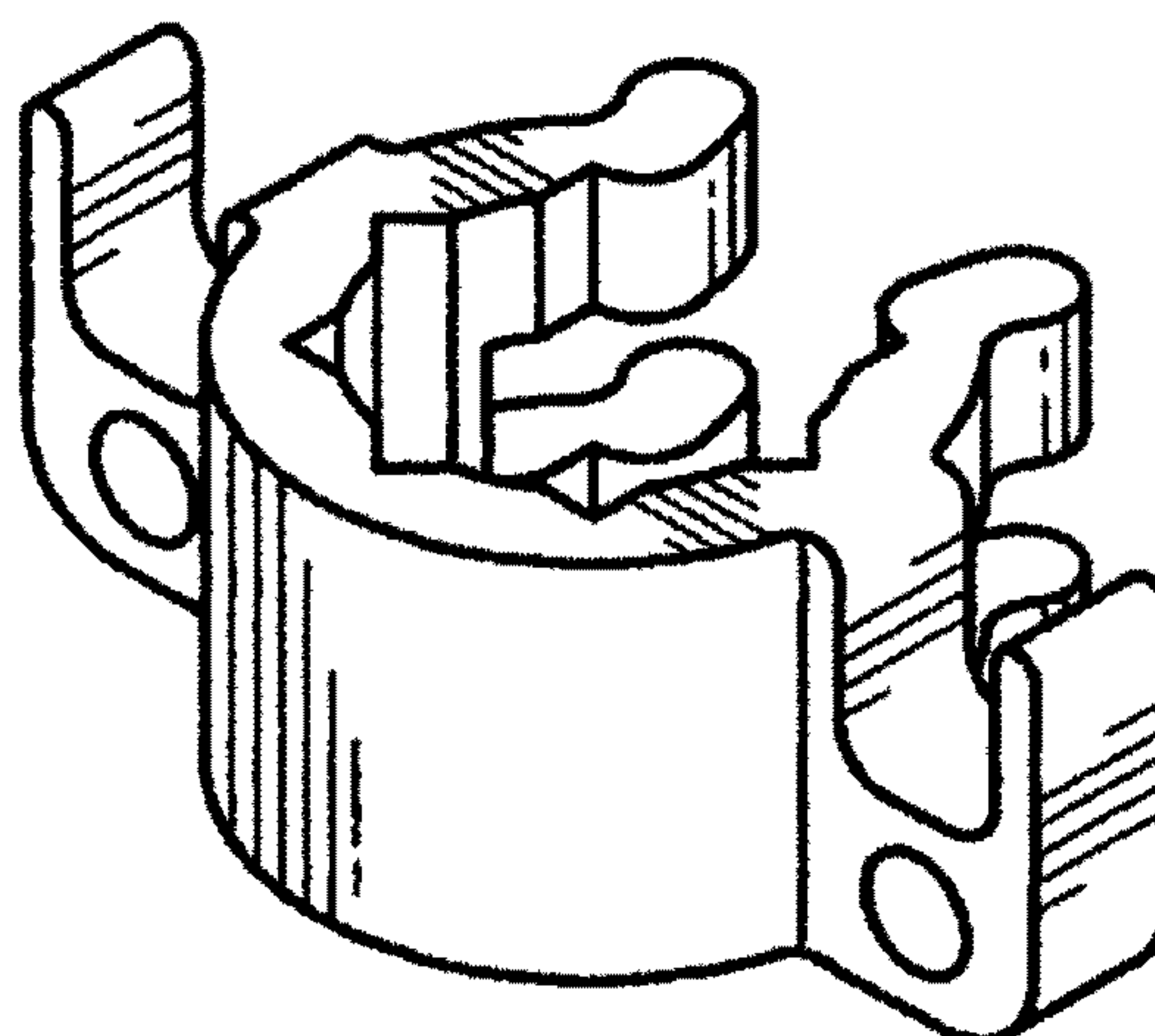
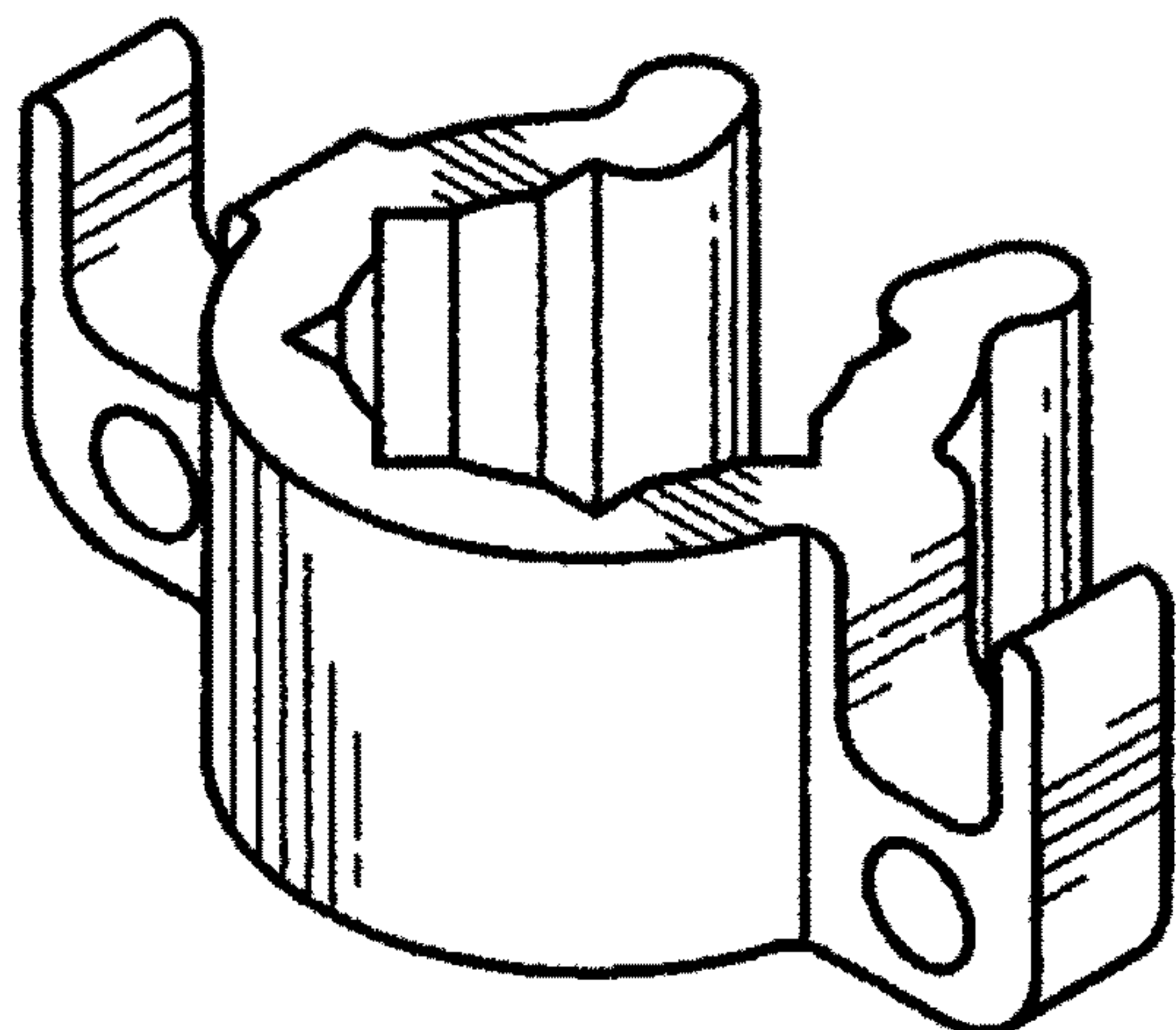
(56) **References Cited**

U.S. PATENT DOCUMENTS

3,313,009 A * 4/1967 Beckerer F16L 3/13 248/74.2

3,540,687 A 11/1970 Cliva
 (Continued)

1 Claim, 6 Drawing Sheets



US D836,428 S

Page 2

(56)

References Cited

U.S. PATENT DOCUMENTS

D224,085 S	7/1972	Cuva	
D227,742 S	7/1973	Logdson	
D248,347 S	7/1978	McCollum	
D264,682 S *	6/1982	Van Doren	D8/354
D295,723 S	5/1988	Shioda	
D299,213 S	1/1989	Puntillo	
5,160,105 A	11/1992	Miller	
D375,453 S	11/1996	Fleck	
D375,894 S *	11/1996	Ogawa	D8/396
D376,973 S *	12/1996	Brown	D8/395
D417,612 S *	12/1999	Jones	D26/138
D428,326 S *	7/2000	Nakamura	D8/356
D438,453 S	3/2001	Nelson	
D476,569 S	7/2003	Simkins	
D483,654 S *	12/2003	Taylor	D8/356
6,971,381 B2	12/2005	Langford	
7,721,396 B2 *	5/2010	Fleischman	A47C 1/14 24/303
D622,469 S	8/2010	Nacey	
D720,612 S	1/2015	Gilbert	
D729,542 S *	5/2015	Dontfraid	D6/534
D759,474 S *	6/2016	Pittman	D8/395
D766,711 S	9/2016	Babbage	
D784,118 S	4/2017	Reddy	
9,643,636 B2 *	5/2017	Parnell	B62B 5/00
D791,558 S *	7/2017	Carpio	D8/1
D793,646 S *	8/2017	Bacallao	D34/27
D796,946 S *	9/2017	Pittman	D8/395
D798,136 S *	9/2017	Pittman	D8/382
D808,255 S *	1/2018	Pittman	D8/396

* cited by examiner

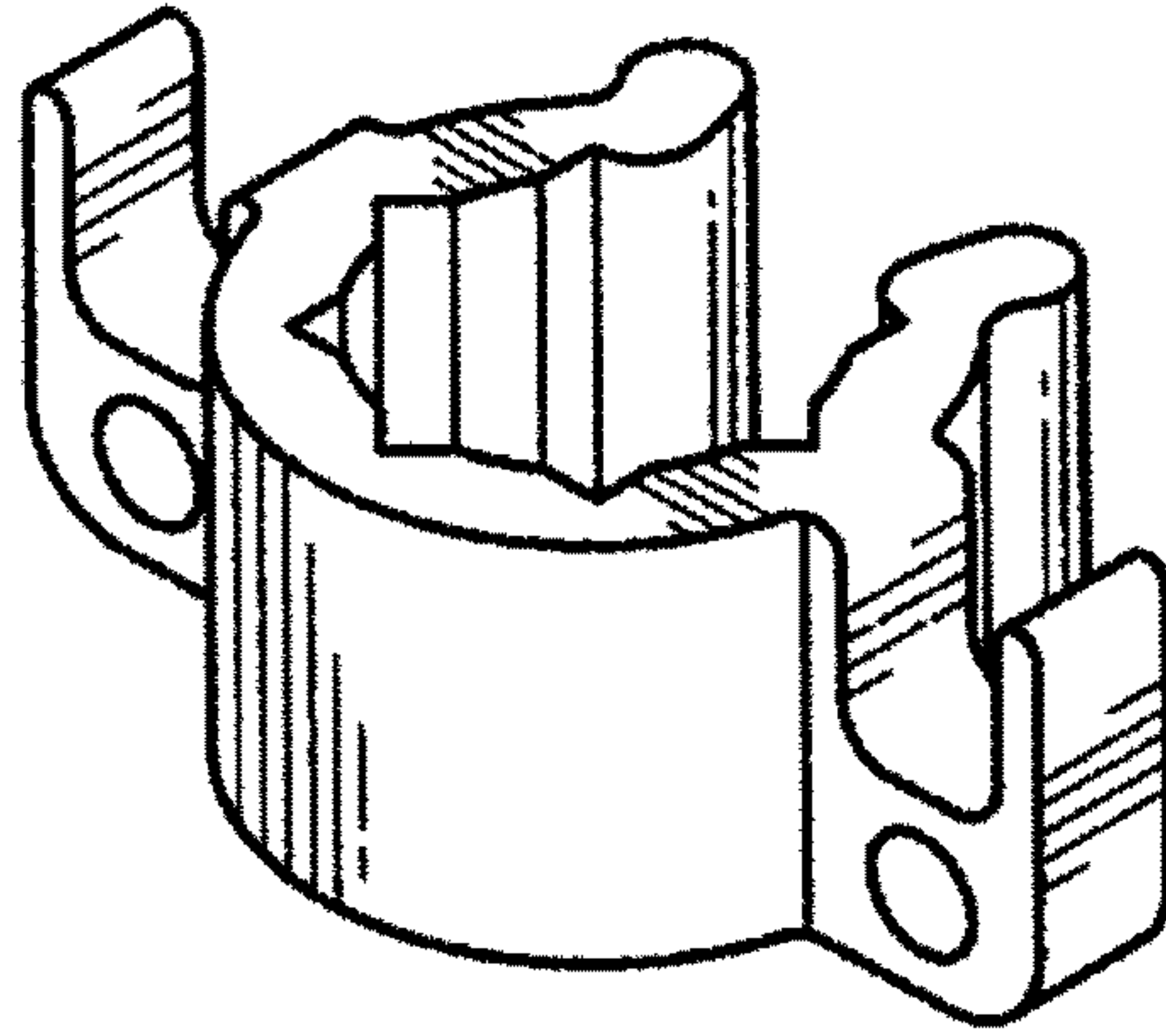


FIG. 1

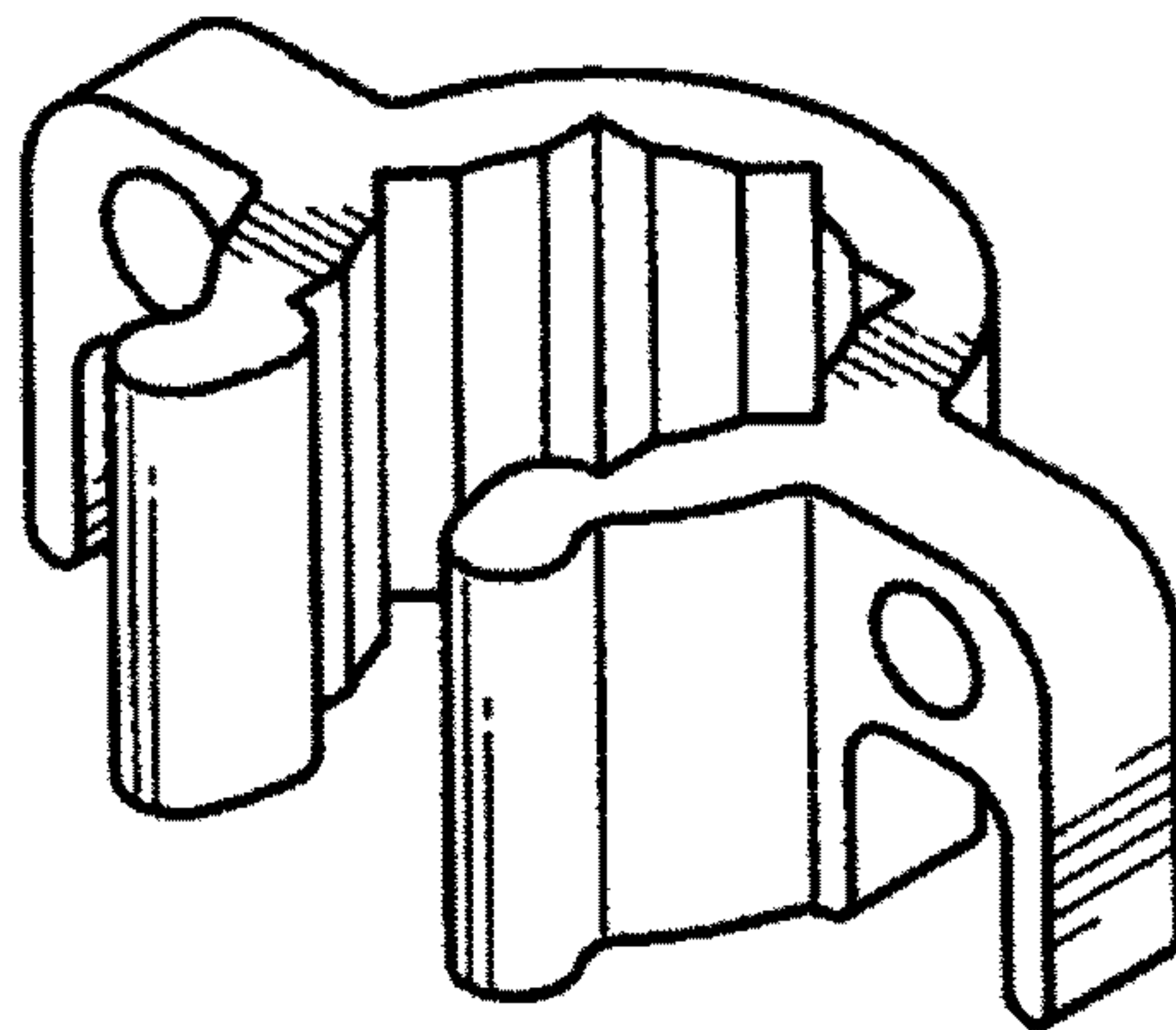


FIG. 2

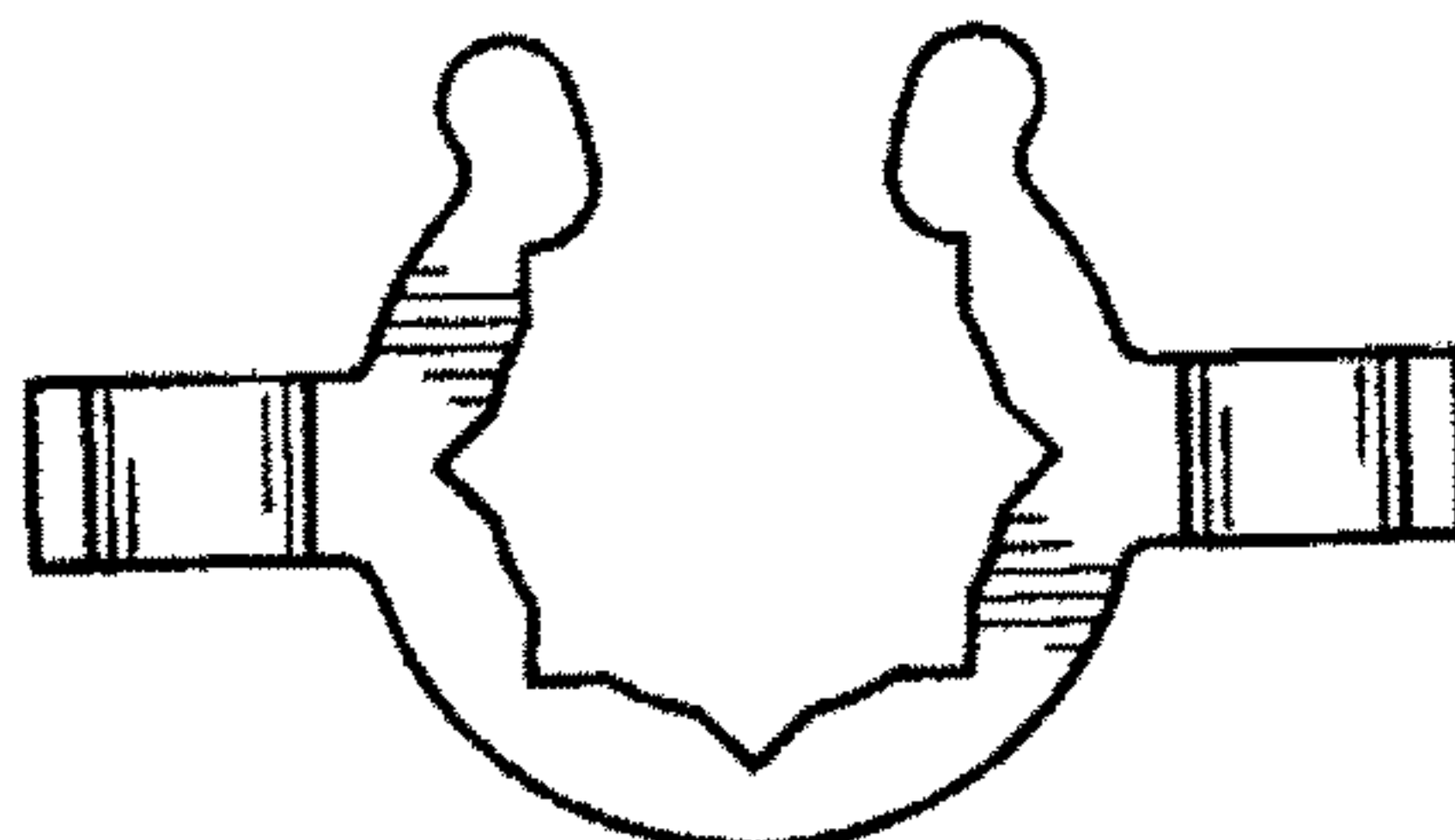


FIG. 3

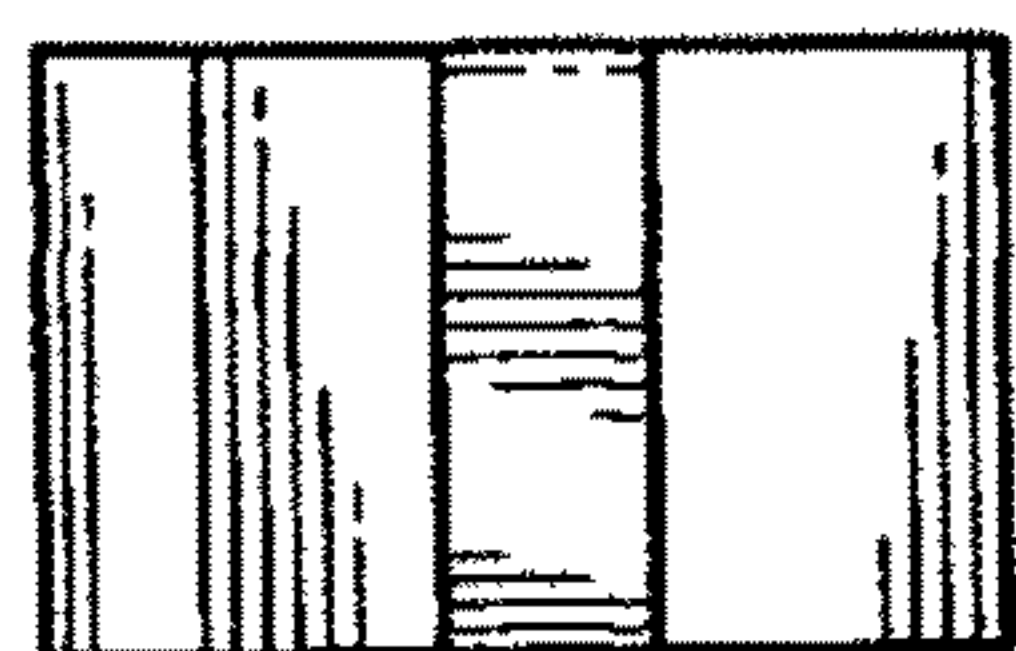


FIG. 4



FIG. 5

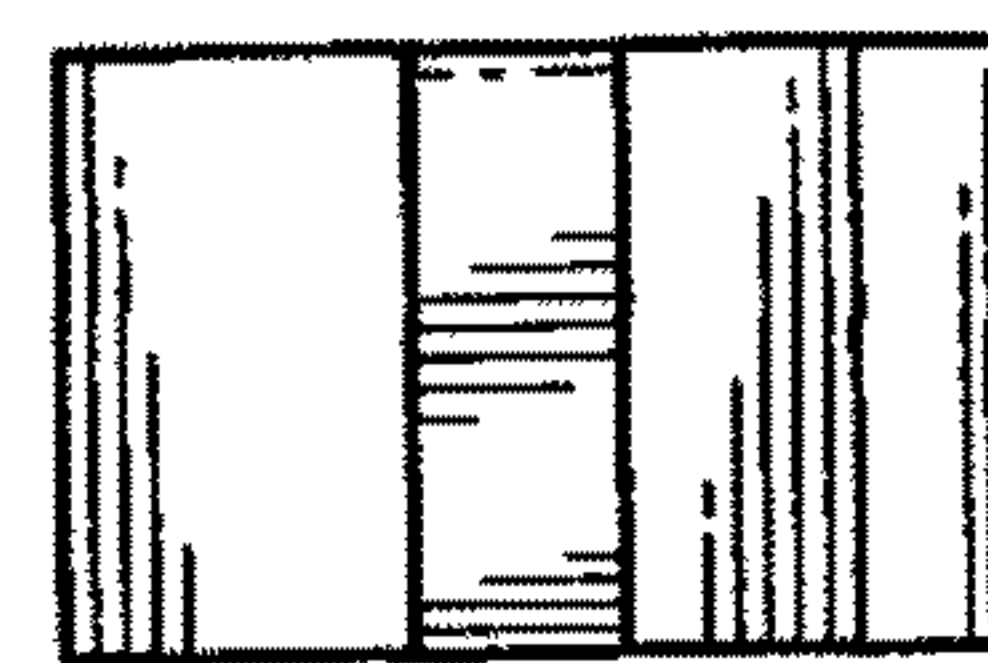


FIG. 6

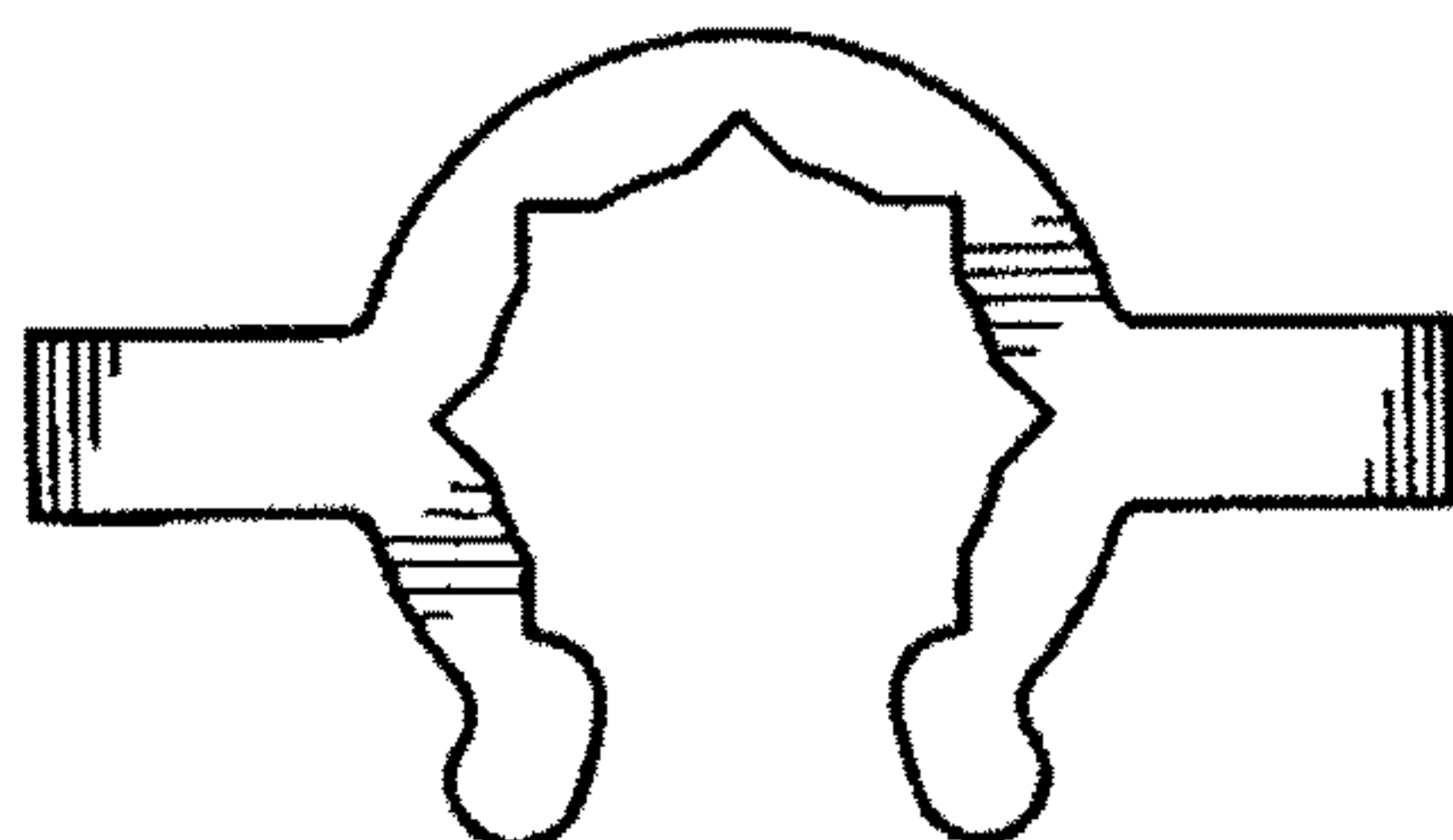


FIG. 7

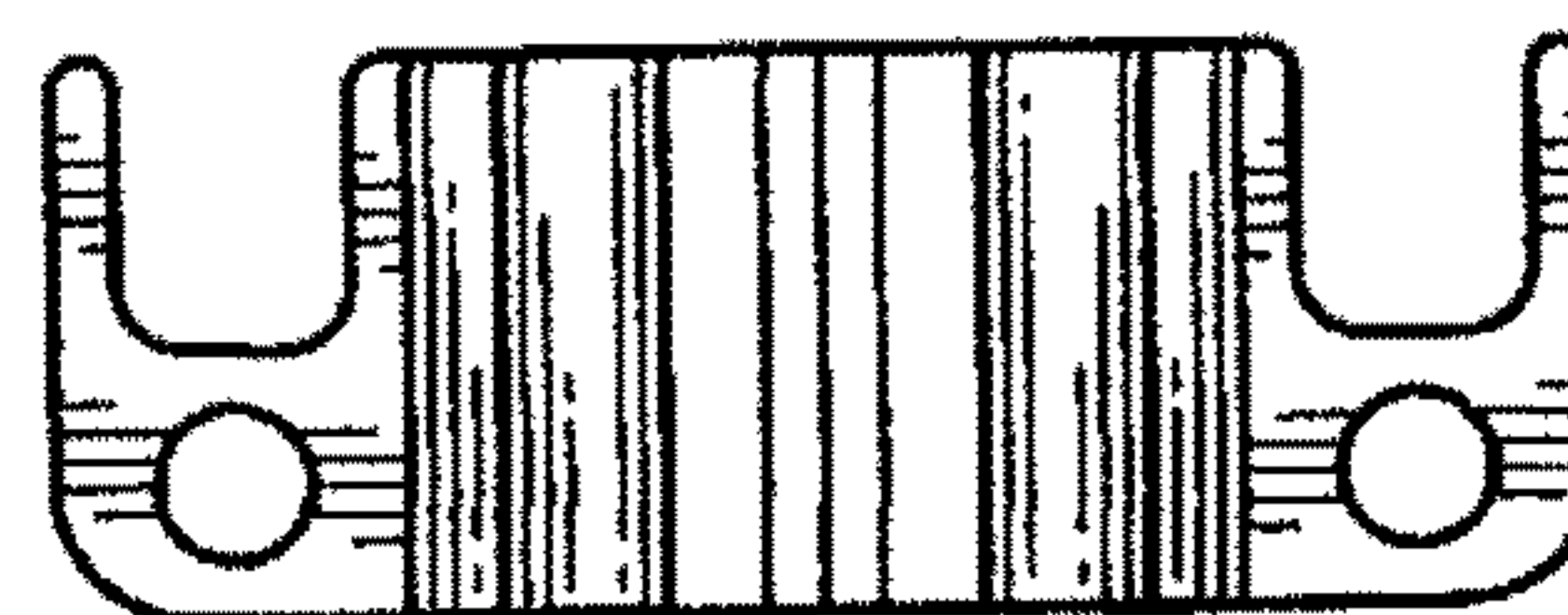


FIG. 8

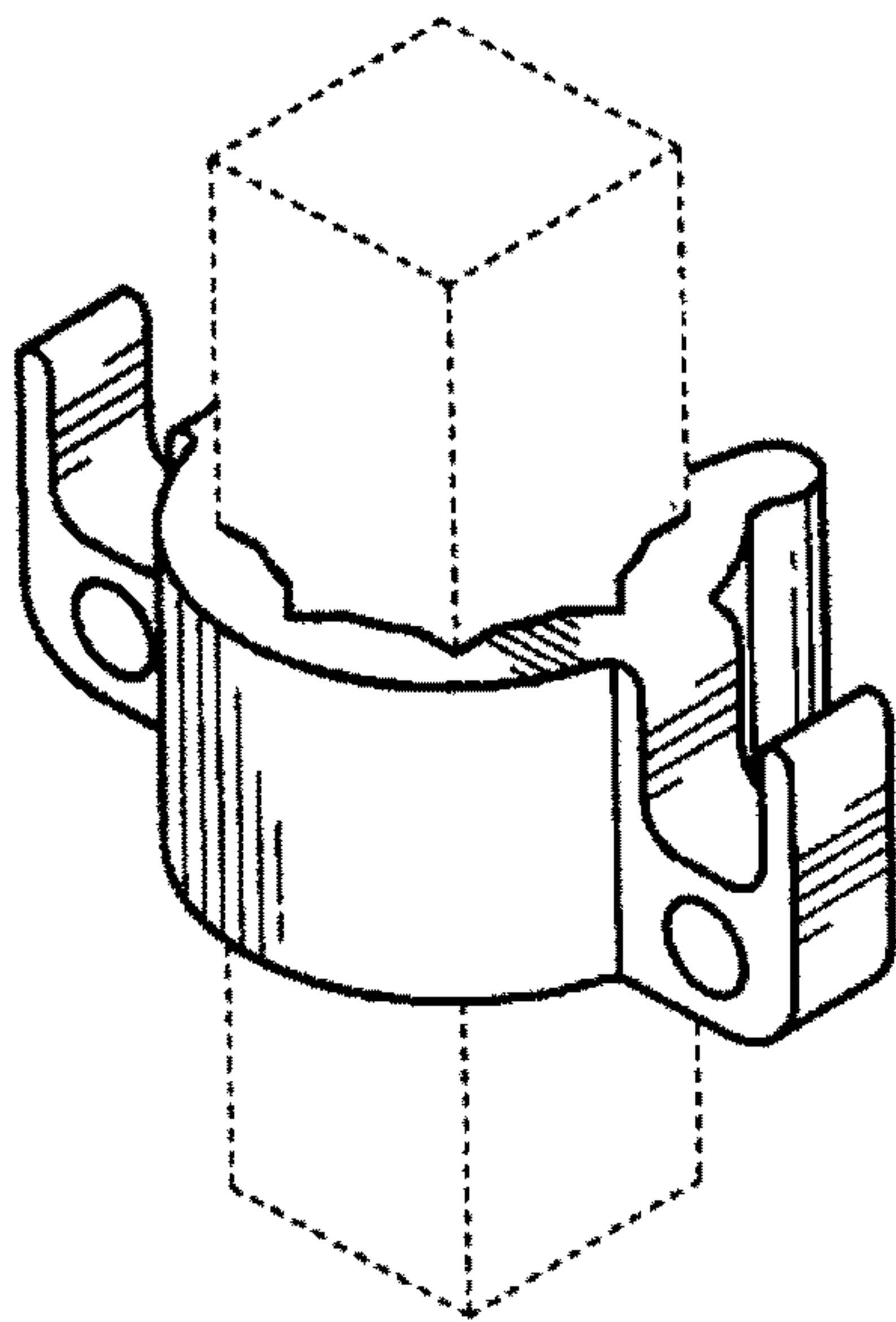


FIG. 9

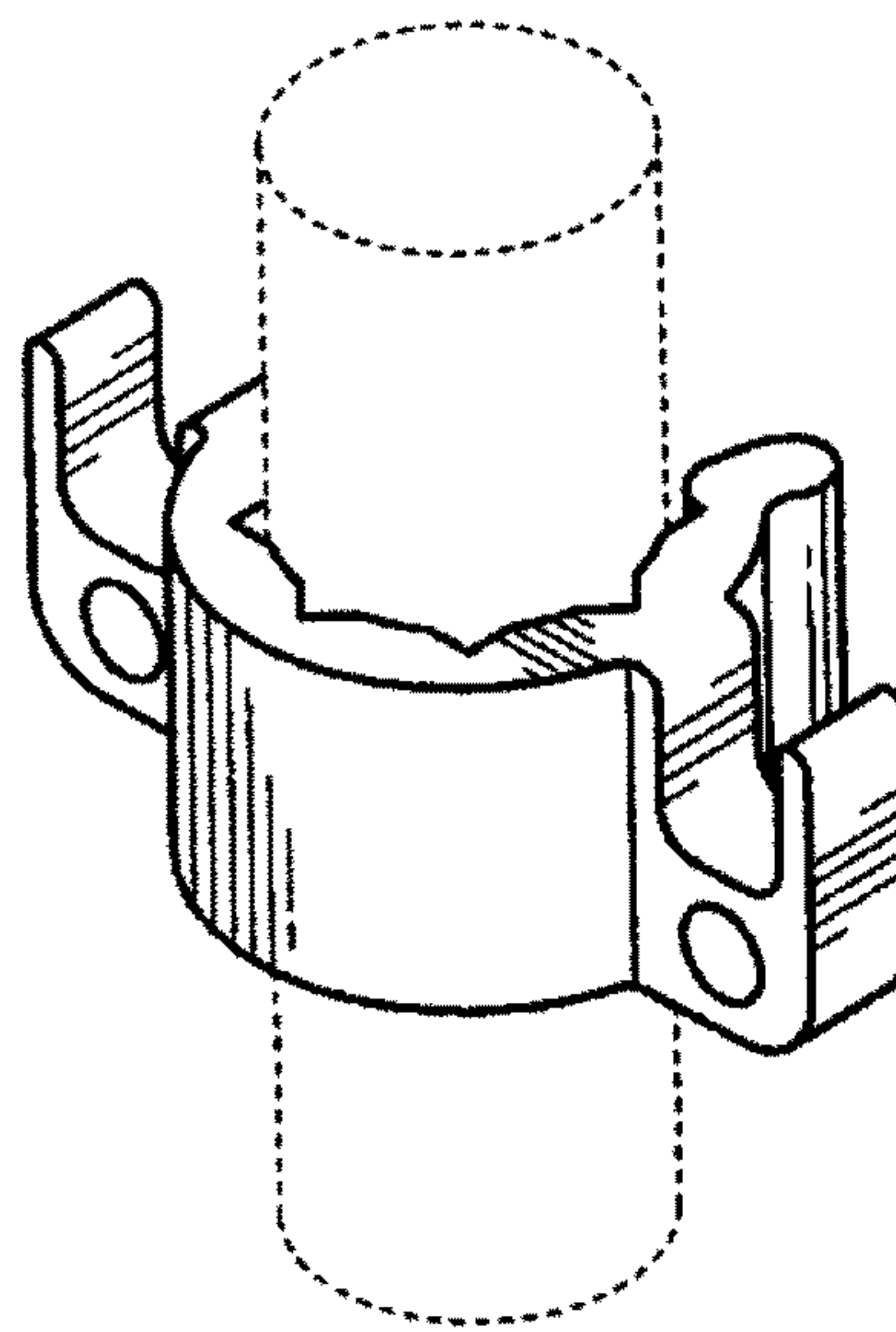


FIG. 10

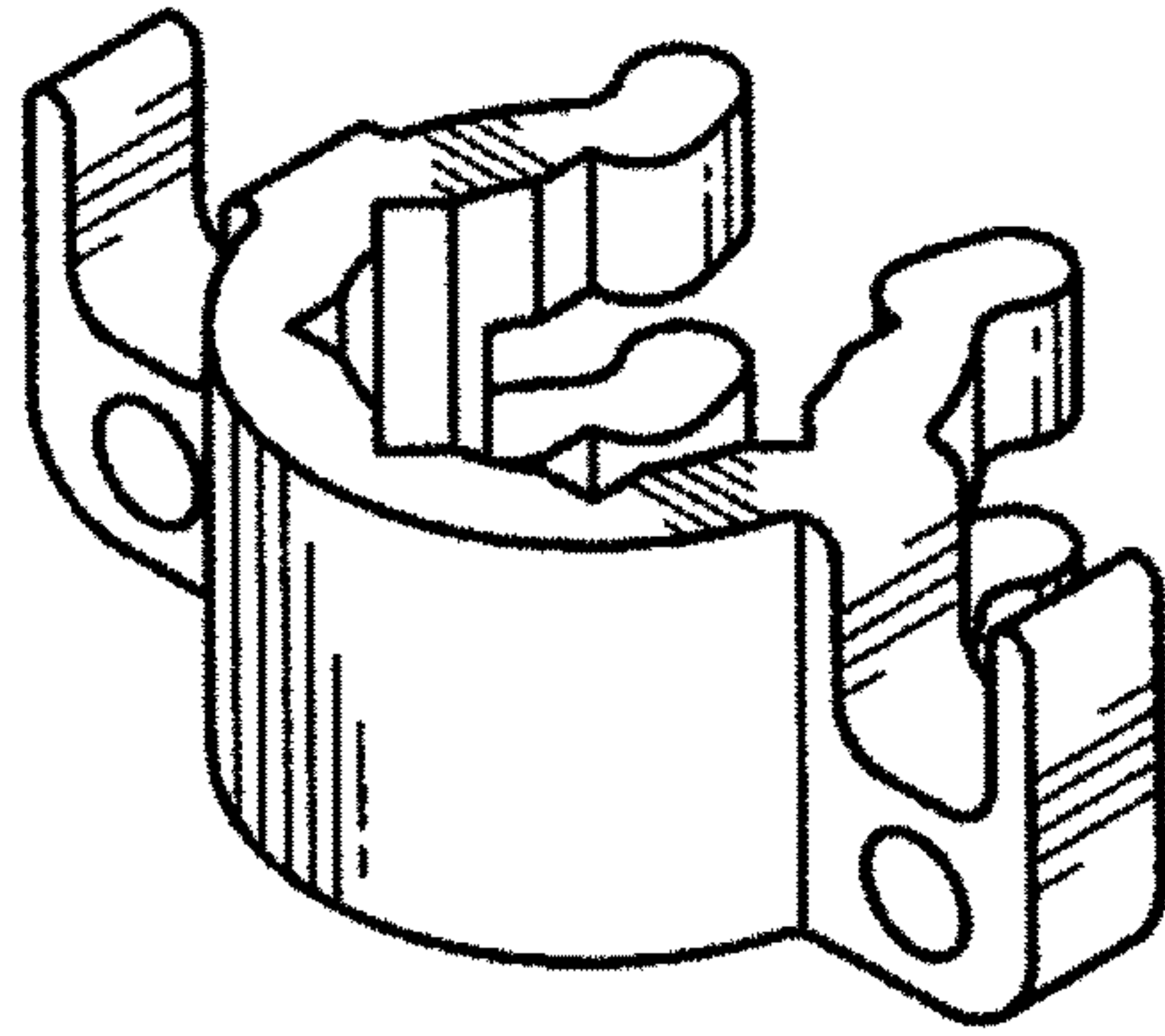


FIG. 11

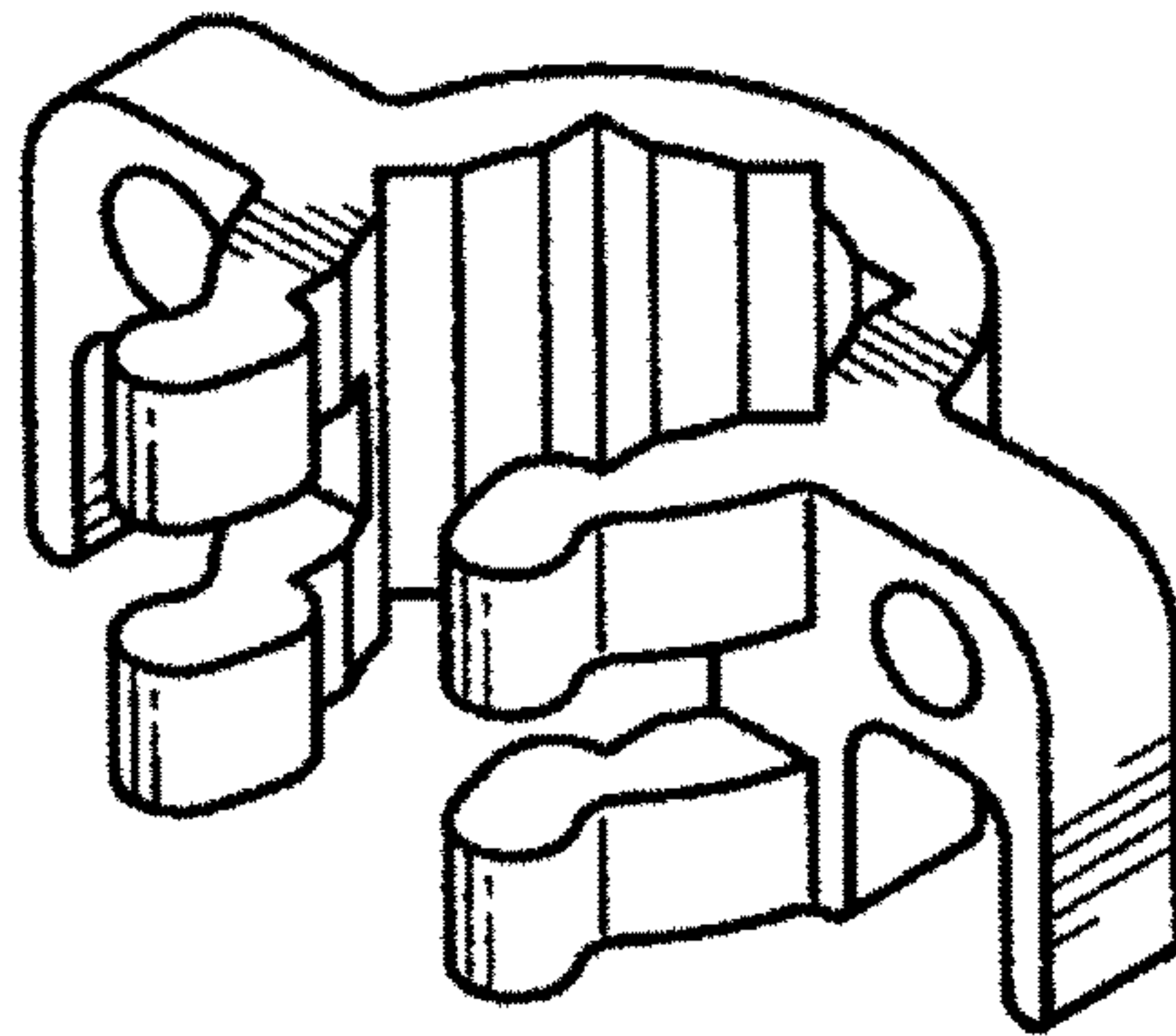


FIG. 12

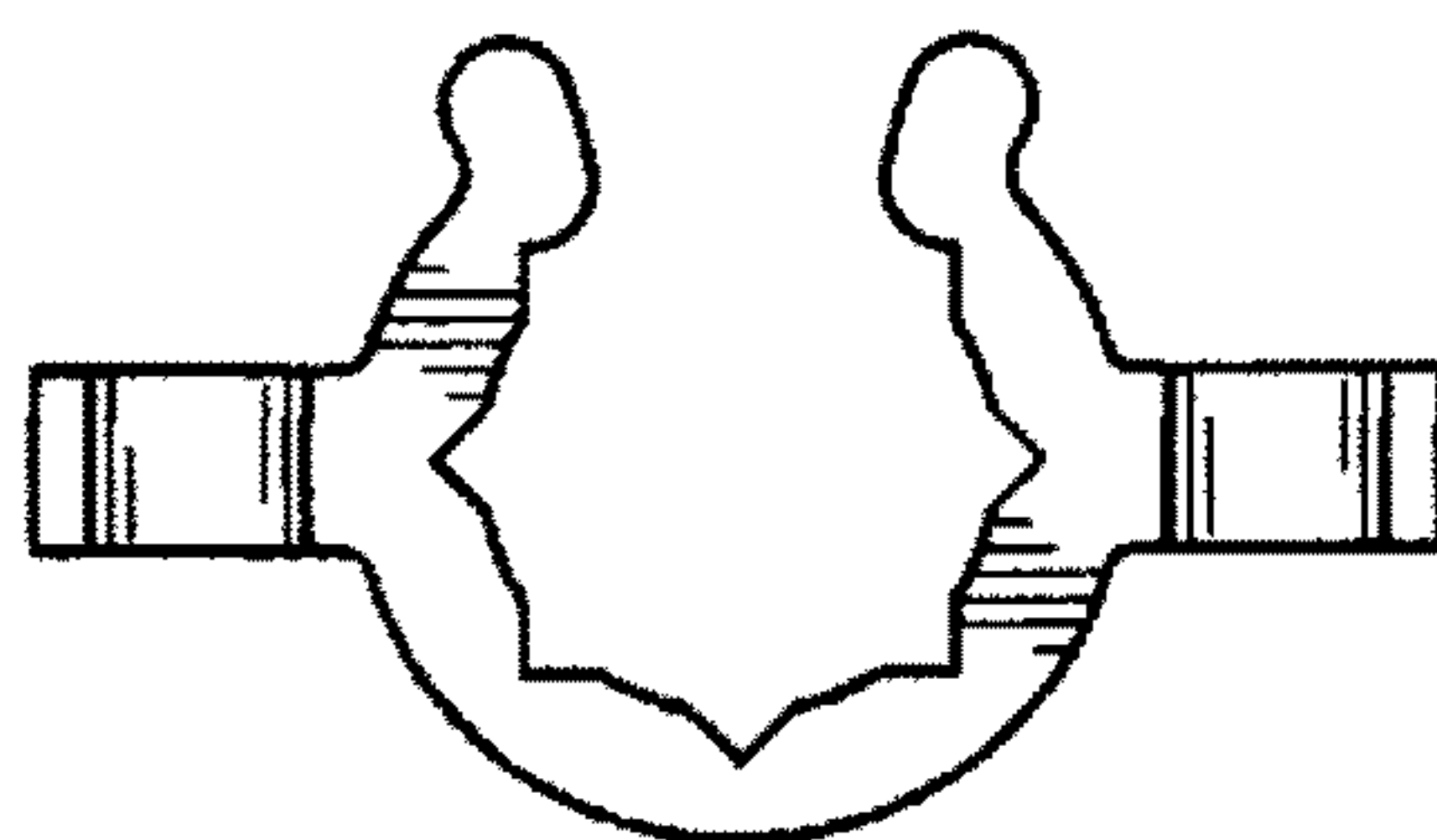


FIG. 13



FIG. 14

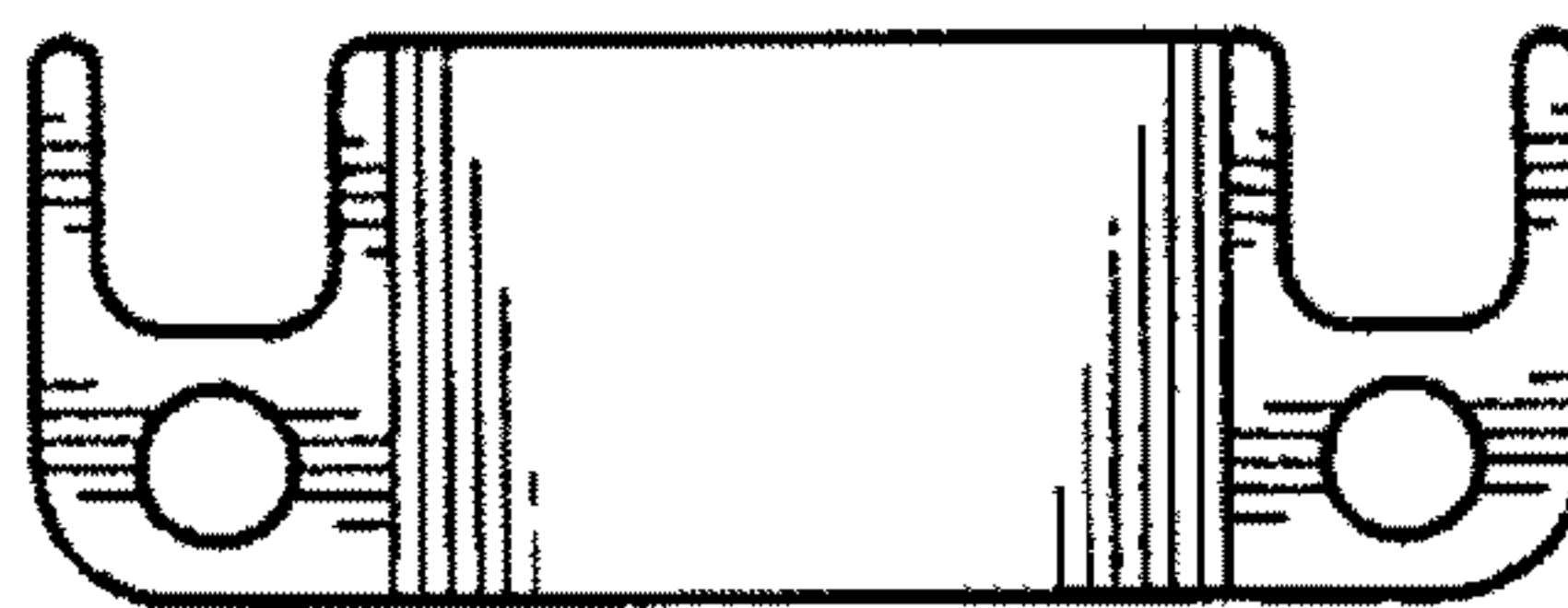


FIG. 15

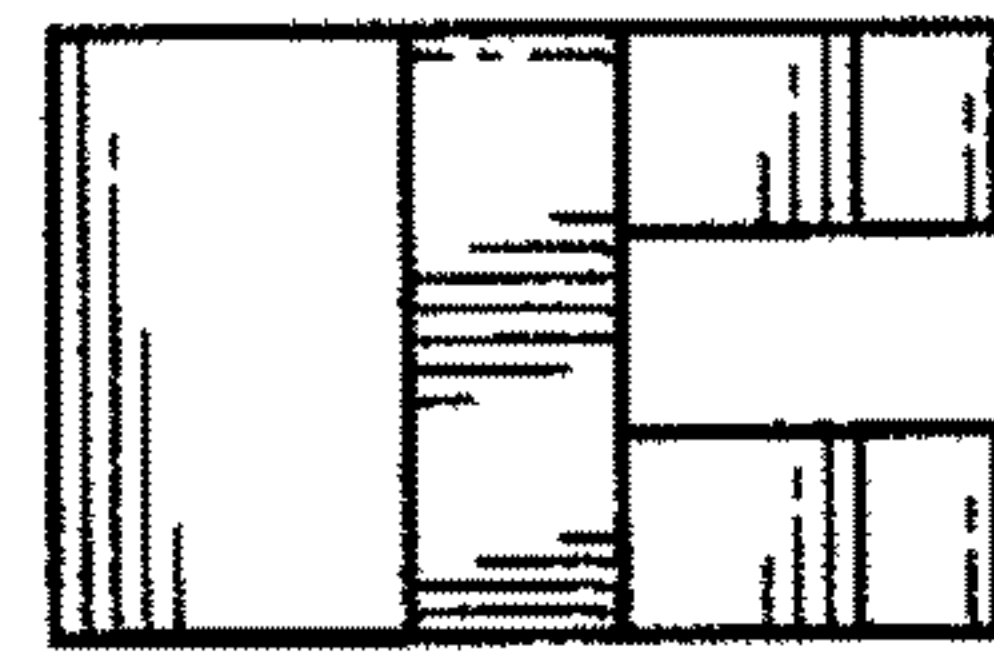


FIG. 16

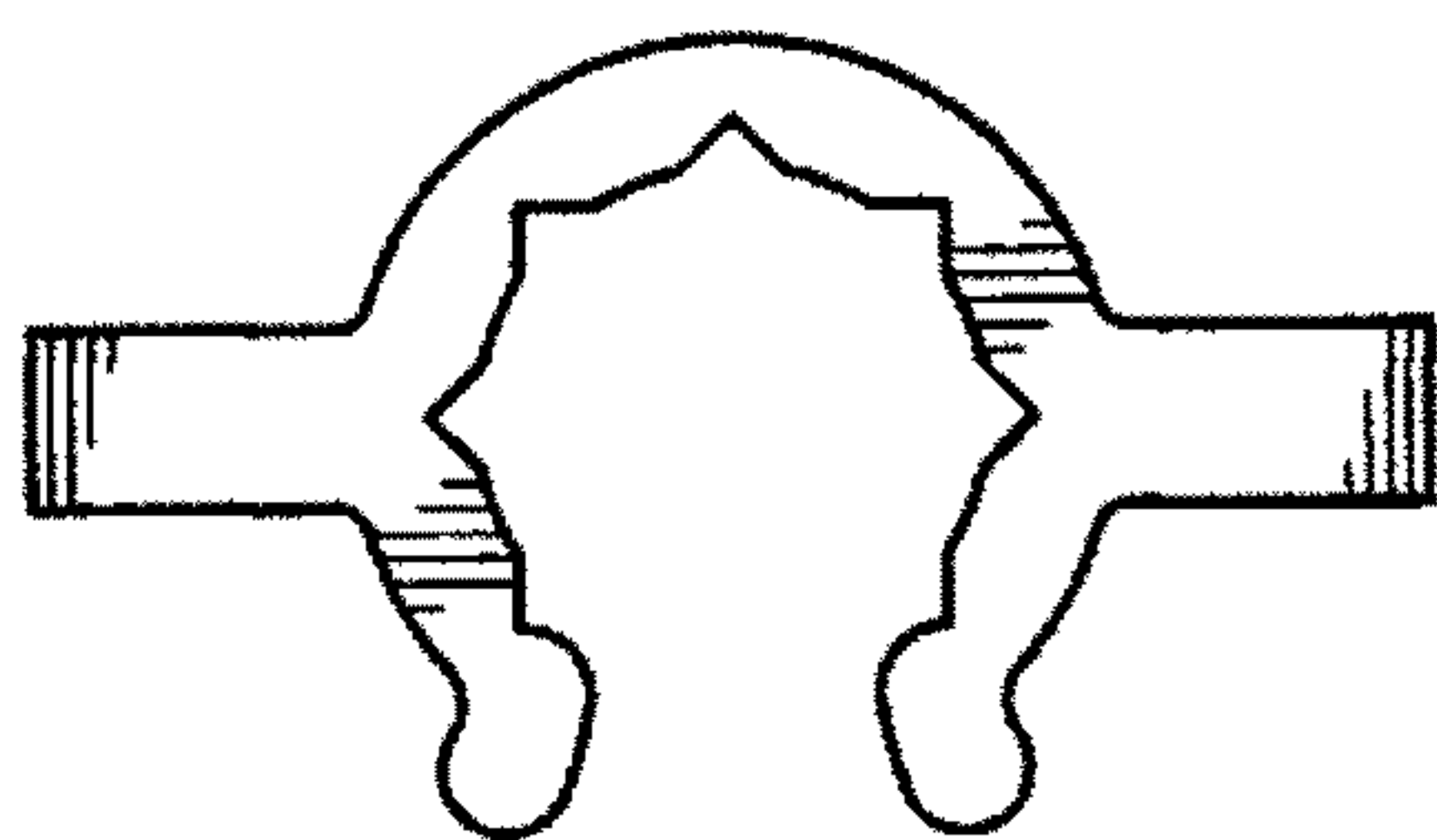


FIG. 17

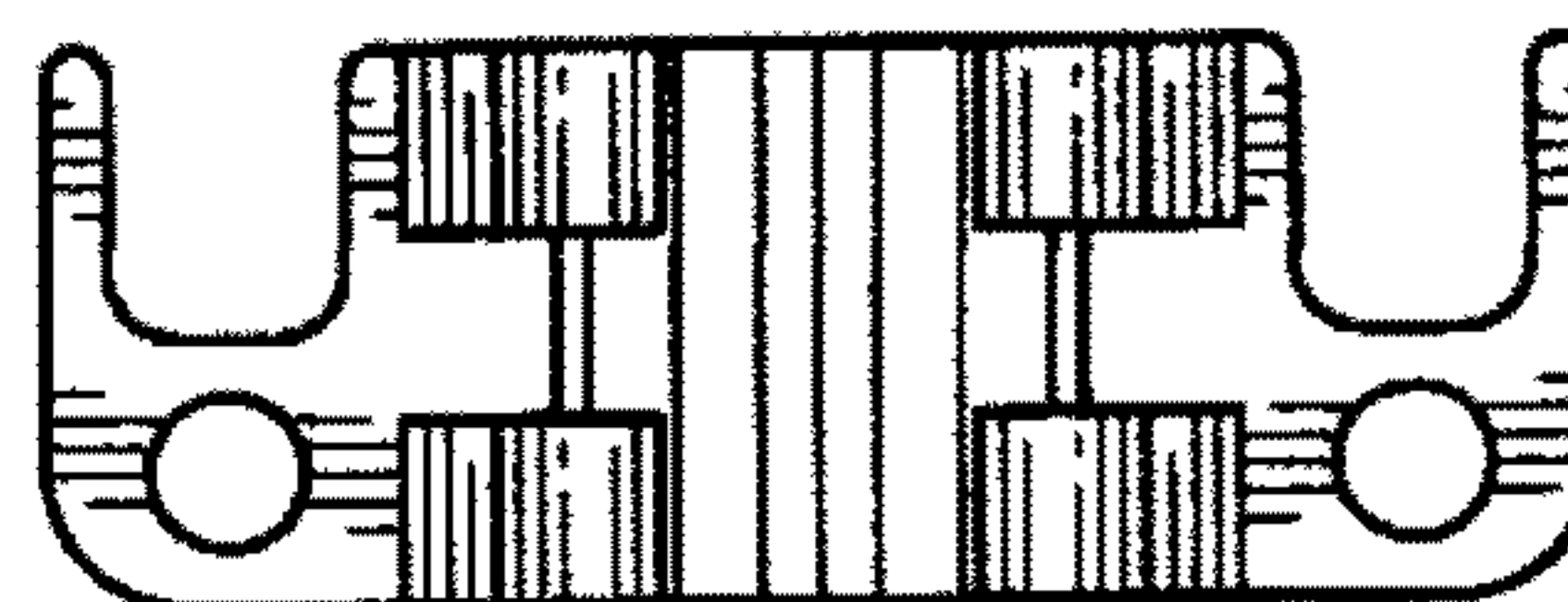


FIG. 18

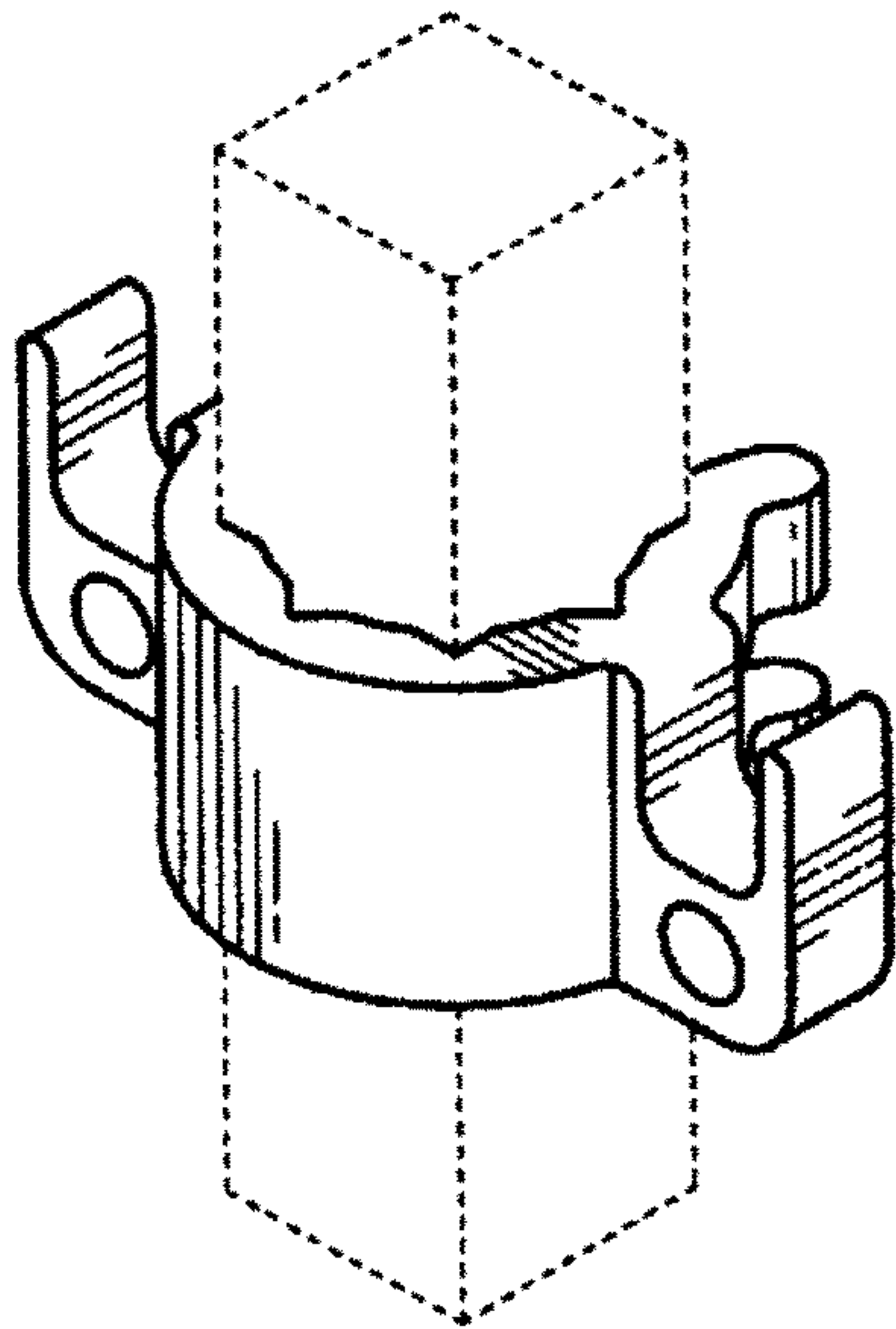


FIG. 19

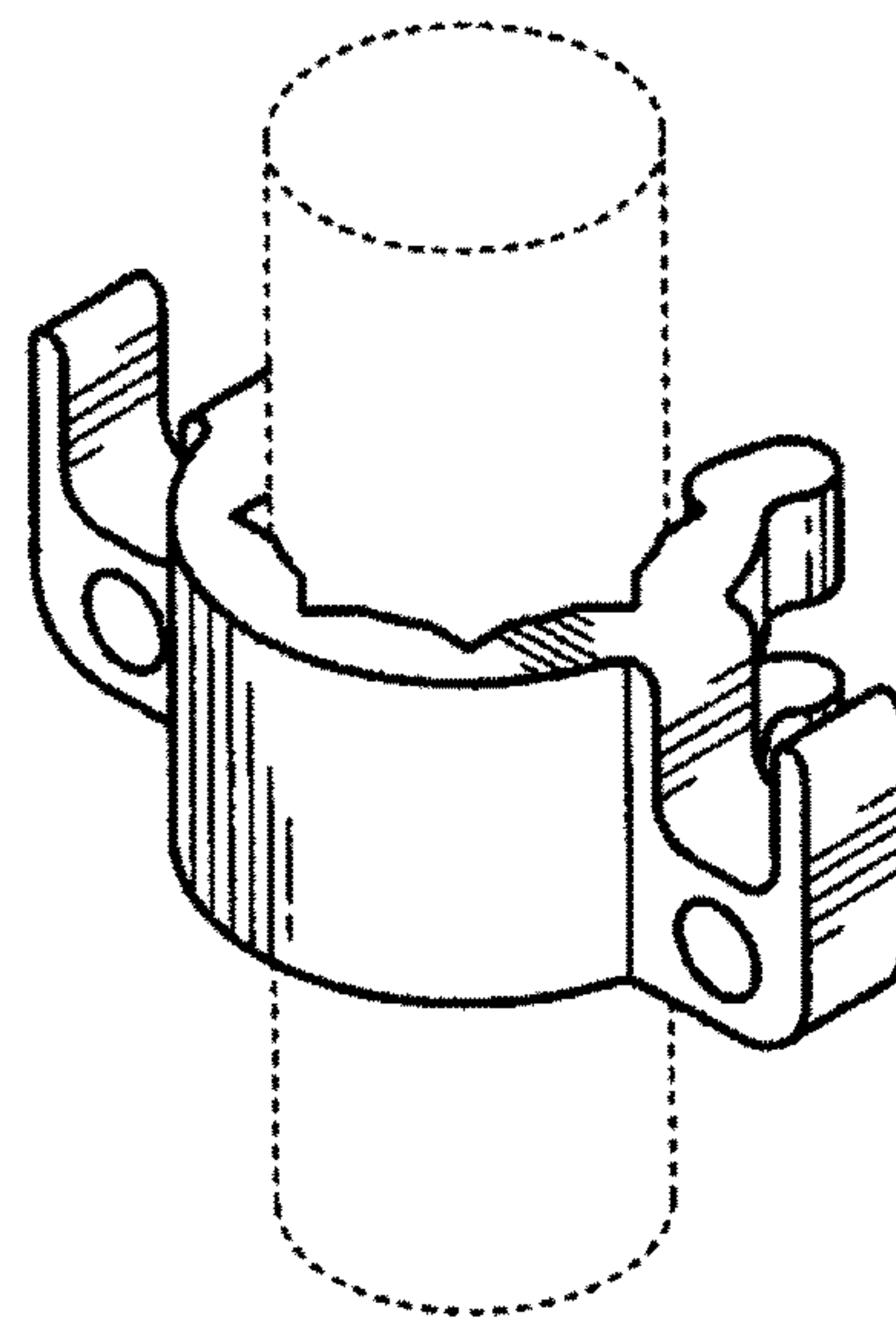


FIG. 20