



US00D836427S

(12) **United States Design Patent** (10) **Patent No.:** **US D836,427 S**  
**Heindl** (45) **Date of Patent:** **\*\* \*Dec. 25, 2018**

- (54) **SHEET PILE CONNECTOR**
- (71) Applicant: **Richard Heindl**, Gräfelfing (DE)
- (72) Inventor: **Richard Heindl**, Gräfelfing (DE)
- (\*) Notice: This patent is subject to a terminal disclaimer.
- (\*\*) Term: **15 Years**
- (21) Appl. No.: **29/608,190**
- (22) Filed: **Jun. 20, 2017**
- (30) **Foreign Application Priority Data**

- D526,888 S 8/2006 Heindl
- D527,248 S 8/2006 Heindl et al.
- D527,619 S 9/2006 Heindl et al.
- D540,660 S 4/2007 Heindl
- D540,661 S 4/2007 Heindl
- D541,639 S 5/2007 Heindl
- D541,640 S 5/2007 Heindl
- D541,641 S 5/2007 Heindl
- D541,642 S 5/2007 Heindl
- D542,634 S 5/2007 Heindl
- D542,635 S 5/2007 Heindl
- D542,636 S 5/2007 Heindl
- D542,637 S 5/2007 Heindl
- D542,638 S 5/2007 Heindl
- D542,639 S 5/2007 Heindl
- D542,640 S 5/2007 Heindl
- D542,641 S 5/2007 Heindl

(Continued)

Dec. 20, 2016 (EM) ..... 003527803-0001

- (51) **LOC (11) Cl.** ..... **08-08**
- (52) **U.S. Cl.**  
USPC ..... **D8/382**
- (58) **Field of Classification Search**  
USPC ..... D8/382, 394, 395; D25/119  
CPC .... E02D 5/02; E02D 5/04; E02D 5/06; E02D  
5/08; E02D 5/12; Y10T 403/73  
See application file for complete search history.

(56) **References Cited**  
U.S. PATENT DOCUMENTS

- 3,225,407 A \* 12/1965 Daniels ..... D06C 3/04  
160/392
- D242,986 S 1/1977 Inglis
- D331,007 S 11/1992 Roick
- D401,005 S 11/1998 Ludbrook et al.
- D421,137 S 2/2000 Marshall
- 6,428,244 B1 8/2002 Wall
- D471,083 S 3/2003 Wall
- D471,793 S 3/2003 Wall
- D471,794 S 3/2003 Wall
- D472,455 S 4/2003 Wall
- D517,905 S 3/2006 Wall

**OTHER PUBLICATIONS**

Non-final Office Action issued in co-pending U.S. Appl. No. 29/588,000 dated Sep. 20, 2017.

(Continued)

*Primary Examiner* — Sandra S Snapp  
*Assistant Examiner* — Ieisha N Price  
(74) *Attorney, Agent, or Firm* — Meunier Carlin & Curfman LLC

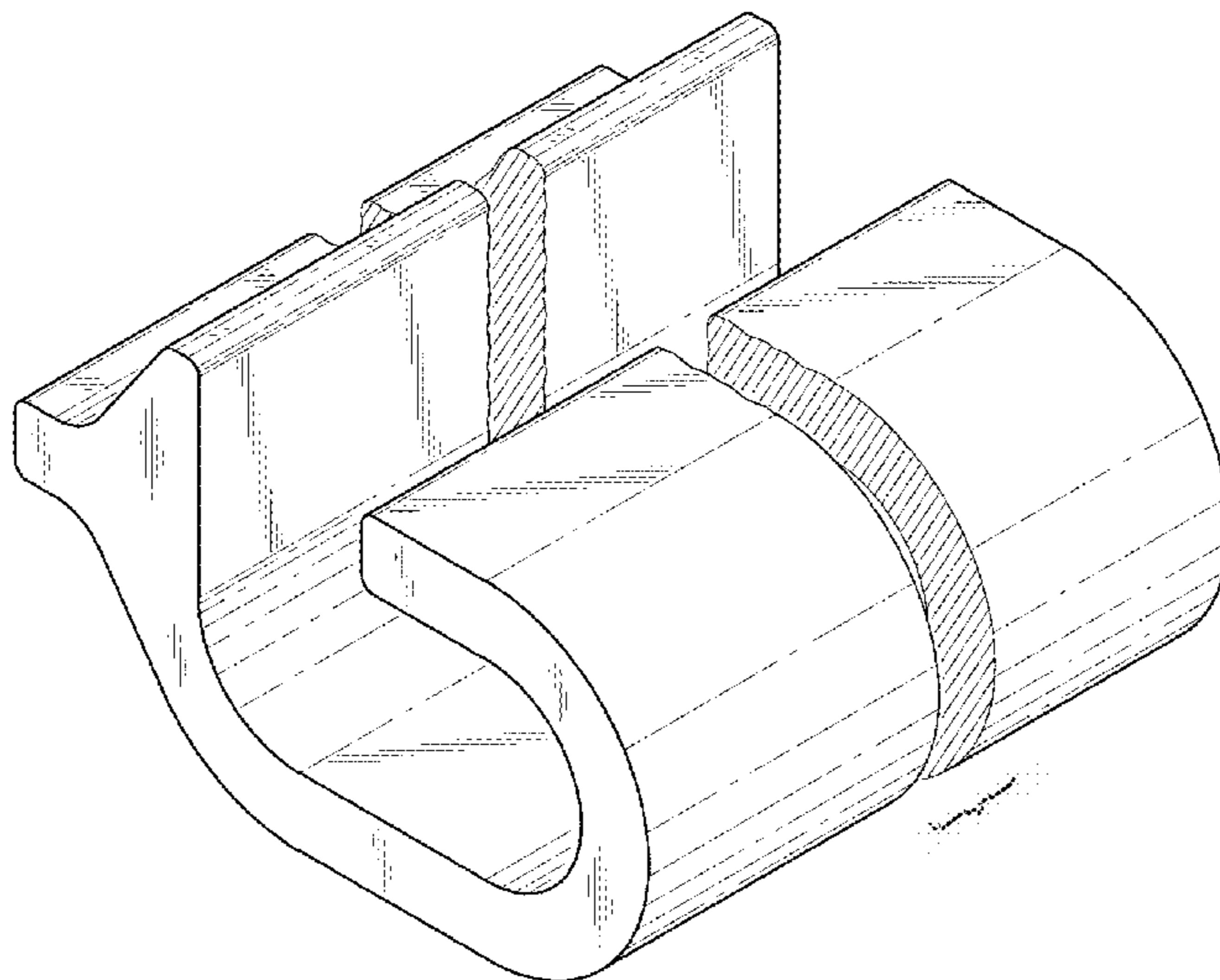
(57) **CLAIM**

The ornamental design for a sheet pile connector, as shown and described.

**DESCRIPTION**

FIG. 1 illustrates a front perspective view of my design; and, FIG. 2 illustrates a side view of the design shown in FIG. 1. The appearance of any portion of the article between the break lines shown in FIG. 1 forms no part of the claimed design.

**1 Claim, 2 Drawing Sheets**



(56)

References Cited

U.S. PATENT DOCUMENTS

D542,643 S 5/2007 Heindl  
 D543,097 S 5/2007 Heindl  
 D543,098 S 5/2007 Heindl  
 D543,099 S 5/2007 Heindl  
 D543,100 S 5/2007 Heindl  
 D543,101 S 5/2007 Heindl  
 D543,444 S 5/2007 Heindl  
 7,527,456 B2 5/2009 Heindl  
 D621,248 S 8/2010 Heindl  
 D623,930 S 9/2010 Austro  
 D623,932 S 9/2010 Austro  
 D624,395 S 9/2010 Austro  
 D626,826 S 11/2010 Austro  
 D626,827 S 11/2010 Austro  
 D640,533 S 6/2011 Austro  
 D640,534 S 6/2011 Austro  
 D649,443 S 11/2011 Heindl  
 D665,658 S 8/2012 Heindl  
 D665,660 S \* 8/2012 Heindl ..... D8/382  
 D666,484 S \* 9/2012 Heindl ..... D8/382  
 D681,424 S 5/2013 Heindl  
 D681,425 S 5/2013 Heindl  
 D681,426 S 5/2013 Heindl  
 D681,427 S 5/2013 Heindl  
 D681,428 S 5/2013 Heindl  
 D681,431 S 5/2013 Heindl  
 D704,769 S 5/2014 Penington  
 D721,947 S 2/2015 Wendt  
 D737,116 S 8/2015 Prévost et al.  
 D782,903 S 4/2017 Heindl  
 D788,573 S 6/2017 Heindl et al.  
 D790,330 S 6/2017 Heindl

D794,245 S 8/2017 Klus  
 D798,134 S 9/2017 Heindl  
 D801,794 S 11/2017 Heindl  
 D807,159 S 1/2018 Heindl  
 D811,865 S 3/2018 Heindl  
 D811,866 S 3/2018 Heindl  
 D811,867 S 3/2018 Heindl  
 2008/0219776 A1 9/2008 Heindl et al.  
 2012/0269583 A1 10/2012 Heindl  
 2014/0112725 A1 4/2014 Wendt  
 2018/0044874 A1 2/2018 Courtright et al.

OTHER PUBLICATIONS

Notice of Allowance issued in co-pending U.S. Appl. No. 29/593,004 dated Nov. 9, 2017.  
 Notice of Allowance issued in co-pending U.S. Appl. No. 29/614,415 dated Jun. 28, 2018 (10 pages).  
 Notice of Allowance issued in co-pending U.S. Appl. No. 29/614,413, dated Jul. 2, 2018 (11 pages).  
 Notice of Allowance issued in co-pending U.S. Appl. No. 29/614,417, dated Jul. 2, 2018 (10 pages).  
 Notice of Allowance issued in co-pending U.S. Appl. No. 29/614,424, dated Jul. 2, 2018 (10 pages).  
 Notice of Allowance issued in co-pending U.S. Appl. No. 29/614,426, dated Jul. 2, 2018 (11 pages).  
 Notice of Allowance issued in co-pending U.S. Appl. No. 29/614,414, dated Jul. 12, 2018 (9 pages).  
 Notice of Allowance issued in co-pending U.S. Appl. No. 29/614,425, dated Jul. 2, 2018 (11 pages).  
 Notice of Allowance issued in co-pending U.S. Appl. No. 29/614,427, dated Jul. 2, 2018 (11 pages).

\* cited by examiner

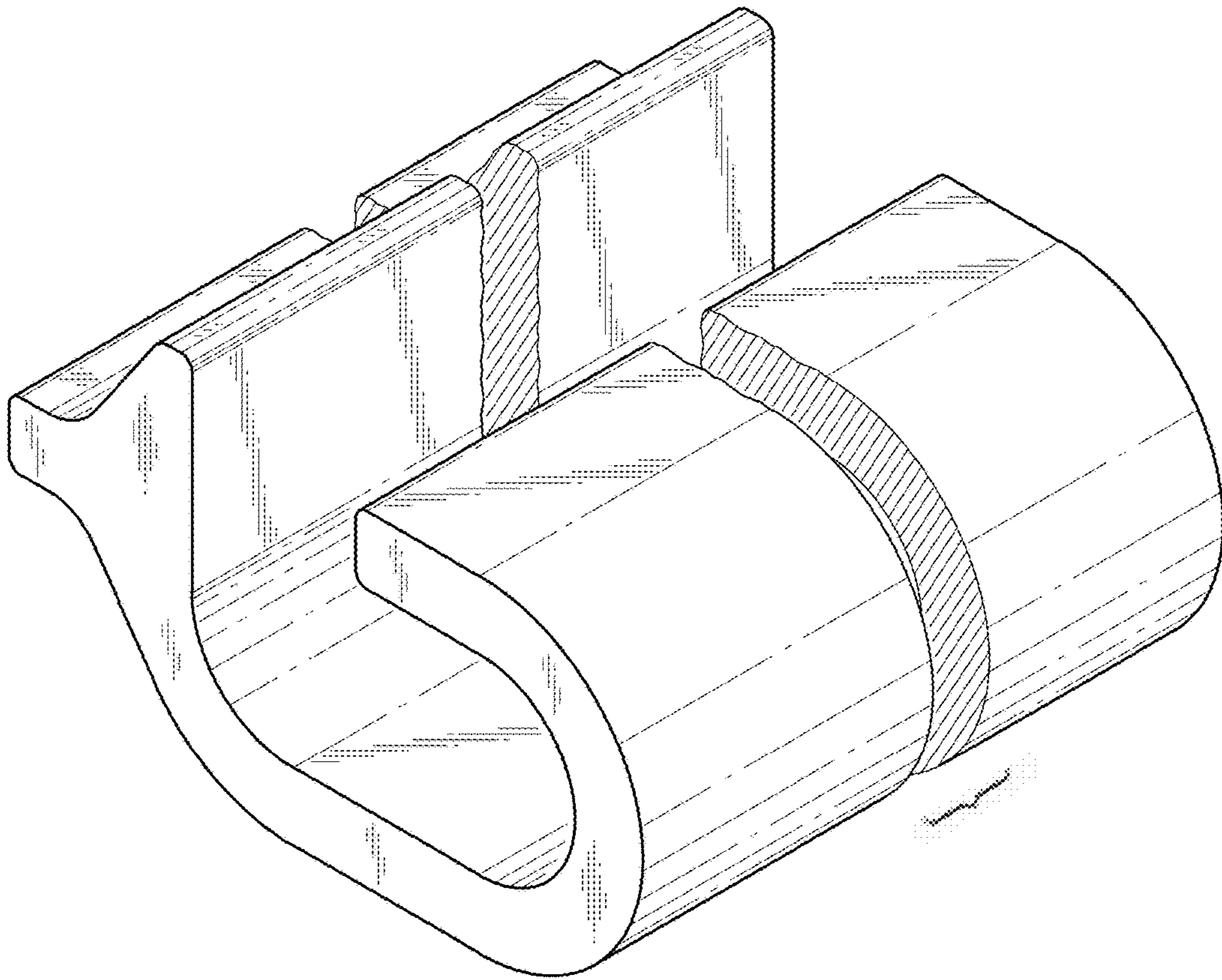


FIG. 1

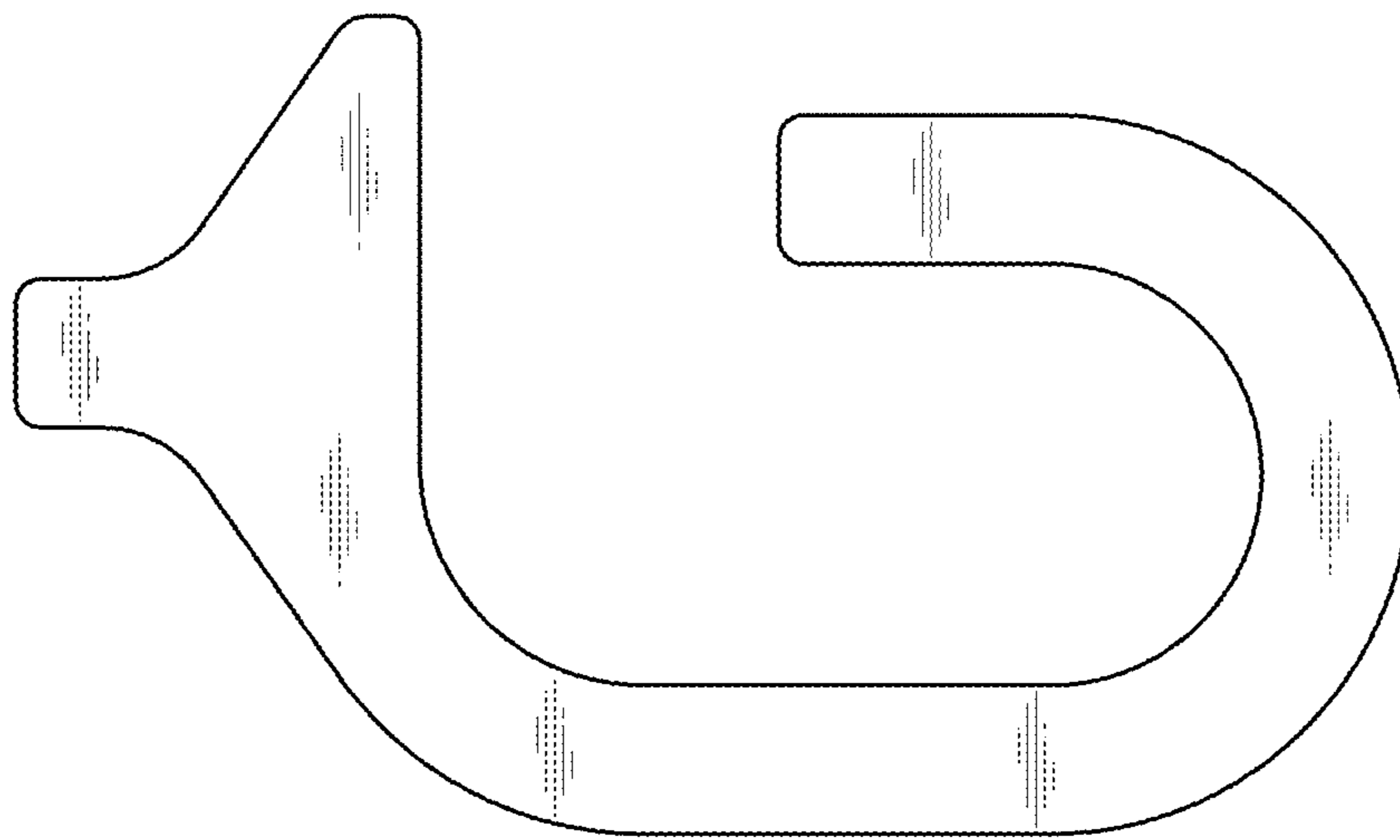


FIG. 2