



US00D836423S

(12) **United States Design Patent** (10) **Patent No.:** **US D836,423 S**
Kulik (45) **Date of Patent:** **** Dec. 25, 2018**

- (54) **FILM SPOOL**
- (71) Applicant: **Mark Kulik**, Hayward, CA (US)
- (72) Inventor: **Mark Kulik**, Hayward, CA (US)
- (**) Term: **15 Years**
- (21) Appl. No.: **29/656,935**
- (22) Filed: **Jul. 17, 2018**

D691,652 S *	10/2013	Castro	D16/311
D705,643 S *	5/2014	Siboni	D8/358
D741,448 S *	10/2015	Hancock	D22/140
D748,456 S *	2/2016	Siboni	D8/358
2012/0023647 A1 *	2/2012	Park	A61F 9/025 2/438

* cited by examiner

Primary Examiner — Philip S Hyder
Assistant Examiner — Ramzi S Almatrahi
(74) *Attorney, Agent, or Firm* — Gerald R. Prettyman

Related U.S. Application Data

- (63) Continuation-in-part of application No. 29/509,397, filed on Nov. 17, 2014.

(51) **LOC (11) Cl.** **08-05**

(52) **U.S. Cl.**
USPC **D8/358**

(58) **Field of Classification Search**
USPC D16/101, 300–342; D29/103–111;
D3/18, 20, 23, 24; D8/358, 359; 2/438,
2/432; 396/311, 387
CPC G03B 17/02; G03B 17/24; G03B 17/30;
A42B 3/04; A42B 3/0406; A42B 3/042;
A42B 3/185; A42B 3/30; A42B 3/18;
A42B 3/24; A61F 9/025; A61F 9/029
See application file for complete search history.

(56) **References Cited**

U.S. PATENT DOCUMENTS

D244,808 S *	6/1977	Ubermuth	242/118.4
5,412,446 A *	5/1995	Rydelek	G03B 19/04 242/332.7
D358,931 S *	6/1995	Vanhuyse	D3/24
6,416,177 B1 *	7/2002	Gibson	B08B 17/04 351/41
D504,307 S *	4/2005	Dayan	D3/24
D582,754 S *	12/2008	Stein	D8/358
D625,172 S *	10/2010	Pauwels	D8/358
D655,369 S *	3/2012	Hafner	D22/137

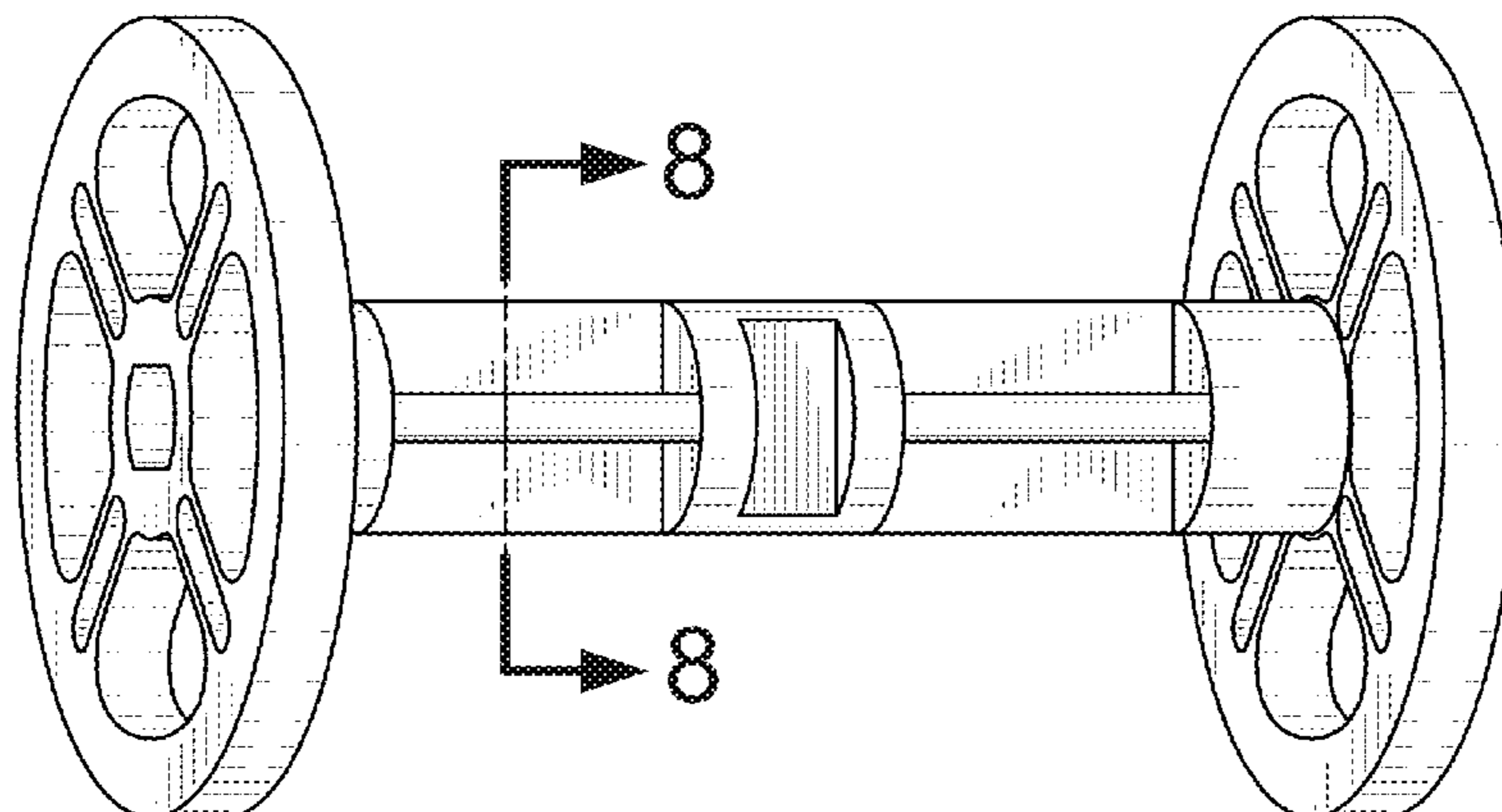
(57) **CLAIM**

The ornamental design for a film spool, as shown and described.

DESCRIPTION

This application is related to U.S. Utility application Ser. No. 14/543,794, now U.S. Pat. No. 9,708,154, issued Jul. 18, 2017 and titled “Off-Road Rolling Film Vision System”. This application is related to Design patent application Ser. Nos. 29/509,398 titled “Takeup Module Housing;” 29/509,401 titled “Rollout Module Housing;” and 29/509,403 titled “Controller Housing;” all filed Nov. 17, 2014; and to U.S. Utility application Ser. No. 14/967,150 filed Dec. 11, 2015, and to U.S. Utility application Ser. No. 15/650,864 filed Jul. 15, 2017, and to PCT/US2015/56987 filed Oct. 22, 2015. All applications have the same inventor and owner.
FIG. 1 is a front view of a film spool, showing my new design;
FIG. 2 is a back view thereof;
FIG. 3 is a top plan view thereof;
FIG. 4 is a bottom plan view thereof;
FIG. 5 is a left view thereof;
FIG. 6 is a right view thereof;
FIG. 7 is a front perspective view thereof; and,
FIG. 8 is a cross-sectional view thereof taken along line 8-8 of FIG. 7.

1 Claim, 3 Drawing Sheets



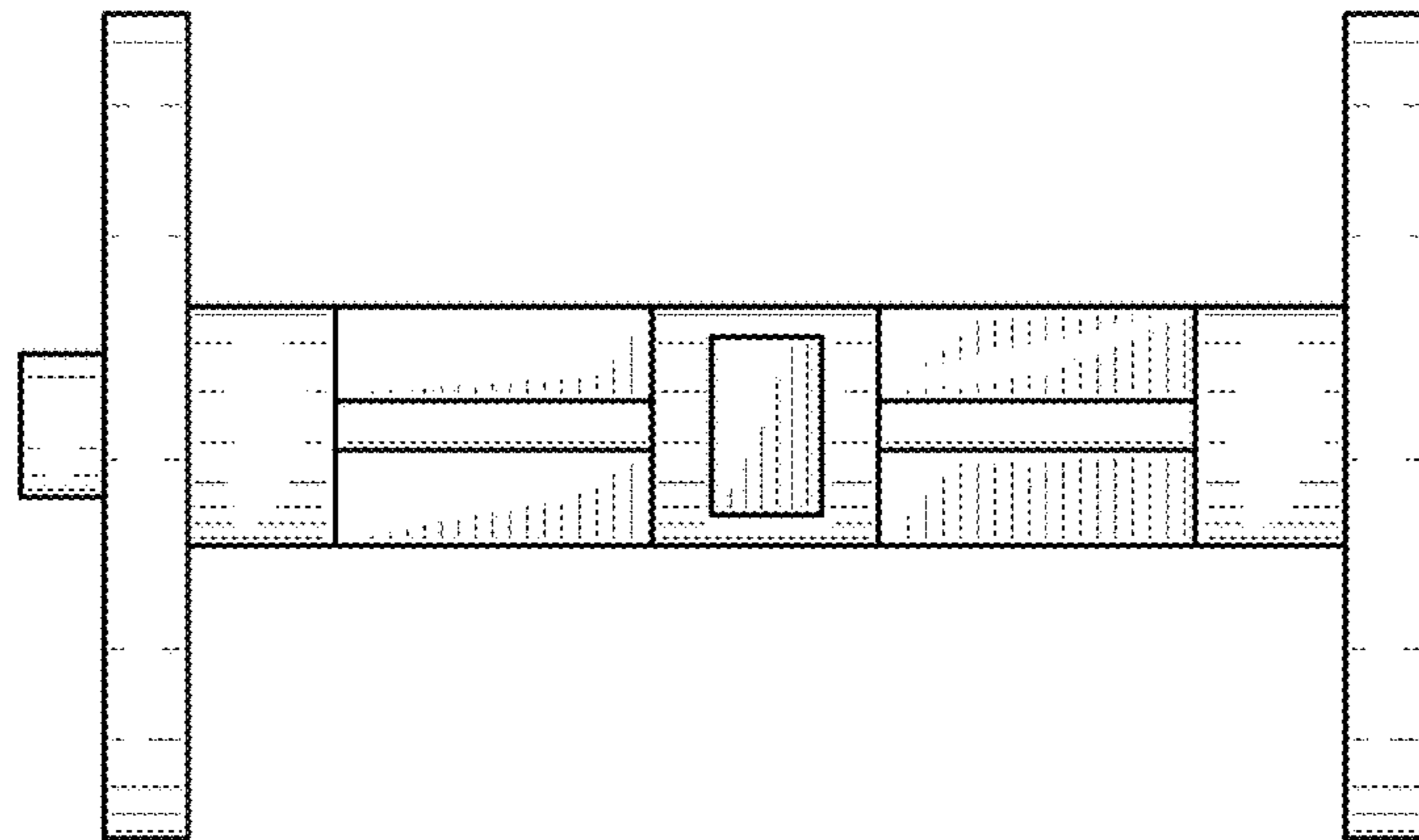


FIG. 1

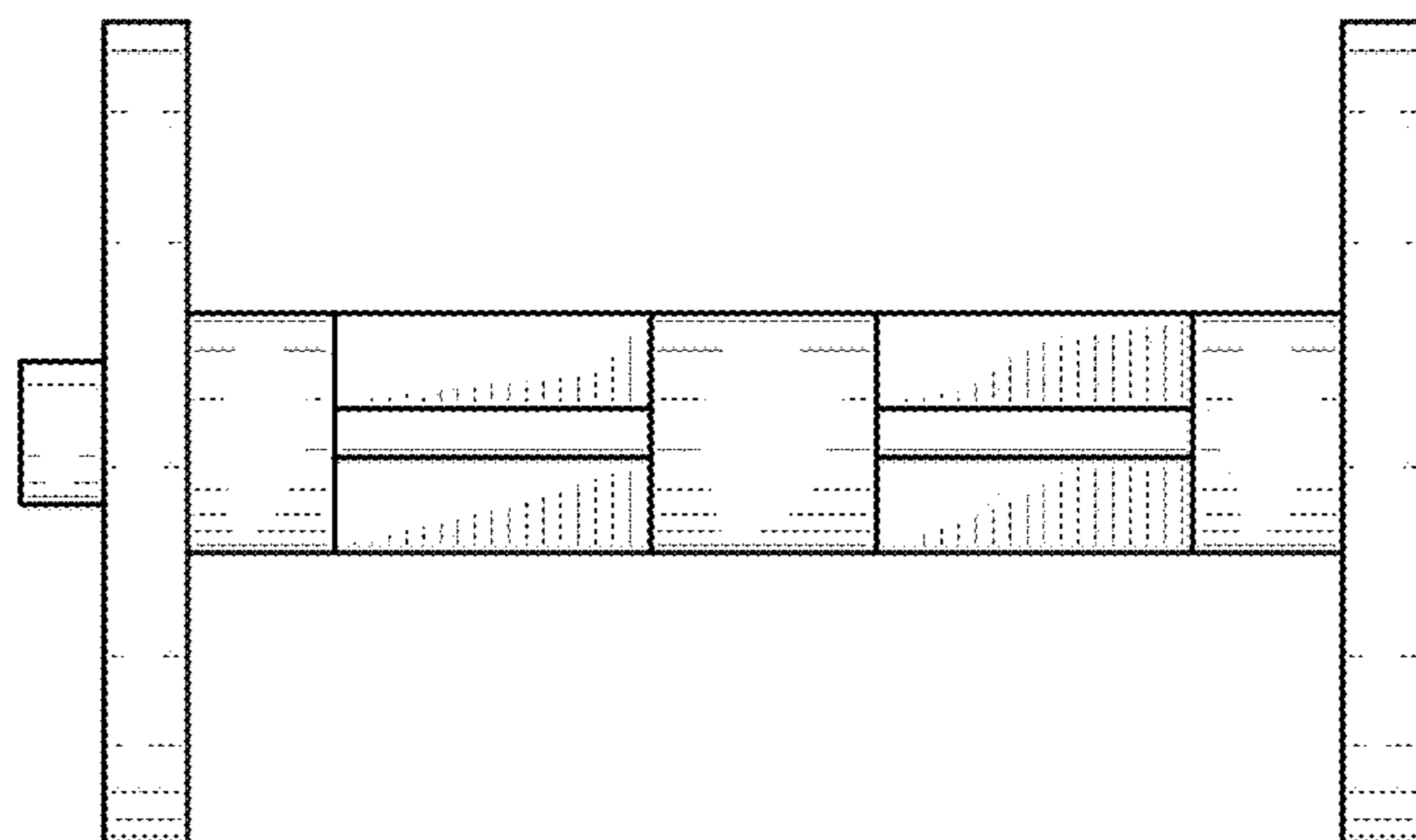


FIG. 2

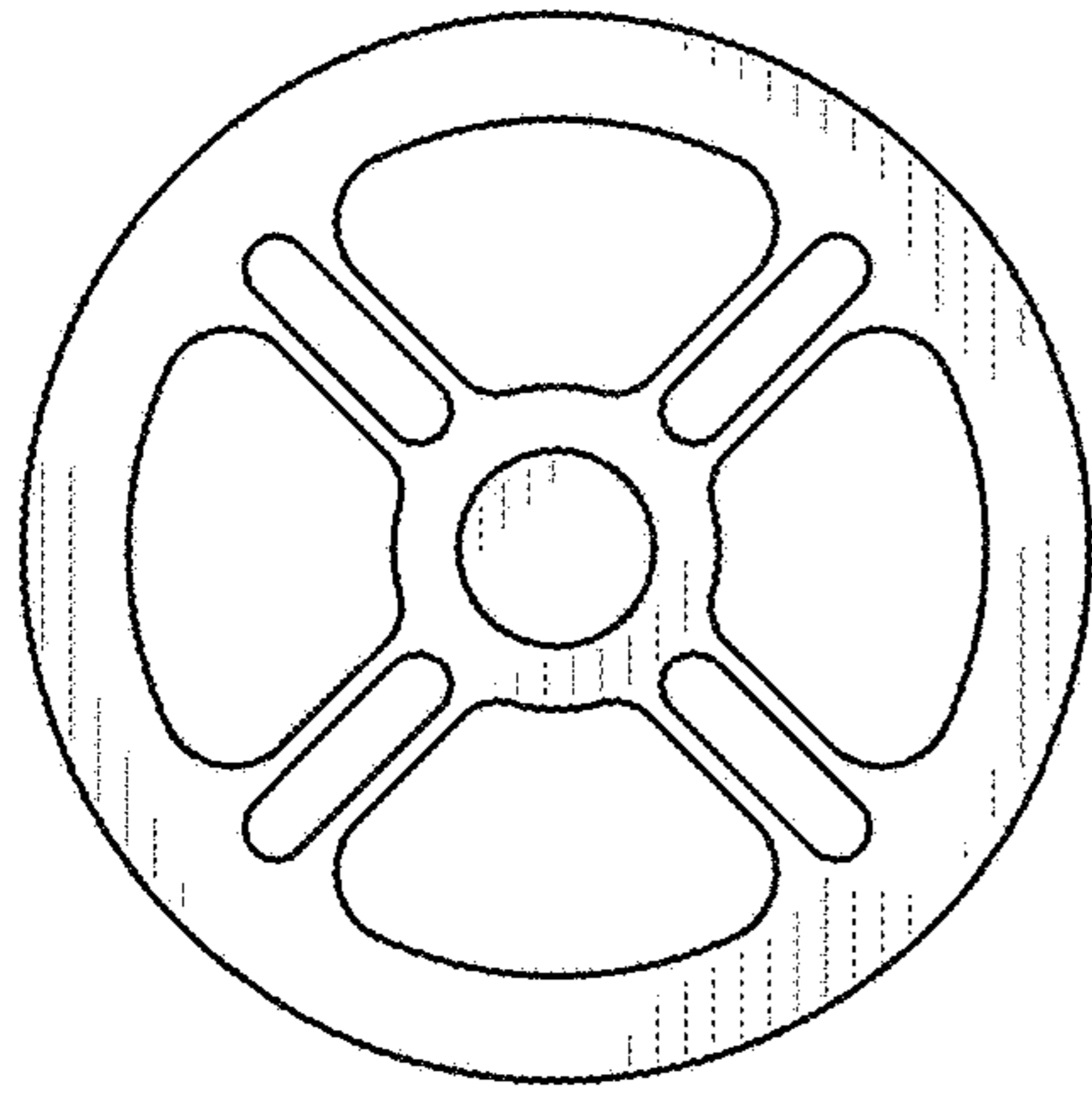


FIG. 3

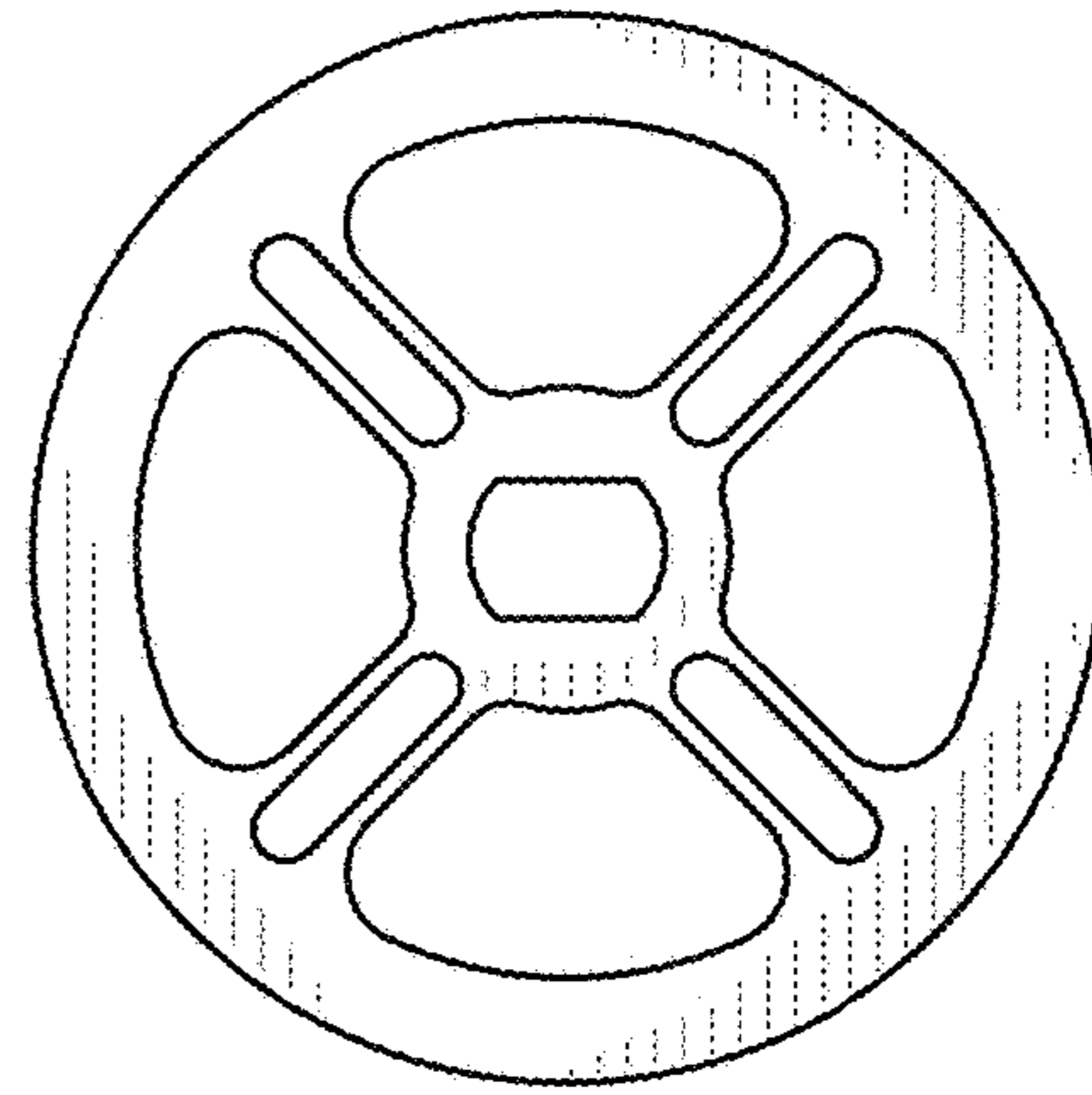


FIG. 4

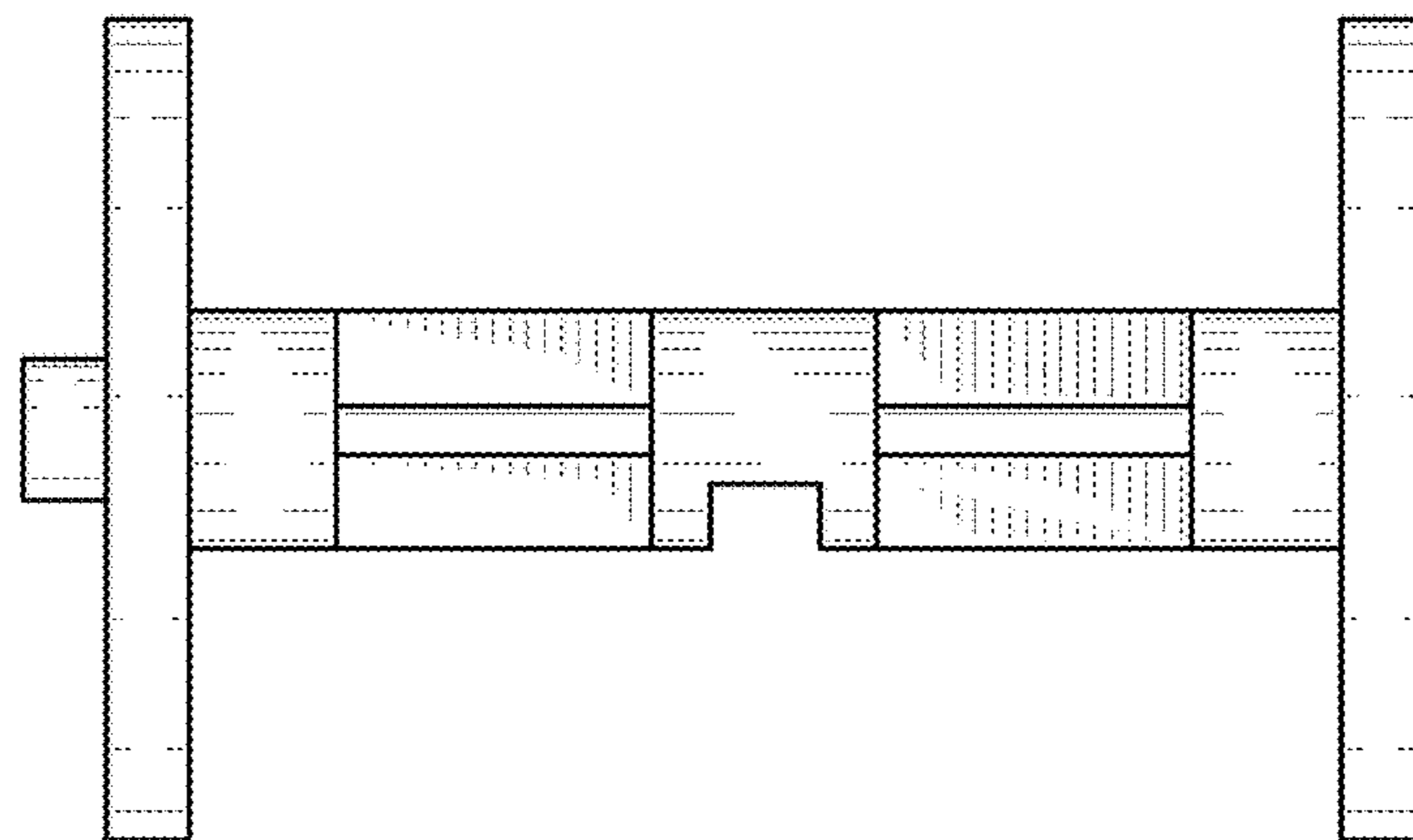


FIG. 5

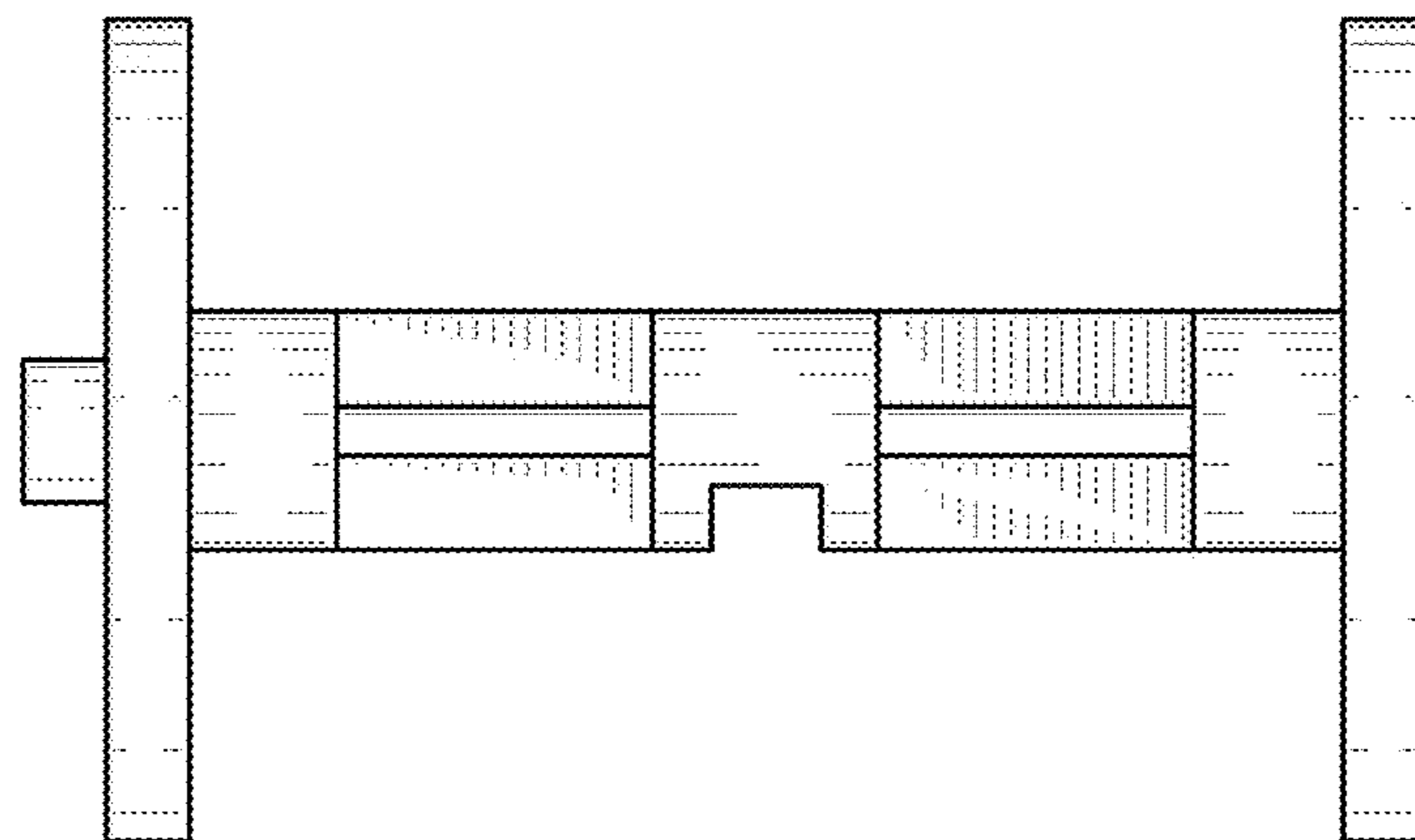


FIG. 6

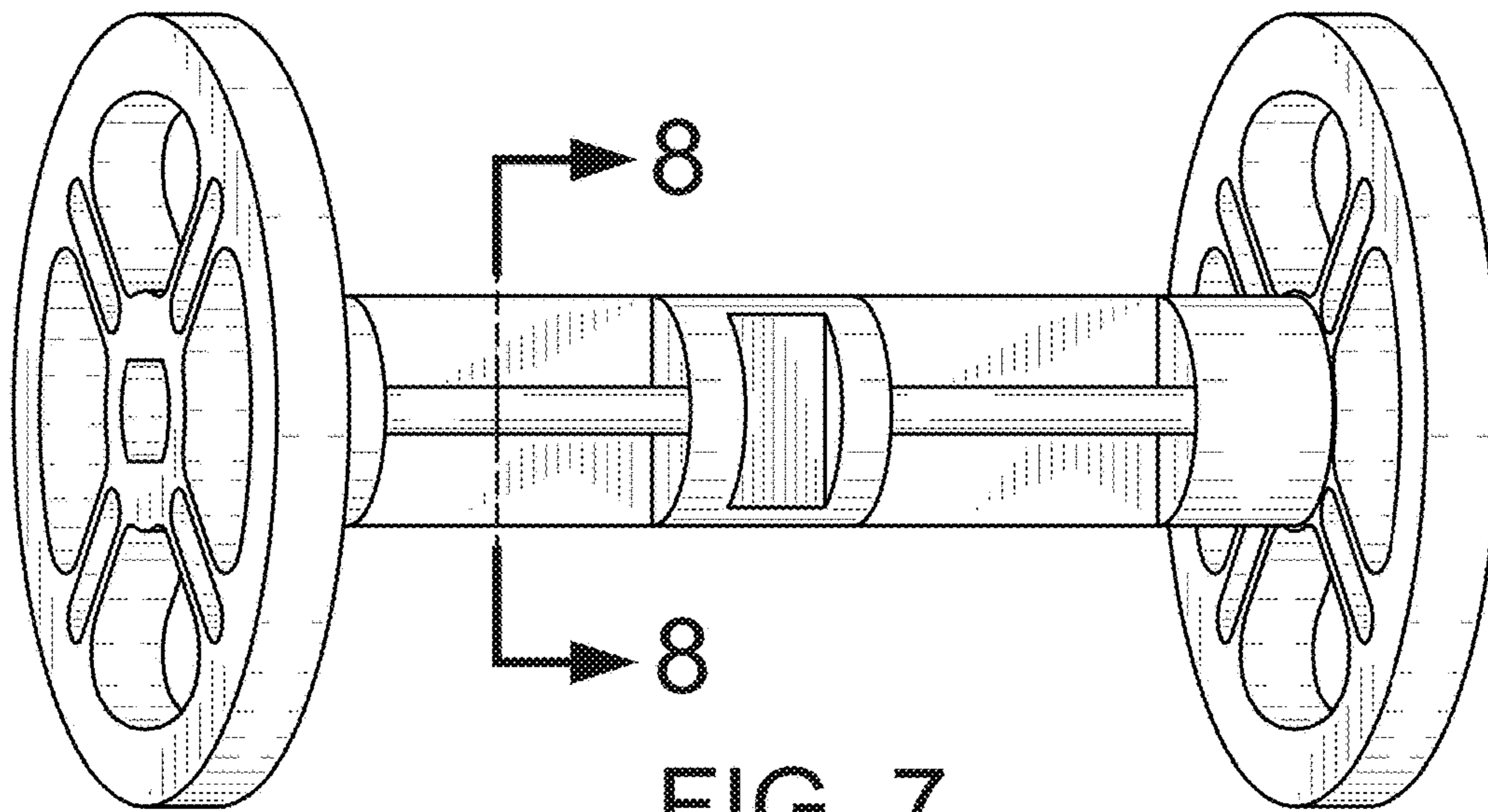


FIG. 7

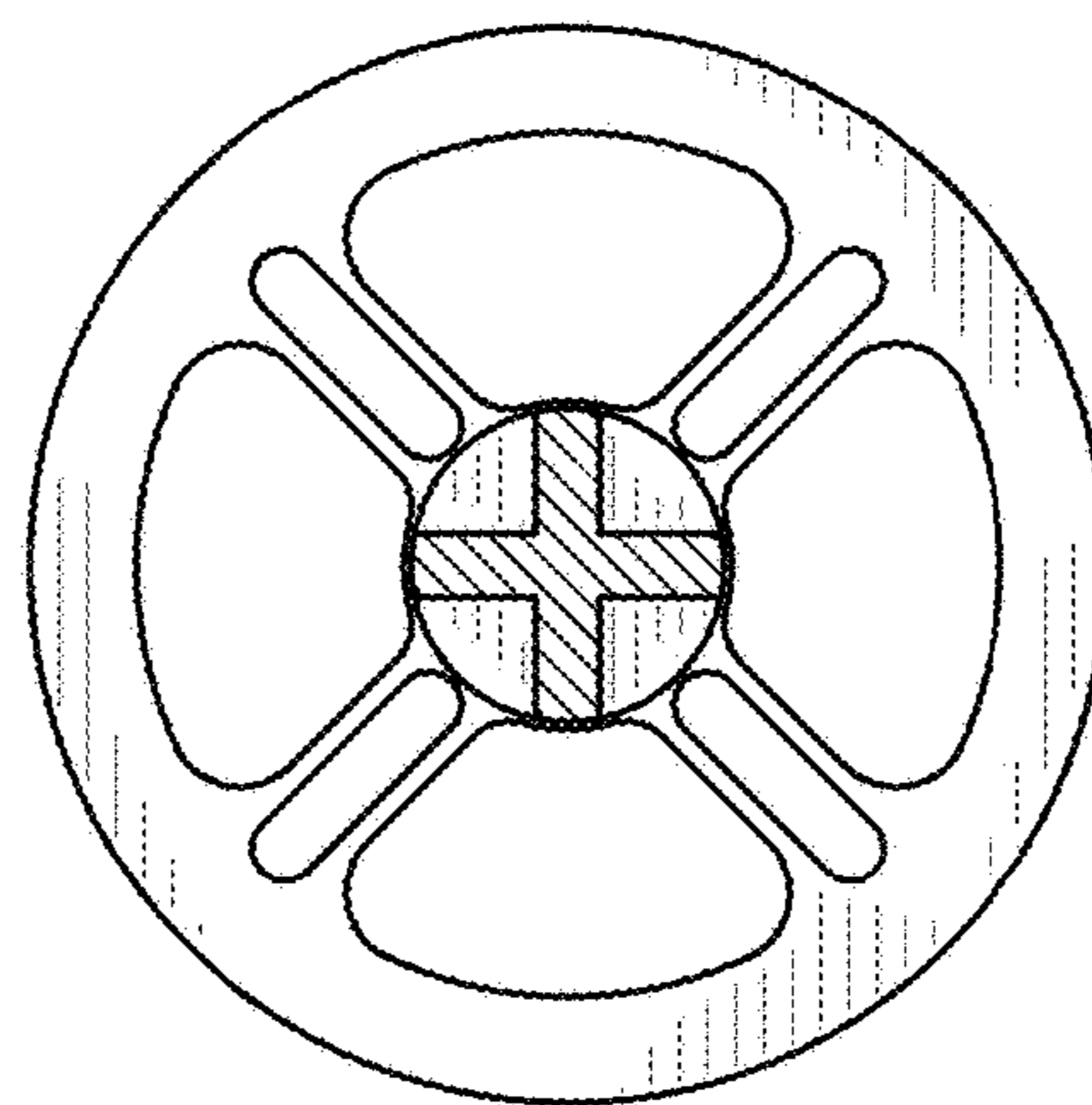


FIG. 8