

US00D836421S

(12) **United States Design Patent** (10) **Patent No.:** **US D836,421 S**
Luscombe et al. (45) **Date of Patent:** **** Dec. 25, 2018**

(54) **MOUNTING BRACKET**

(71) Applicant: **Polyplas International Pty Ltd,**
Victoria (AU)

(72) Inventors: **Peter Luscombe,** Victoria (AU); **John Jansen Van Vuuren,** Victoria (AU); **Lachlan Rhodes,** Victoria (AU)

(73) Assignee: **POLYPLAS INTERNATIONAL PTY LTD,** Victoria (AU)

D479,793 S * 9/2003 Jones D8/349
D508,251 S * 8/2005 Tuccinardi D16/132
D705,040 S * 5/2014 Konrad D8/354
D754,838 S * 4/2016 Penlesky D23/393
D760,581 S * 7/2016 Pace D8/382
D761,640 S * 7/2016 Cave D8/380
D772,774 S * 11/2016 Yuan D12/223
D789,565 S * 6/2017 Lopez D25/199
D799,311 S * 10/2017 Mamie D8/382
2004/0094681 A1 * 5/2004 Birnbaum F16L 3/24
248/300
2017/0233998 A1 * 8/2017 Tan E04B 1/40
52/702

(**) Term: **15 Years**

* cited by examiner

(21) Appl. No.: **29/601,110**

Primary Examiner — Jennifer Rivard

(22) Filed: **Apr. 19, 2017**

Assistant Examiner — Alison M Ofstun

(74) *Attorney, Agent, or Firm* — Workman Nydegger

(30) **Foreign Application Priority Data**

Feb. 21, 2017 (AU) 201711042

(51) **LOC (11) Cl.** **08-05**

(52) **U.S. Cl.**
USPC **D8/354**

(58) **Field of Classification Search**
USPC D8/16, 19, 350, 353, 354, 364, 366, 499,
D8/380, 381, 371, 373, 349; D21/703;
D25/199
CPC A47B 2220/0036; E04B 1/26; E04B
2001/2415; E04B 2001/2644; E04B
2001/405; E04H 17/1421; E04H
2017/1473; A47G 1/00; A47G 25/00;
F16L 3/00

See application file for complete search history.

(56) **References Cited**

U.S. PATENT DOCUMENTS

D313,739 S * 1/1991 Preston D8/354
D327,214 S * 6/1992 Stuart D8/373

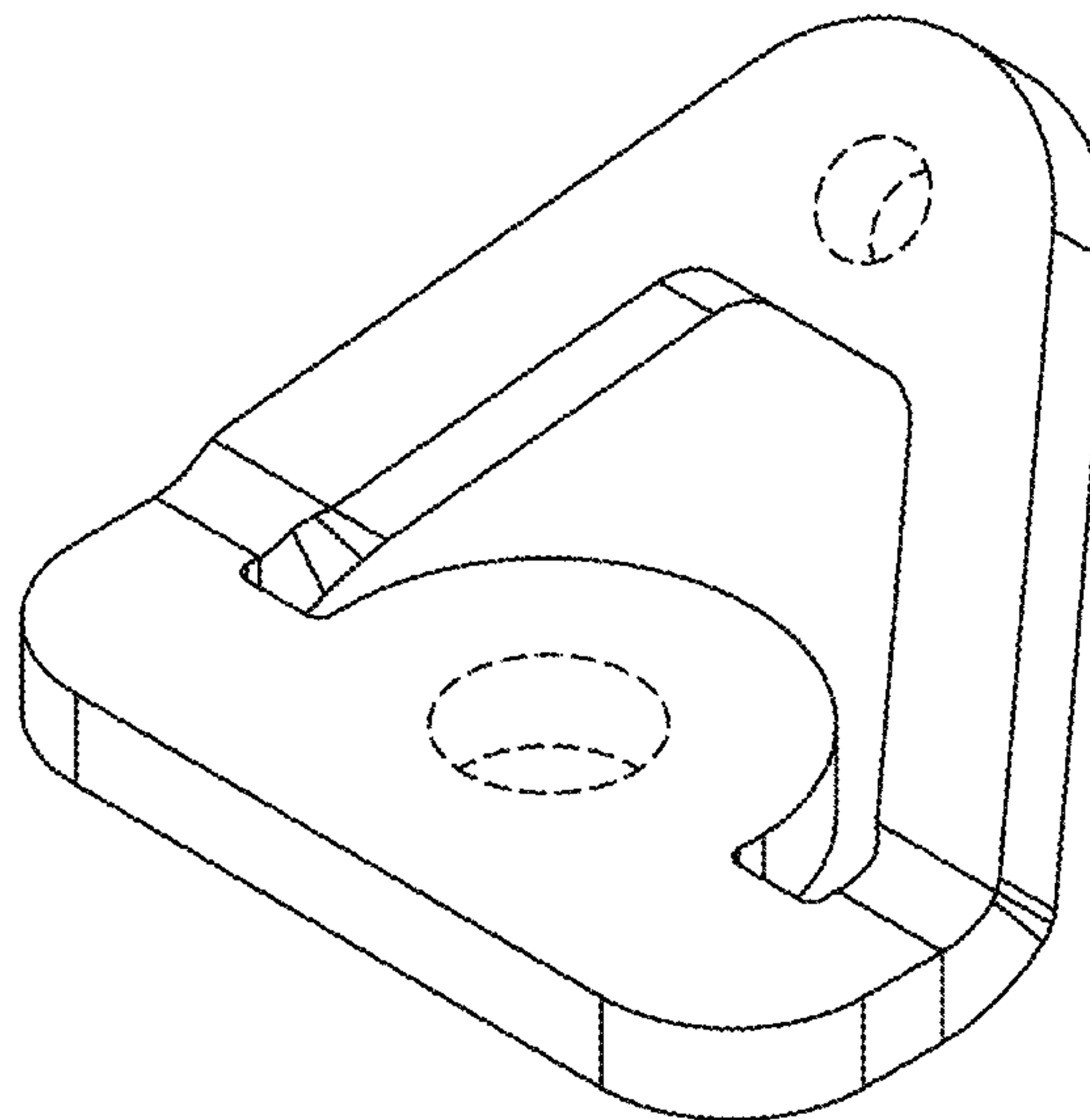
(57) **CLAIM**

The ornamental design for a mounting bracket, as shown and described.

DESCRIPTION

FIG. 1 is a perspective view of the mounting bracket.
FIG. 2 is an underneath view of the mounting bracket.
FIG. 3 is a top plan view of the mounting bracket.
FIG. 4 is an alternate top perspective view of the mounting bracket.
FIG. 5 is a front view of the mounting bracket; and,
FIG. 6 is a side view of the mounting bracket.
The broken lines present in the drawings are included for the purpose of illustrating portions of the article which form no part of the claimed design.

1 Claim, 6 Drawing Sheets



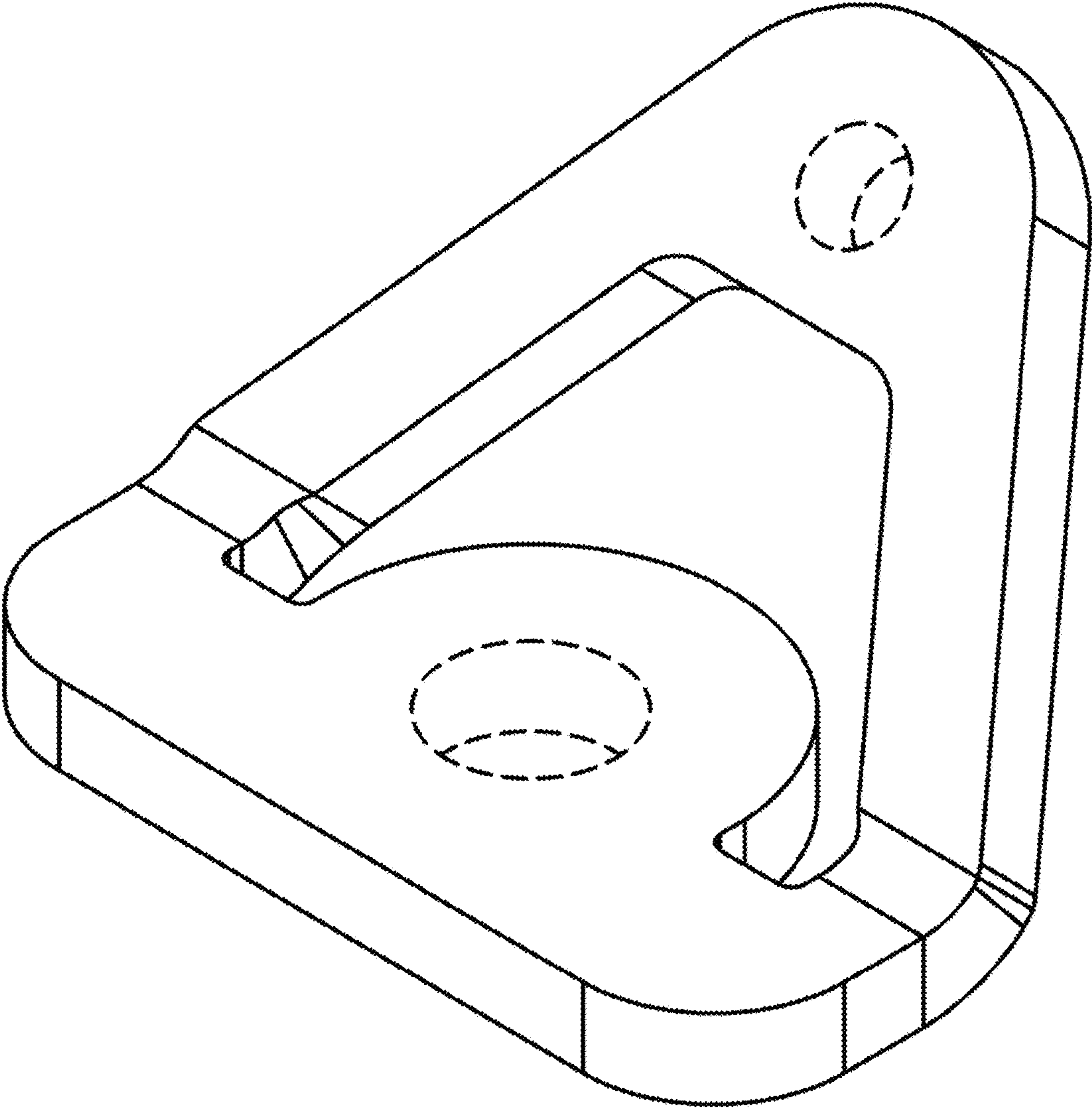


FIG. 1

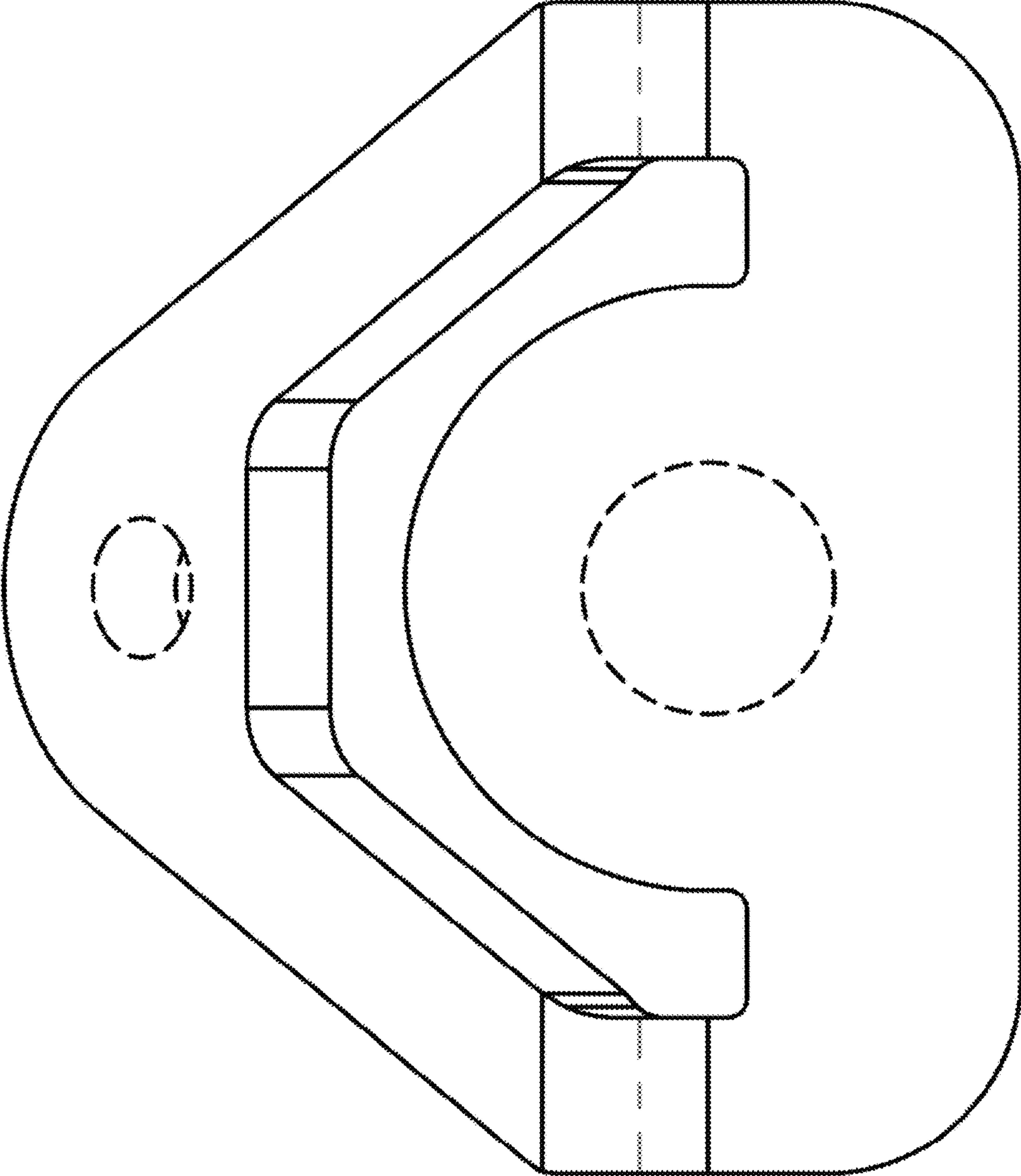


FIG.2

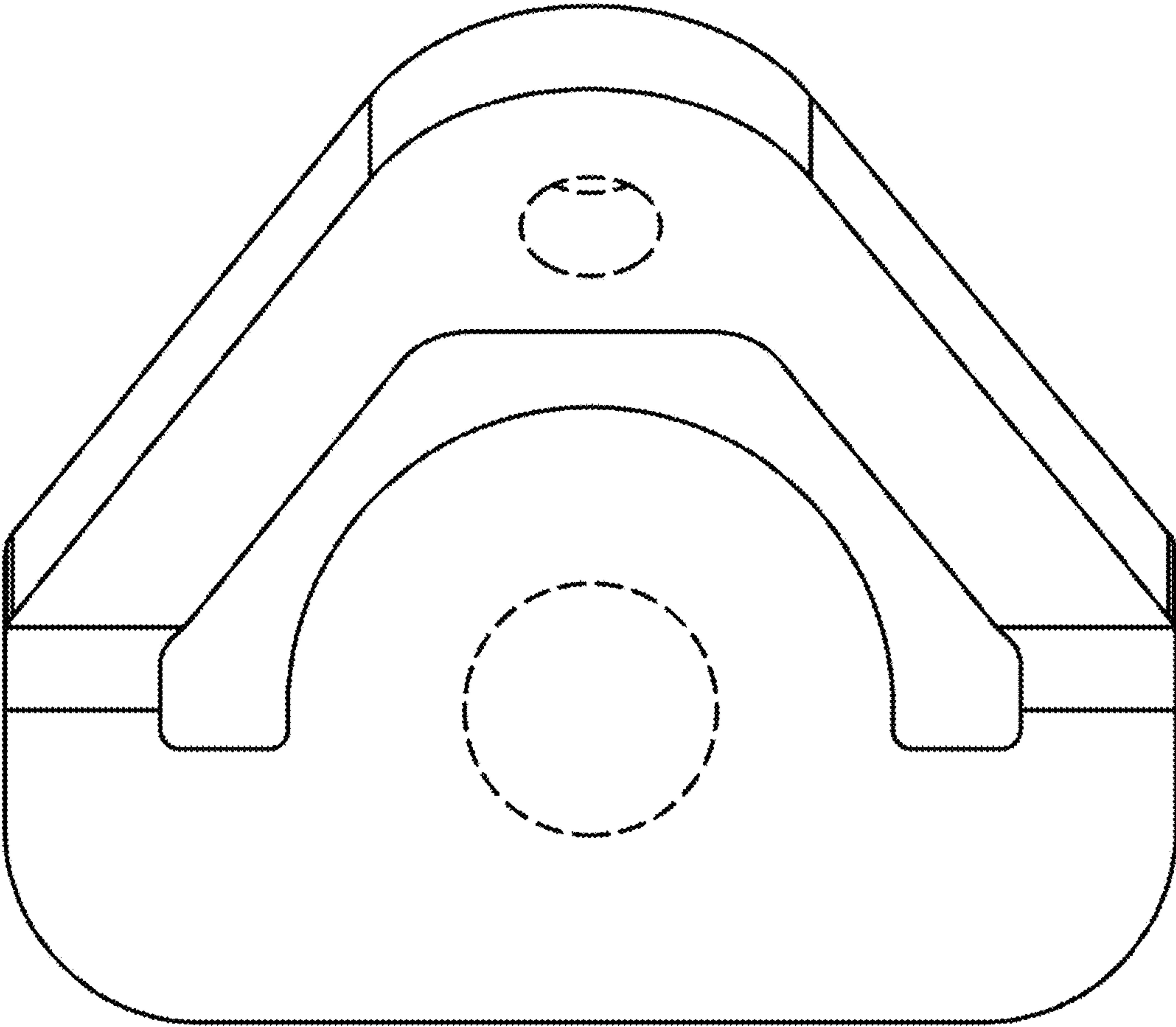


FIG. 3

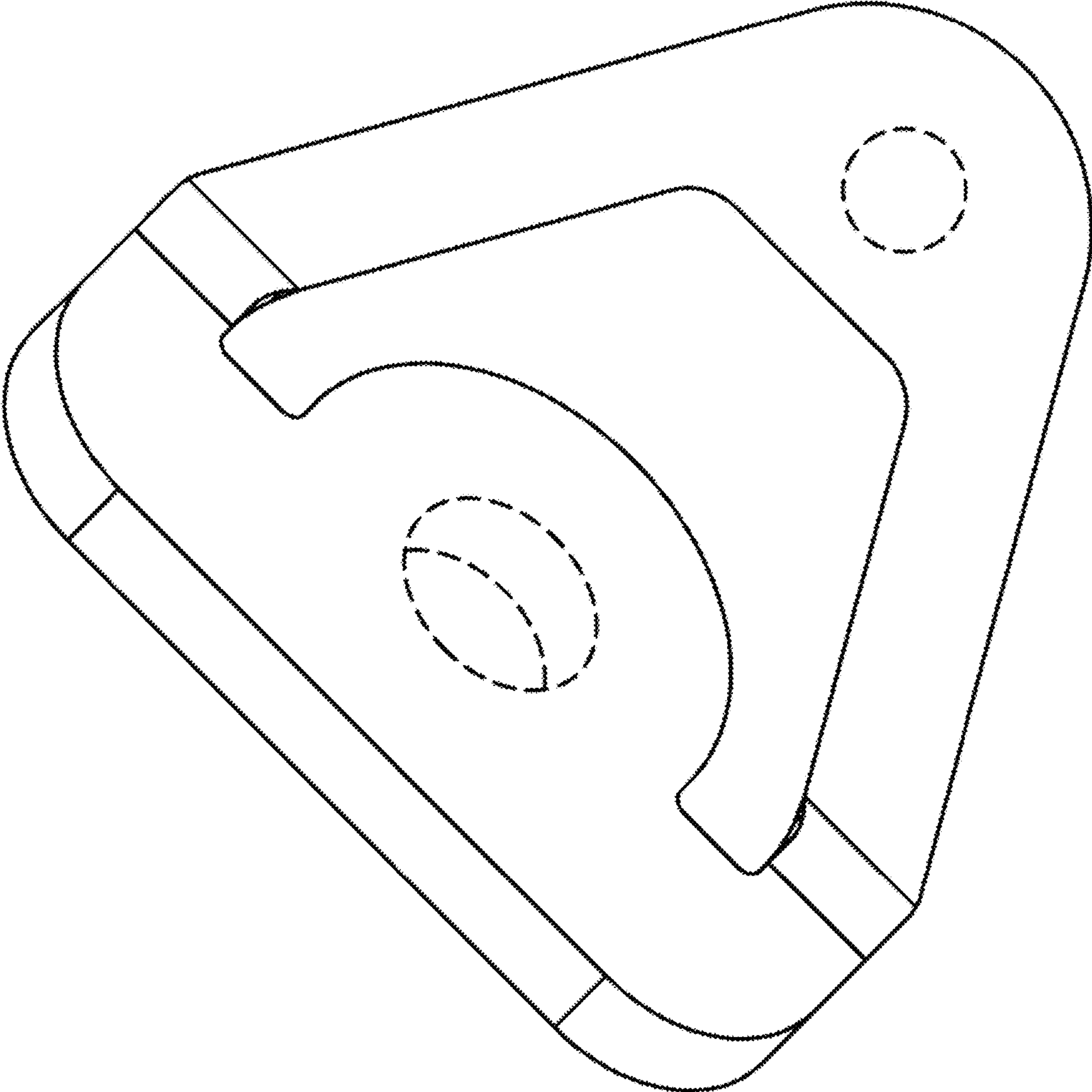


FIG. 4

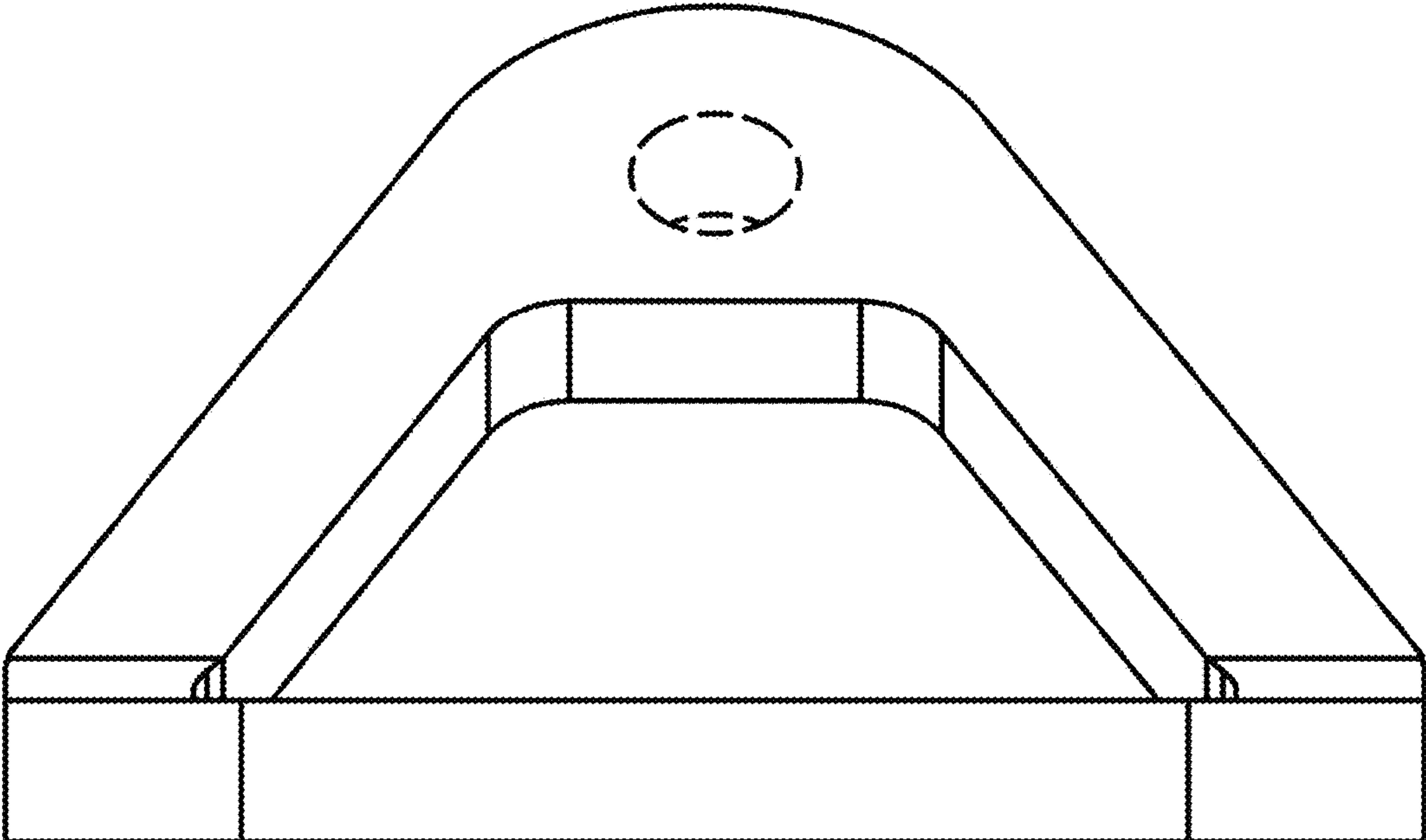


FIG. 5

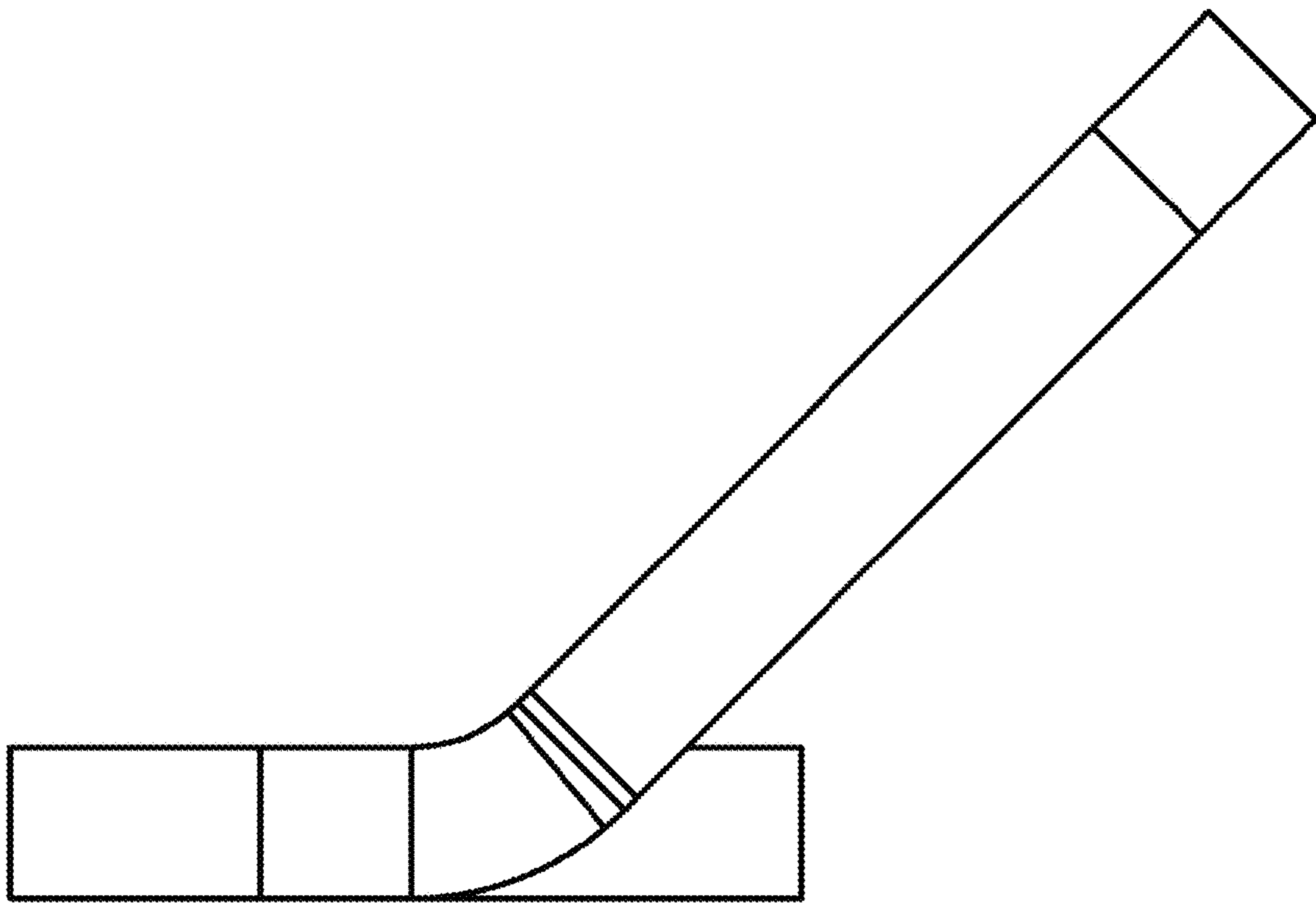


FIG. 6