



US00D836420S

(12) **United States Design Patent**
Griffin

(10) **Patent No.:** **US D836,420 S**

(45) **Date of Patent:** **** Dec. 25, 2018**

(54) **PROTECTIVE CAP FOR A THREADED REBAR COUPLER**

(71) Applicant: **Barsplice Products, Inc.**, Dayton, OH (US)

(72) Inventor: **Scott D. Griffin**, Granbury, TX (US)

(73) Assignee: **Barsplice Products, Inc.**, Dayton, OH (US)

(**) Term: **15 Years**

(21) Appl. No.: **29/593,307**

(22) Filed: **Feb. 8, 2017**

(51) **LOC (11) Cl.** **08-05**

(52) **U.S. Cl.**
USPC **D8/354**

(58) **Field of Classification Search**
USPC D13/156, 150, 123, 120, 110, 133, 184;
D8/349, 382, 397, 354, 356
CPC . H01R 4/12; H01R 4/22; B65D 35/44; B65D
59/06; B01D 29/15; E04C 5/165; F16L
37/0925; F16B 21/12
See application file for complete search history.

(56) **References Cited**

U.S. PATENT DOCUMENTS

- 3,169,562 A * 2/1965 Gogel B65D 35/44
138/89
- 4,202,378 A * 5/1980 Bush B65D 59/06
138/96 R
- 4,228,012 A * 10/1980 Pall B01D 29/15
210/238

- 5,729,952 A * 3/1998 Dahl E04C 5/165
29/437
- 5,910,643 A * 6/1999 Laine H01R 4/22
174/87
- 6,722,702 B1 * 4/2004 Min-Cheol F16L 37/0925
285/322
- D577,685 S * 9/2008 King, Jr. D13/156
- D762,458 S * 8/2016 Horne D8/354
- D777,111 S * 1/2017 Zantout D13/150
- 9,869,335 B2 * 1/2018 Comerford F16B 21/12
- 2007/0178752 A1 * 8/2007 Bigelow H01R 4/22
439/497
- 2010/0173515 A1 * 7/2010 Dickenson H01R 4/12
439/391
- 2017/0204608 A1 * 7/2017 Yang E04C 5/165

* cited by examiner

Primary Examiner — Karen S Acker

Assistant Examiner — Jerry Shiuan-Hua Hsu

(74) *Attorney, Agent, or Firm* — Jacox, Meckstroth & Jenkins

(57) **CLAIM**

The ornamental design of a protective cap for a threaded rebar coupler, as shown and described.

DESCRIPTION

FIG. 1 is a perspective view of a protective cap for a threaded rebar coupler;
FIG. 2 is a side view thereof;
FIG. 3 is a top view thereof;
FIG. 4 is a bottom view thereof; and,
FIG. 5 is a perspective section view thereof, taken along 5-5 in FIG. 3.

1 Claim, 2 Drawing Sheets

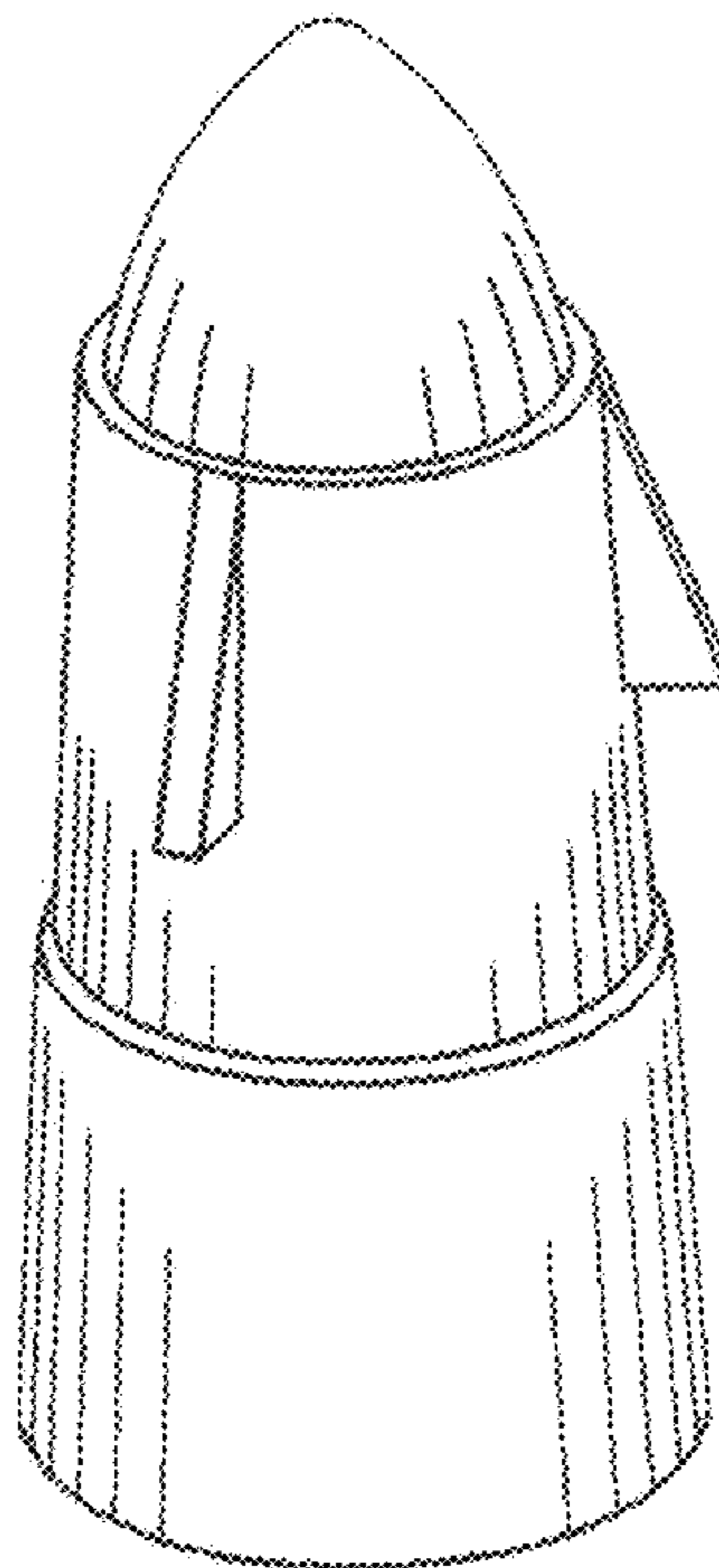


FIG. 1

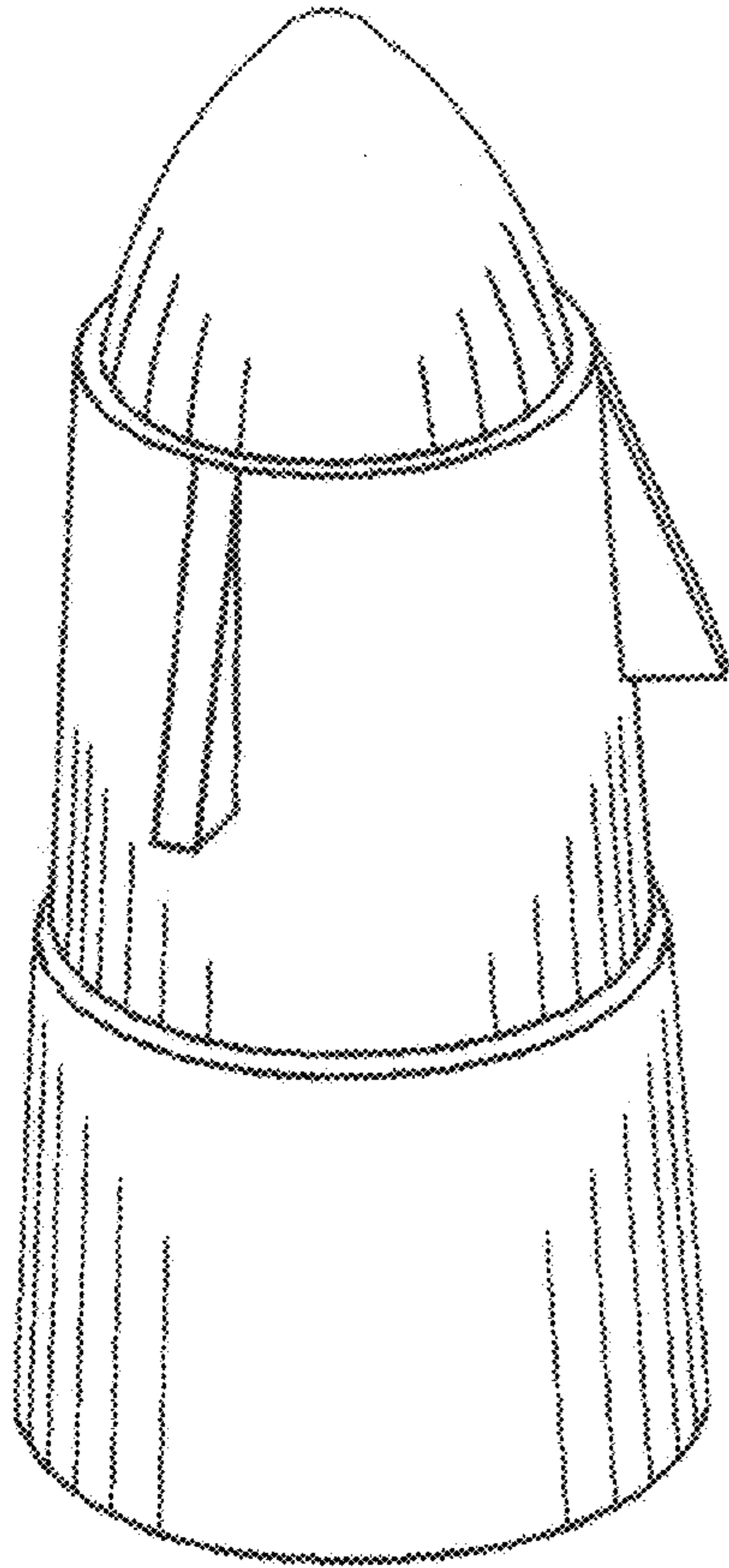


FIG. 2

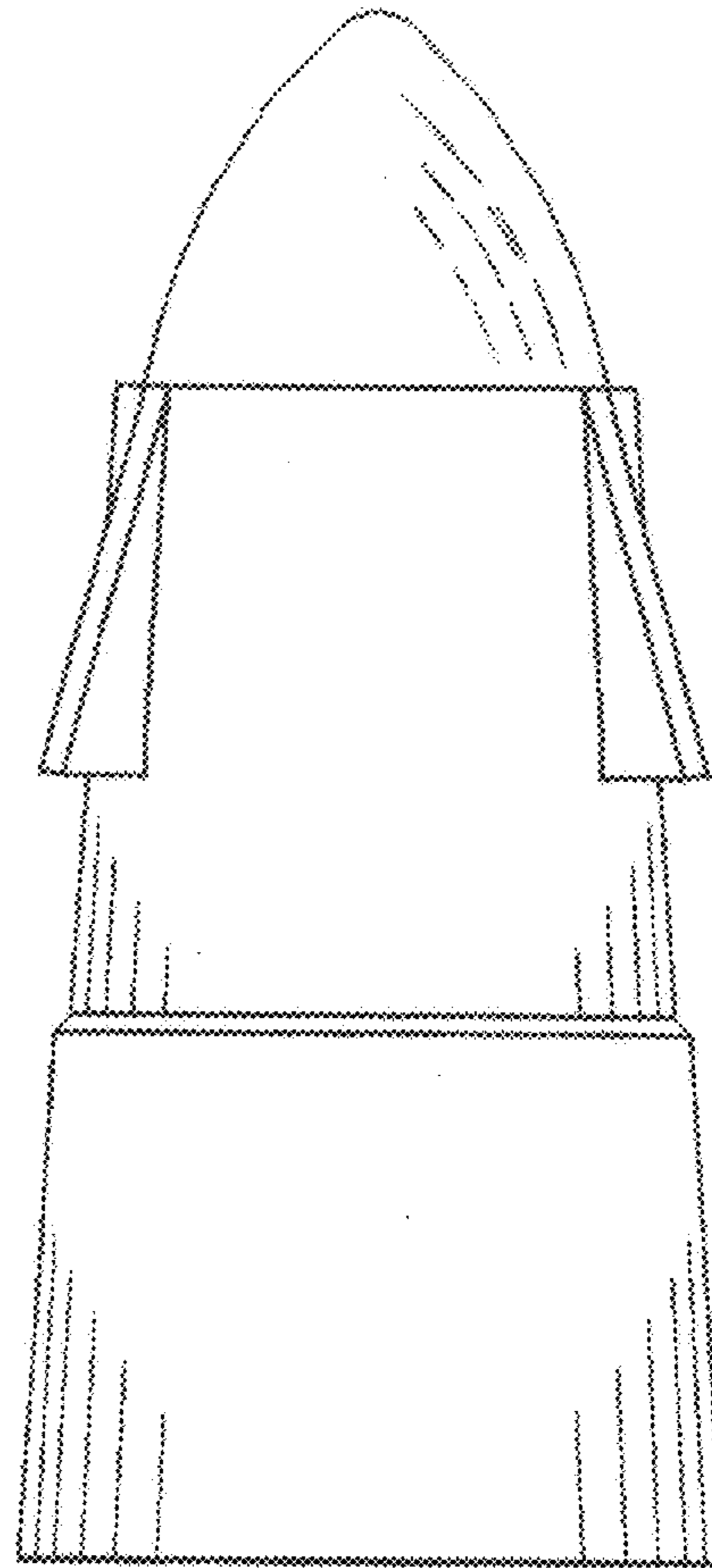


FIG. 3

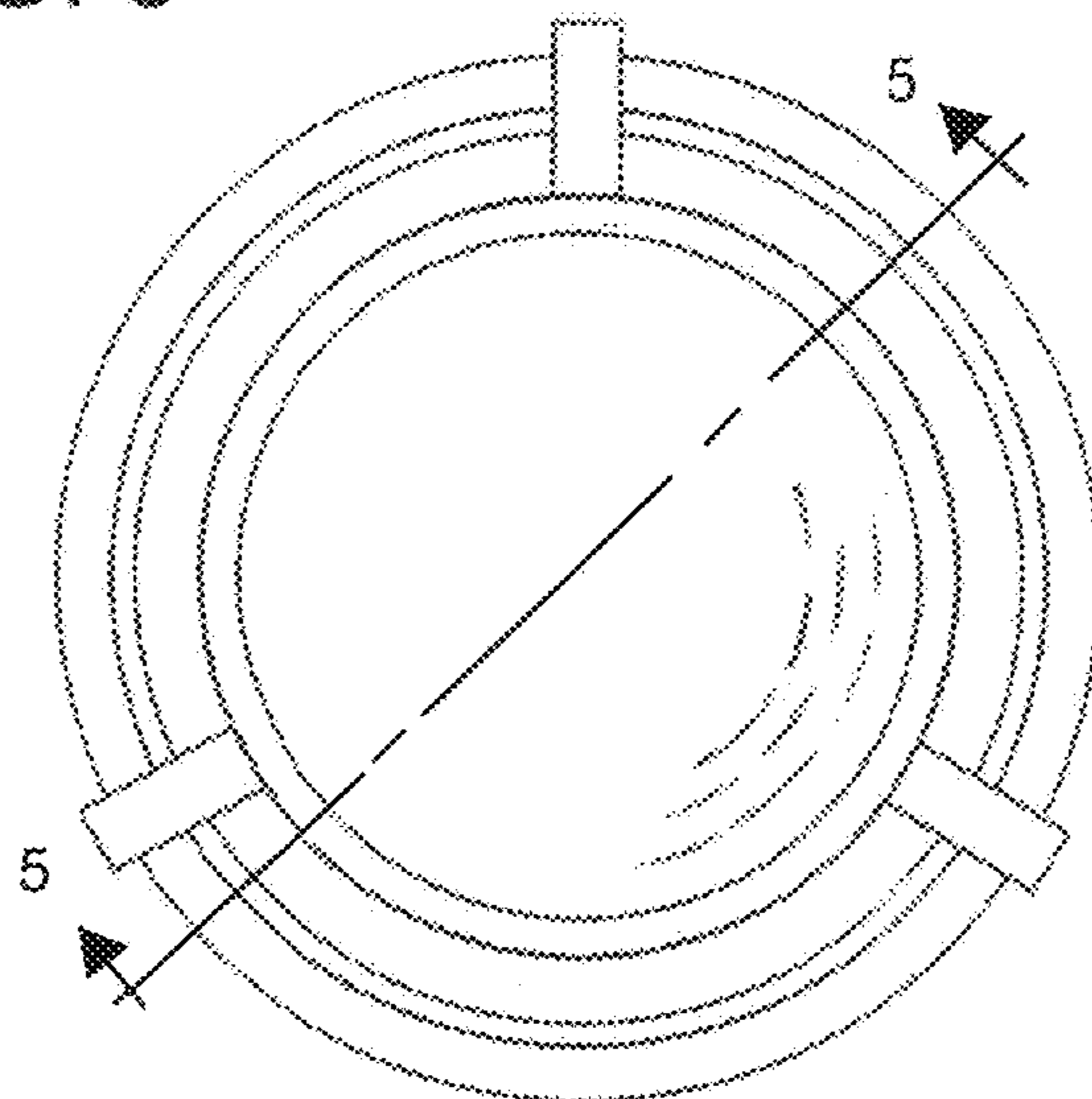


FIG. 4

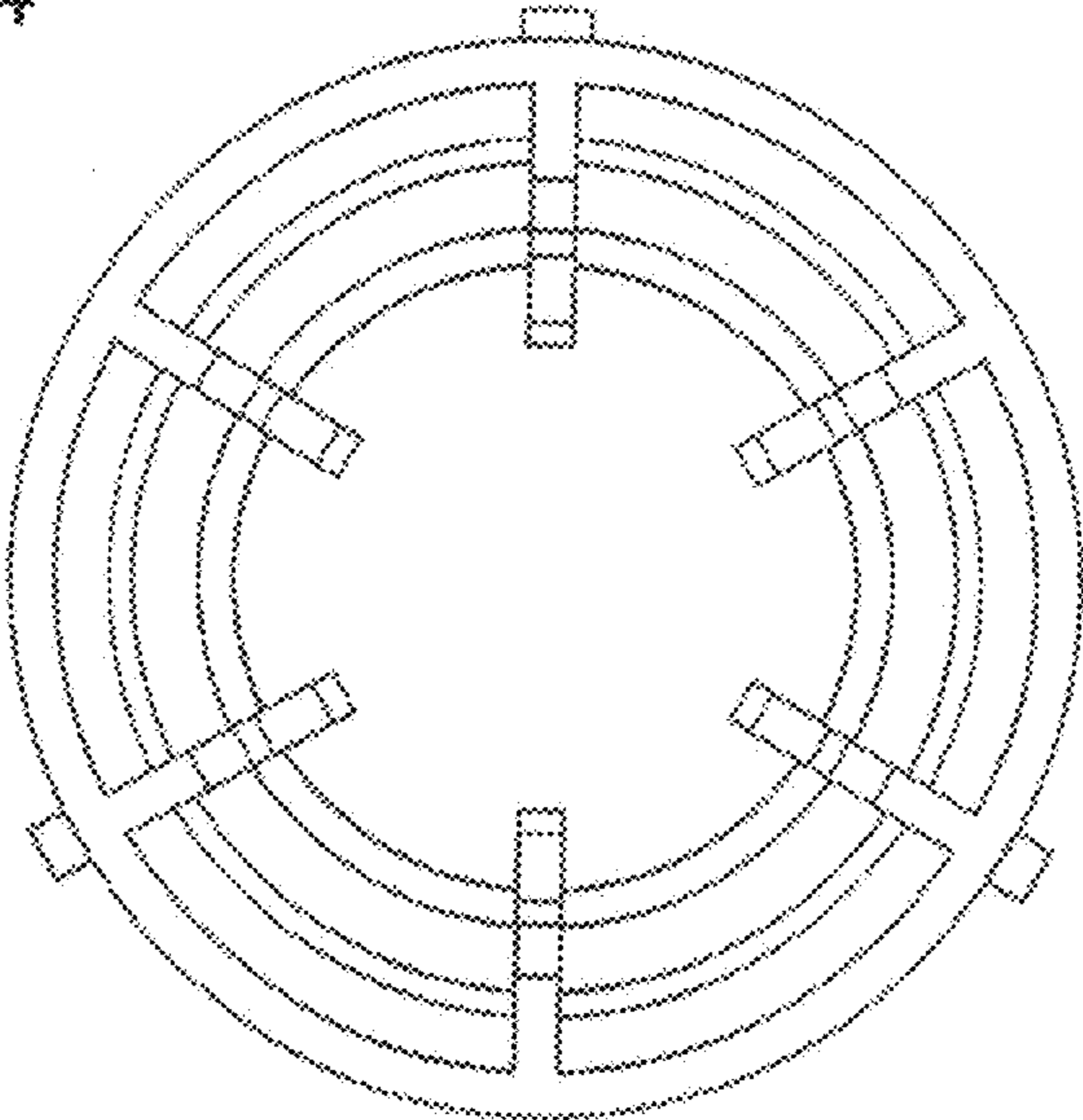


FIG. 5

