



US00D836419S

(12) **United States Design Patent**
Marsden

(10) **Patent No.:** **US D836,419 S**

(45) **Date of Patent:** **** Dec. 25, 2018**

- (54) **MULTIPURPOSE LOCK**
- (71) Applicant: **Elbee Pty Ltd.**, Bondi Junction (AU)
- (72) Inventor: **Andrew Marsden**, Hingham, MA (US)
- (73) Assignee: **Elbee Pty Ltd.**, Bondi Junction (AU)
- (**) Term: **15 Years**
- (21) Appl. No.: **29/597,970**
- (22) Filed: **Mar. 21, 2017**
- (51) **LOC (11) Cl.** **08-07**
- (52) **U.S. Cl.**
USPC **D8/336; D8/330; D8/331; D8/343**
- (58) **Field of Classification Search**
USPC D8/330, 331, 336, 339, 343, 349, 350,
D8/354, 382, 400, 300, 301, 302; 70/14,
70/51, 52, 57, 57.1, 67, 69, 78, 85, 86,
70/88, 141, 262, 263, 431, 218, 221, 203;
292/32, 358, 359, DIG. 68, DIG. 30, 137,
292/106, 108, 336.3; 312/294, 333,
312/334.1, 330.1, 351.1
CPC E05B 3/00; E05B 9/00; E05B 2009/004;
E05B 47/00; E05B 55/00; E05B 15/00;
E05C 7/00; E05C 19/08
See application file for complete search history.

D351,984 S	11/1994	Victor	
D458,578 S *	6/2002	Hrysko	D12/400
D481,614 S	11/2003	Onel	
6,834,896 B2	12/2004	Smith	
7,044,512 B1 *	5/2006	Moreno	B65D 90/008 292/259 R
7,380,846 B1	6/2008	Moreno	
8,056,945 B2	11/2011	Moreno	
8,783,073 B1	7/2014	Derman	
8,893,611 B2	11/2014	Scholz et al.	
8,998,155 B2	4/2015	Oh	
9,175,913 B2	11/2015	Cupps et al.	
9,327,903 B2	5/2016	Toebs et al.	
9,341,002 B2	5/2016	Kongshammer	
D775,509 S *	1/2017	Marsden	D8/330
D780,554 S	3/2017	Marsden	
D789,176 S *	6/2017	Bruce	D8/330

* cited by examiner

Primary Examiner — Elizabeth J Oswecki
(74) *Attorney, Agent, or Firm* — Wolf, Greenfield & Sacks, P.C.

(57) **CLAIM**

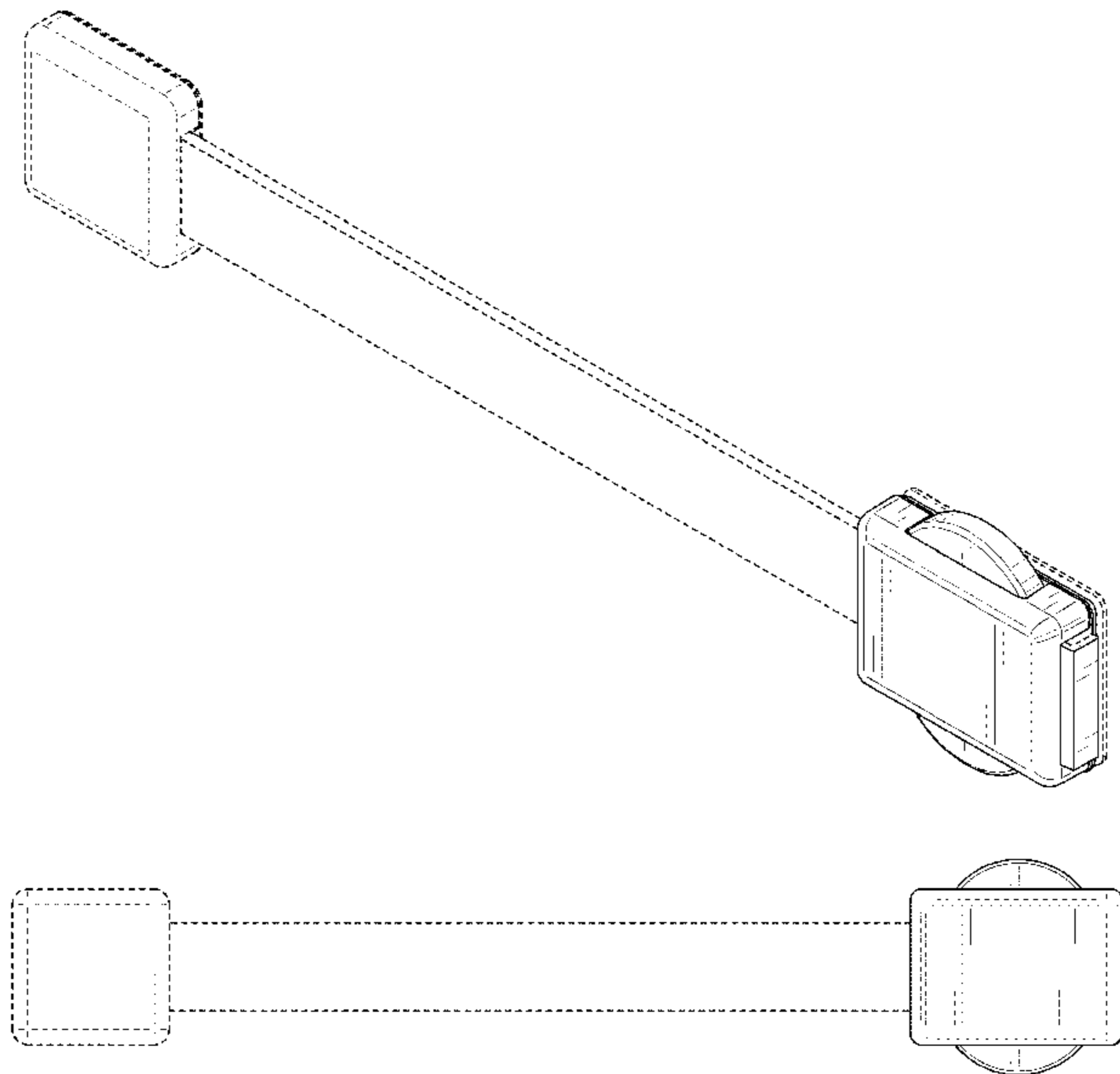
The ornamental design for a multipurpose lock, as shown and described.

DESCRIPTION

FIG. 1 is a top, rear, right side perspective view of a multipurpose lock showing my new design; FIG. 2 is a front elevation view thereof; FIG. 3 is a rear elevation view thereof; FIG. 4 is a left side elevation view thereof; FIG. 5 is a right side elevation view thereof; FIG. 6 is a top plan view thereof; and, FIG. 7 is a bottom plan view thereof. The broken lines represent portions of the multipurpose lock that form no part of the claimed design.

1 Claim, 4 Drawing Sheets

- (56) **References Cited**
U.S. PATENT DOCUMENTS
4,372,136 A * 2/1983 Mickelson E05B 83/10
292/288
5,145,222 A * 9/1992 Meyer E05B 67/36
292/218
5,284,936 A * 2/1994 Donachy A61L 15/60
502/402
D349,446 S 8/1994 Brunette



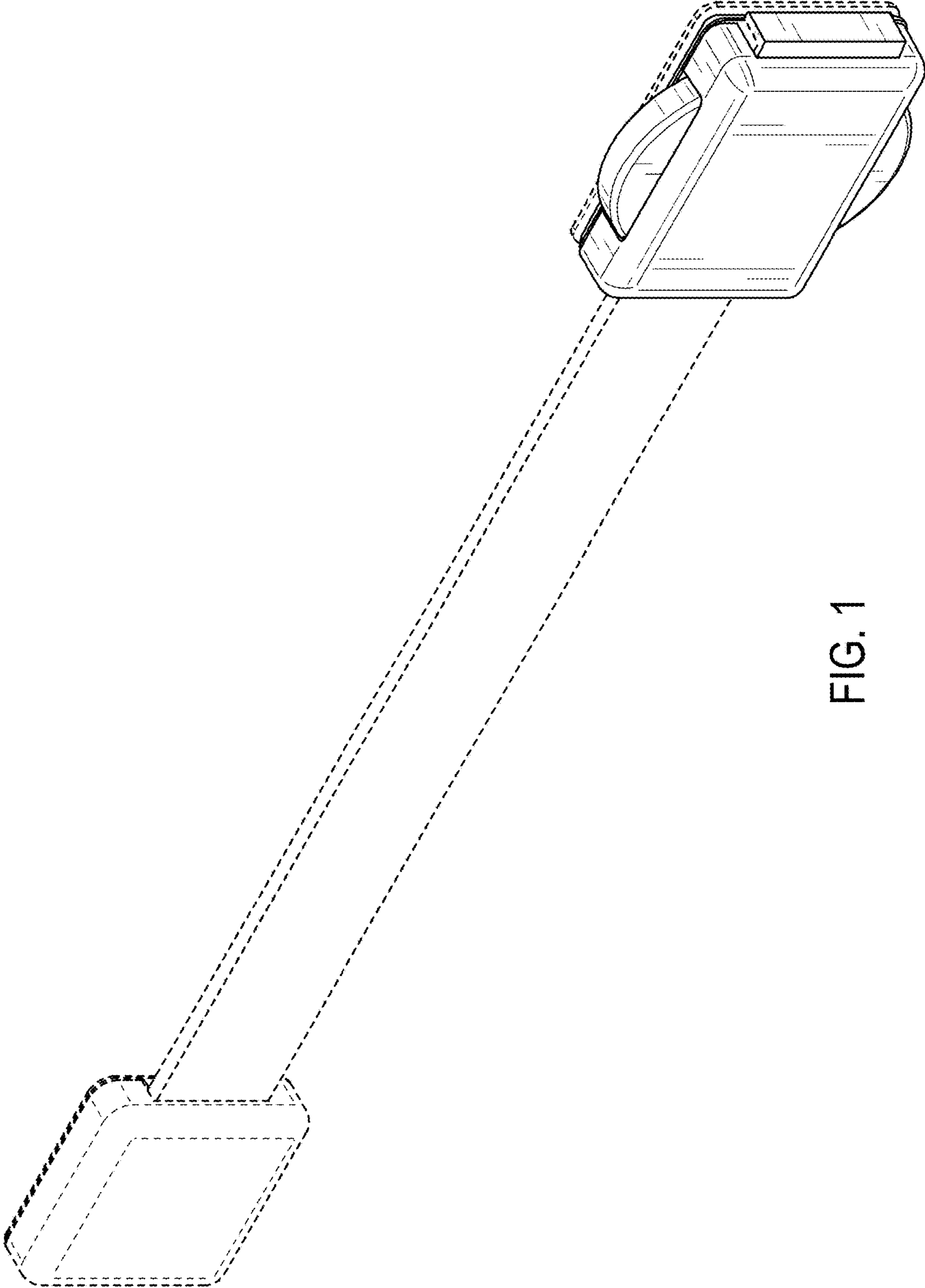


FIG. 1

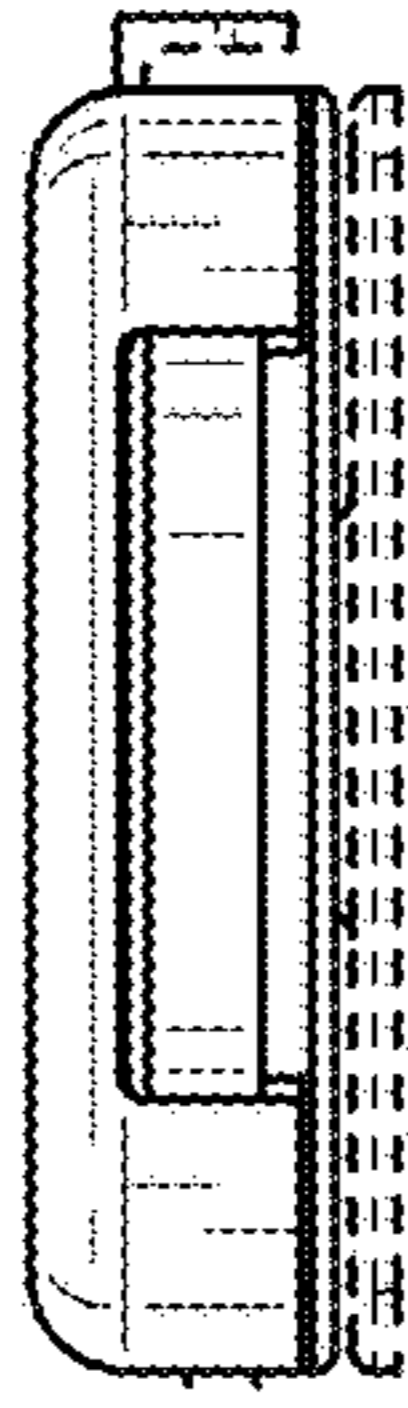


FIG. 2

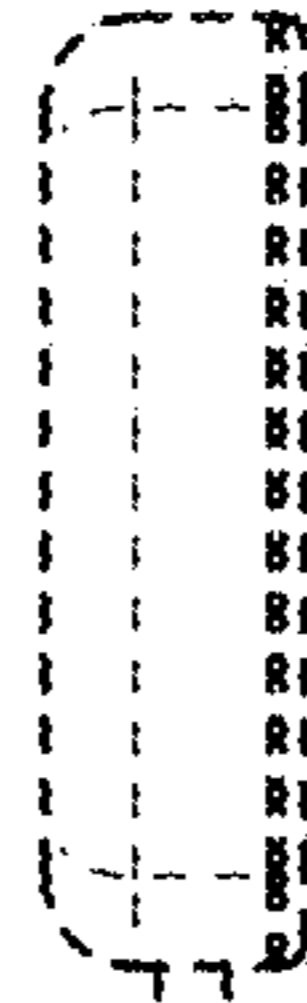
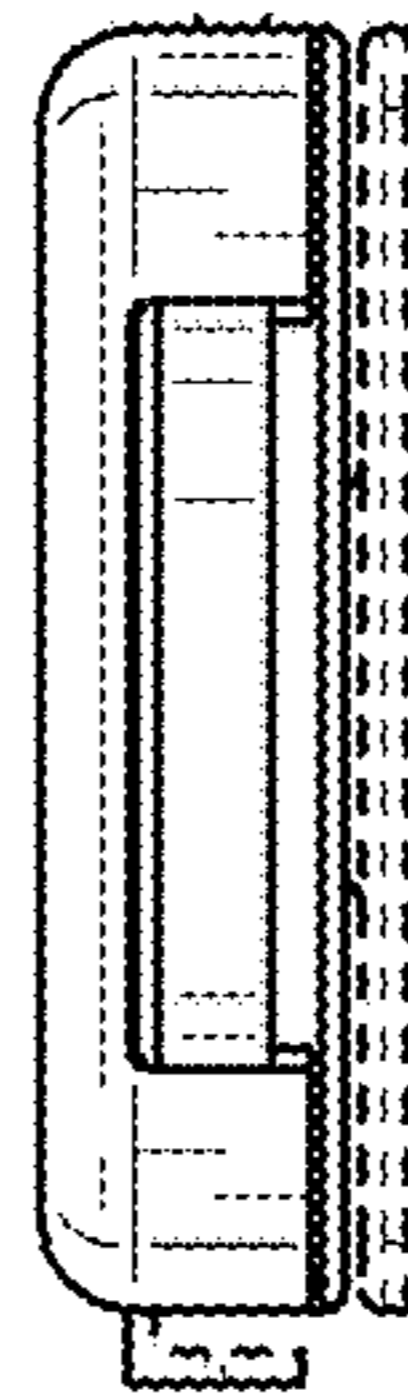
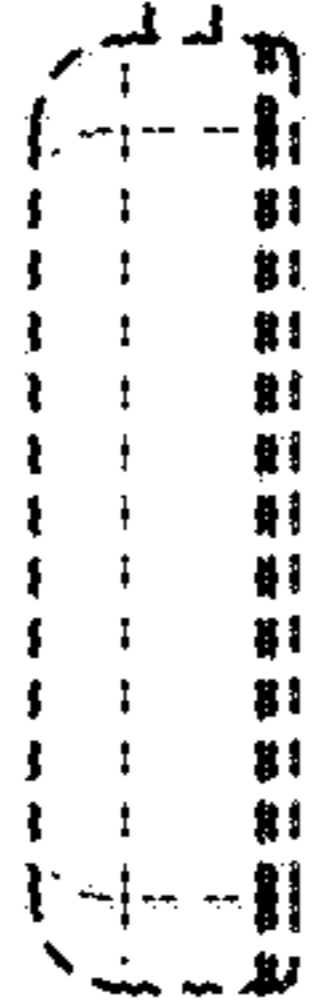


FIG. 3



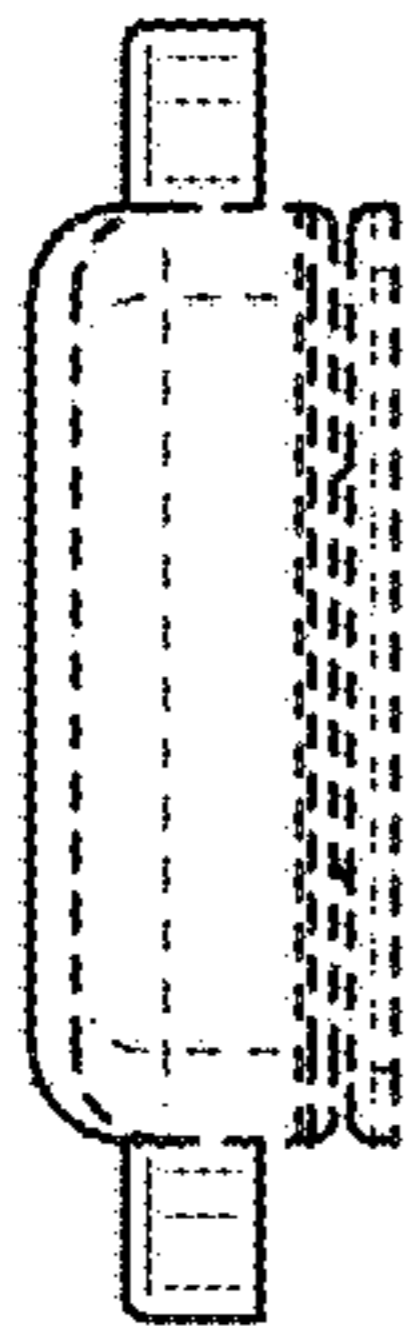


FIG. 4

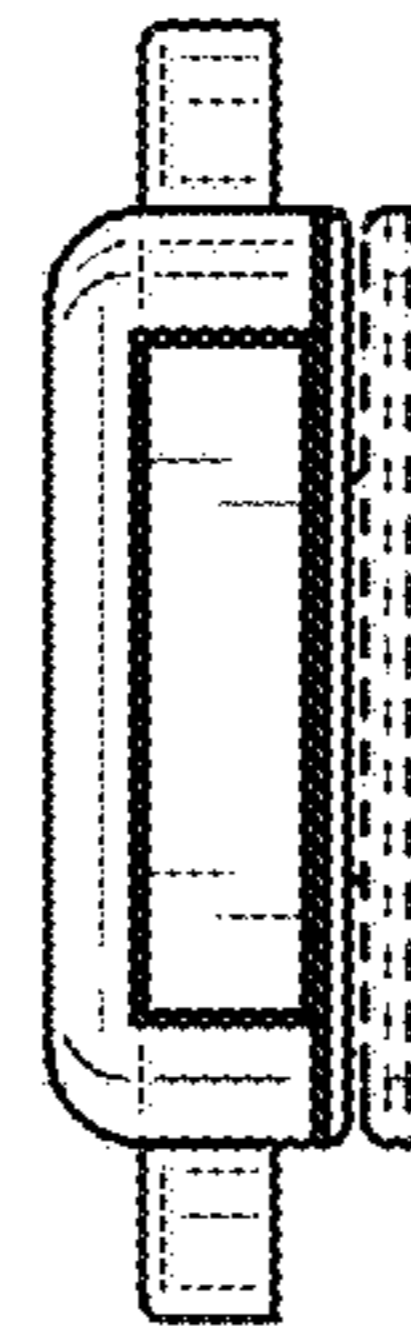


FIG. 5

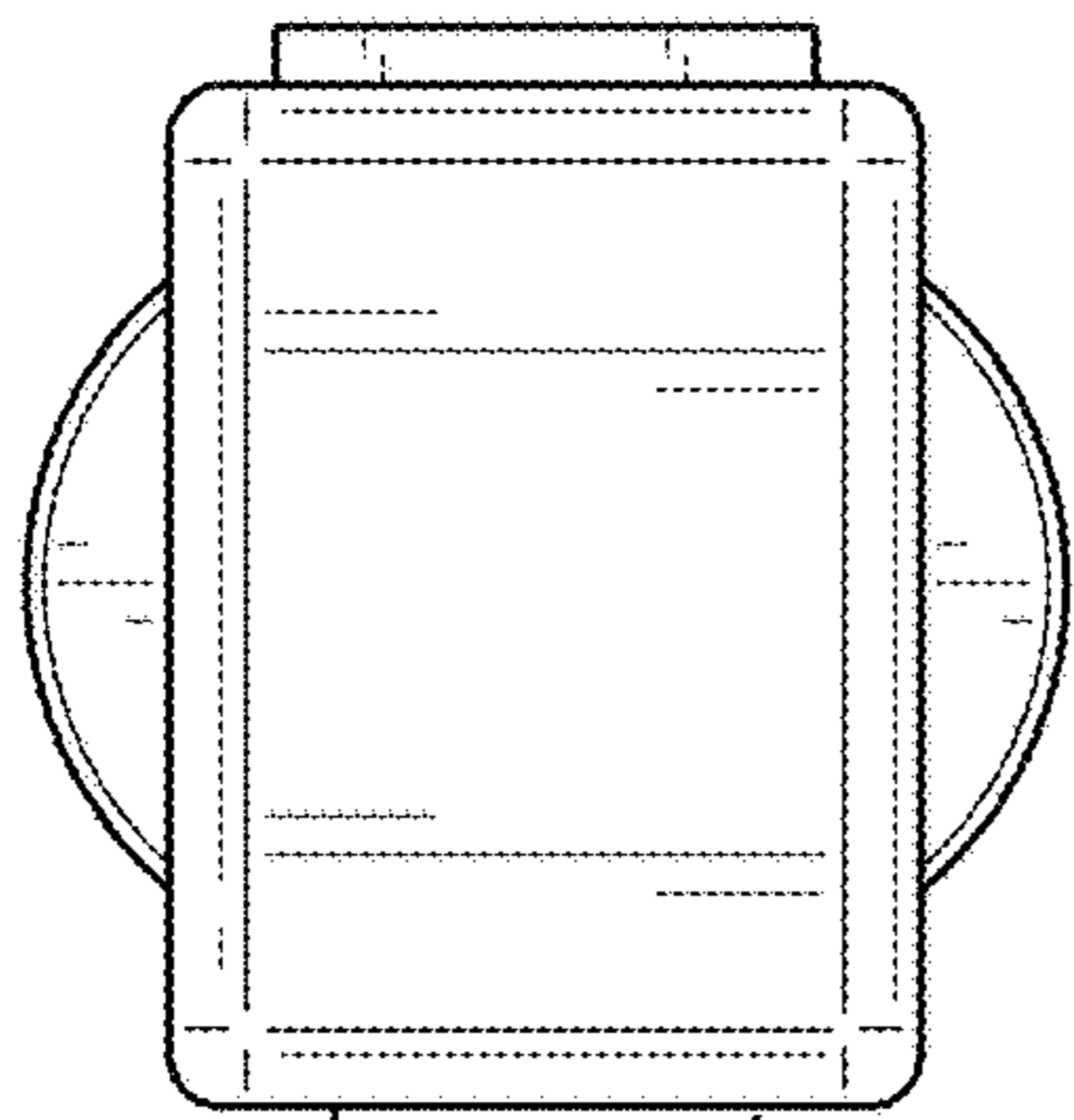


FIG. 6

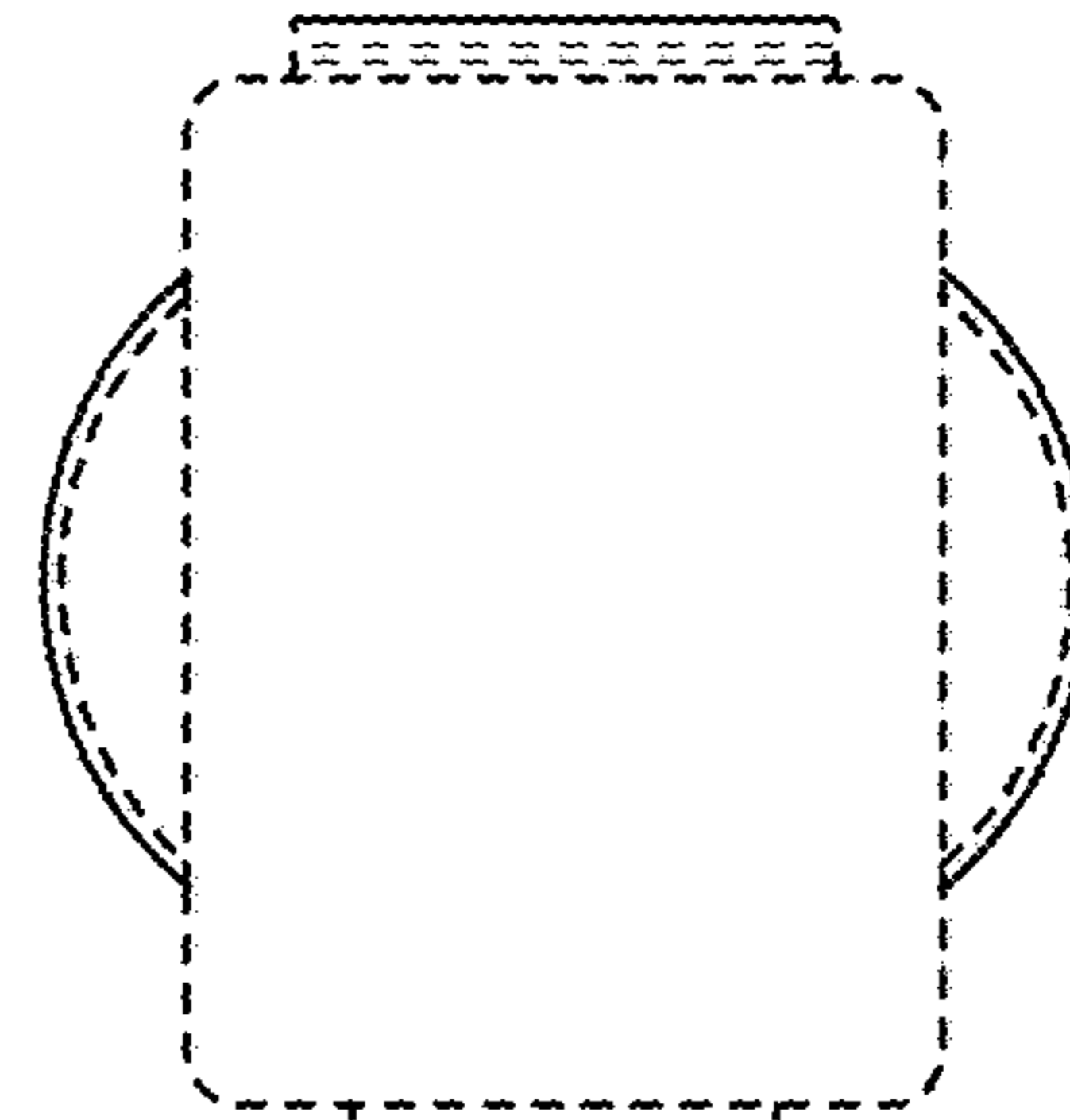
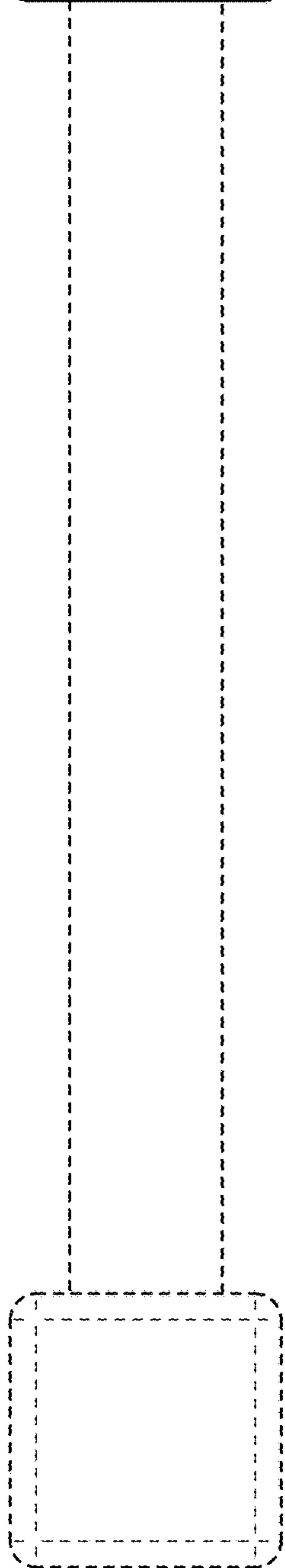


FIG. 7

