



US00D836415S

(12) **United States Design Patent** (10) **Patent No.:** **US D836,415 S**
Lin (45) **Date of Patent:** **** Dec. 25, 2018**

(54) **CRIMPING HAND TOOL**
(71) Applicant: **JETOOL CORP.**, New Taipei (TW)
(72) Inventor: **Kai-Yen Lin**, New Taipei (TW)
(73) Assignee: **JETOOL CORP.**, New Taipei (TW)
(**) Term: **15 Years**

D558,014 S * 12/2007 Hutchfield D8/52
D588,427 S * 3/2009 Manak D8/51
D641,221 S * 7/2011 Miyazaki D8/29.1
D690,273 S * 9/2013 Lin D13/155

(Continued)

Primary Examiner — Shannon W Morgan
Assistant Examiner — Altaira J Swangin
(74) *Attorney, Agent, or Firm* — JCIPRNET

(21) Appl. No.: **29/607,633**
(22) Filed: **Jun. 15, 2017**

(30) **Foreign Application Priority Data**

May 18, 2017 (TW) 106302695

(51) **LOC (11) Cl.** **08-05**

(52) **U.S. Cl.**
USPC **D8/52**

(58) **Field of Classification Search**
USPC D28/10, 35, 36, 37, 38; 132/211, 223,
132/226–229, 237, 245, 254–255, 269,
132/126, 137–140, 213.1; 219/222;
34/96–97; D8/52, 51; 7/107;
29/750–751, 566.4, 752
CPC ... A45D 1/00; A45D 1/02; A45D 1/04; A45D
2001/002; A45D 2001/004; A45D
2001/008; A45D 1/28; A45D 7/02; A45D
1/06; A45D 2/002; A45D 1/18; A45D
2/42; A45D 2/44; A45D 24/02; A45D
20/52; A46B 15/0002; A46B 2200/104;
H01R 43/042; H01R 43/0421; H01R
43/0422; H01R 43/0424; H01R 43/0425;
H01R 43/0427; H01R 43/0428; H01R
43/045; H01R 43/048

See application file for complete search history.

(56) **References Cited**

U.S. PATENT DOCUMENTS

4,660,241 A * 4/1987 Chen B25B 7/04
29/566.4
4,713,874 A * 12/1987 Schwartz H01R 43/0421
29/566.4

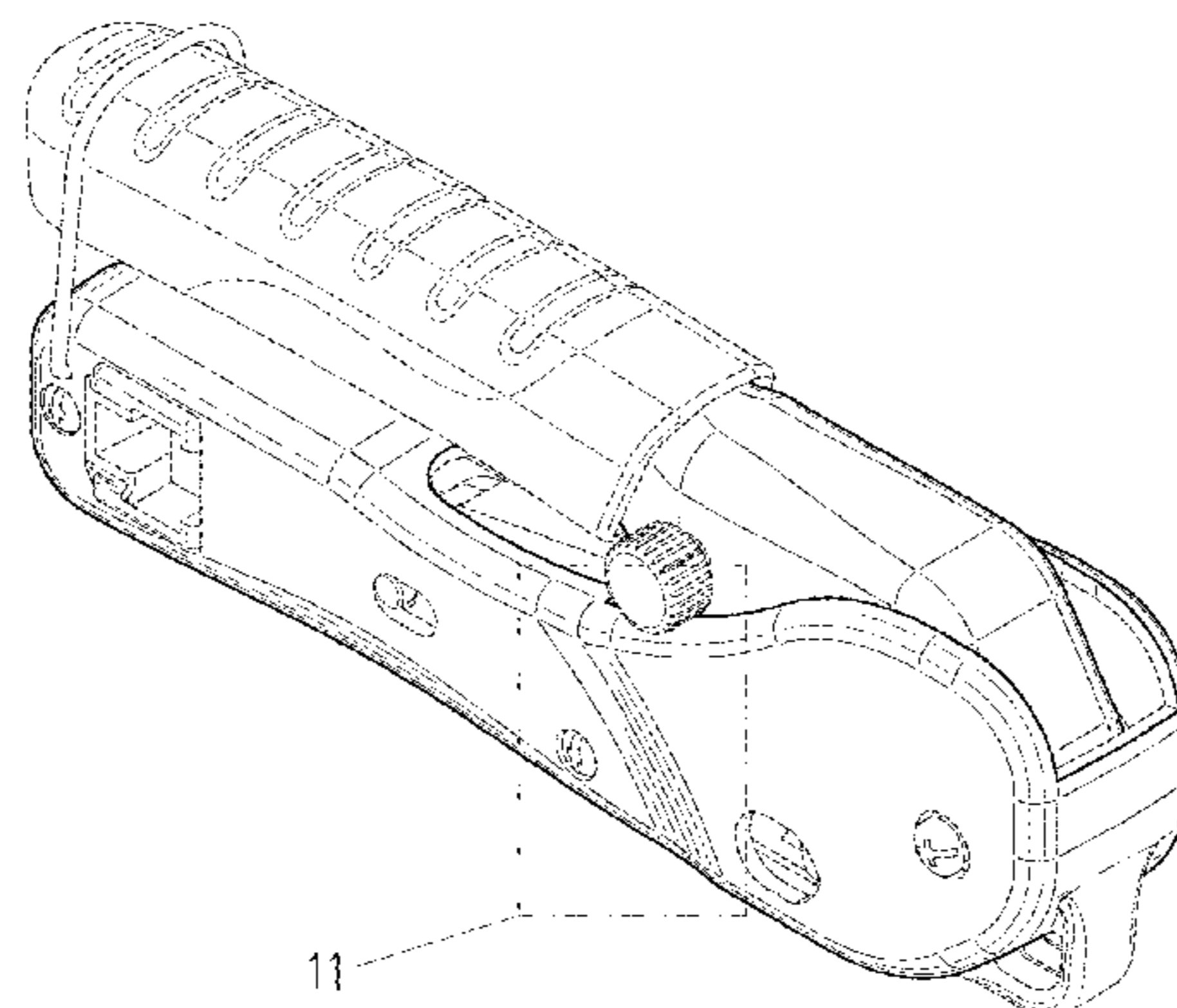
(57) **CLAIM**

The ornamental design for a crimping hand tool, as shown and described.

DESCRIPTION

FIG. 1 is a perspective view of a crimping hand tool showing my new design, with a reference view shown in the enlarged view of FIG. 11;
FIG. 2 is another perspective view thereof;
FIG. 3 is a front view thereof;
FIG. 4 is a rear view thereof;
FIG. 5 is a left side view thereof;
FIG. 6 is a right side view thereof;
FIG. 7 is a top view thereof;
FIG. 8 is a bottom view thereof, with a reference view shown in the enlarged view of FIG. 12;
FIG. 9 is another perspective view showing an opened state thereof;
FIG. 10 is another perspective view showing the opened state in FIG. 9;
FIG. 11 is an enlarged partial perspective view of the portion, labeled 11, of the crimping hand tool in FIG. 1; and,
FIG. 12 is an enlarged partial bottom plan view of the portion, labeled 12, of the crimping hand tool in FIG. 8.
The broken lines in FIGS. 1-12 depict portions of the crimping hand tool which form no part of the claimed design.

1 Claim, 10 Drawing Sheets



(56)

References Cited

U.S. PATENT DOCUMENTS

D693,196 S * 11/2013 Hutchfield D8/51
D693,197 S * 11/2013 Hutchfield D8/51
D693,198 S * 11/2013 Hutchfield D8/51
8,677,610 B2 * 3/2014 Liu H01R 43/042
29/751
D729,601 S * 5/2015 Lin D8/51
D736,050 S * 8/2015 Barouch D8/52
D759,452 S * 6/2016 Persson D8/52
D768,451 S * 10/2016 Persson D8/52
D771,458 S * 11/2016 Yen D8/52
9,509,111 B1 * 11/2016 Liao H01R 43/042
9,701,004 B2 * 7/2017 Hardinge B25F 1/003
10,003,166 B2 * 6/2018 Youtsey
D823,084 S * 7/2018 Graykowski D8/52
D824,740 S * 8/2018 Sutter D8/61
2012/0204413 A1 * 8/2012 Hedrick H01R 43/0421
29/566.4
2013/0247365 A1 * 9/2013 Liu H01R 43/042
29/751
2014/0245807 A1 * 9/2014 Liao H01R 43/0425
72/409.11
2015/0372436 A1 * 12/2015 Chou H01R 43/042
29/753
2016/0036186 A1 * 2/2016 Liao H01R 43/0425
29/751
2016/0207175 A1 * 7/2016 Hyma B25B 7/123
2018/0013253 A1 * 1/2018 Wang H01R 9/0518
2018/0062337 A1 * 3/2018 Lin H01R 43/0425

* cited by examiner

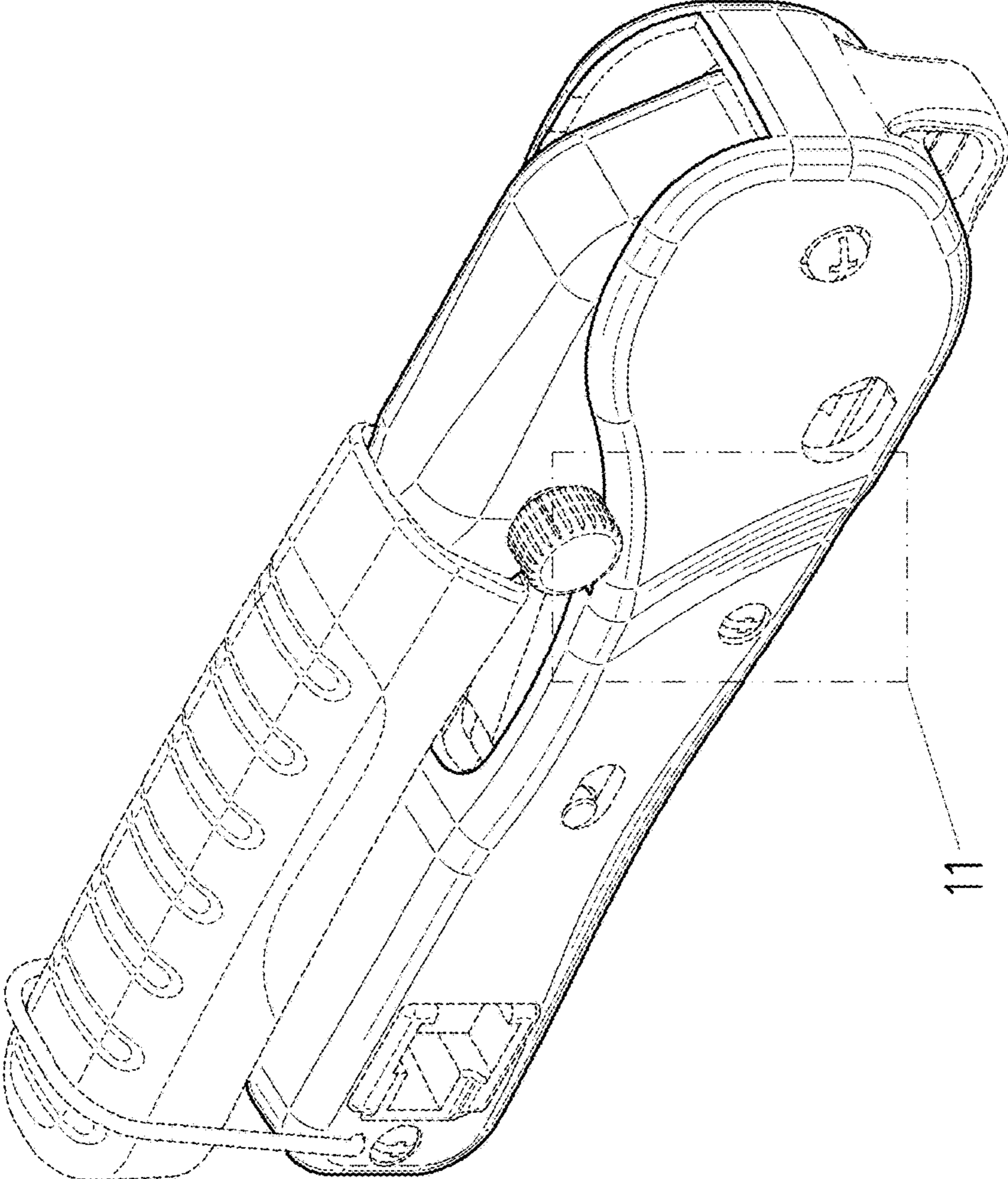


FIG. 1

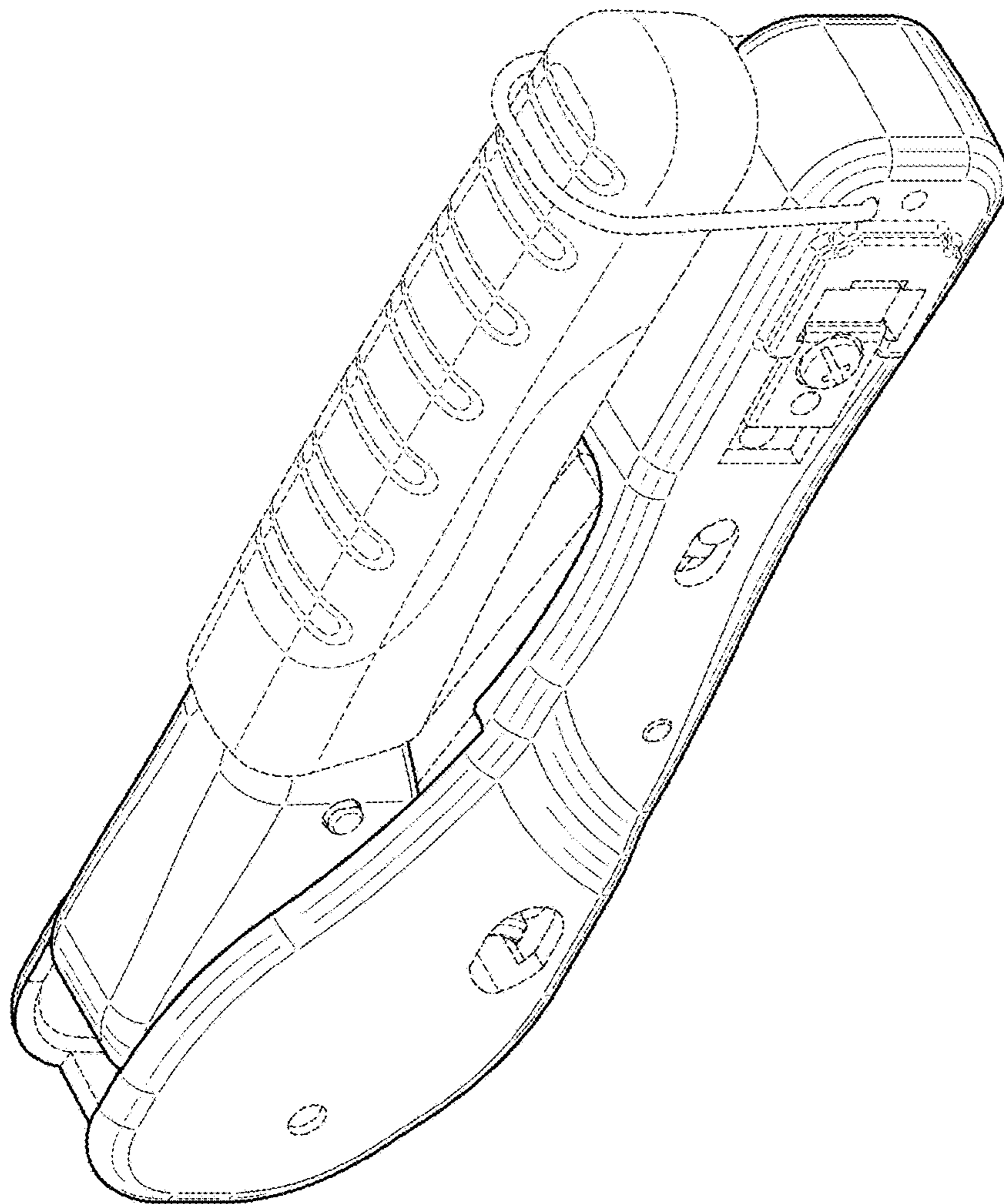


FIG. 2

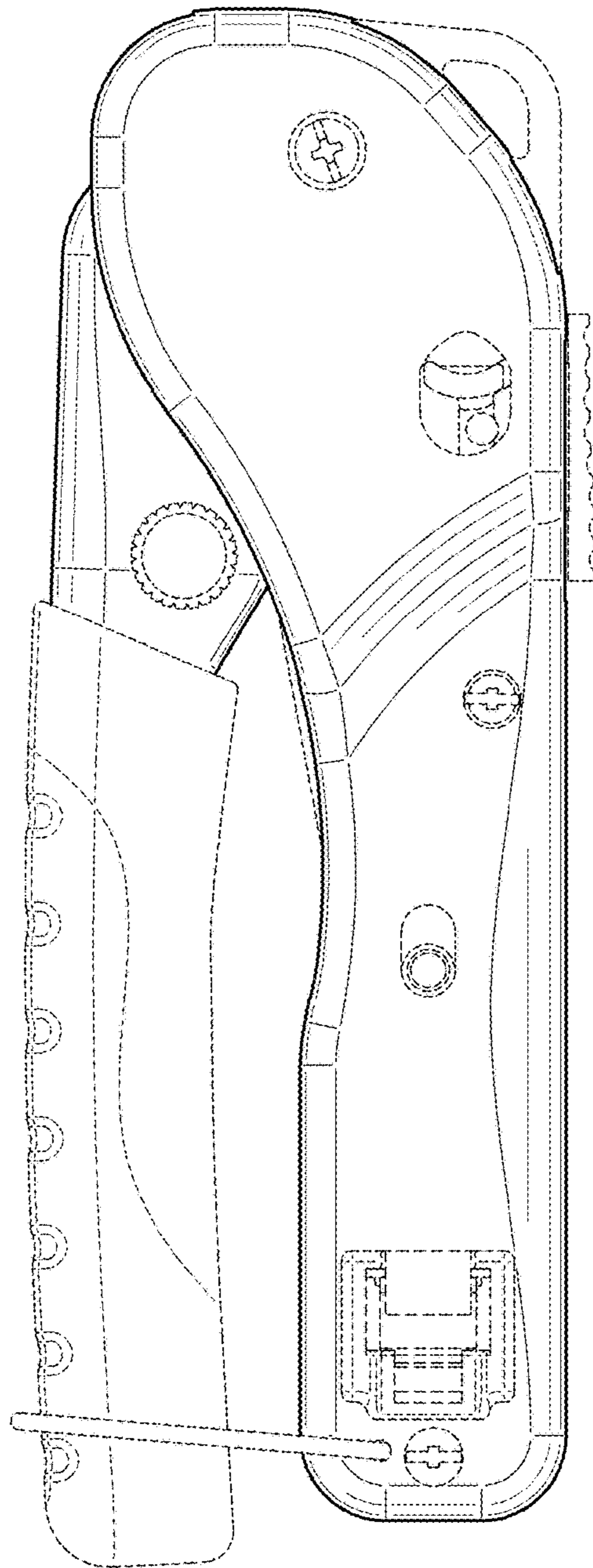


FIG. 3

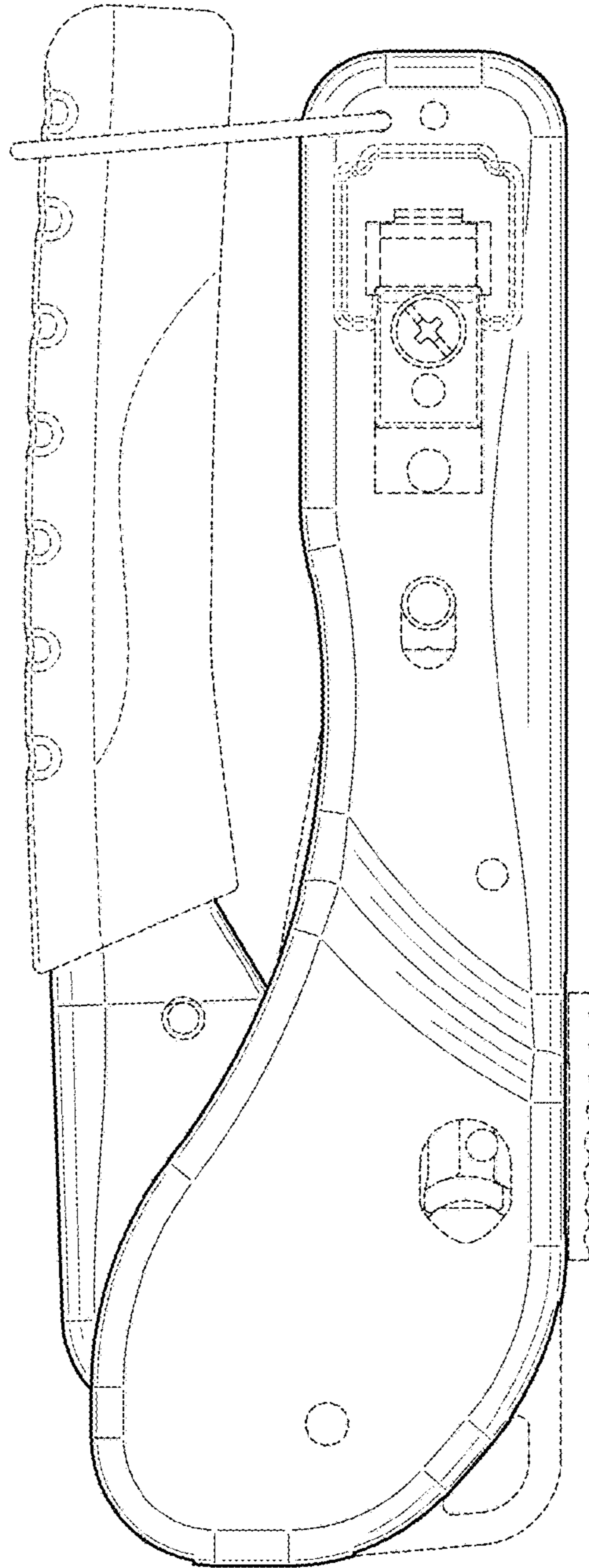


FIG. 4

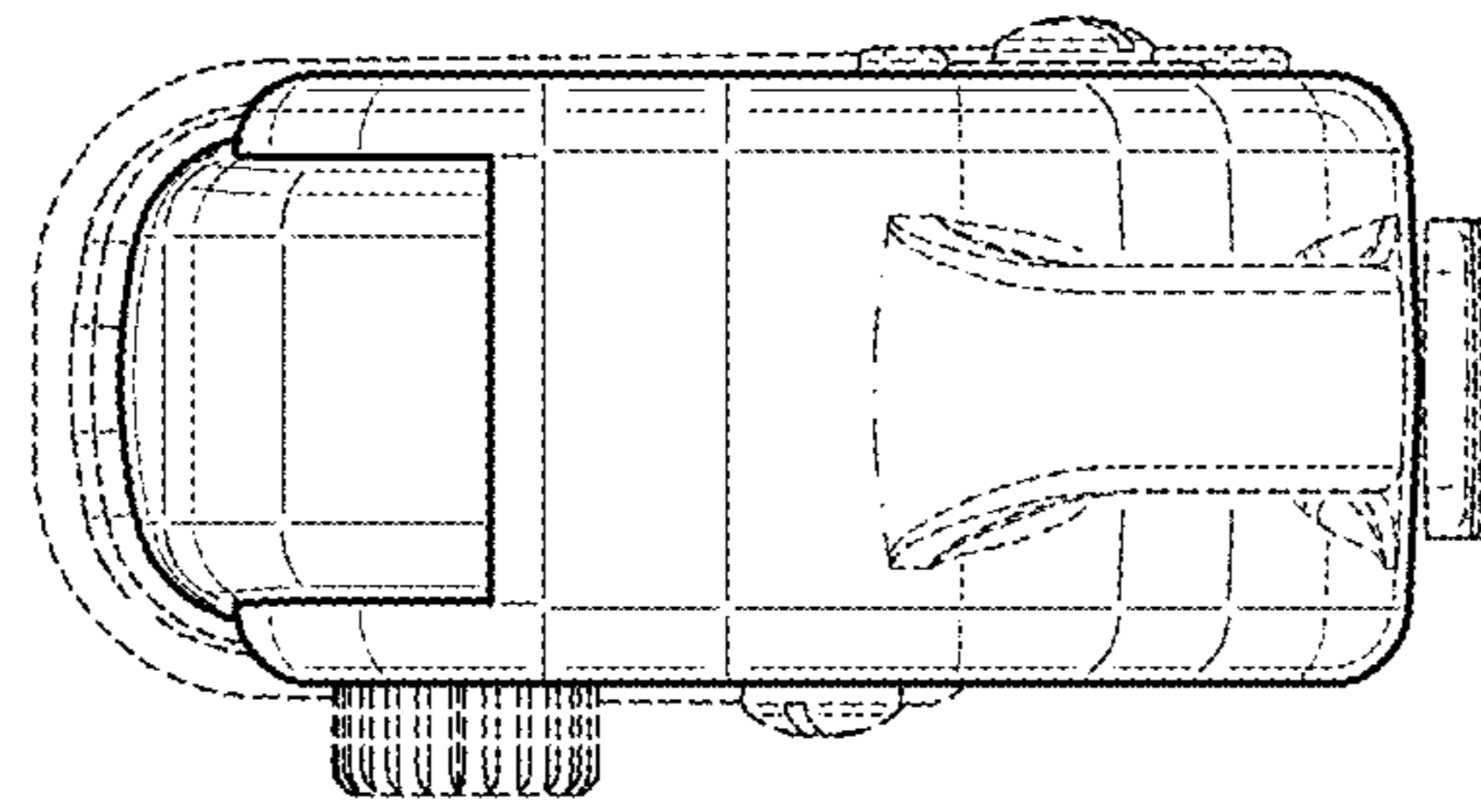


FIG. 6

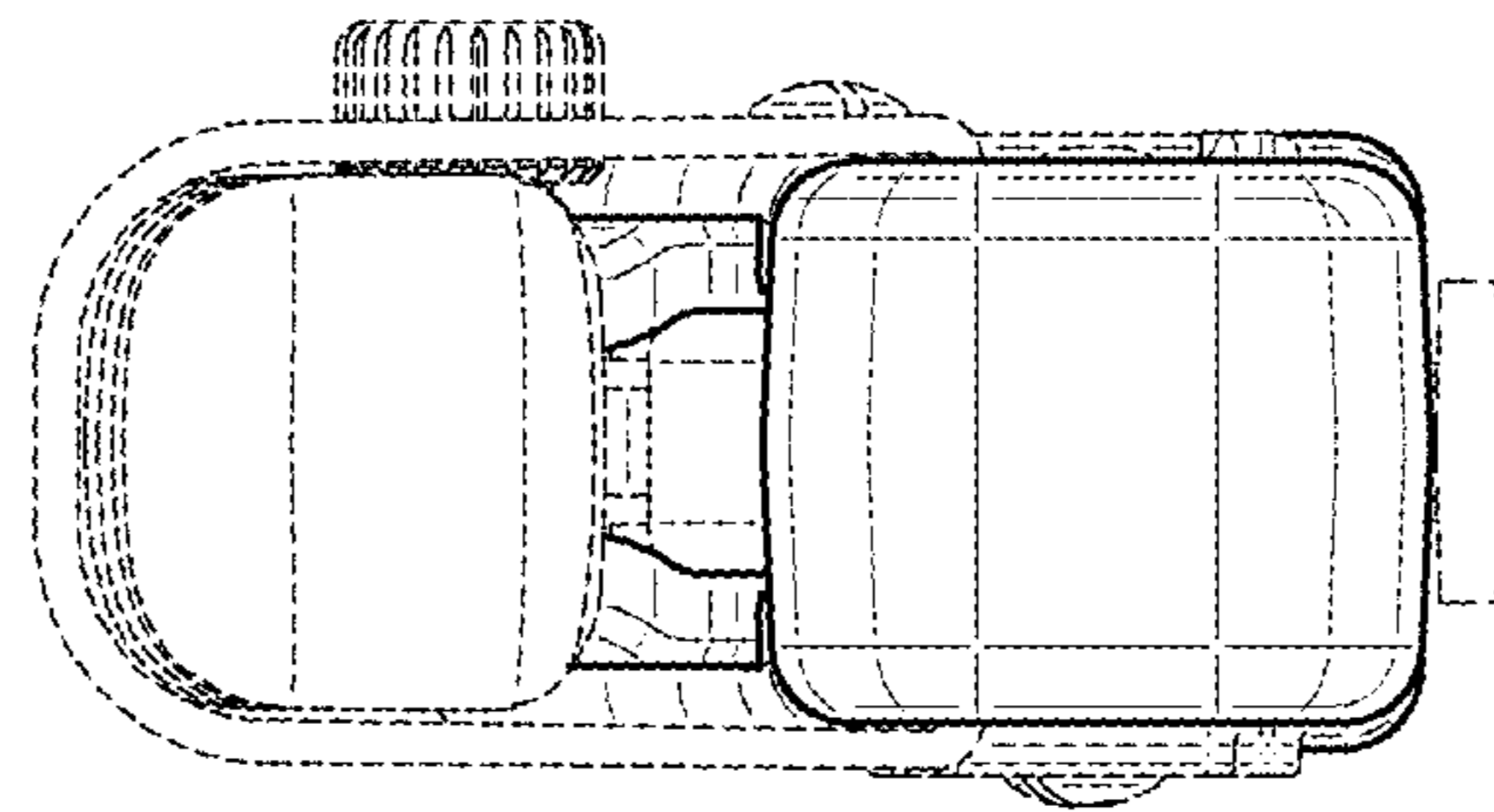


FIG. 5

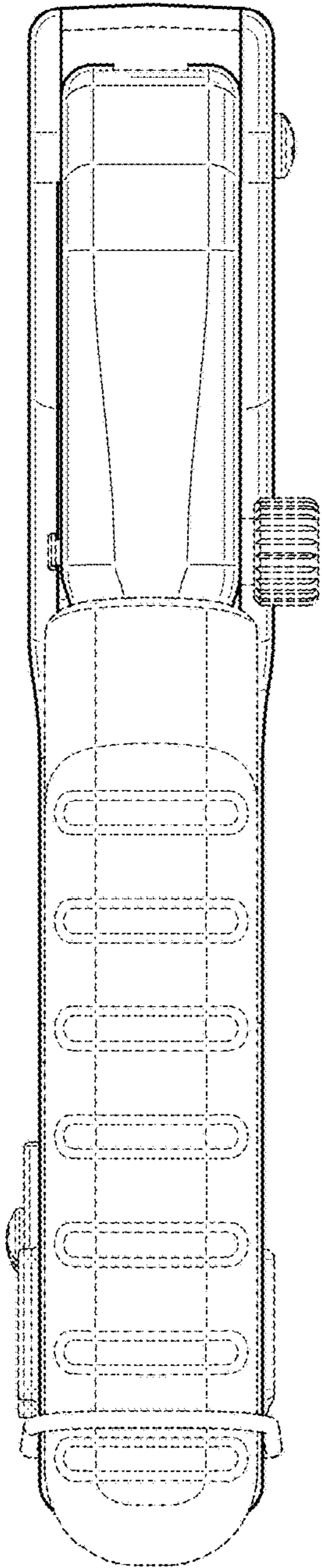


FIG. 7

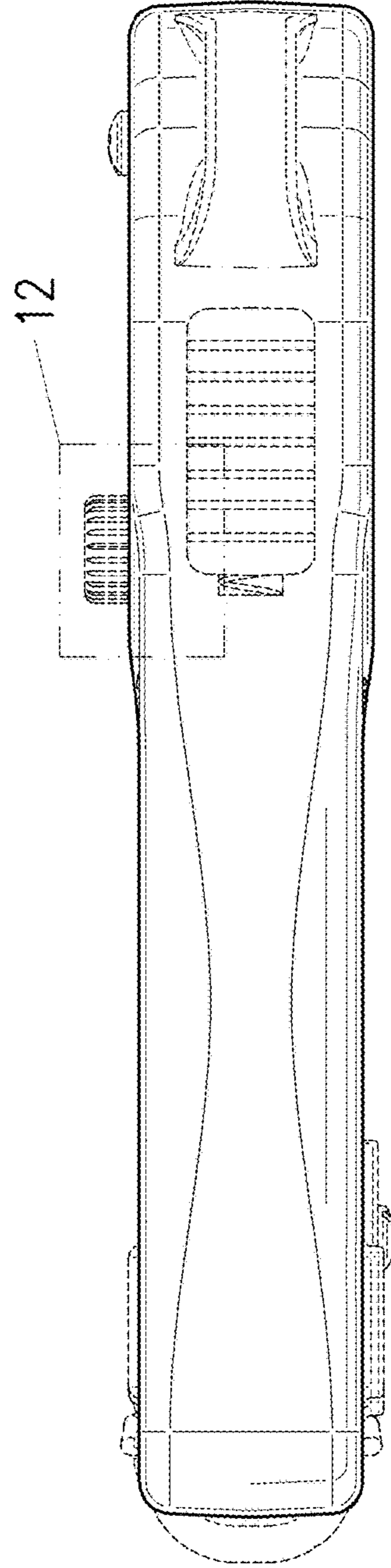


FIG. 8

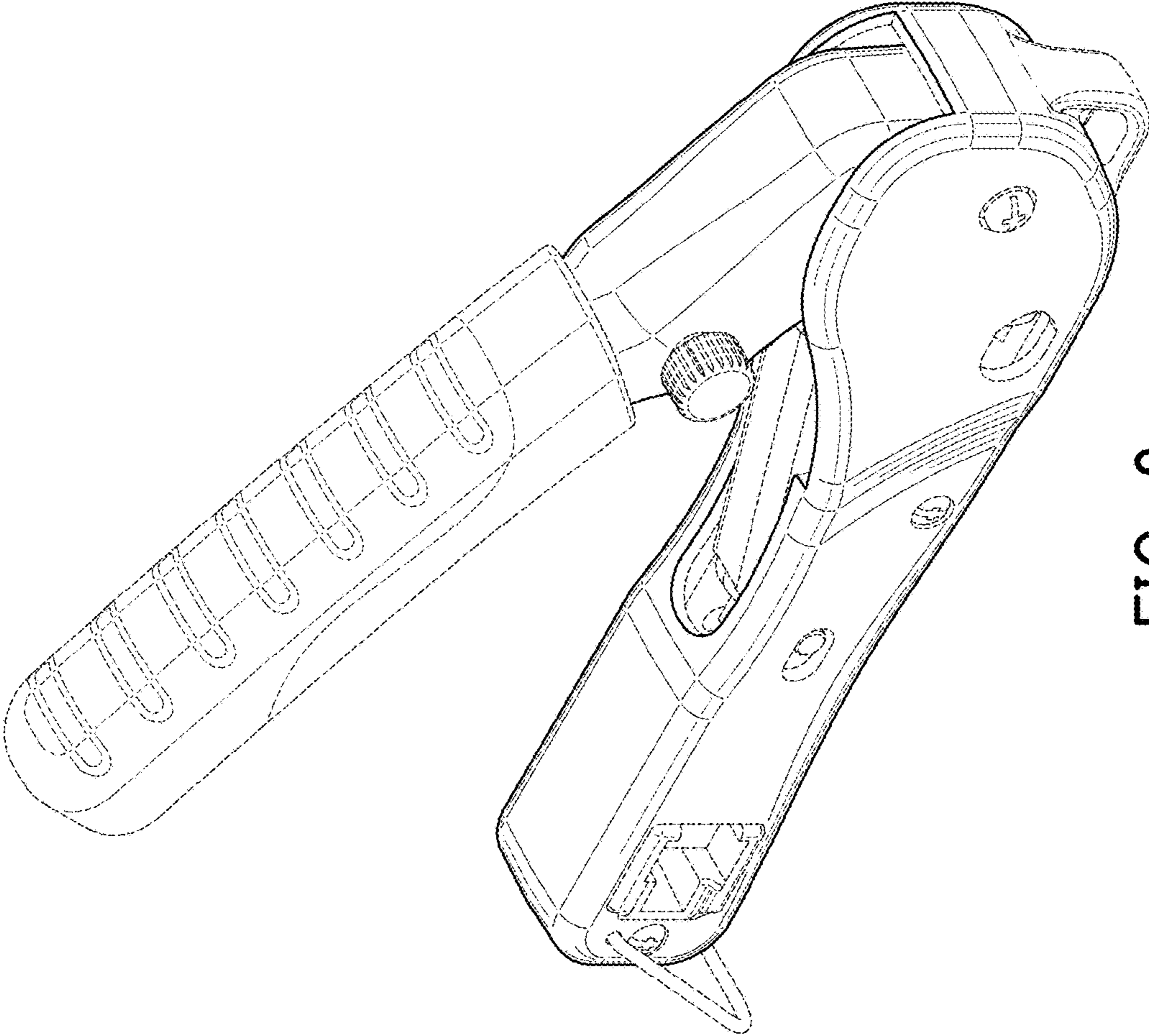


FIG. 9

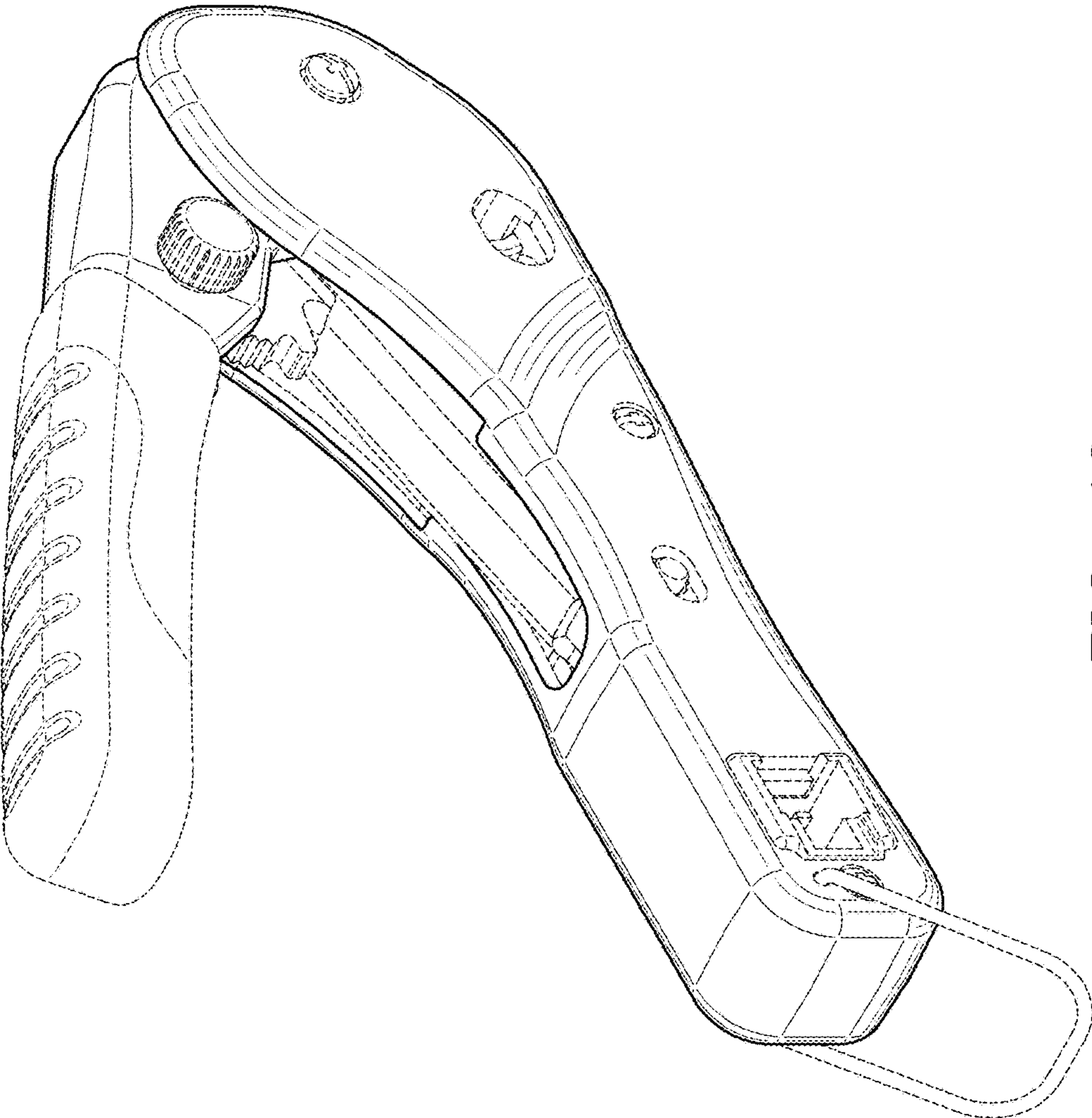


FIG. 10

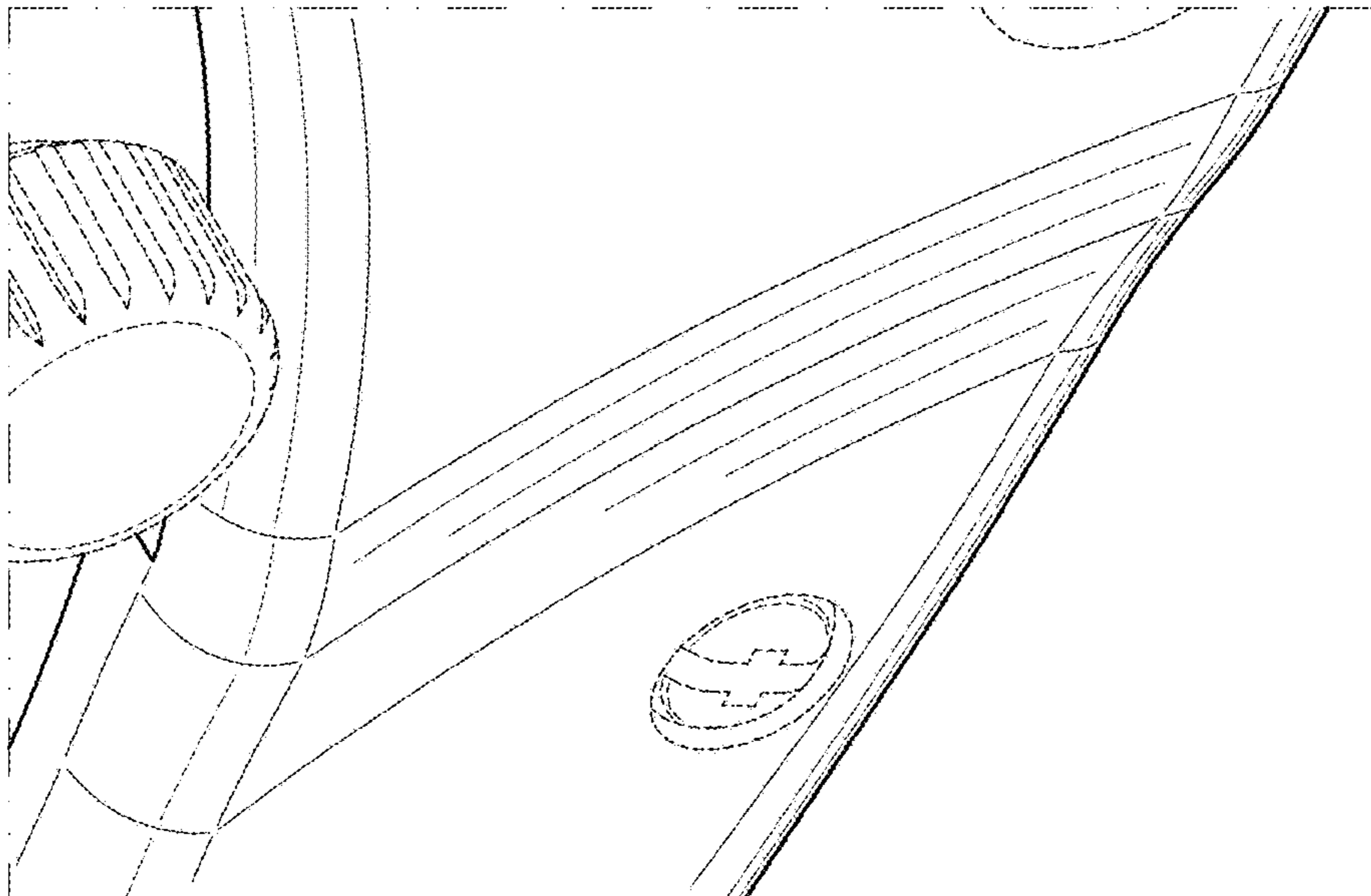


FIG. 11

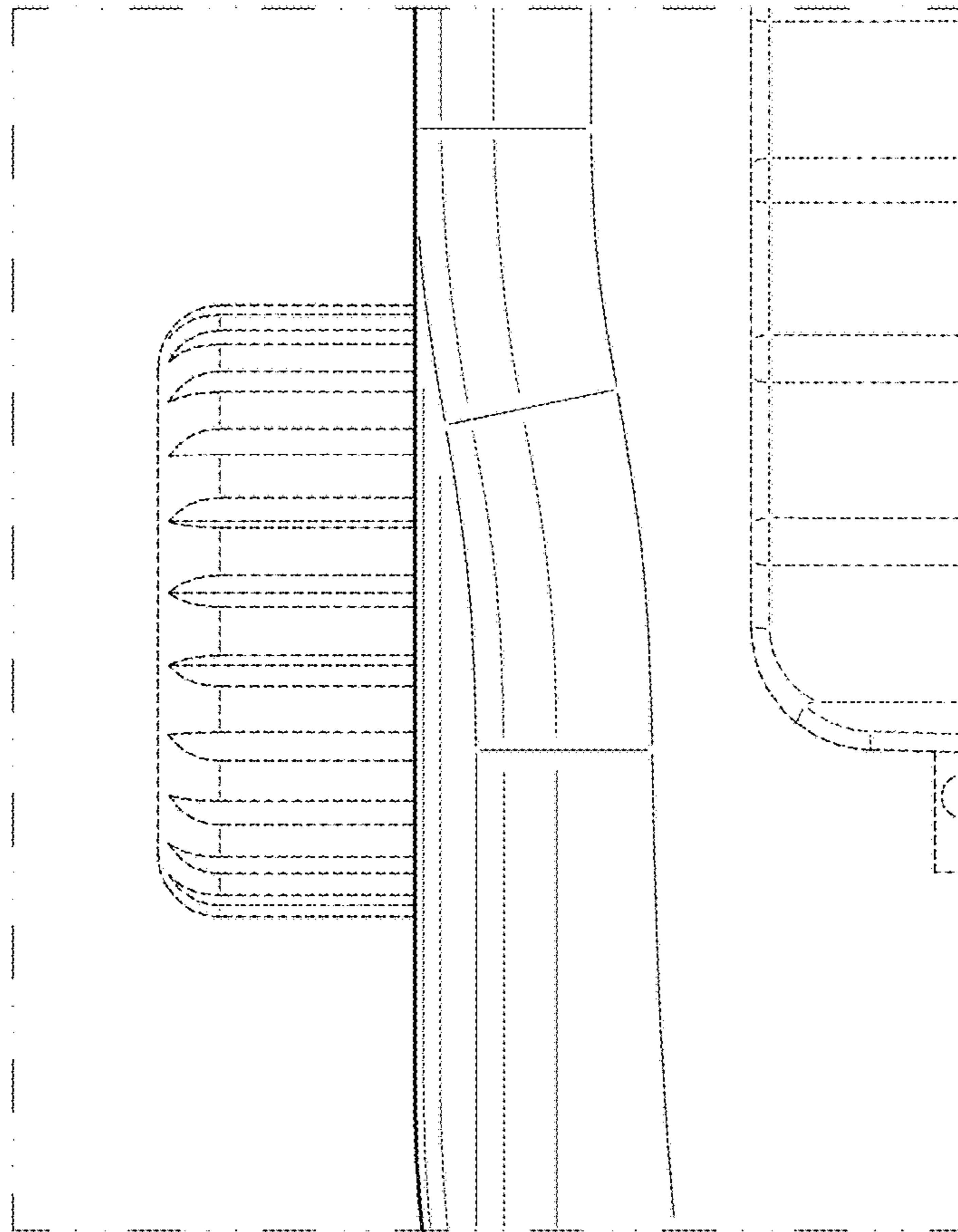


FIG. 12