



US00D836414S

(12) **United States Design Patent**  
**Hayes, II**

(10) **Patent No.:** **US D836,414 S**

(45) **Date of Patent:** **\*\* Dec. 25, 2018**

(54) **TROWEL**

(71) Applicant: **Maurice Cody Hayes, II**, Wetumpka,  
AL (US)

(72) Inventor: **Maurice Cody Hayes, II**, Wetumpka,  
AL (US)

(\*\*) Term: **15 Years**

(21) Appl. No.: **29/605,039**

(22) Filed: **May 23, 2017**

(51) **LOC (11) Cl.** ..... **08-05**

(52) **U.S. Cl.**  
USPC ..... **D8/45**

(58) **Field of Classification Search**  
USPC ..... D8/10, 14, 45; D32/46; D7/688, 692  
CPC ... E04F 21/161; E04F 21/165; E04F 21/1652;  
E04F 21/32; E04F 21/06  
See application file for complete search history.

(56) **References Cited**

U.S. PATENT DOCUMENTS

3,078,481	A *	2/1963	Goldman	.....	B63B 35/817 441/6
5,327,612	A *	7/1994	Kelsay	.....	B25G 1/10 15/143.1
5,636,845	A *	6/1997	Newnam	.....	F42B 6/08 30/344
6,513,199	B1 *	2/2003	Cheng	.....	B25G 3/32 15/235.4

D498,124	S *	11/2004	Mitchell	.....	D8/45
D506,114	S *	6/2005	Majeski	.....	D8/45
D584,119	S *	1/2009	Manzanares	.....	D8/45
D590,675	S *	4/2009	Manzanares	.....	D8/45
D674,258	S *	1/2013	Corzo	.....	D8/45
D684,025	S *	6/2013	Watson	.....	D7/688
D786,641	S *	5/2017	Morelli	.....	D8/45

\* cited by examiner

*Primary Examiner* — Philip S Hyder

(74) *Attorney, Agent, or Firm* — Dunlap Bennett &  
Ludwig PLLC

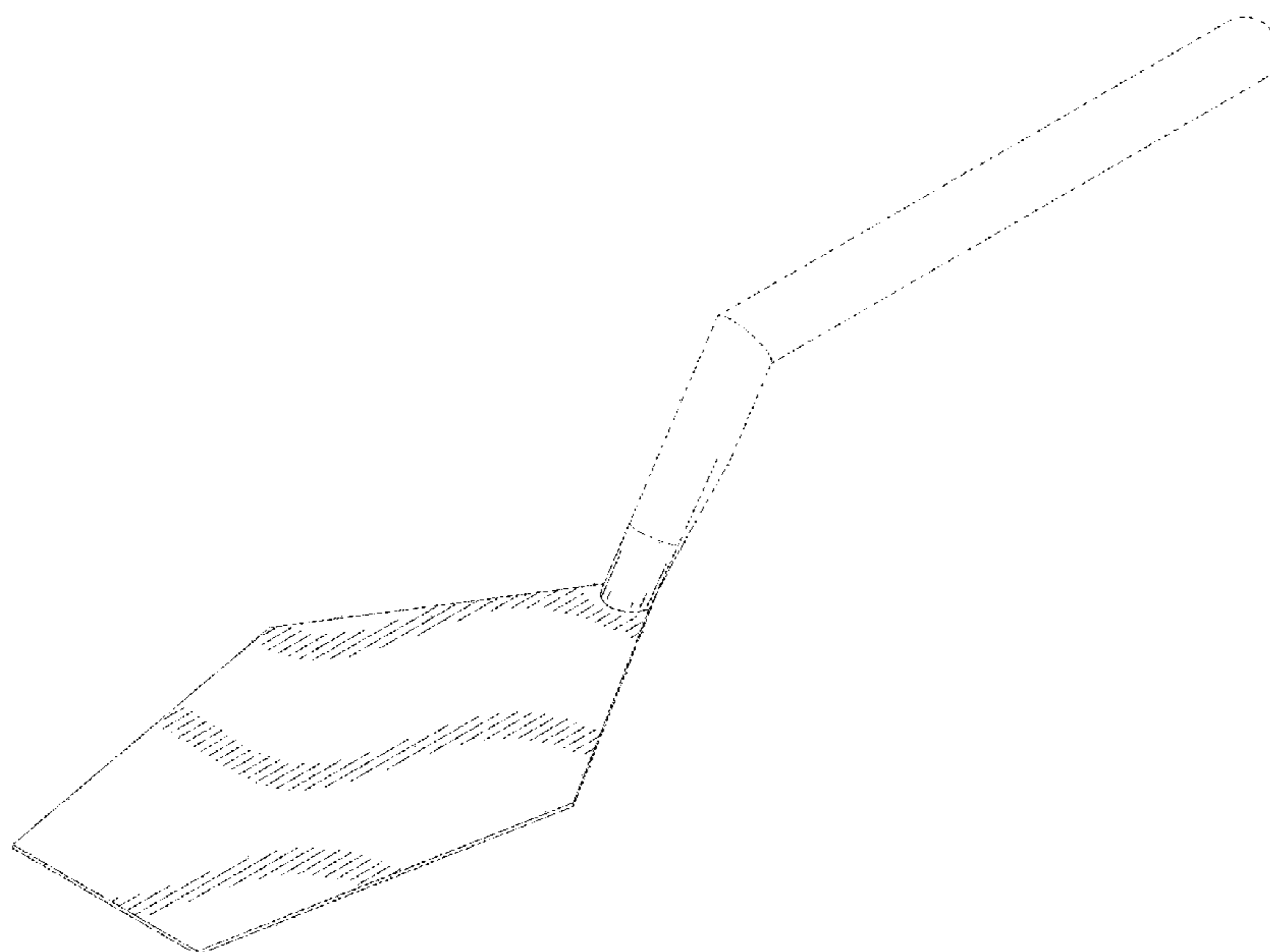
(57) **CLAIM**

The ornamental design for a trowel, as shown and described.

**DESCRIPTION**

FIG. 1 is a perspective view of a trowel, showing my new design;  
FIG. 2 is a bottom plan view thereof;  
FIG. 3 is a top plan view thereof;  
FIG. 4 is a right side elevation view thereof, the left side elevation being a mirror image thereof;  
FIG. 5 is a rear elevation view thereof; and,  
FIG. 6 is a front elevation view thereof.  
The broken lines shown in the drawings depict portions of the trowel that form no part of the claimed design.

**1 Claim, 3 Drawing Sheets**



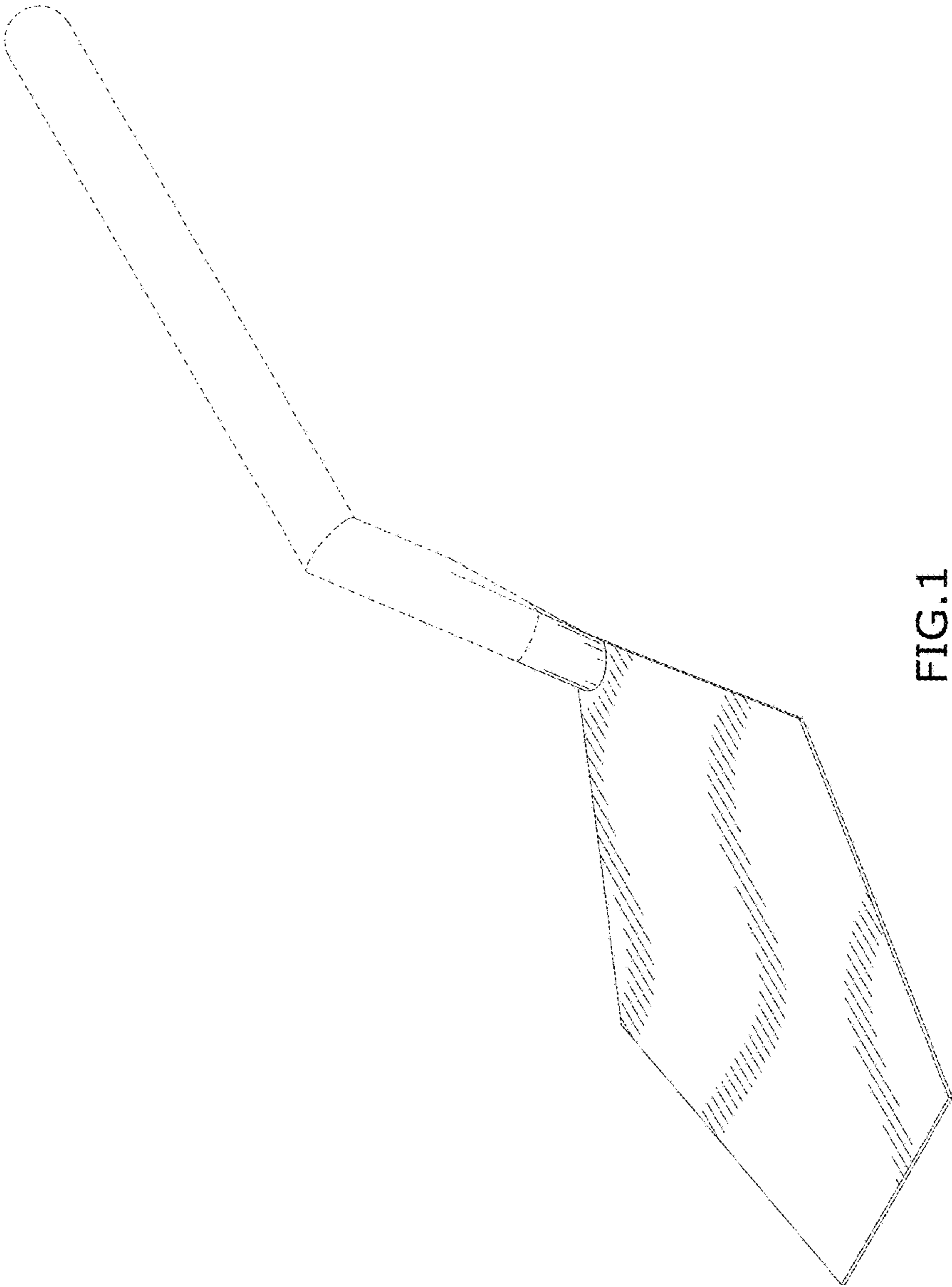


FIG. 1

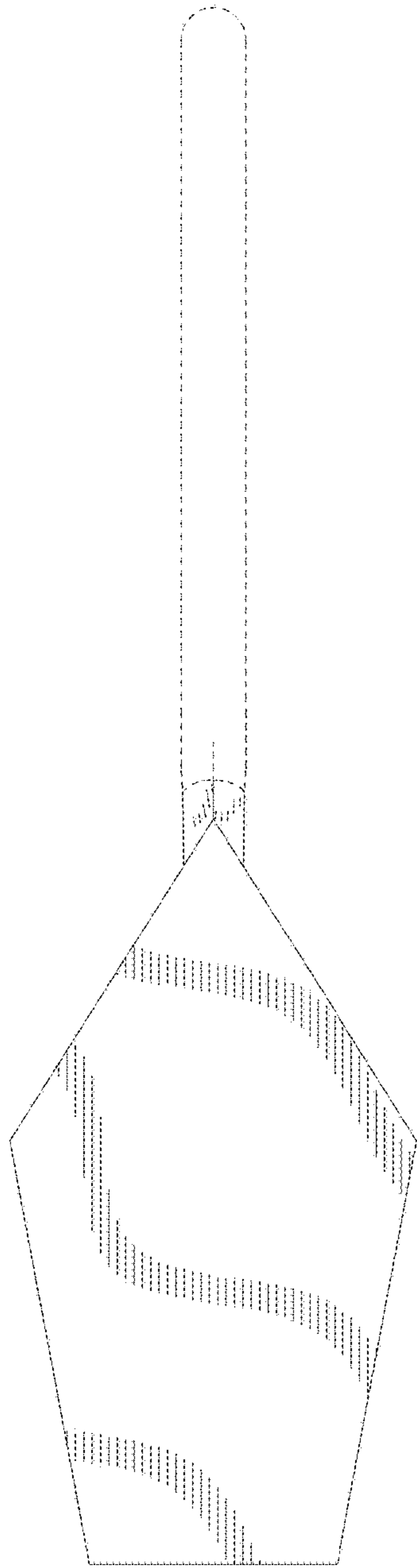


FIG. 2

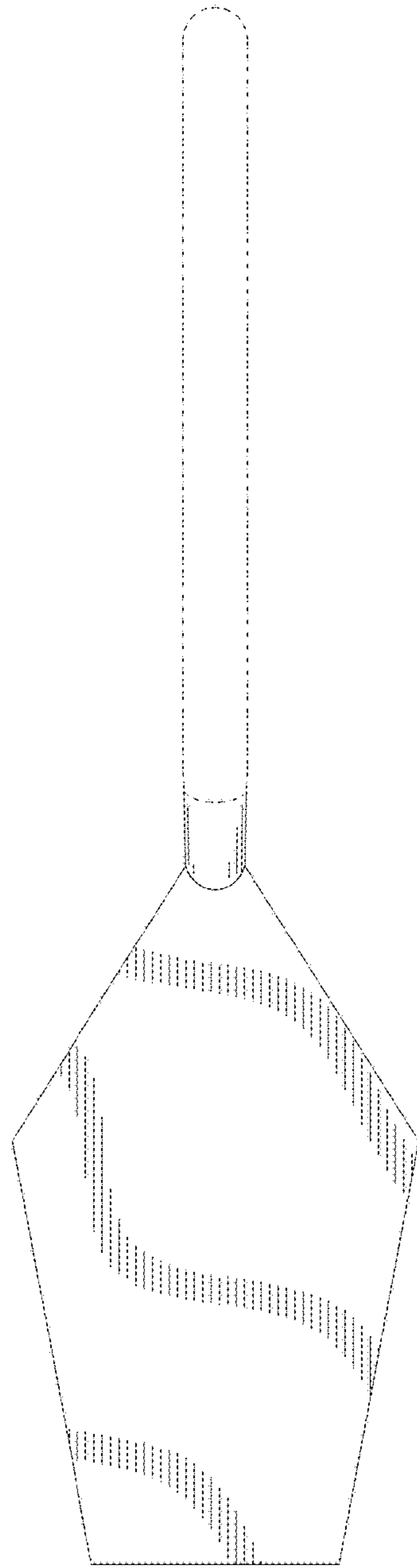


FIG. 3

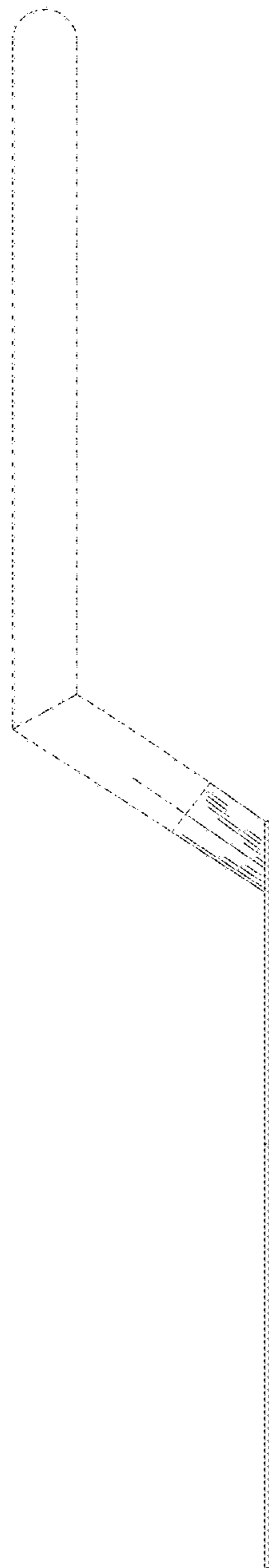


FIG. 4

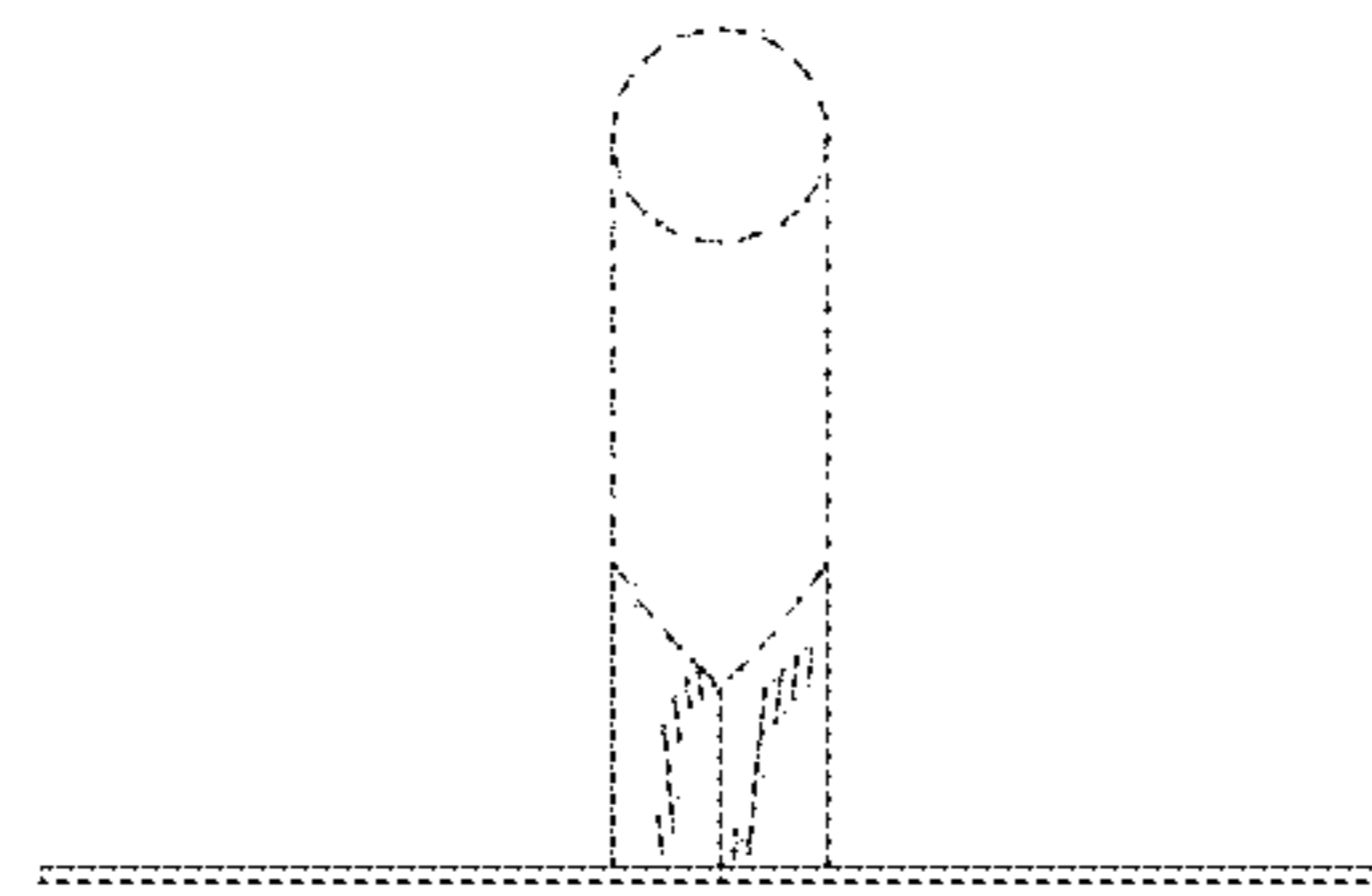


FIG. 5

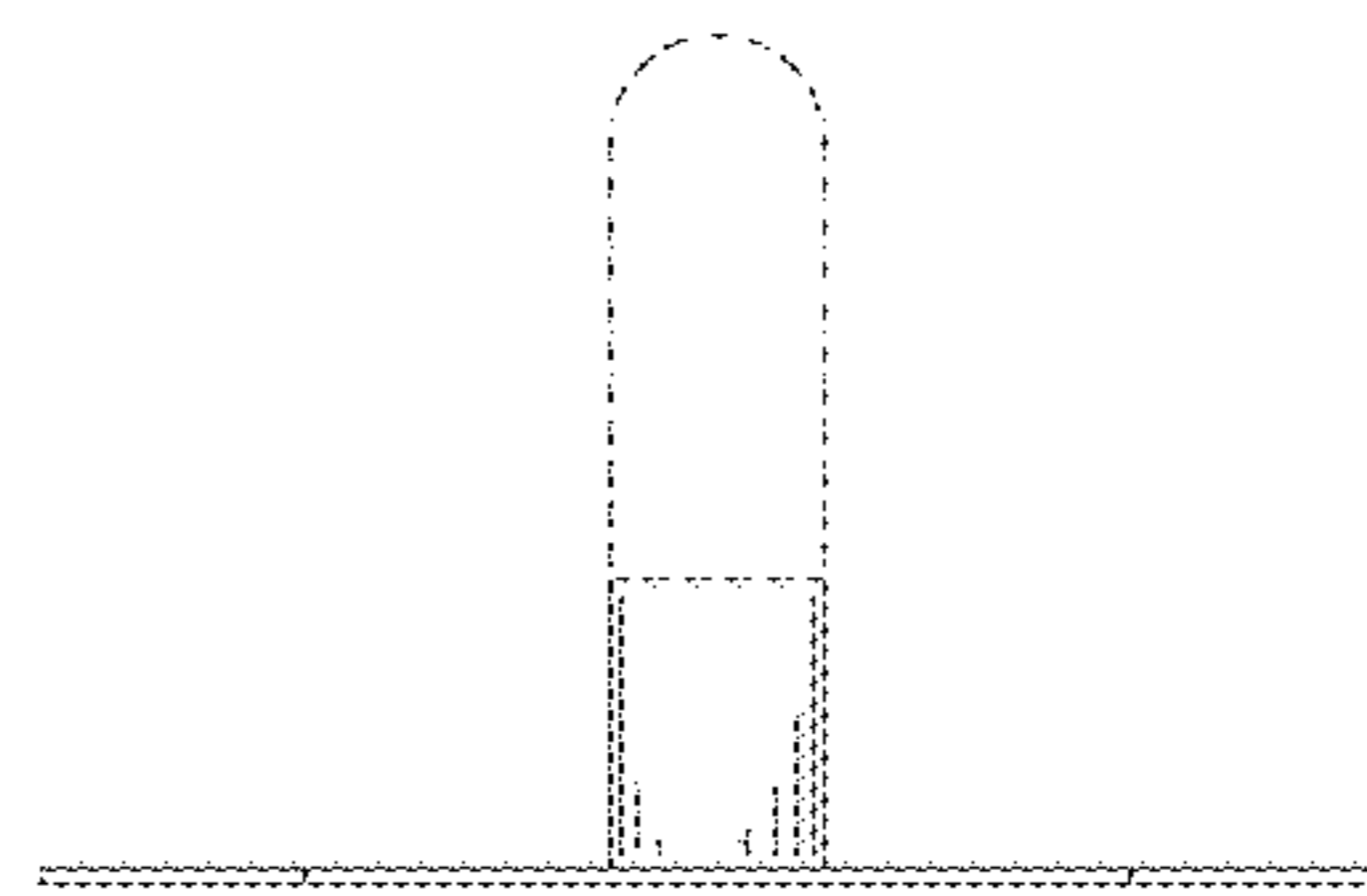


FIG. 6