



US00D836413S

(12) **United States Design Patent** (10) **Patent No.:** **US D836,413 S**
Fragale (45) **Date of Patent:** **** Dec. 25, 2018**

(54) **HEAD FOR GARDENING TOOL**
(71) Applicant: **SWAOFF, LLC**, Waltham, MA (US)
(72) Inventor: **Frank Fragale**, Waltham, MA (US)
(73) Assignee: **SWAOFF, LLC**, Waltham, MA (US)
(**) Term: **15 Years**
(21) Appl. No.: **29/603,069**
(22) Filed: **May 5, 2017**
(51) **LOC (11) Cl.** **08-01**
(52) **U.S. Cl.**
USPC **D8/13**
(58) **Field of Classification Search**
USPC D8/1, 13
CPC .. A01B 1/20; A01B 1/06; A01B 1/227; B25G
1/00; A01D 11/06; Y10T 403/7005; Y10T
403/46
See application file for complete search history.

D359,891 S * 7/1995 Hiller D8/9
D370,603 S * 6/1996 Lampman D8/11
D427,032 S * 6/2000 Holdcroft D8/11
D474,659 S * 5/2003 Sulier D8/9
D546,146 S * 7/2007 Hardy D8/13
D581,754 S * 12/2008 Vodrey D8/13
D640,104 S * 6/2011 Paolini D8/13
D676,726 S * 2/2013 Davis D8/13
8,960,743 B1 * 2/2015 Hasenjaeger A01L 31/227
294/51
D775,502 S * 1/2017 Klingman D8/11
D782,889 S * 4/2017 Vera Andrades D8/10

(Continued)

Primary Examiner — Sheryl Lane
(74) *Attorney, Agent, or Firm* — Kriegsman & Kriegsman

(57) **CLAIM**

The ornamental design for a head for gardening tool, as shown and described.

DESCRIPTION

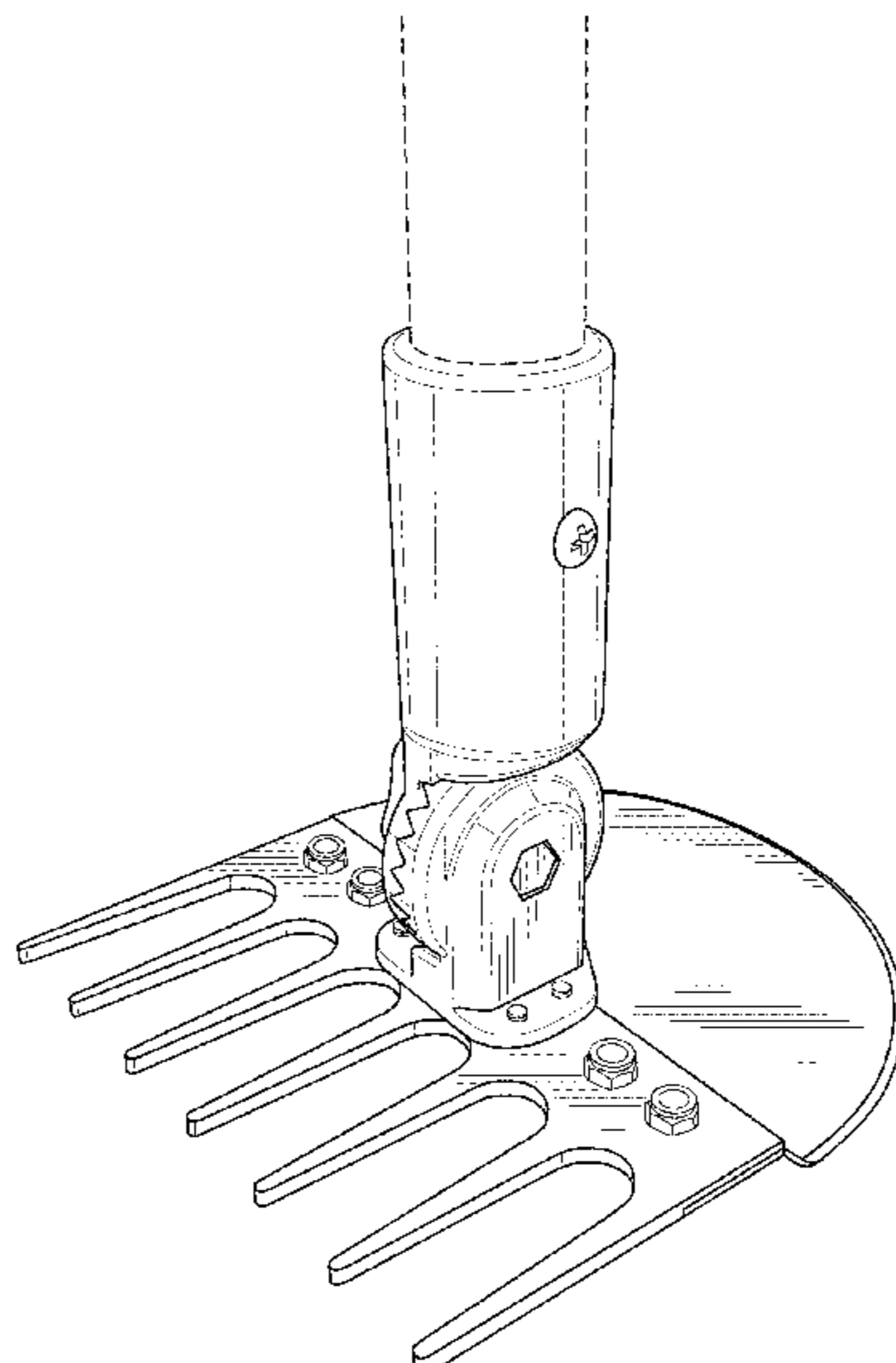
FIG. 1 is a front, top, right side perspective view of a head for gardening tool showing my new design;
FIG. 2 is a rear, top, left side perspective view of the head for gardening tool shown in FIG. 1;
FIG. 3 is a front, top perspective view of the head for gardening tool shown in FIG. 1;
FIG. 4 is a rear, top perspective view of the head for gardening tool shown in FIG. 1;
FIG. 5 is a top, front perspective view of the head for gardening tool shown in FIG. 1;
FIG. 6 is a bottom view of the head for gardening tool shown in FIG. 1;
FIG. 7 is a left side, top perspective view of the head for gardening tool shown in FIG. 1; and,
FIG. 8 is a right side, top perspective view of the head for gardening tool shown in FIG. 1.
The broken lines represent a portion of the tool and form no portion of the claimed design.

(56) **References Cited**

U.S. PATENT DOCUMENTS

332,350 A * 12/1885 Kretsinger A01B 1/20
172/375
1,169,284 A * 1/1916 Potter A01B 1/20
172/375
1,632,883 A * 6/1927 Carkey A01B 1/06
172/375
1,749,103 A * 3/1930 Kortick B25G 1/00
15/145
2,296,916 A * 9/1942 Gamburg A01B 1/20
172/375
D193,486 S * 8/1962 Wegner D8/6
D240,998 S * 8/1976 Salvatore D21/759
D303,912 S * 10/1989 Butler 294/179
5,004,053 A * 4/1991 Martell A01B 1/20
172/375
D317,854 S * 7/1991 Pifalo D8/11
D355,102 S * 2/1995 Fridlind D8/13

1 Claim, 8 Drawing Sheets



(56)

References Cited

U.S. PATENT DOCUMENTS

2003/0001400	A1*	1/2003	Kelzer	A01B 1/00 294/57
2012/0017561	A1*	1/2012	Fragale	A01D 7/04 56/400.04
2013/0146319	A1*	6/2013	Truex	A01B 1/20 172/378

* cited by examiner

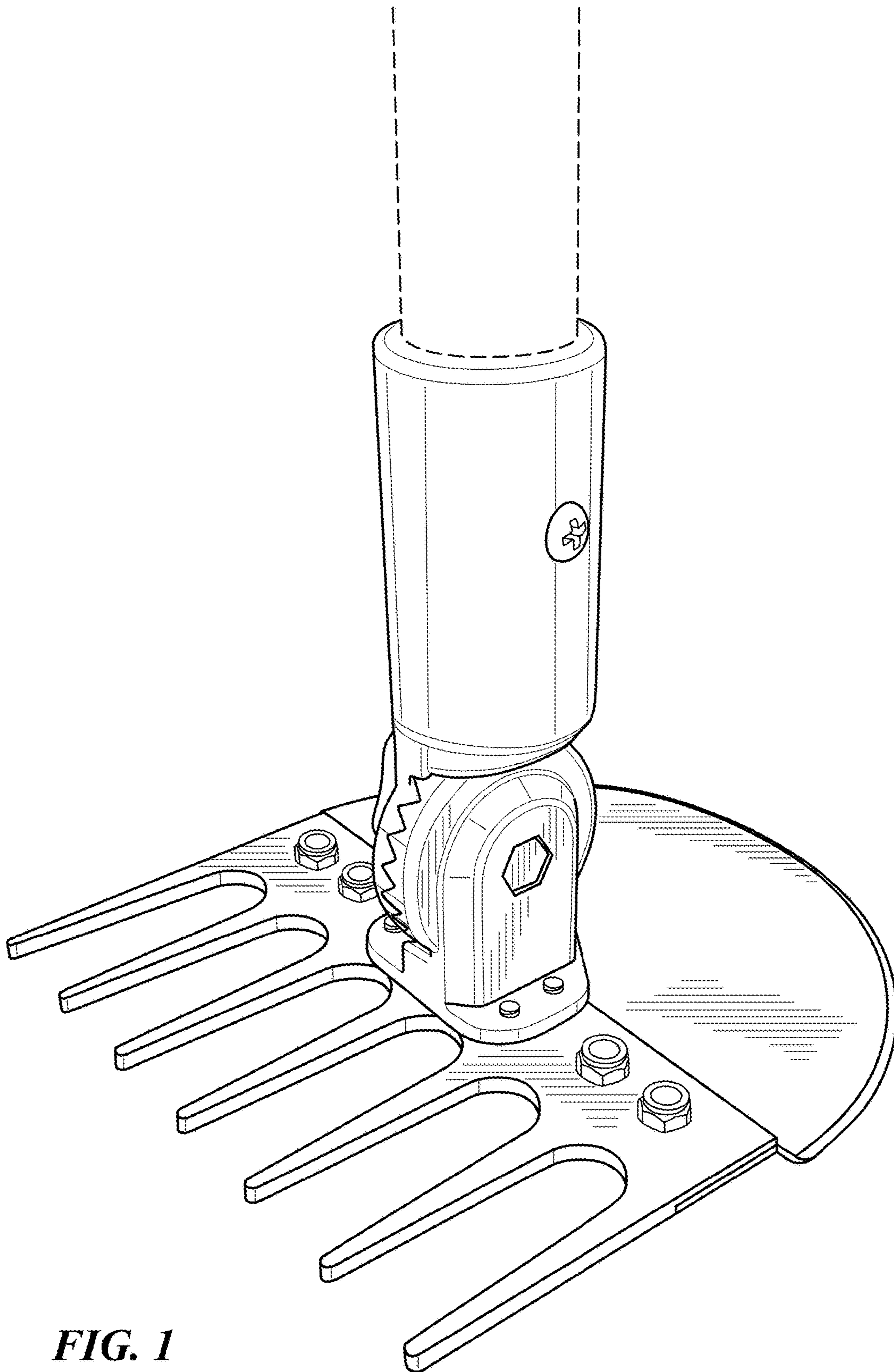


FIG. 1

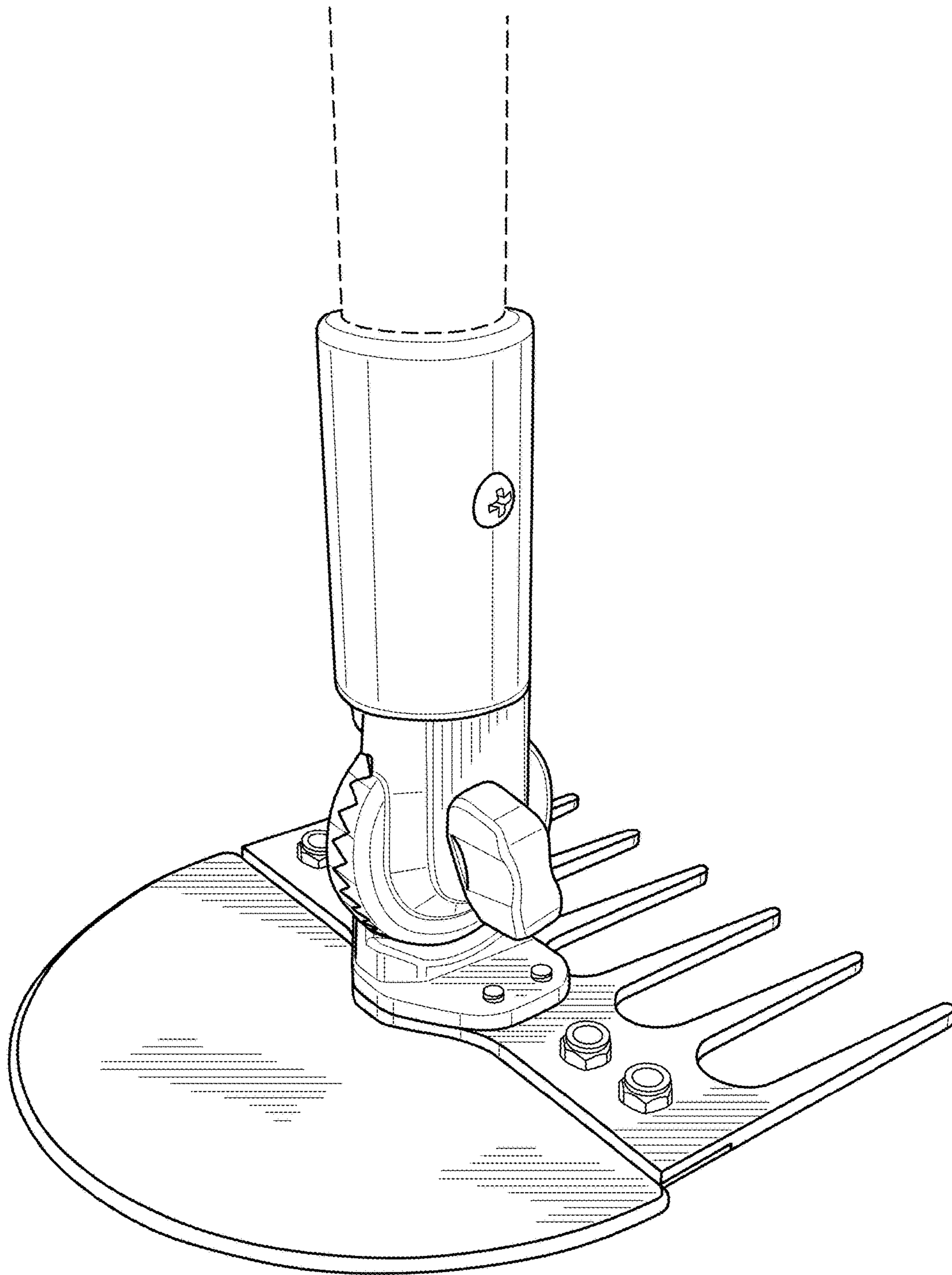


FIG. 2

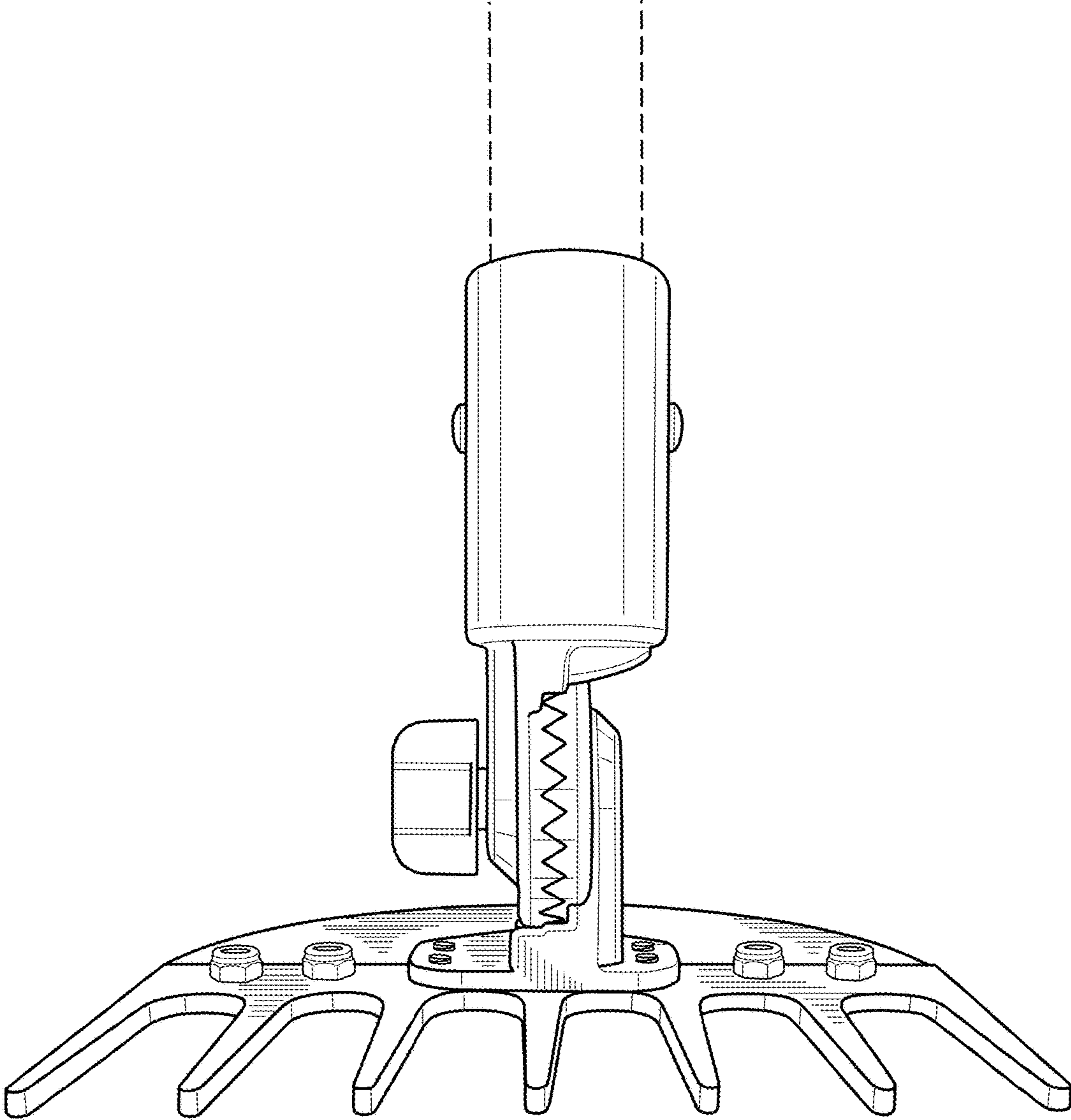


FIG. 3

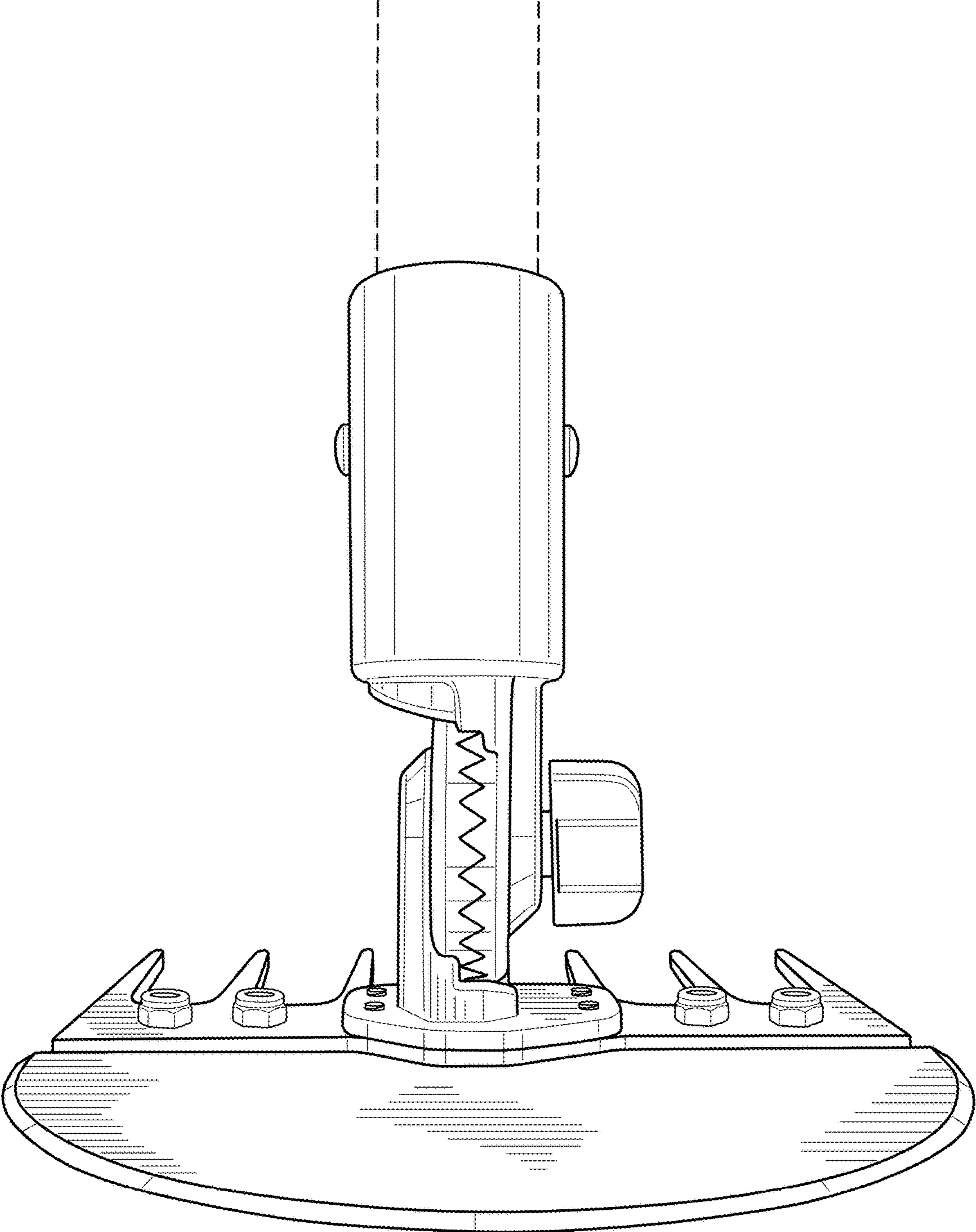


FIG. 4

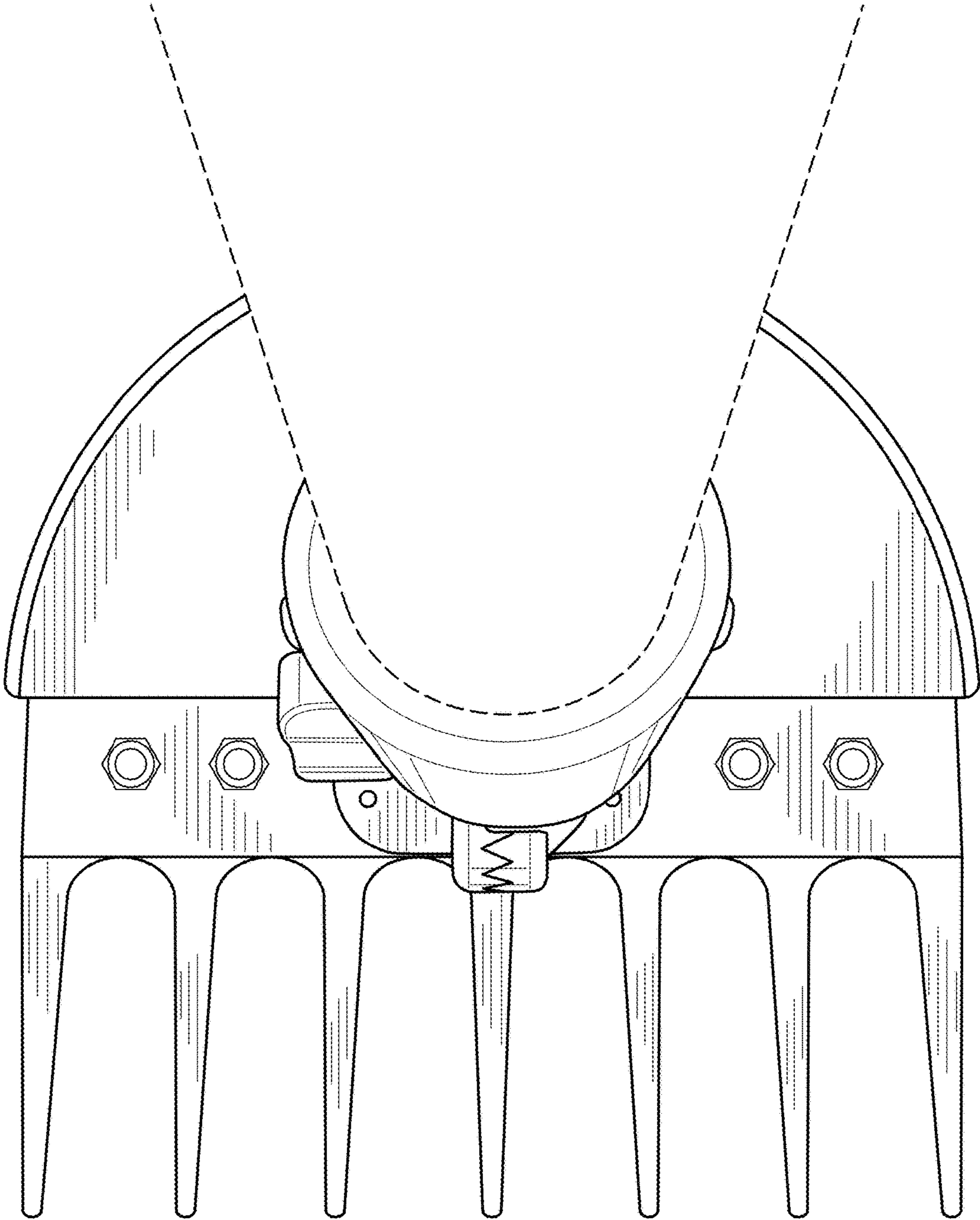


FIG. 5

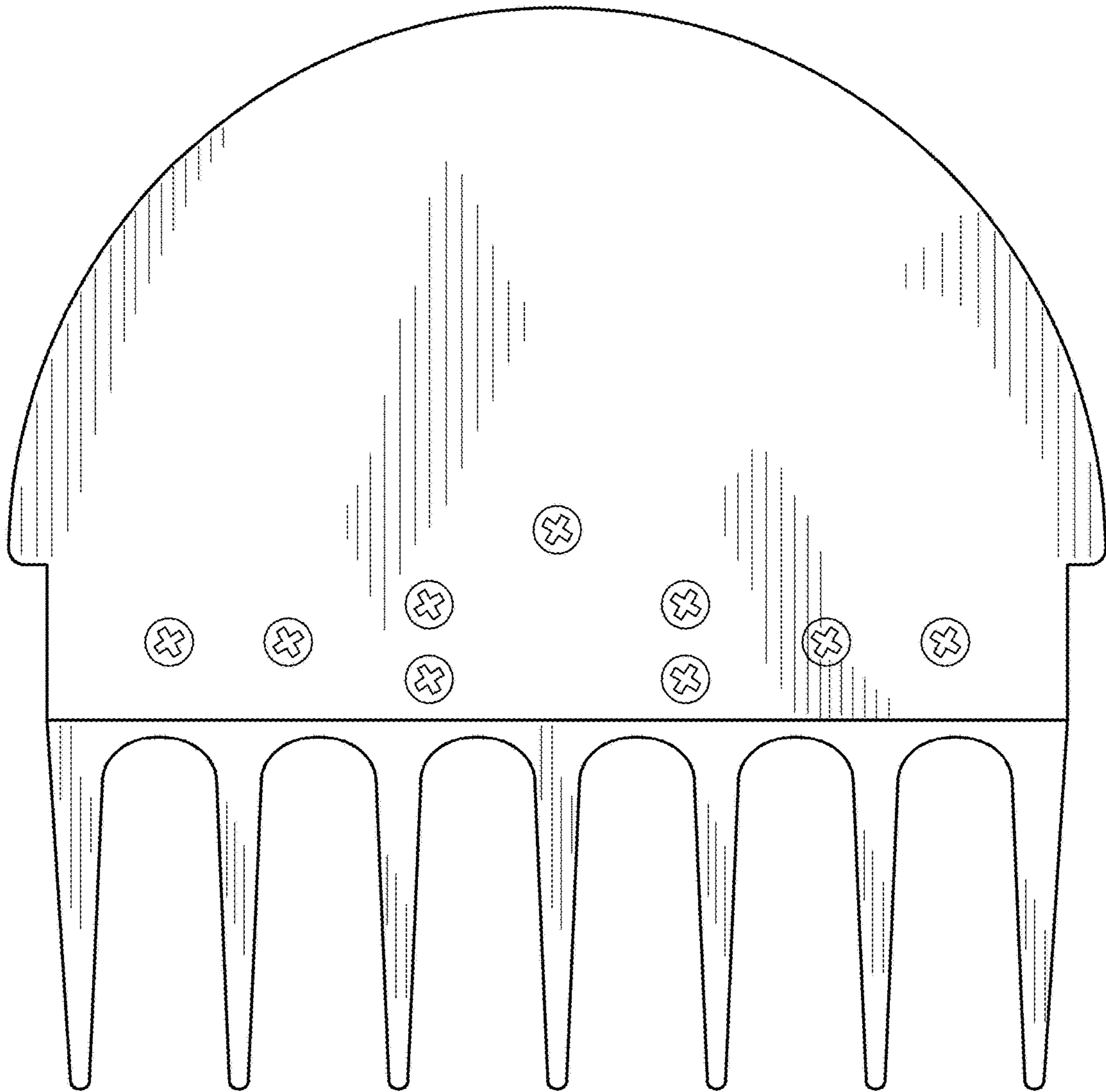


FIG. 6

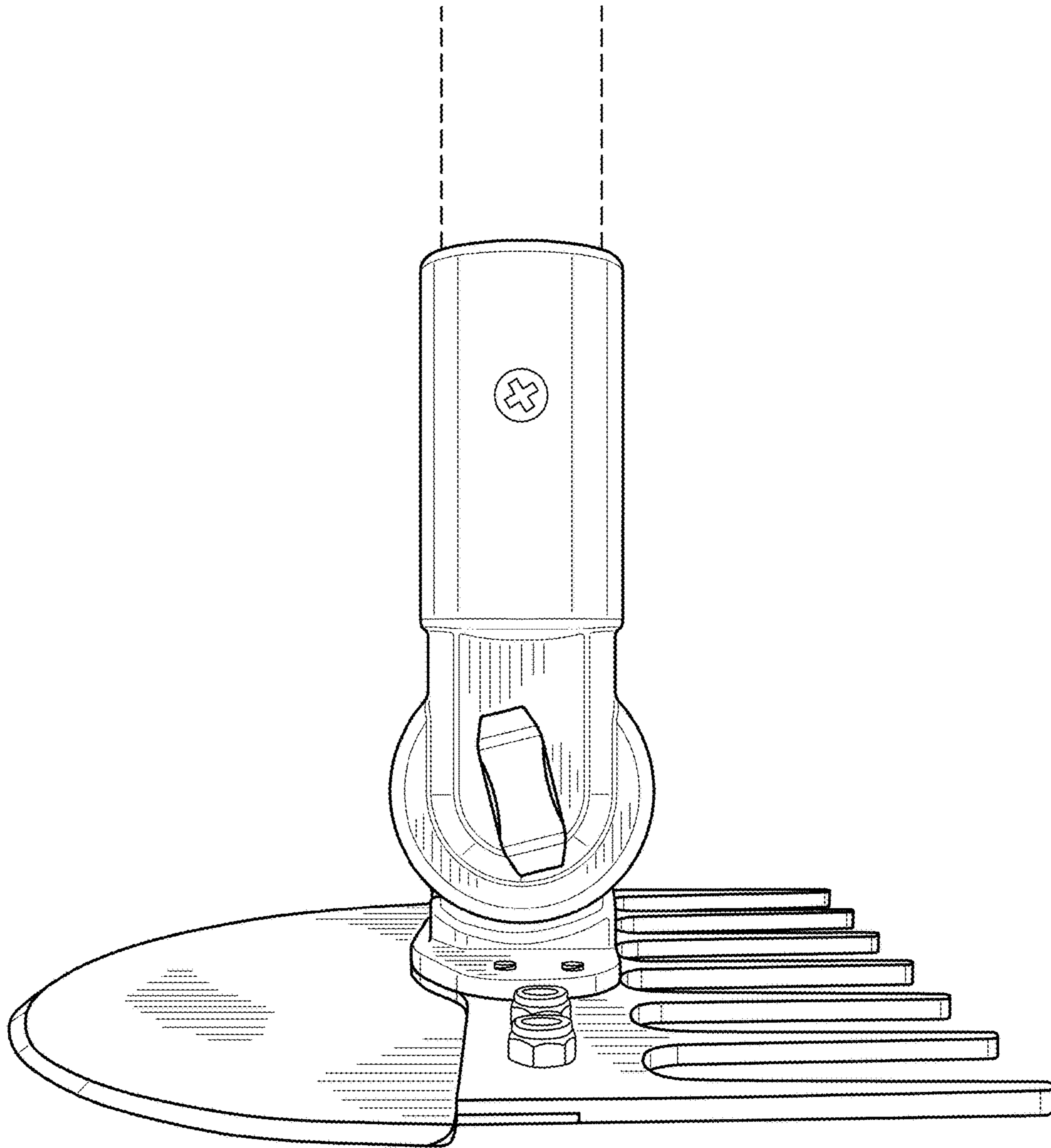


FIG. 7

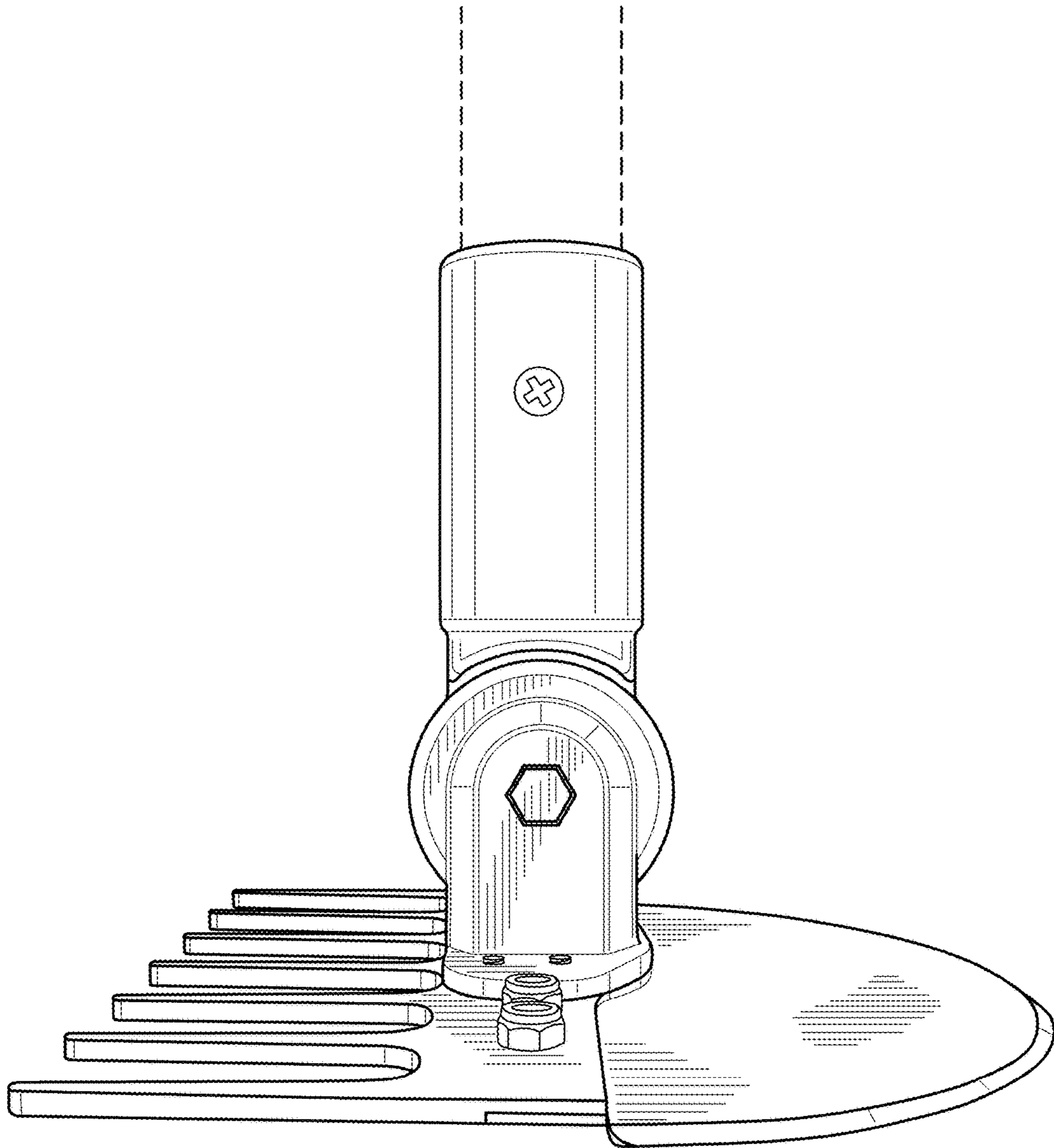


FIG. 8