



US00D836412S

(12) **United States Design Patent**
Cigarini

(10) **Patent No.:** **US D836,412 S**
(45) **Date of Patent:** **** Dec. 25, 2018**

- (54) **HEAD TRIMMER**
- (71) Applicant: **TECOMEC S.R.L.**, Reggio Emilia (RE) (IT)
- (72) Inventor: **Enrico Cigarini**, Reggio Emilia (IT)
- (73) Assignee: **TECOMEC S.R.L.**, Reggio Emilia (IT)
- (**) Term: **15 Years**
- (21) Appl. No.: **29/626,507**
- (22) Filed: **Nov. 17, 2017**
- (30) **Foreign Application Priority Data**
 - Jun. 28, 2017 (EM) 004071454
- (51) **LOC (11) Cl.** **08-01**
- (52) **U.S. Cl.**
USPC **D8/8**
- (58) **Field of Classification Search**
USPC D8/1, 8; D15/139
CPC A01D 34/416; A01D 34/4161; A01D 34/4165; A01D 34/4162; A01D 34/733
See application file for complete search history.

D598,254 S	8/2009	Alliss
D598,255 S	8/2009	Alliss
7,640,668 B2	1/2010	Iacona
D630,068 S	1/2011	Proulx
7,882,642 B2	2/2011	Proulx
7,913,401 B2	3/2011	Iacona
D638,678 S	5/2011	Proulx
D638,679 S	5/2011	Proulx
D653,920 S	2/2012	Cigarini
D668,517 S	10/2012	Landberg
8,510,960 B2	8/2013	Pfaltzgraff et al.
8,567,073 B2	10/2013	Proulx
8,689,451 B2	4/2014	Cigarini
D715,608 S	10/2014	Cigarini
8,869,405 B2	10/2014	Codeluppi et al.
D720,970 S	1/2015	Hermann
8,925,206 B2	1/2015	Cigarini
D727,116 S	4/2015	Tinius
D727,695 S	4/2015	Tinius
D759,445 S	6/2016	Tinius
D763,640 S	8/2016	Cigarini et al.
D776,995 S	1/2017	Schoch
D776,997 S	1/2017	Tinius
D796,293 S	9/2017	Alliss
9,750,181 B2	9/2017	Cigarini
D823,080 S	7/2018	Cigarini et al.

(Continued)

(56) **References Cited**

U.S. PATENT DOCUMENTS

4,152,832 A	5/1979	Akaike et al.
D254,173 S	2/1980	Proulx
4,195,408 A	4/1980	Palmieri et al.
4,276,691 A	7/1981	Palmieri et al.
4,349,962 A	9/1982	Itagaki et al.
D346,727 S	5/1994	Eriksson
D347,773 S	6/1994	Nash
D362,600 S	9/1995	Kiyooka et al.
D370,489 S	6/1996	Taggett et al.
D376,741 S	12/1996	Sadlowski
5,979,064 A	11/1999	Kitz et al.
6,108,914 A	8/2000	Sheldon
D460,904 S	7/2002	Riley et al.
D465,975 S	11/2002	Iacona
D479,961 S	9/2003	Iacona
D482,581 S	11/2003	Nystrom
D482,941 S	12/2003	Nystrom
D502,368 S	3/2005	Nystrom et al.
D532,263 S	11/2006	Iacona
D560,107 S	1/2008	Grey
D584,581 S	1/2009	Bradford
D597,804 S	8/2009	Alliss

FOREIGN PATENT DOCUMENTS

WO 2013179318 A1 12/2013

Primary Examiner — Sheryl Lane
(74) *Attorney, Agent, or Firm* — Pearne & Gordon LLP

(57) **CLAIM**

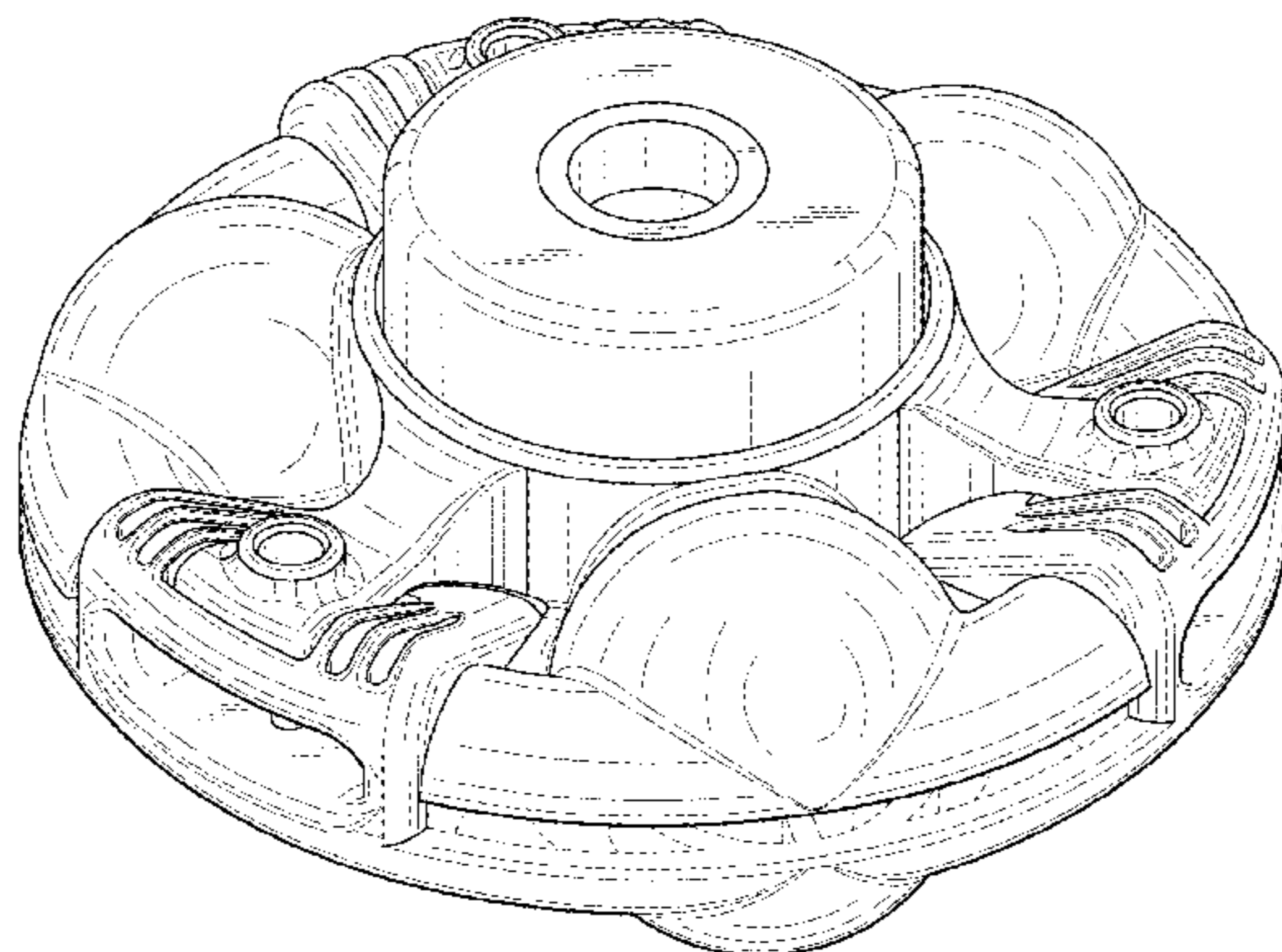
The ornamental design for a head trimmer, as shown and described.

DESCRIPTION

FIG. 1 is a perspective view of a head trimmer, showing my new design;
FIG. 2 is a top view thereof;
FIG. 3 is a front view thereof;
FIG. 4 is a back view thereof;
FIG. 5 is a left side view thereof;
FIG. 6 is a right side view thereof; and,
FIG. 7 is a bottom view thereof.

The broken lines in the drawings represent unclaimed subject matter and form no part of the claimed design.

1 Claim, 4 Drawing Sheets



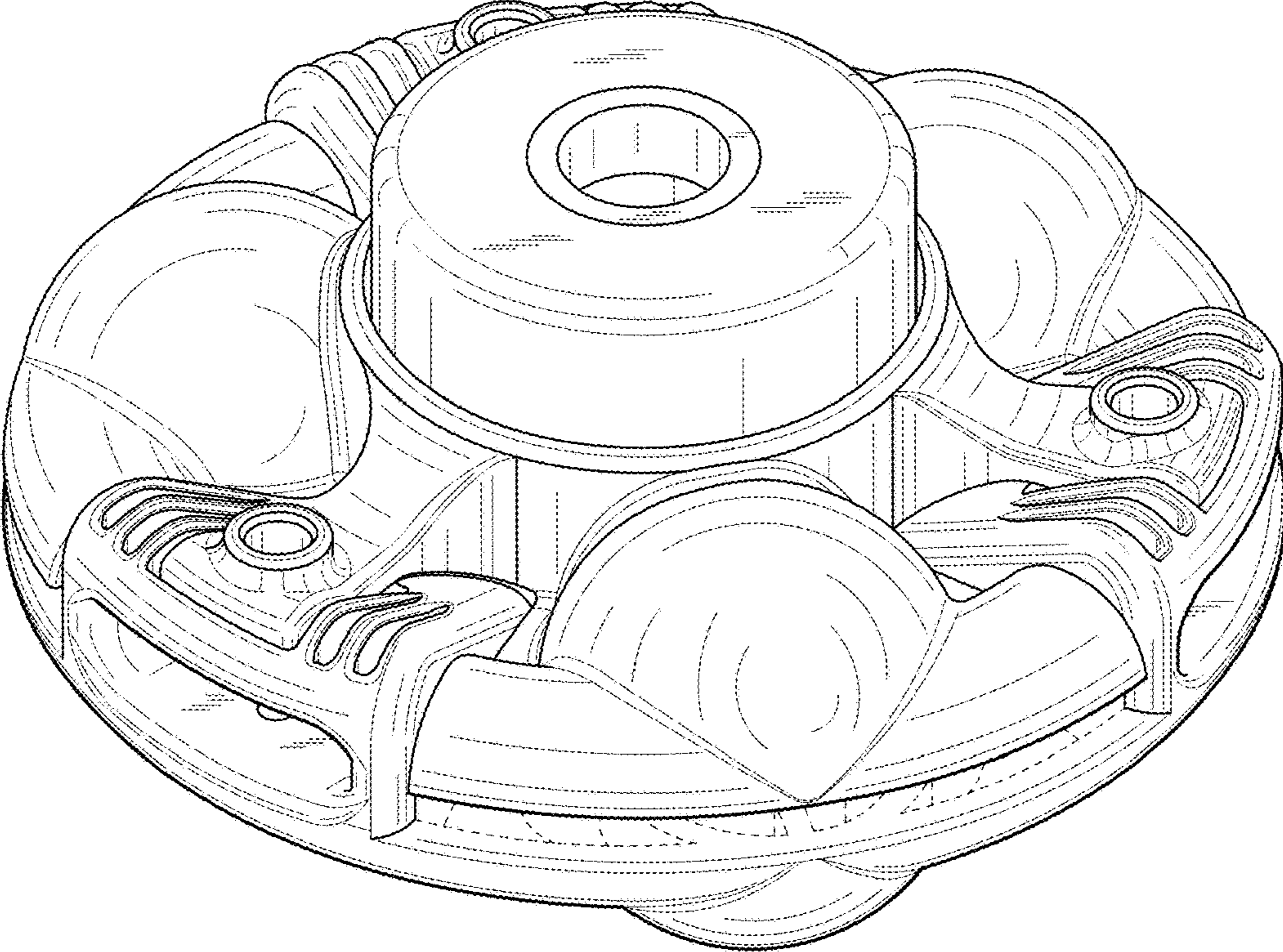
(56)

References Cited

U.S. PATENT DOCUMENTS

2002/0189107	A1	12/2002	Arnetoli
2007/0214655	A1	9/2007	Arnetoli
2008/0053052	A1	3/2008	Cigarini
2009/0172955	A1	7/2009	Morris et al.
2010/0154229	A1	6/2010	Iacona
2010/0180451	A1	7/2010	Reynolds et al.
2011/0000091	A1	1/2011	Proulx
2011/0119932	A1	5/2011	Pfaltzgraff et al.
2011/0214295	A1	9/2011	Proulx
2011/0225832	A1	9/2011	Alliss
2011/0289785	A1	12/2011	Jerez
2011/0302791	A1	12/2011	Proulx et al.
2011/0302793	A1	12/2011	Alliss
2012/0131804	A1	5/2012	Cigarini
2012/0260508	A1	10/2012	Duvall
2014/0033546	A1	2/2014	Arnetoli
2014/0215835	A1	8/2014	Racov et al.
2014/0250699	A1	9/2014	Weimer et al.
2014/0259692	A1	9/2014	Racov et al.
2015/0010199	A1	1/2015	Kim et al.
2015/0101199	A1	4/2015	Cigarini
2015/0223395	A1	8/2015	Pellenc et al.
2015/0289446	A1	10/2015	Duvall
2015/0327436	A1	11/2015	Skinner et al.
2015/0366131	A1	12/2015	Skinner
2016/0106032	A1	4/2016	Cigarini et al.
2016/0106033	A1	4/2016	Longo et al.
2016/0106034	A1	4/2016	Arnetoli
2016/0106035	A1	4/2016	Longo et al.
2016/0143219	A1	5/2016	Yuan et al.
2016/0235001	A1	8/2016	Cigarini et al.
2016/0330903	A1	11/2016	Miller et al.
2017/0094900	A1	4/2017	Arnetoli
2017/0208739	A1	7/2017	Arnetoli

FIG. 1



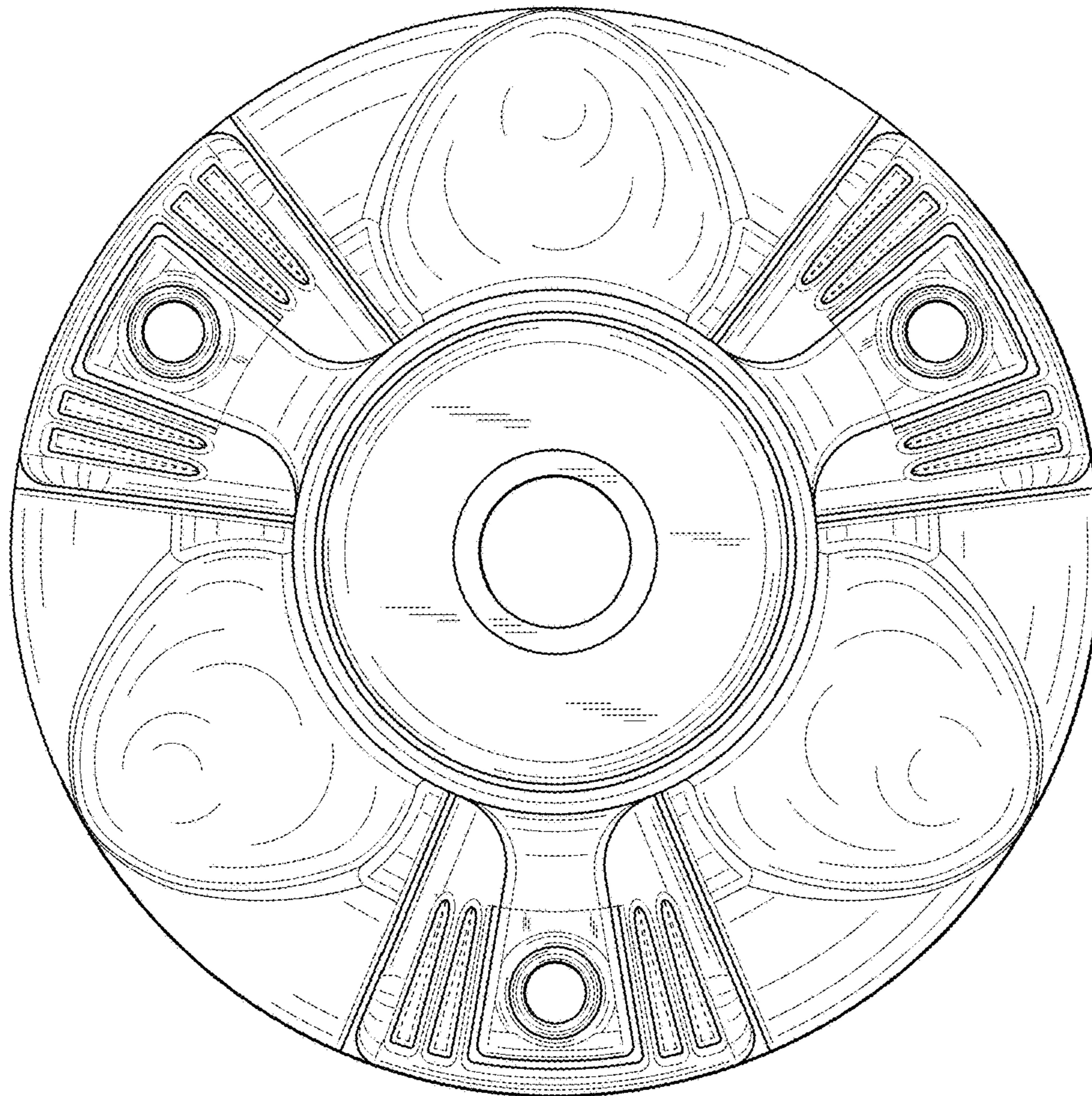


FIG. 2

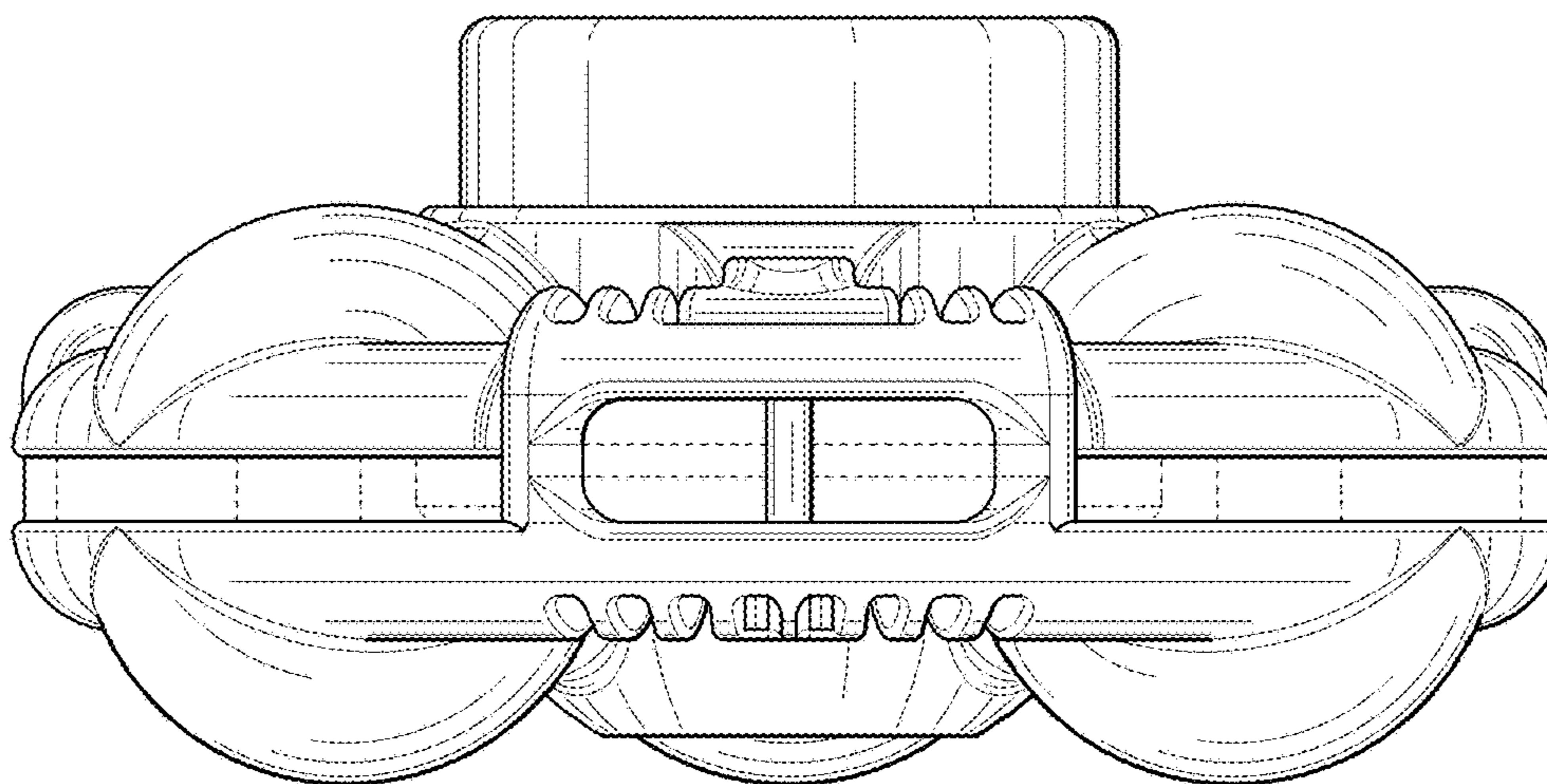


FIG. 3

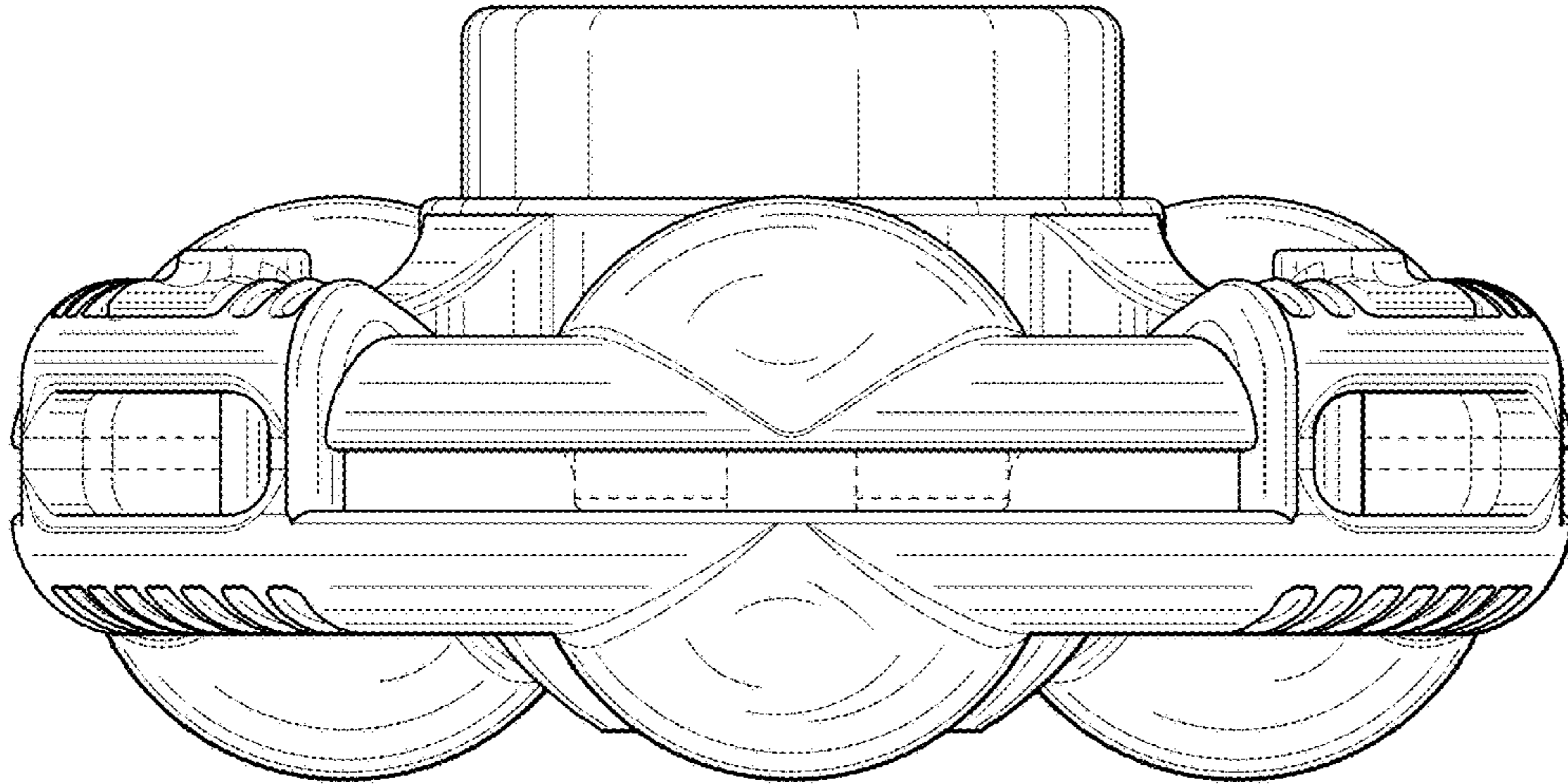


FIG. 4

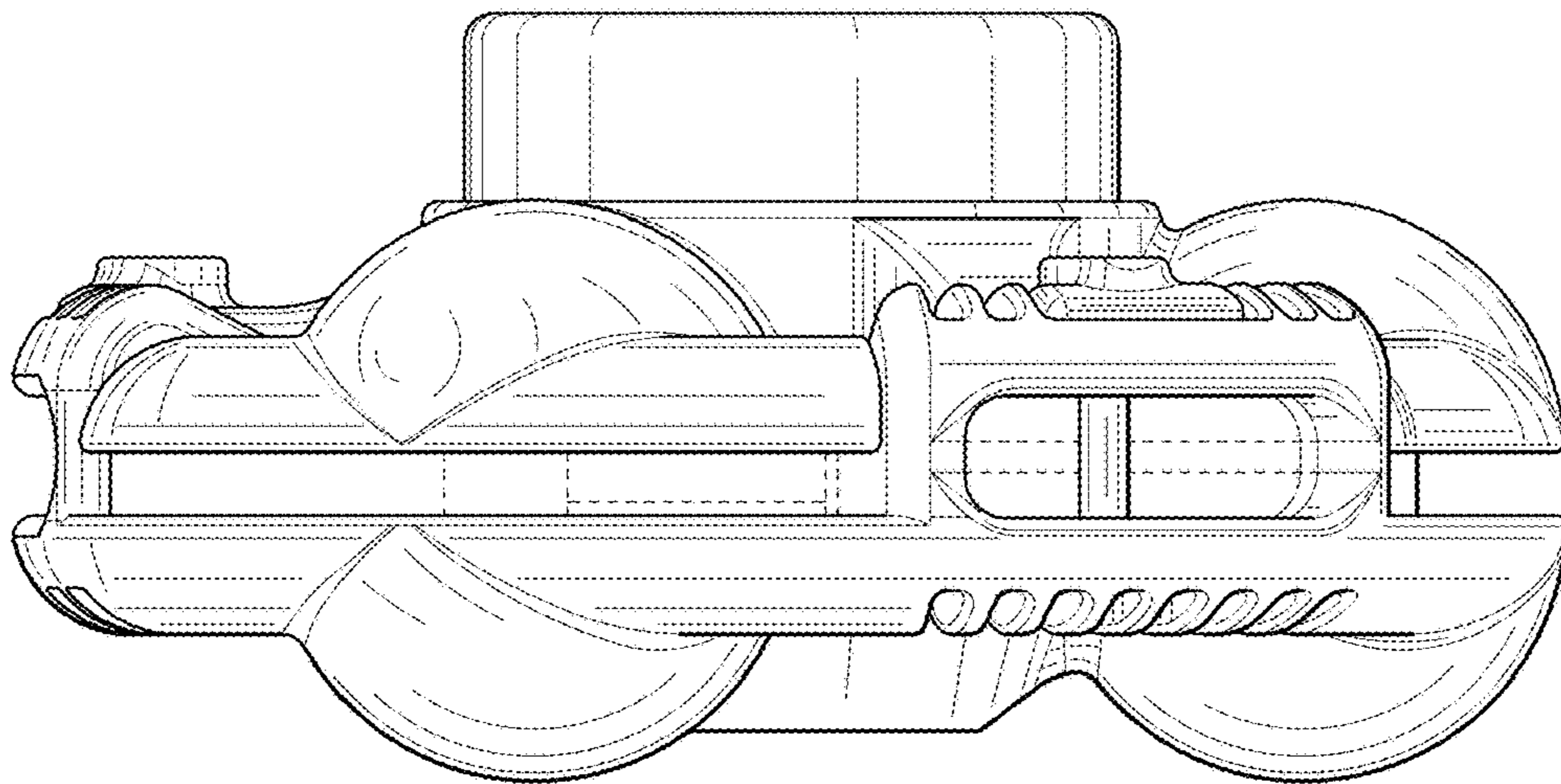


FIG. 5

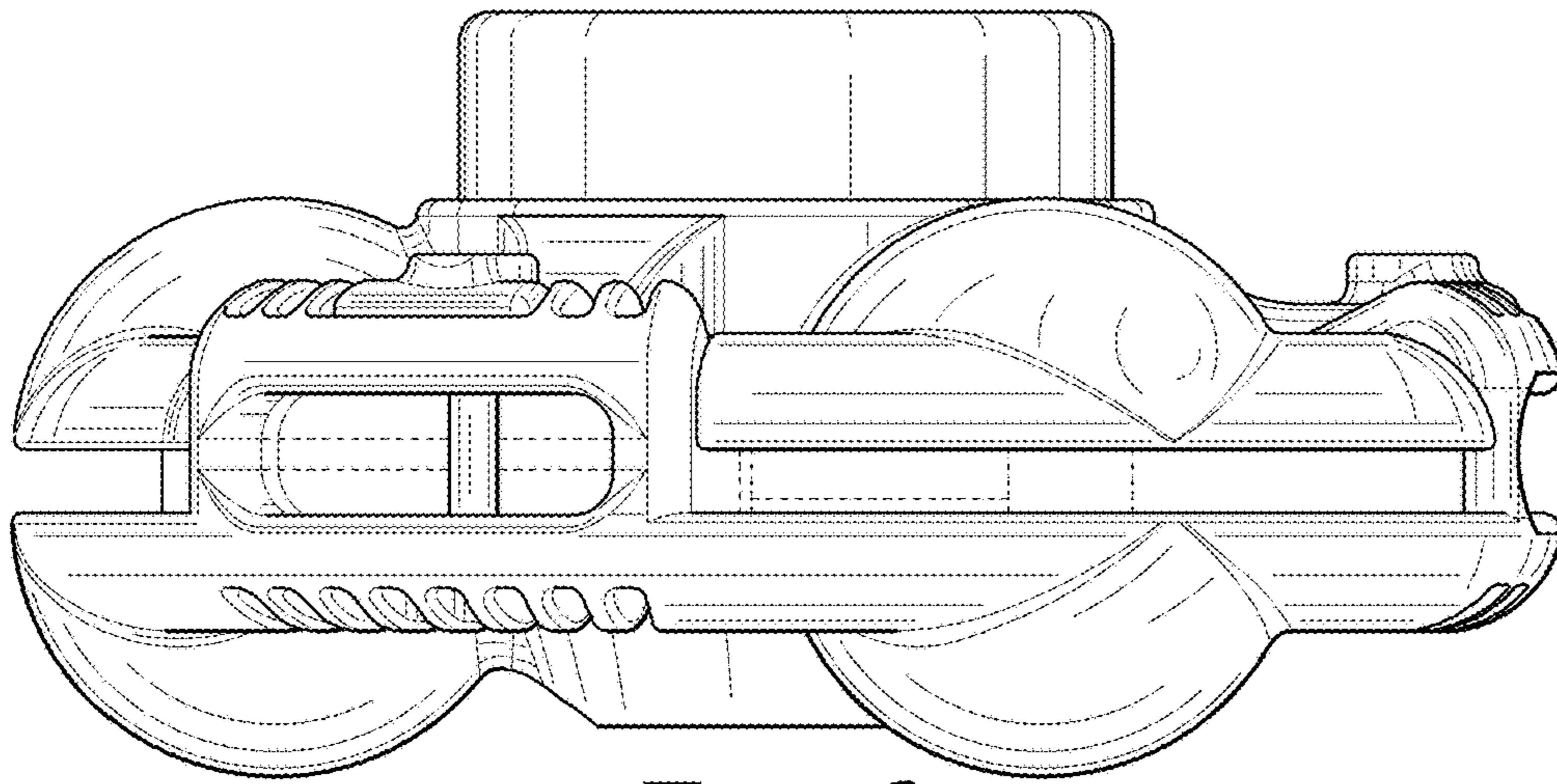


FIG. 6

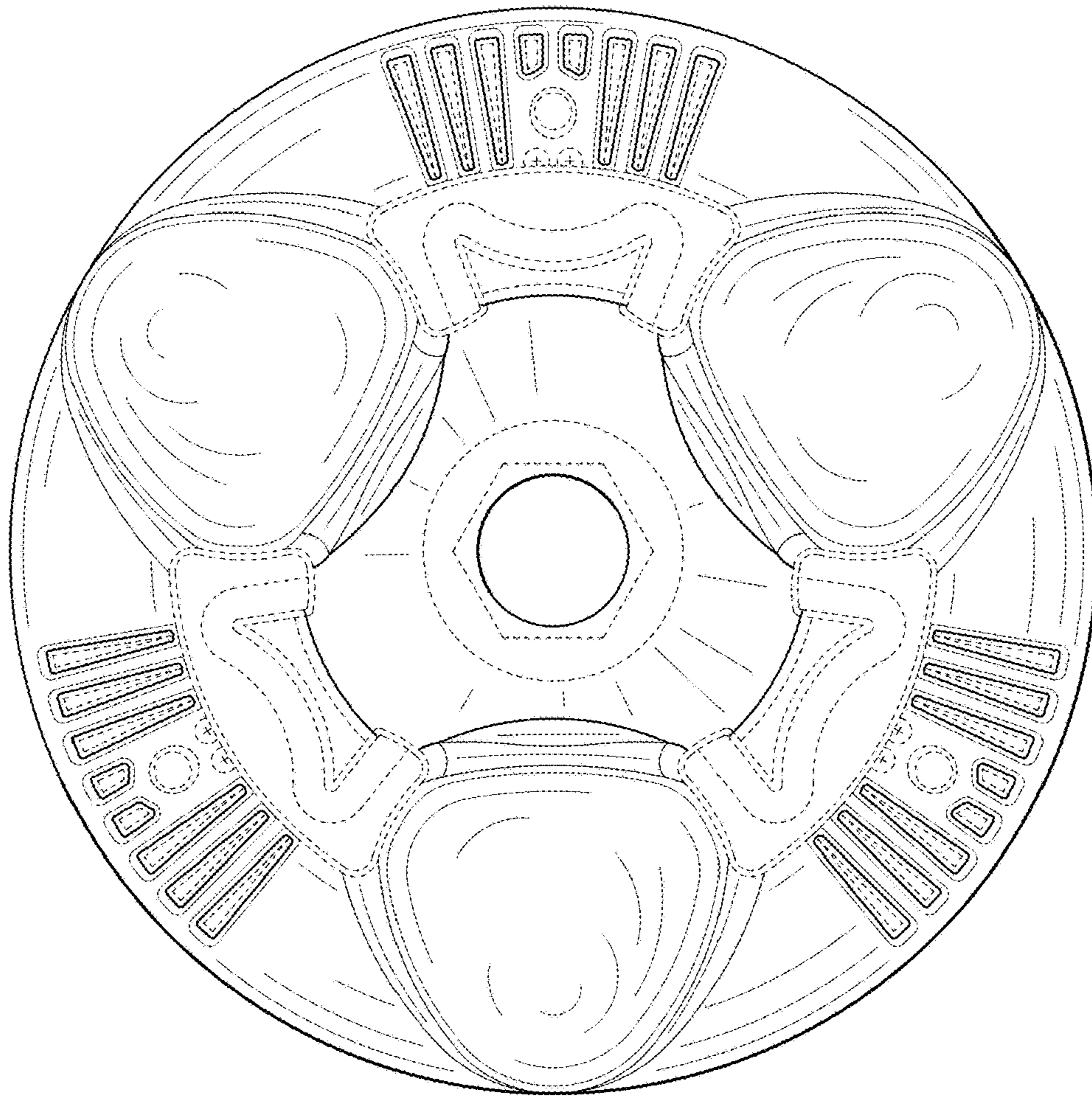


FIG. 7