



US00D836409S

(12) **United States Design Patent**  
**Silsby et al.**

(10) **Patent No.:** **US D836,409 S**

(45) **Date of Patent:** **\*\* Dec. 25, 2018**

(54) **FRUIT REAMER**

(71) Applicant: **Pacific Market International, LLC**,  
Seattle, WA (US)

(72) Inventors: **Jacob D. Silsby**, Seattle, WA (US);  
**Evan Michael Choltco-Devlin**,  
Ellensburg, WA (US)

(73) Assignee: **Pacific Market International, LLC**,  
Seattle, WA (US)

(\*\*) Term: **15 Years**

(21) Appl. No.: **29/567,656**

(22) Filed: **Jun. 10, 2016**

(51) **LOC (11) Cl.** ..... **31-00**

(52) **U.S. Cl.**  
USPC ..... **D7/665**

(58) **Field of Classification Search**  
USPC ..... D7/665, 667, 669  
CPC ..... A23N 1/00; A23N 1/003; A47G 19/30;  
A47J 19/02; A47J 19/06; A47J 19/022;  
A47J 43/14  
See application file for complete search history.

(56) **References Cited**

**U.S. PATENT DOCUMENTS**

1,341,496	A *	5/1920	Creasey	.....	A47J 19/022	100/213
1,702,737	A *	2/1929	MacDonald	.....	A47J 19/022	222/192
3,122,185	A *	2/1964	Roberts	.....	A47J 19/022	241/293
4,125,064	A *	11/1978	Ackeret	.....	A47J 19/022	99/505

D279,157	S *	6/1985	Gecchelin	.....	D7/665	
D484,754	S *	1/2004	Schuler	.....	D7/665	
D664,011	S *	7/2012	Affonso	.....	D7/665	
D756,173	S *	5/2016	Decaris	.....	D7/665	
D757,501	S *	5/2016	Cotter	.....	D7/665	
D761,628	S *	7/2016	Chitayat	.....	D15/90	
2010/0170406	A1 *	7/2010	Chuang	.....	A47J 19/022	100/126
2017/0245668	A1 *	8/2017	Upston	.....	A47J 19/02	

\* cited by examiner

*Primary Examiner* — Karen S Acker

*Assistant Examiner* — Steven B Reinholdt, Jr.

(74) *Attorney, Agent, or Firm* — George C. Rondeau, Jr.;  
Davis Wright Tremaine LLP

(57) **CLAIM**

The ornamental design for a fruit reamer, as shown and described.

**DESCRIPTION**

FIG. 1 is a top perspective view of a fruit reamer showing our new design.

FIG. 2 is a bottom perspective view thereof.

FIG. 3 is a right side elevational view thereof.

FIG. 4 is a front elevational view thereof.

FIG. 5 is a left side elevational view thereof.

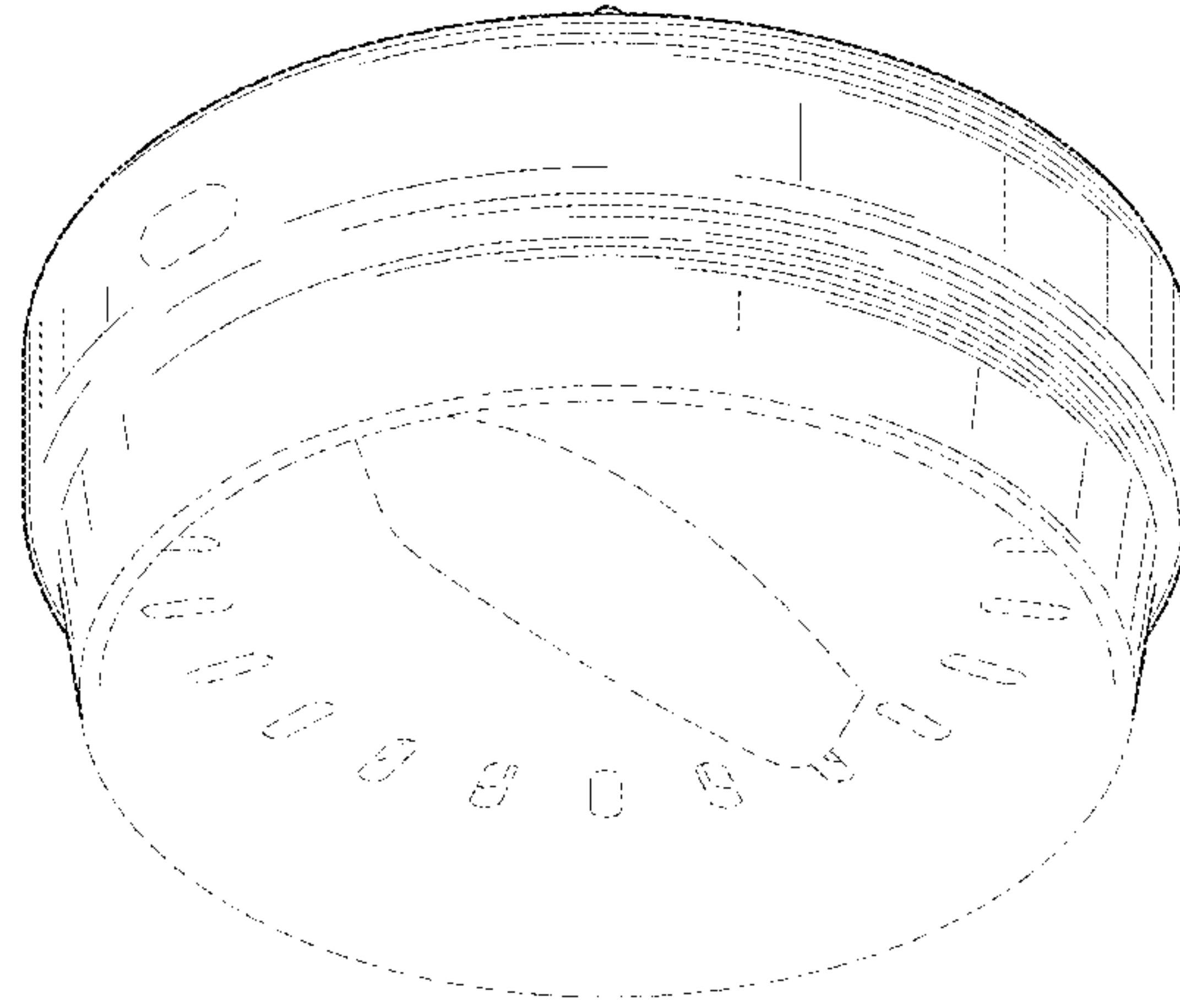
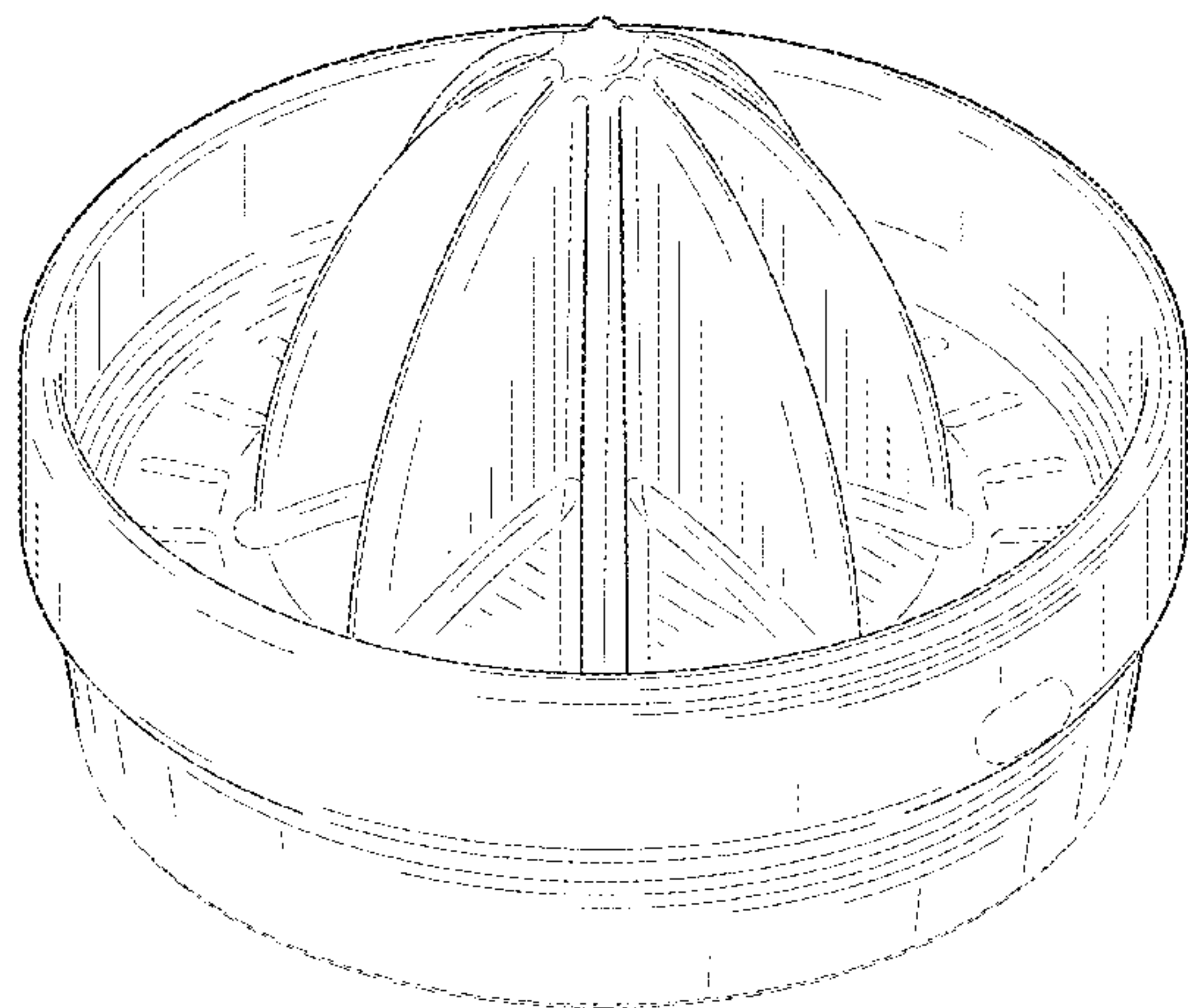
FIG. 6 is a rear elevational view thereof.

FIG. 7 is a top plan view thereof; and,

FIG. 8 is a bottom plan view thereof.

The broken lines illustrate portions of the fruit reamer that form no part of the claimed design.

**1 Claim, 8 Drawing Sheets**



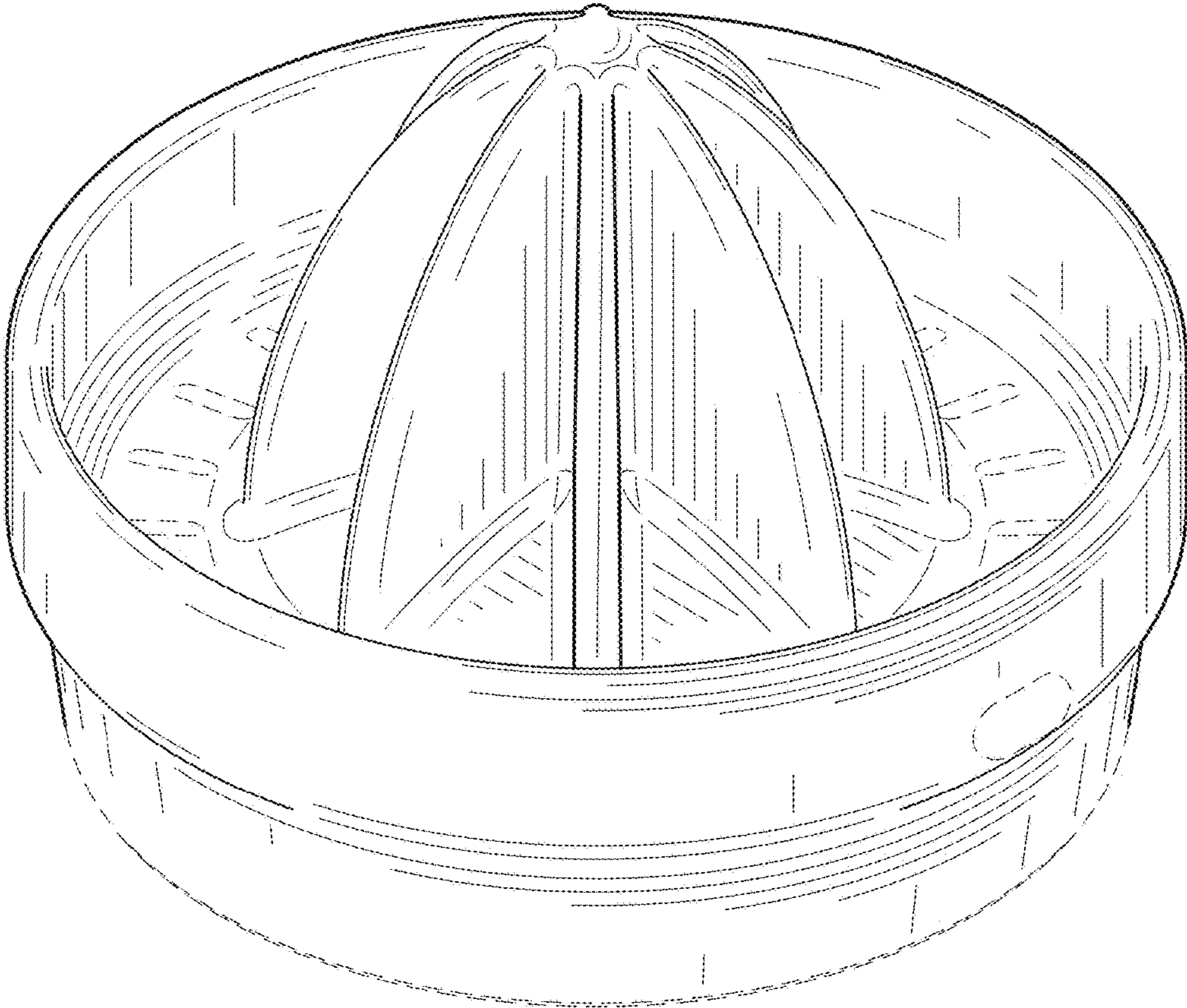


FIG. 1

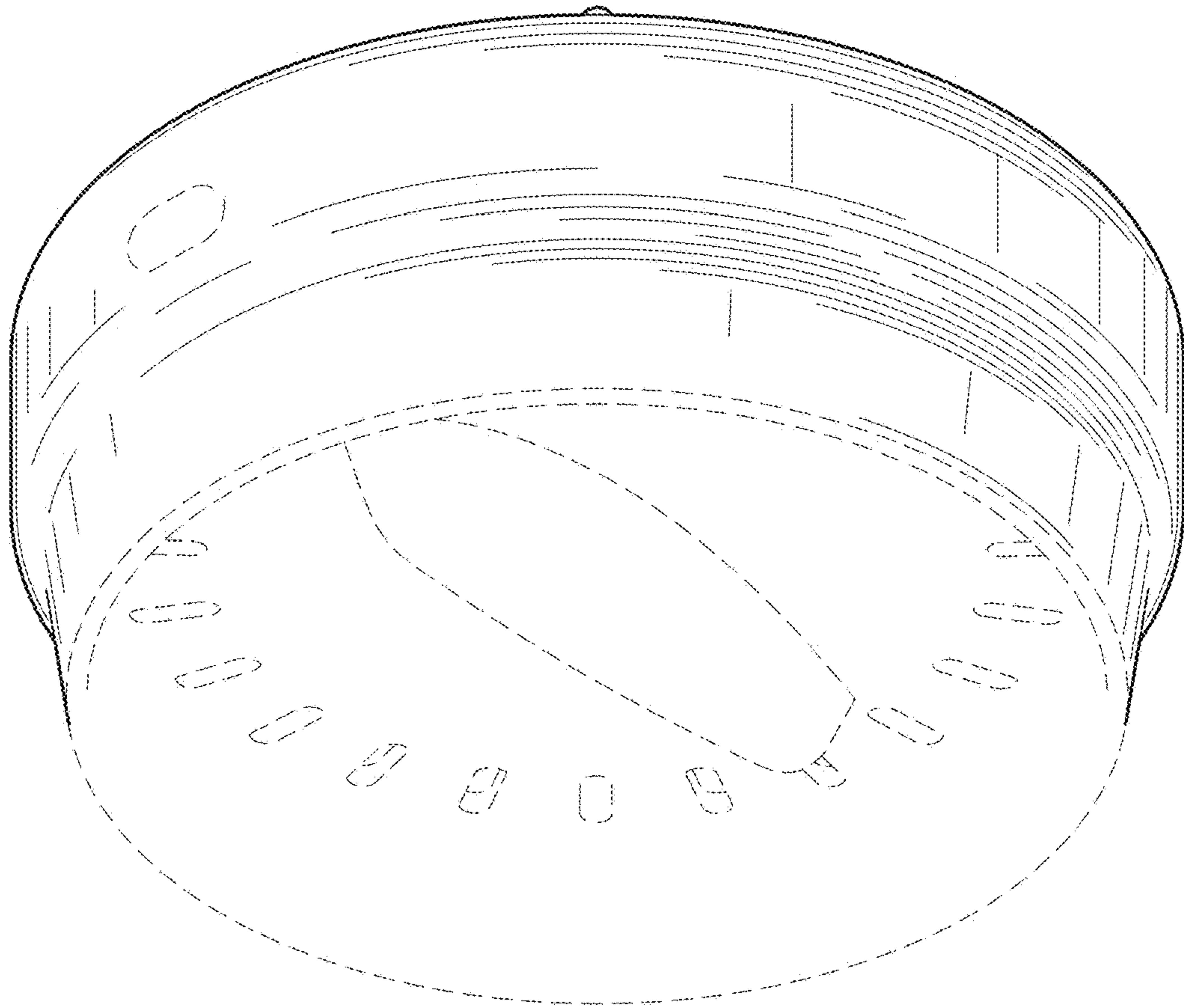


FIG. 2

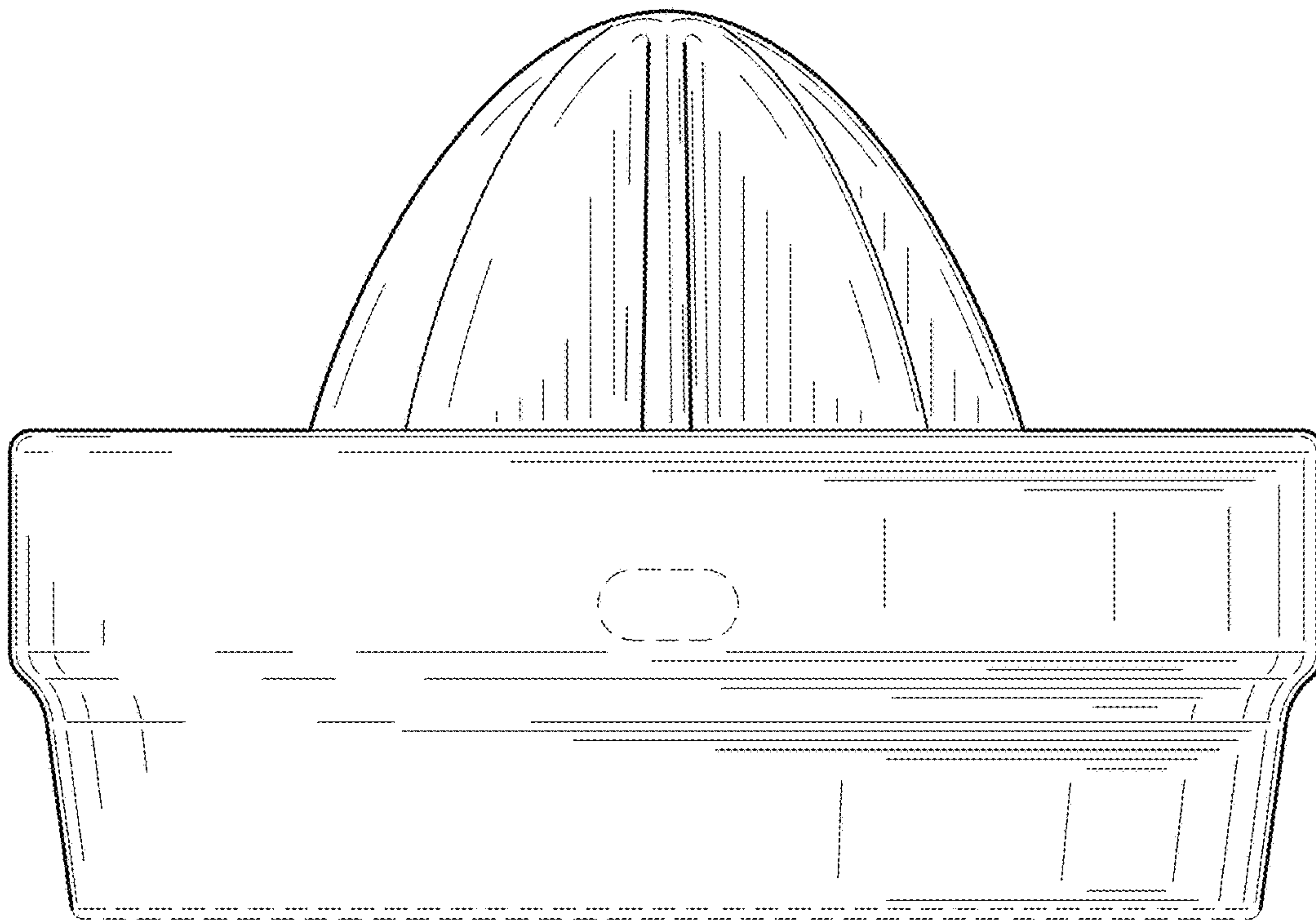


FIG. 3



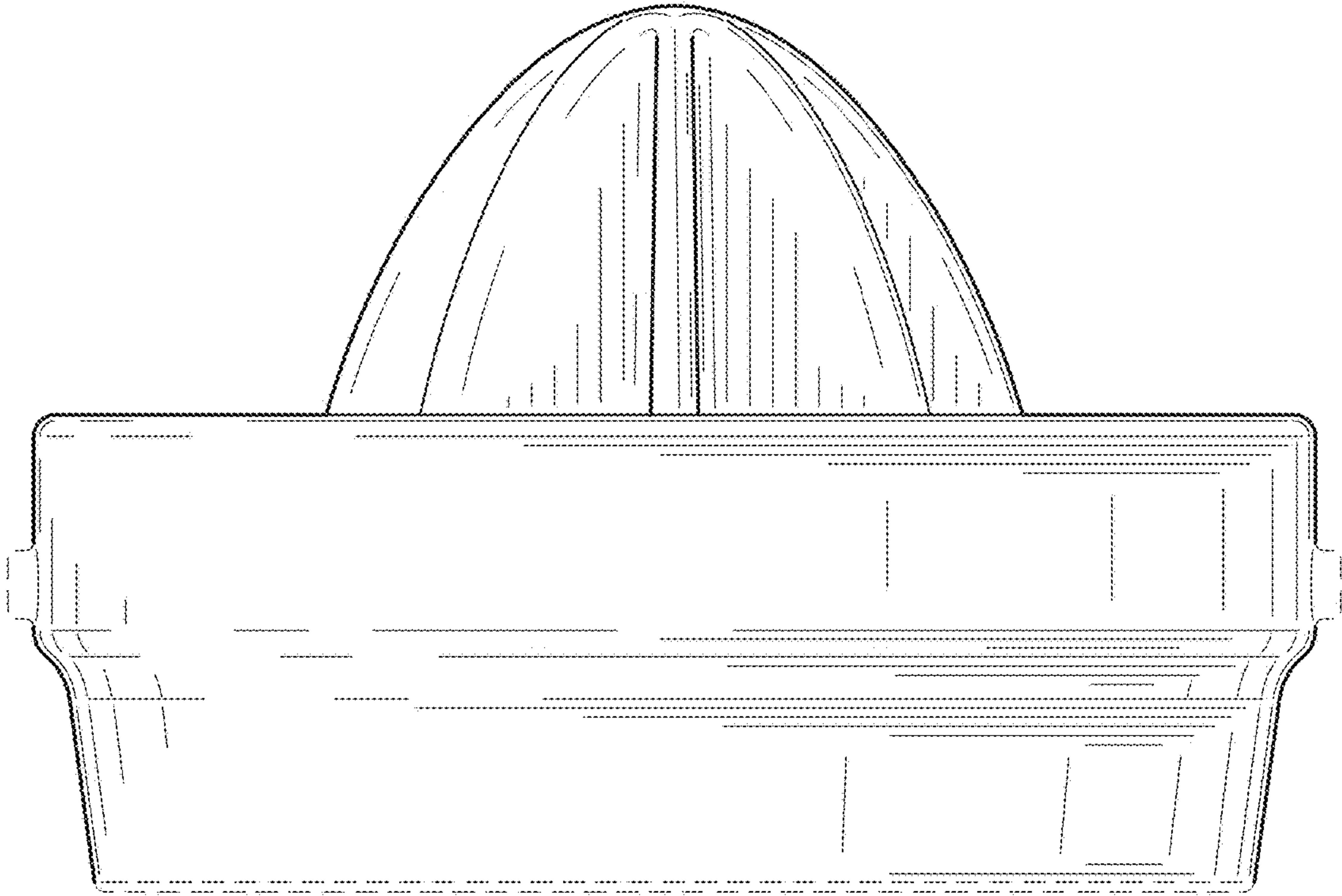


FIG. 4

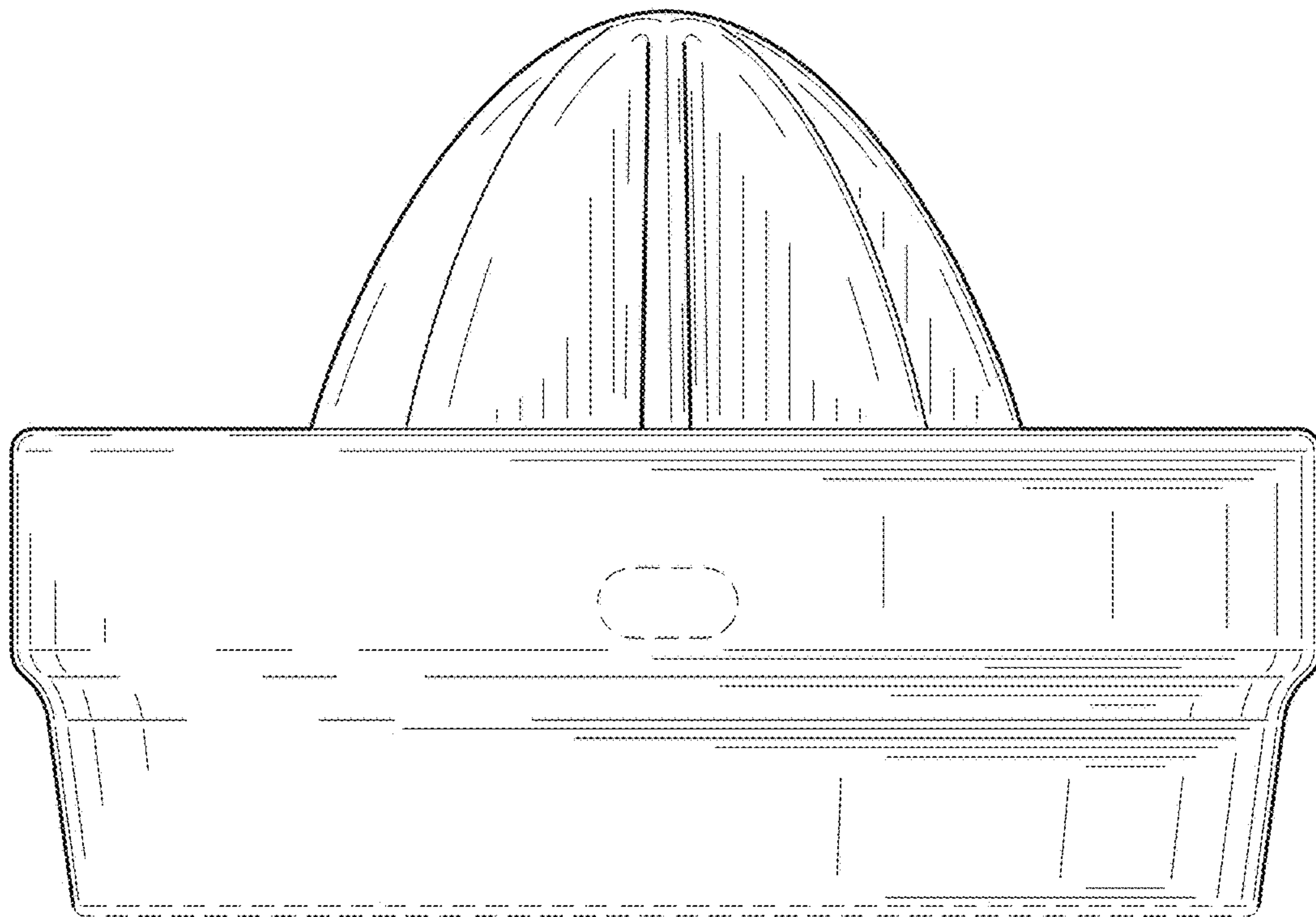


FIG. 5

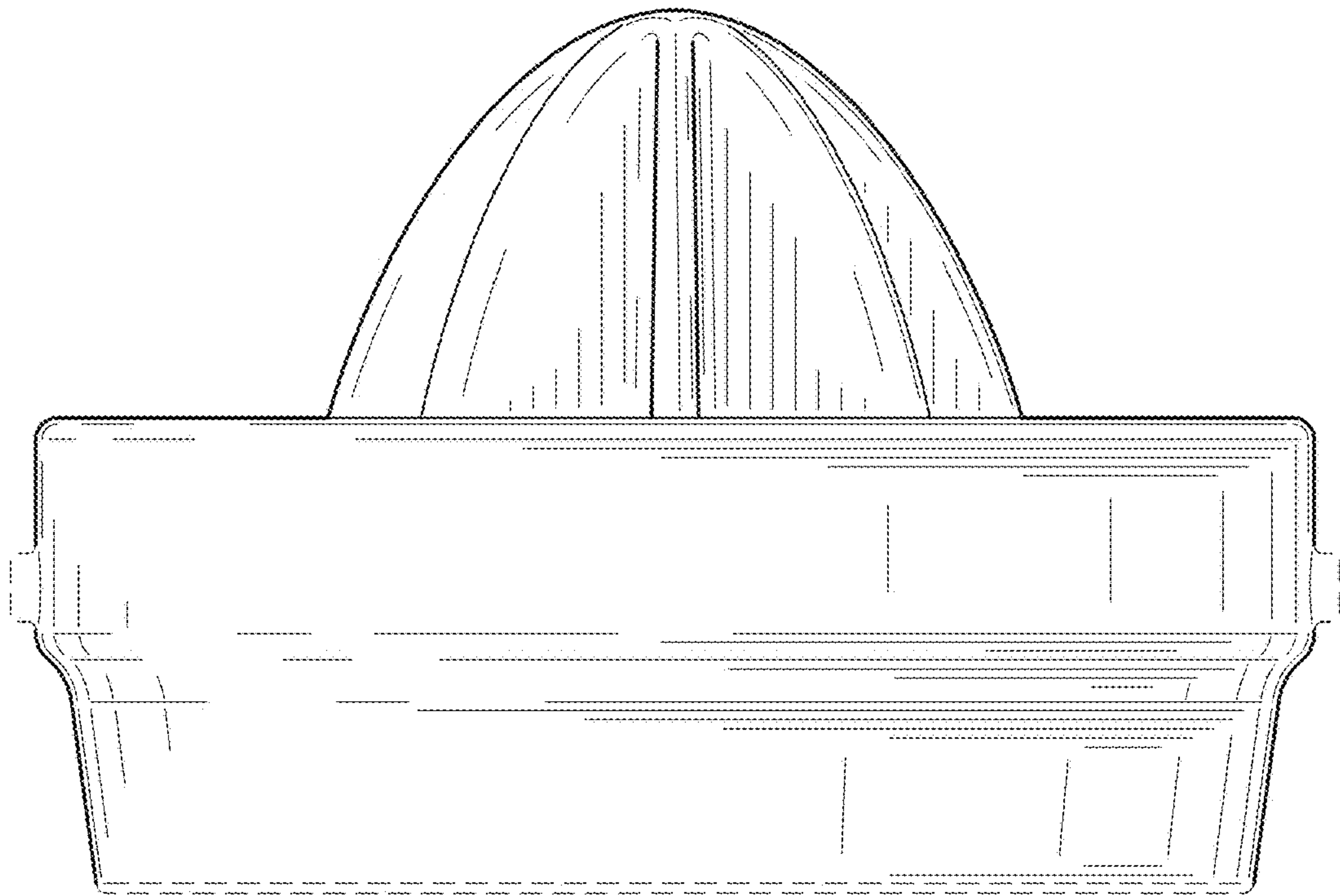


FIG. 6



FIG. 7



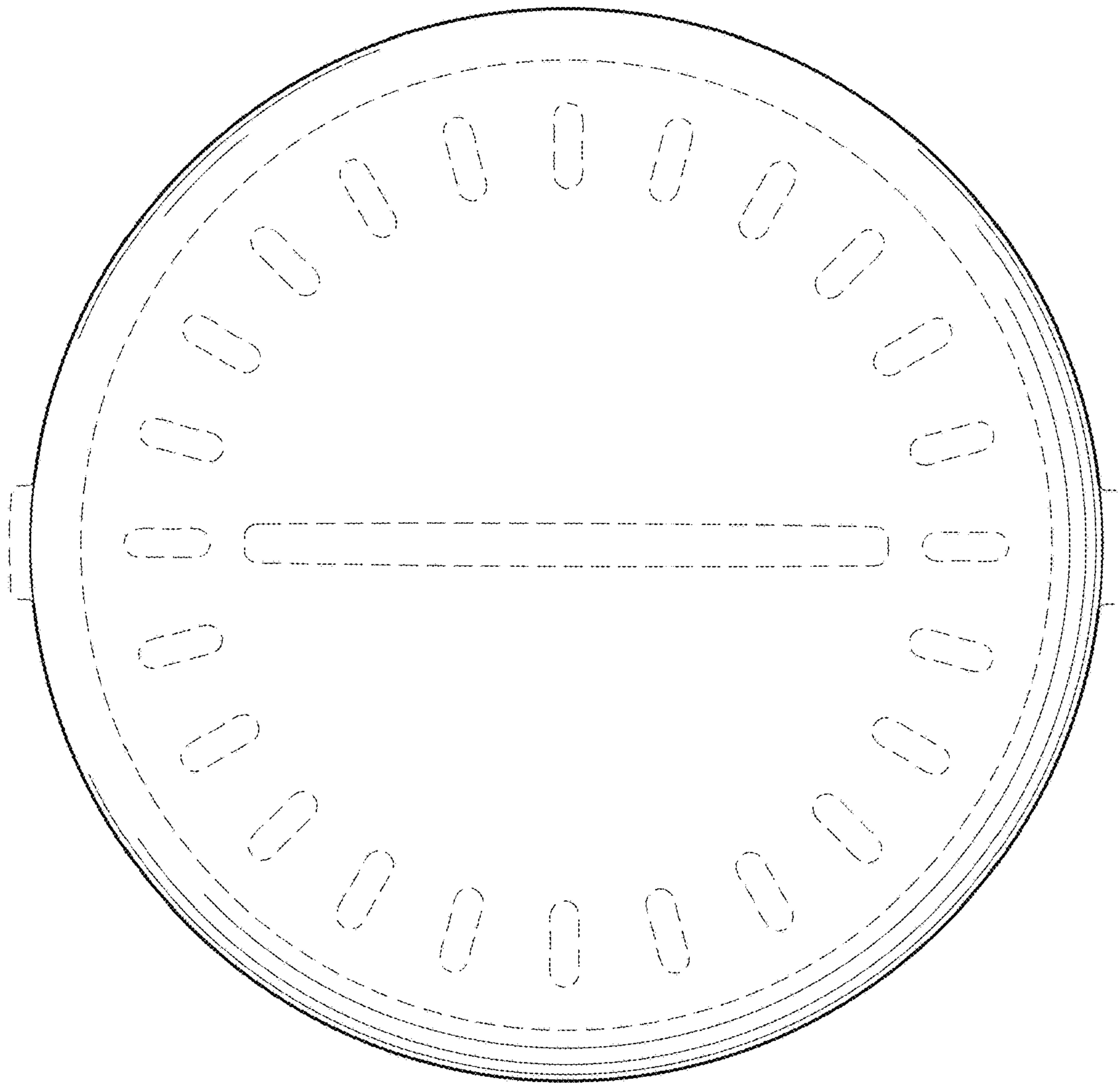


FIG. 8