



US00D836408S

(12) **United States Design Patent** (10) **Patent No.:** **US D836,408 S**
Pereira Da Silva (45) **Date of Patent:** **** Dec. 25, 2018**

(54) **FOOD CONTAINER**

(71) Applicant: **Marco Antonio Pereira Da Silva,**
Aventura, FL (US)

(72) Inventor: **Marco Antonio Pereira Da Silva,**
Aventura, FL (US)

(**) Term: **15 Years**

(21) Appl. No.: **29/592,469**

(22) Filed: **Jan. 31, 2017**

(51) **LOC (11) Cl.** **09-07**

(52) **U.S. Cl.**
USPC **D7/629**

(58) **Field of Classification Search**
USPC D7/629, 630, 601, 602, 538-542, 612,
D7/608, 300, 312, 316, 323, 353, 900,
(Continued)

(56) **References Cited**

U.S. PATENT DOCUMENTS

D159,811 S * 8/1950 Hill D7/629
2,767,755 A * 10/1956 Hill B65D 1/26
206/518

(Continued)

Primary Examiner — Shannon W Morgan

(74) *Attorney, Agent, or Firm* — Schmeiser, Olsen &
Watts, LLP

(57) **CLAIM**

The ornamental design for a food container, as shown and described.

DESCRIPTION

FIG. 1 is a perspective view of a first embodiment of the food container;

FIG. 2 is a front view of a first embodiment of the food container;

FIG. 3 is a back view of the first embodiment of the food container;

FIG. 4 is a left side view of the first embodiment of the food container;

FIG. 5 is a right side view of the first embodiment of the food container;

FIG. 6 is a top view of the first embodiment of the food container;

FIG. 7 is a bottom view of the first embodiment of the food container;

FIG. 8 is a perspective view of a second embodiment of the food container;

FIG. 9 is a front view of the second embodiment of the food container;

FIG. 10 is a back view of the second embodiment of the food container;

FIG. 11 is a left side view of the second embodiment of the food container;

FIG. 12 is a right side view of the second embodiment of the food container;

FIG. 13 is a top view of the second embodiment of the food container;

FIG. 14 is a bottom view of the second embodiment of the food container;

FIG. 15 is a perspective view of a third embodiment of the food container;

FIG. 16 is a front view of the third embodiment of the food container;

FIG. 17 is a back view of the third embodiment of the food container;

FIG. 18 is a left side view of the third embodiment of the food container;

FIG. 19 is a right side view of the third embodiment of the food container;

FIG. 20 is a top view of the third embodiment of the food container;

FIG. 21 is a bottom view of the third embodiment of the food container;

FIG. 22 is a perspective view of a fourth embodiment of the food container;

FIG. 23 is a front view of the fourth embodiment of the food container;

(Continued)

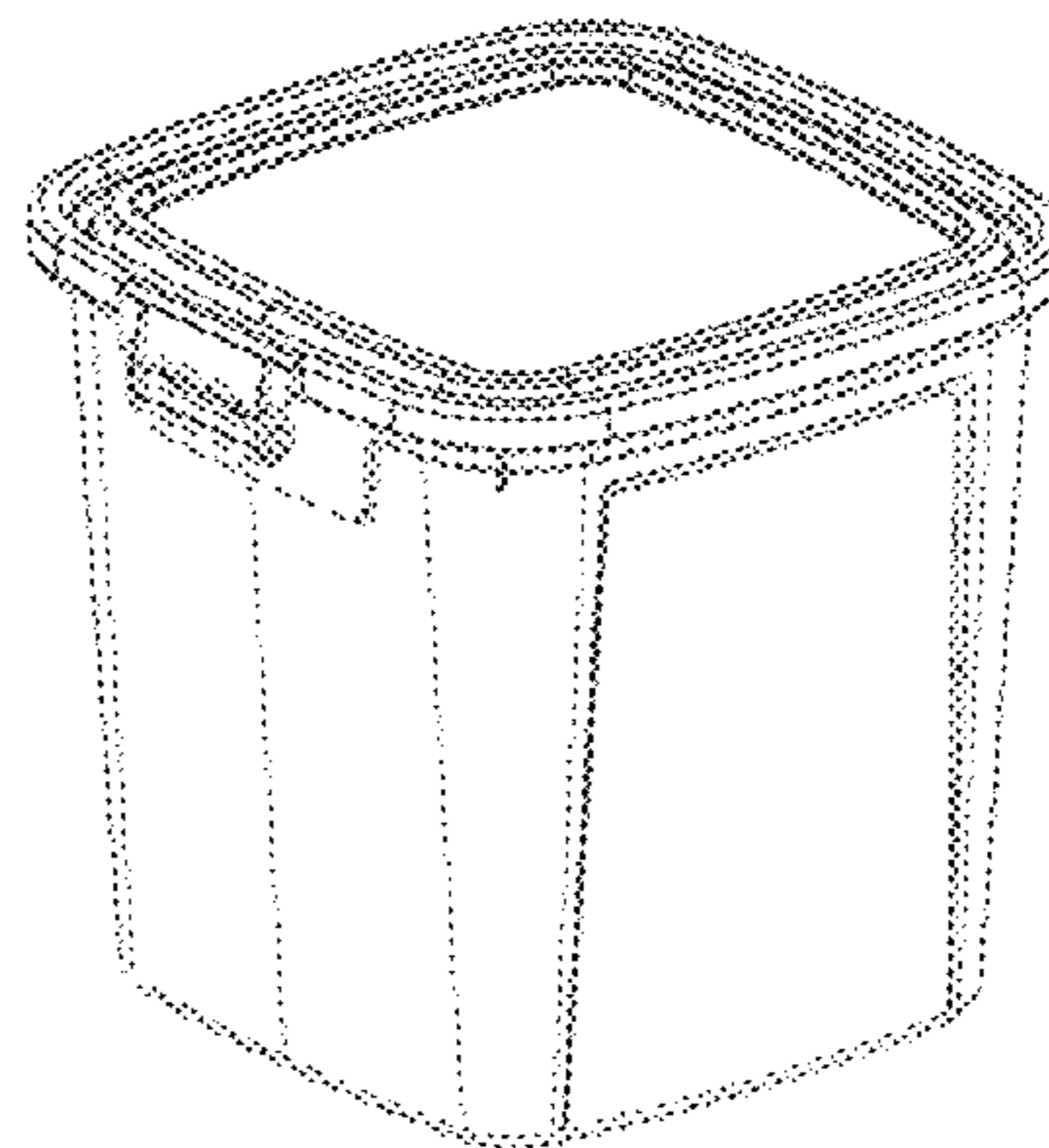
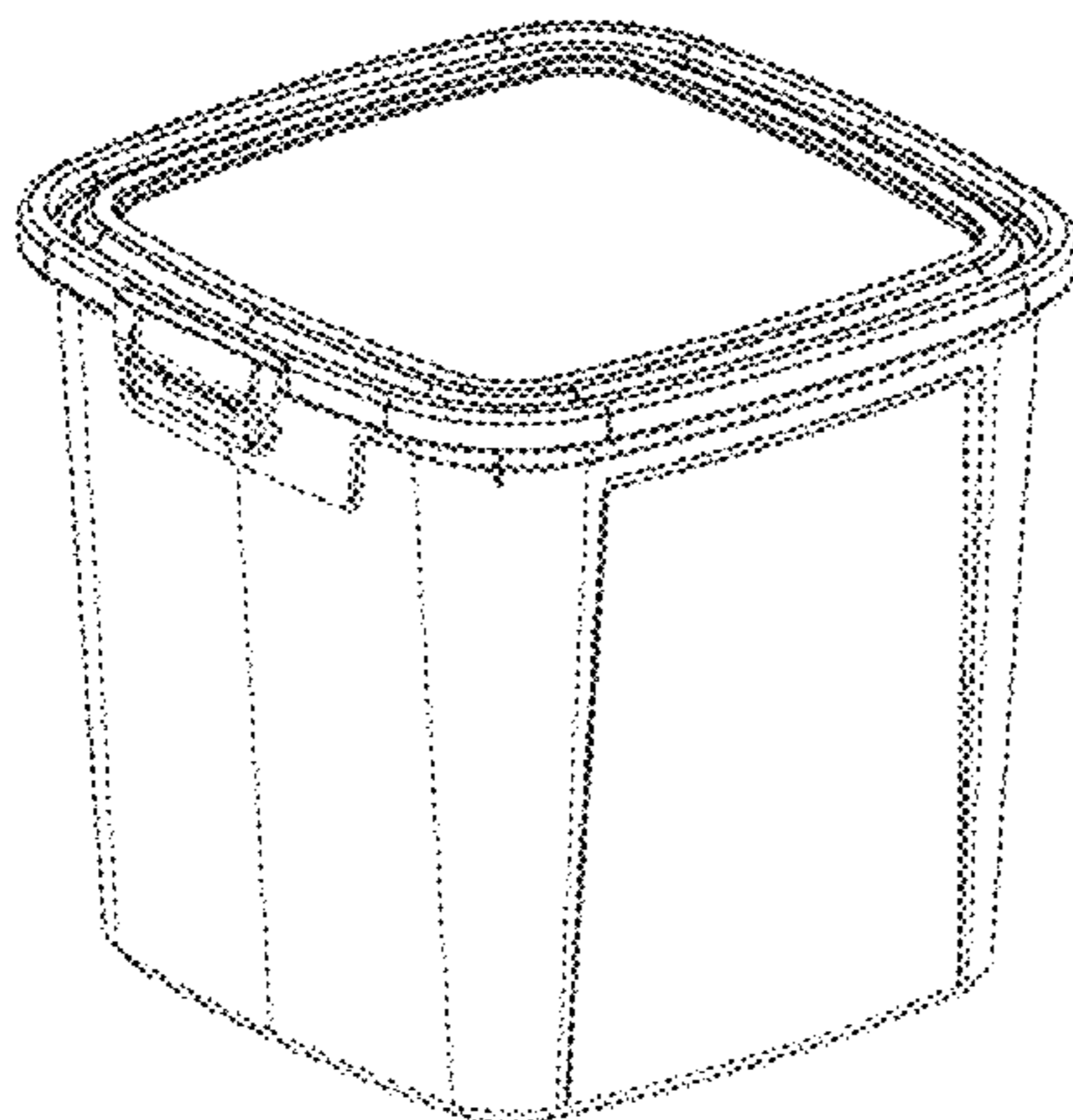


FIG. 24 is a back view of the fourth embodiment of the food container;
 FIG. 25 is a left side view of the fourth embodiment of the food container;
 FIG. 26 is a right side view of the fourth embodiment of the food container;
 FIG. 27 is a top view of the fourth embodiment of the food container;
 FIG. 28 is a bottom view of the fourth embodiment of the food container;
 FIG. 29 is a perspective view of a fifth embodiment of the food container;
 FIG. 30 is a front view of the fifth embodiment of the food container;
 FIG. 31 is a back view of the fifth embodiment of the food container;
 FIG. 32 is a left side view of the fifth embodiment of the food container;
 FIG. 33 is a right side view of the fifth embodiment of the food container;
 FIG. 34 is a top view of the fifth embodiment of the food container; and,
 FIG. 35 is a bottom view of the fifth embodiment of the food container.
 The broken dash-dot-dash lines and areas within in FIGS. 7, 14, 21, 28, and 35 depict portions of the food container that form no part of the claimed design.
 The remaining broken dash-dash lines and areas within in FIGS. 7, 14, 21, 28, and 35 depict portions of the food container that form no part of the claimed design.

1 Claim, 35 Drawing Sheets

(58) **Field of Classification Search**
 USPC D7/387, 368, 388, 397, 402, 403, 412, D7/500, 550.1, 552.1, 552.2, 553.1, D7/553.2, 553.3, 554.4, 555; D9/424-433, 445, 500, 501, 503, 504, D9/516, 549, 575, 415-419, 737, 761, D9/760, 759, 756, 479, 478, 420, 421
 CPC B65D 85/50; B65D 85/505; B65D 85/52; B65D 43/02; B65D 1/26; B65D 43/0206; B65D 43/0214; B65D 81/18; B65D 53/00; B65D 43/163; B65D 21/0219;

B65D 25/04; B65D 21/0233; B65D 25/18; A47J 47/01; A47J 42/14; A47J 42/34; A47J 42/50; A47J 47/02; A47J 47/08; A47J 47/10

See application file for complete search history.

(56)

References Cited

U.S. PATENT DOCUMENTS

D212,594	S	*	11/1968	Collie	D9/425
D241,599	S	*	9/1976	Croyle et al.	D7/629
D242,974	S	*	1/1977	Hazzard	D34/7
D248,215	S	*	6/1978	Cherry	D9/418
D330,996	S	*	11/1992	Smith	D7/629
D334,114	S	*	3/1993	Narsutis	D7/629
D351,090	S	*	10/1994	Narsutis	D7/629
D351,765	S	*	10/1994	Beeler	D7/538
D355,814	S	*	2/1995	VanValkenburg	D7/538
D403,924	S	*	1/1999	Carlson	D7/602
D418,056	S	*	12/1999	Johnson	D9/431
D431,464	S	*	10/2000	Collins	D9/424
D518,958	S	*	4/2006	Yourist	D3/302
D562,083	S	*	2/2008	Lown	D7/629
D578,830	S	*	10/2008	Freeman	D7/586
D587,566	S	*	3/2009	Albrecht	D9/424
D614,949	S	*	5/2010	Schmidt	D9/424
D618,516	S	*	6/2010	DiPietro	D7/629
D627,218	S	*	11/2010	Golota	D9/424
D630,091	S	*	1/2011	Schick	D9/430
D630,899	S	*	1/2011	Samartgis	D7/602
D630,900	S	*	1/2011	Samartgis	D7/602
D630,901	S	*	1/2011	Samartgis	D7/602
D649,409	S	*	11/2011	Segal	D7/629
D649,410	S	*	11/2011	Segal	D7/629
D656,369	S	*	3/2012	Everson	B65D 43/162 D7/629
D697,762	S	*	1/2014	Carlson	D7/602
D697,763	S	*	1/2014	Carlson	D7/602
2004/0222227	A1	*	11/2004	Steg	B65D 43/0214 220/359.2
2006/0124654	A1	*	6/2006	Cai	B65D 43/0249 220/780
2007/0235452	A1	*	10/2007	Killinger	B42F 17/08 220/326
2008/0142513	A1	*	6/2008	Geisler	B65D 43/02 220/3.9
2010/0276422	A1	*	11/2010	Vovan	B65D 43/021 220/260
2012/0037652	A1	*	2/2012	Turvey	B65D 43/0218 220/780

* cited by examiner

FIG. 1

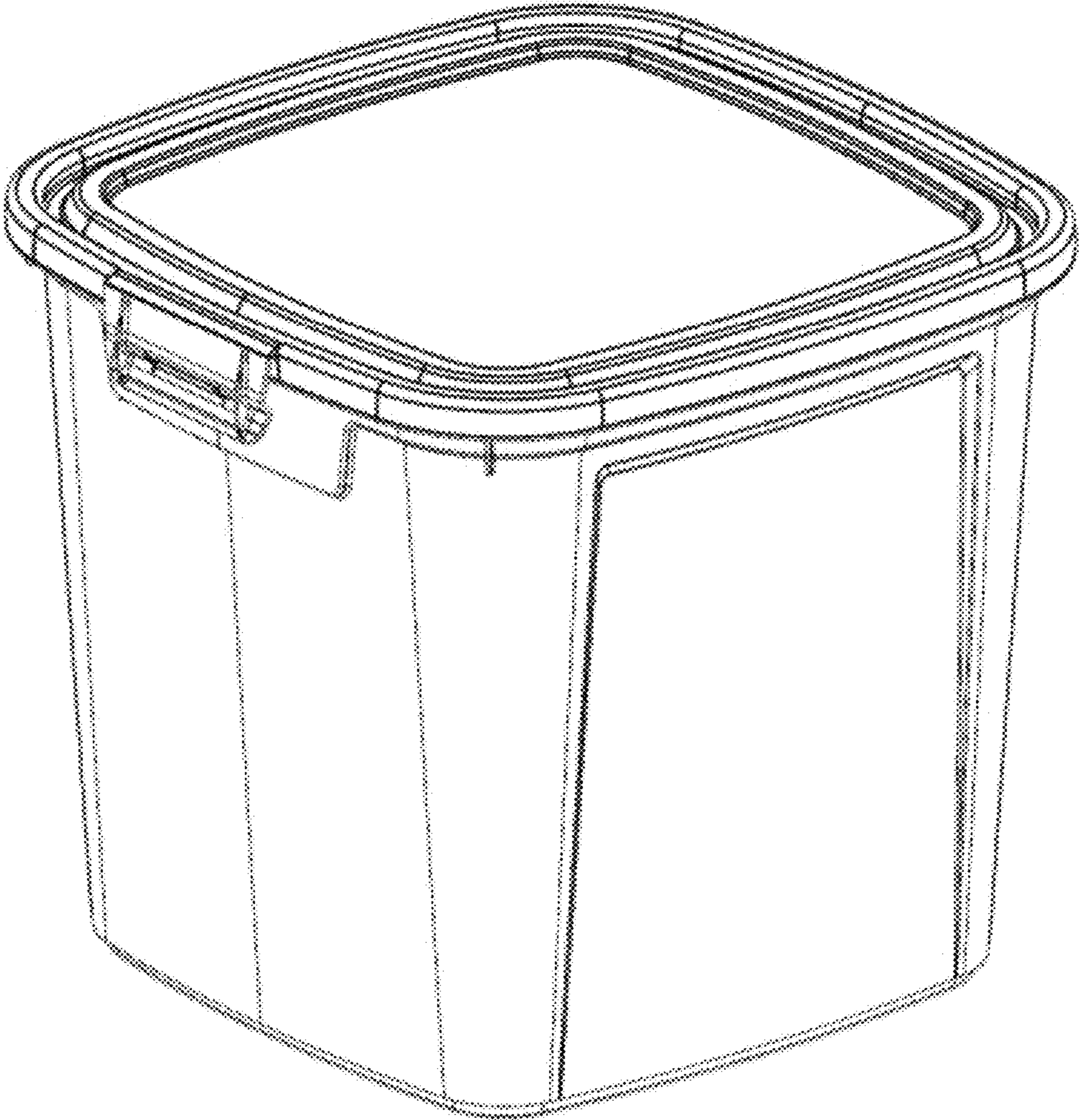


FIG. 2

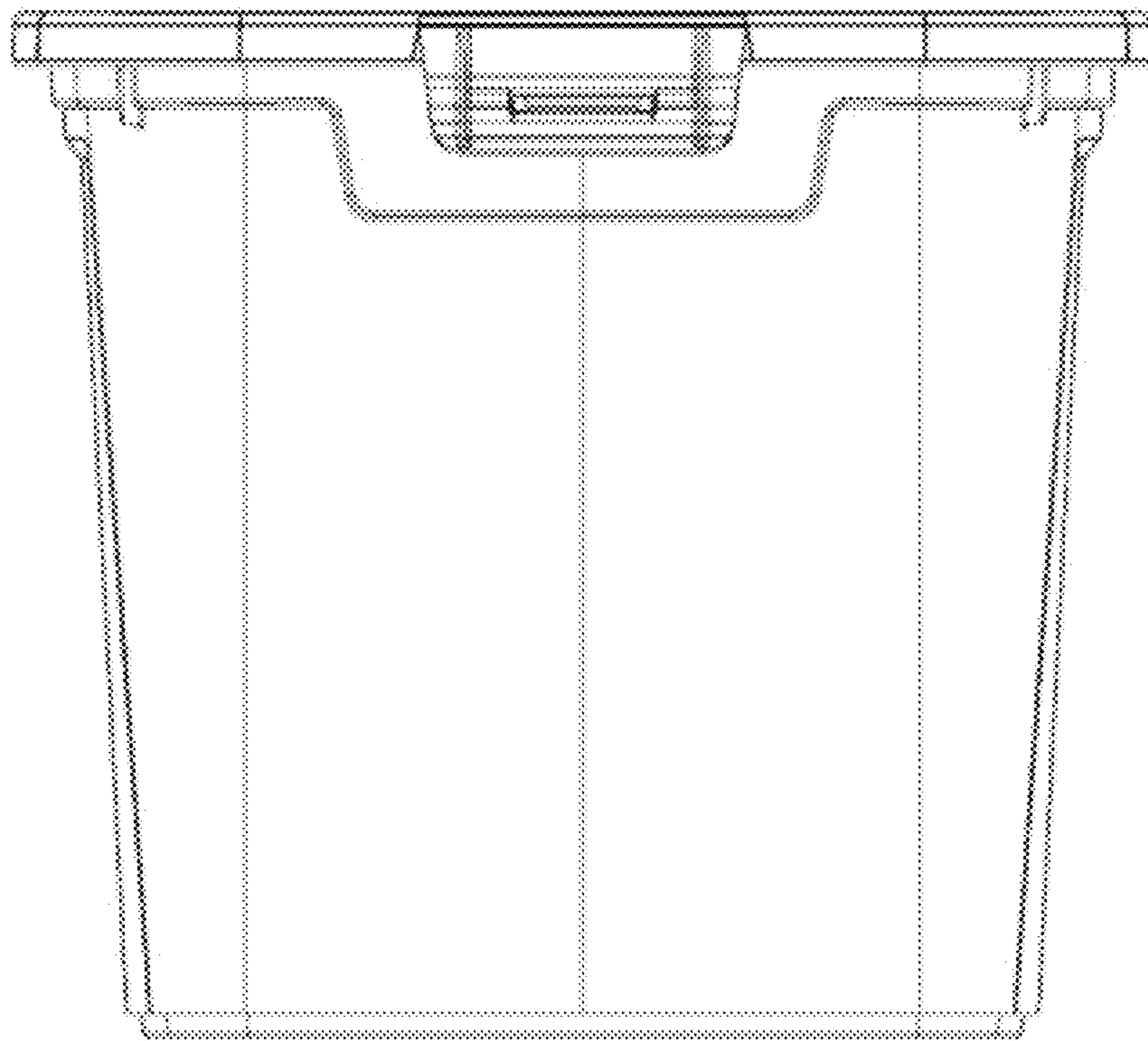


FIG. 3

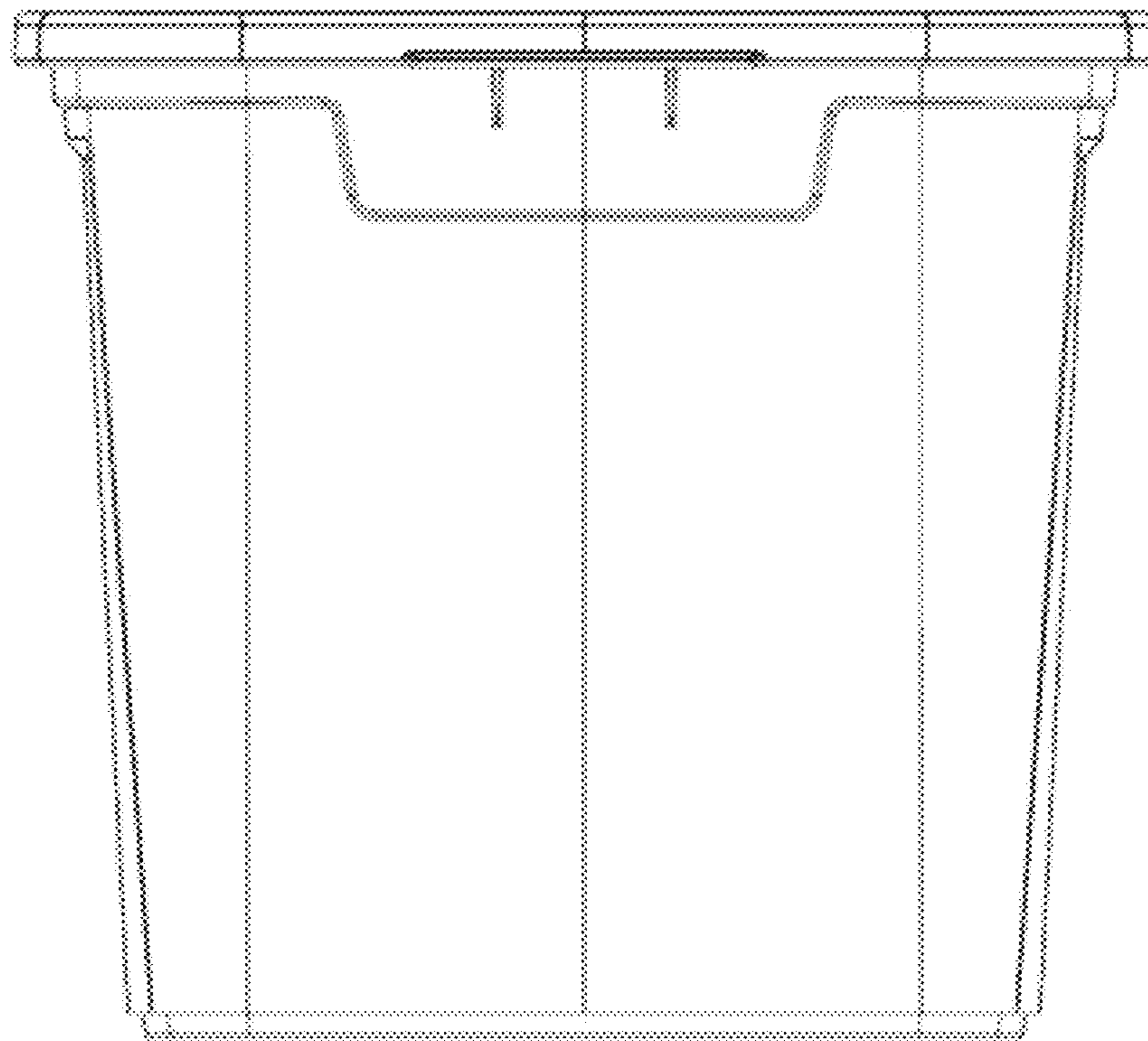


FIG. 4

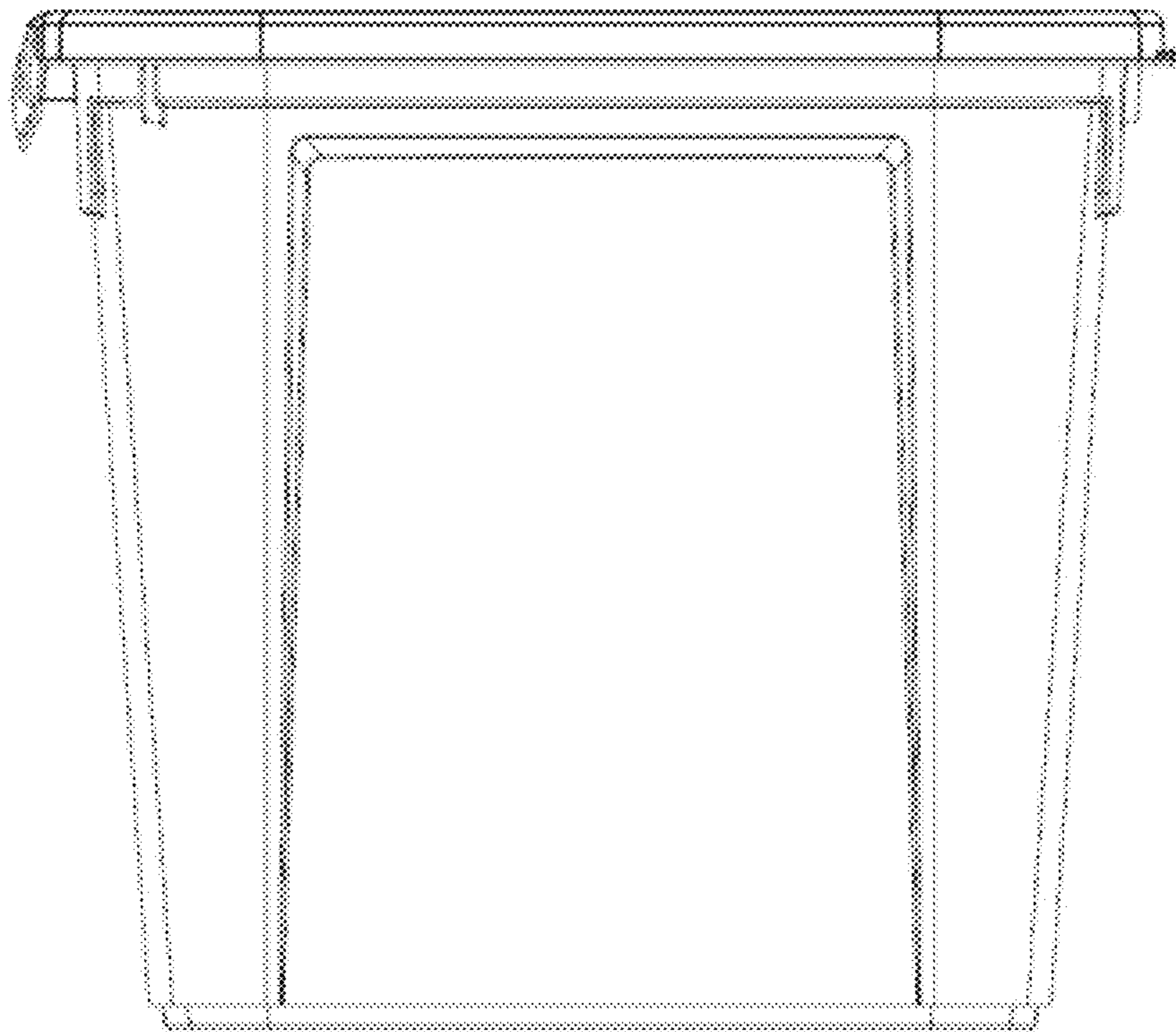


FIG. 5

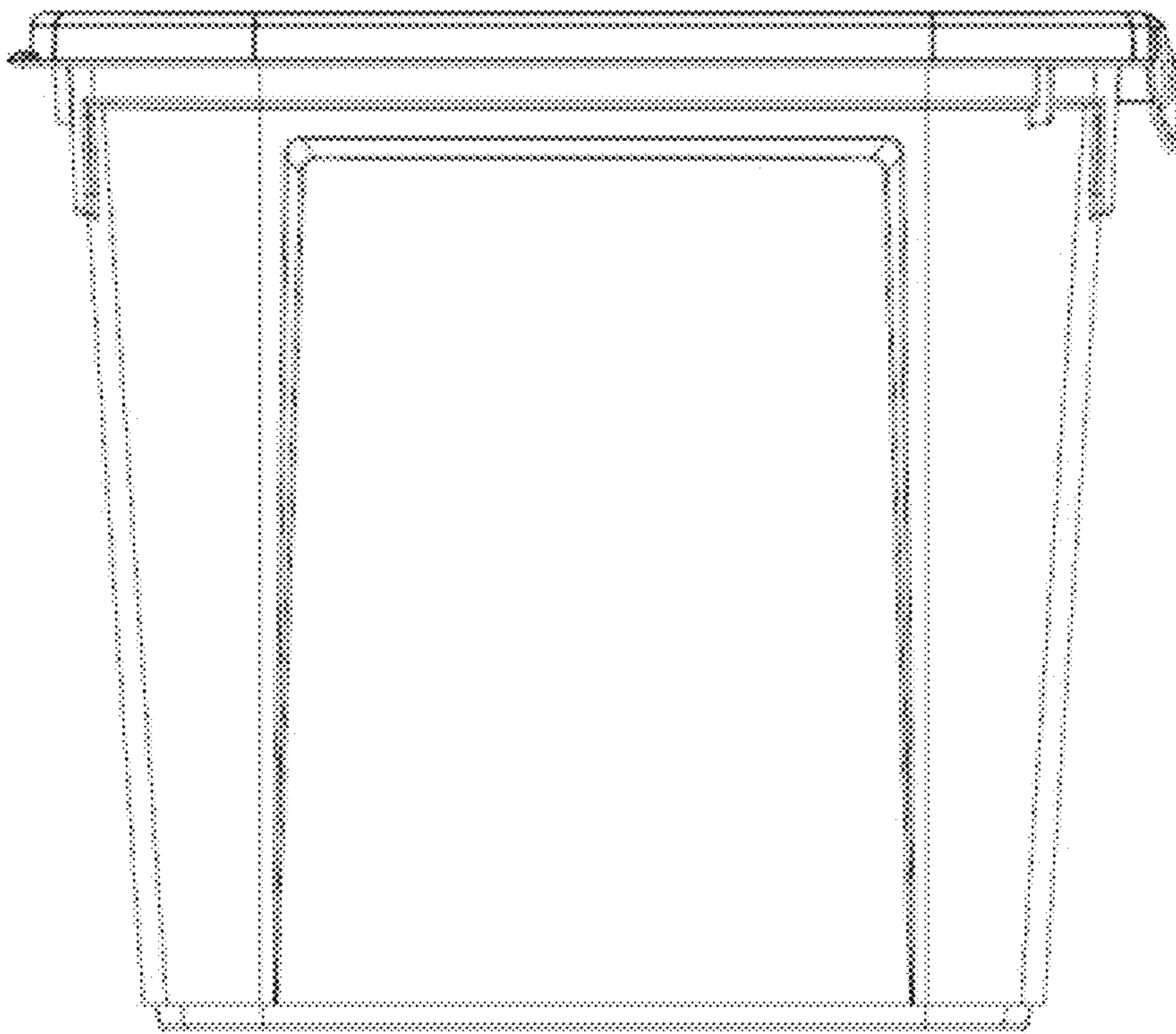


FIG. 6

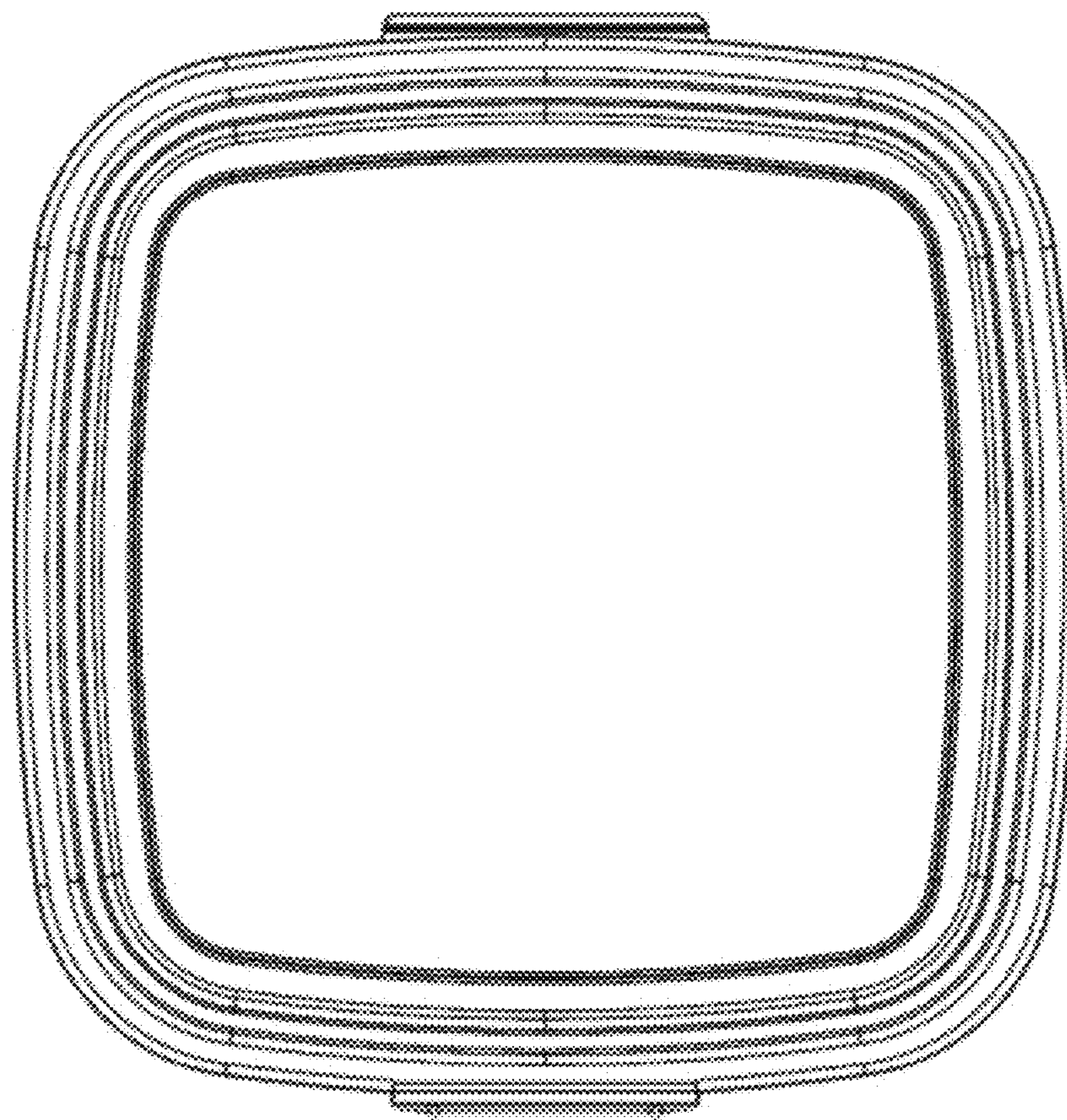


FIG. 7

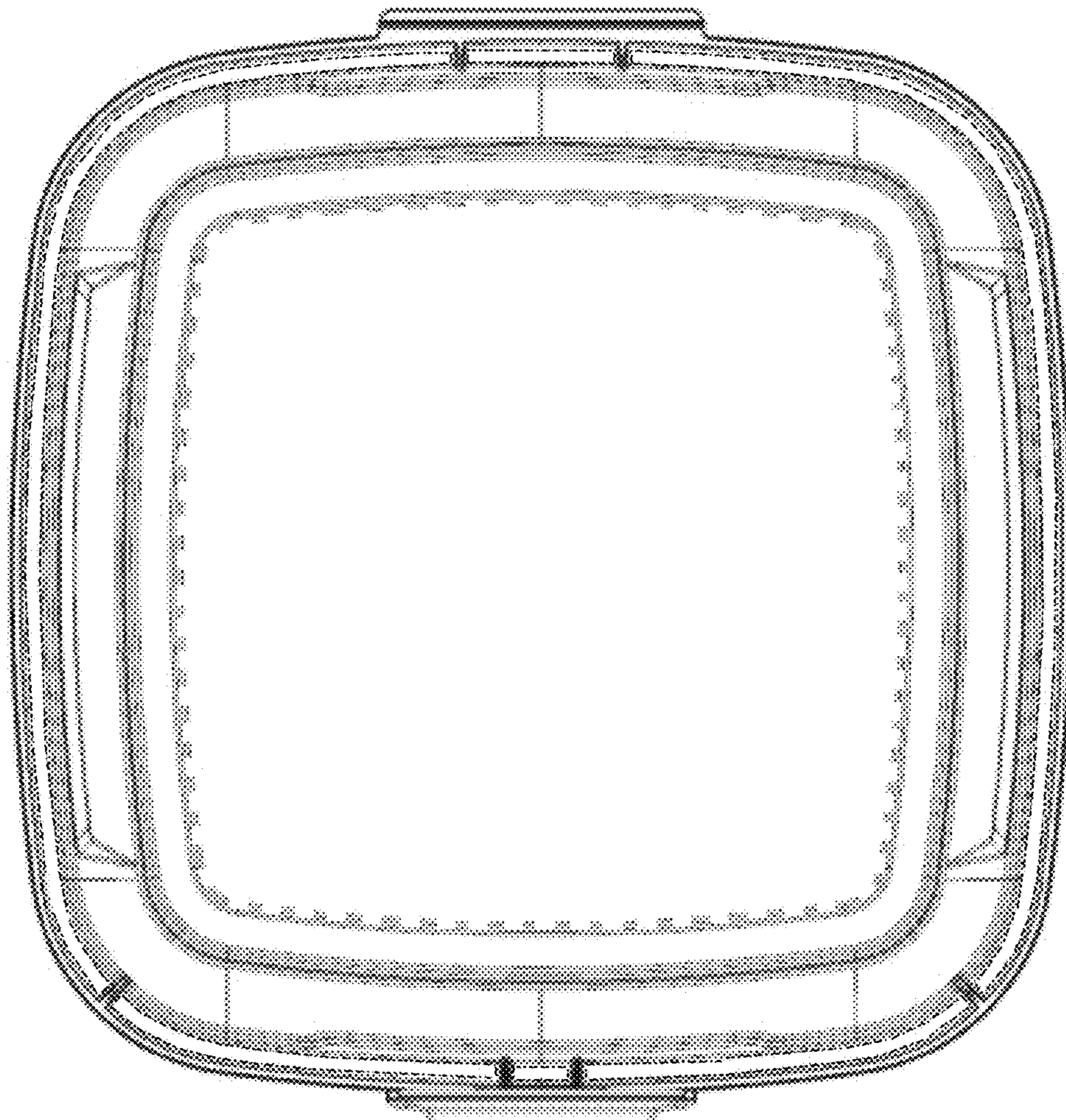


FIG. 8

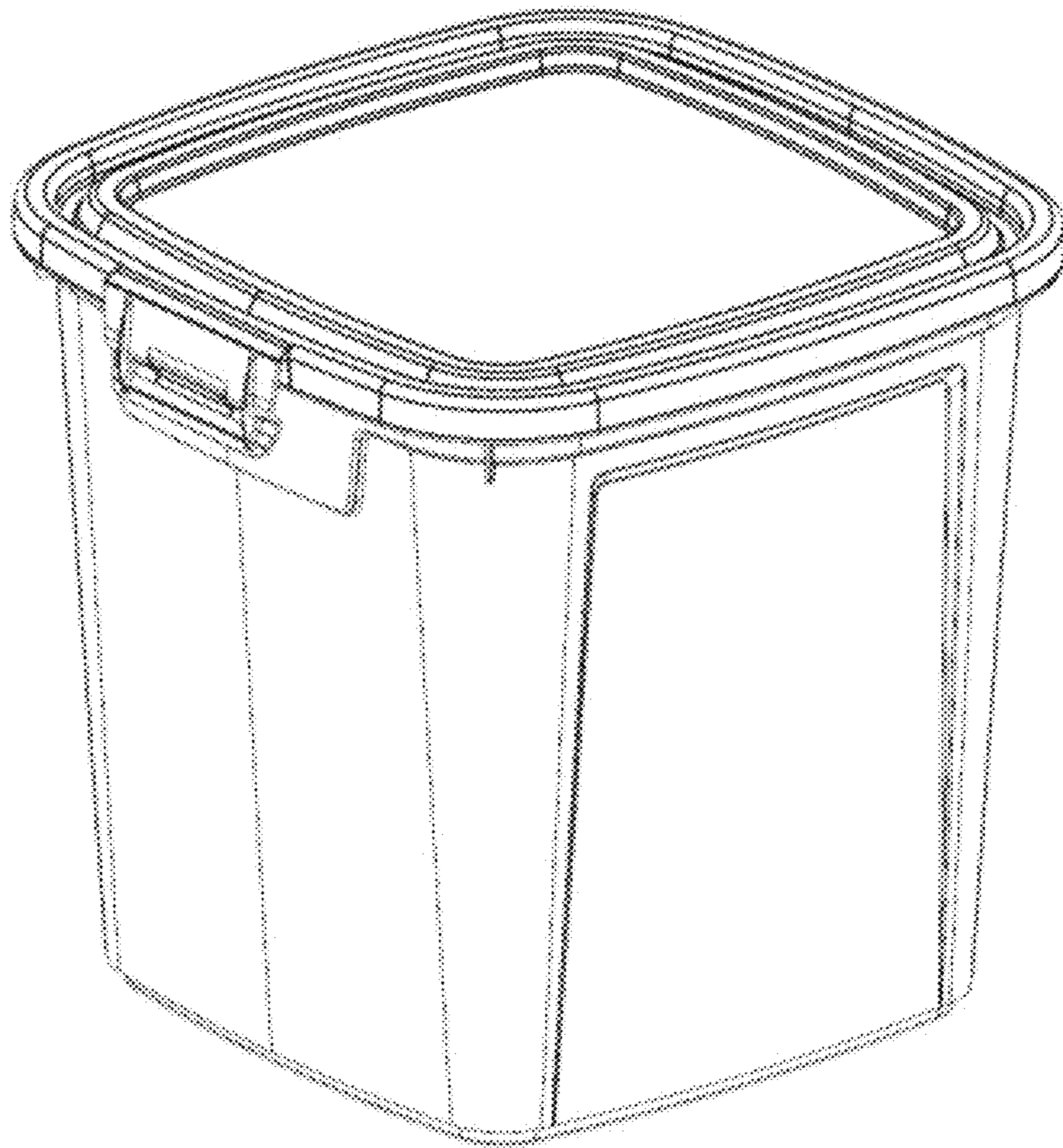


FIG. 9

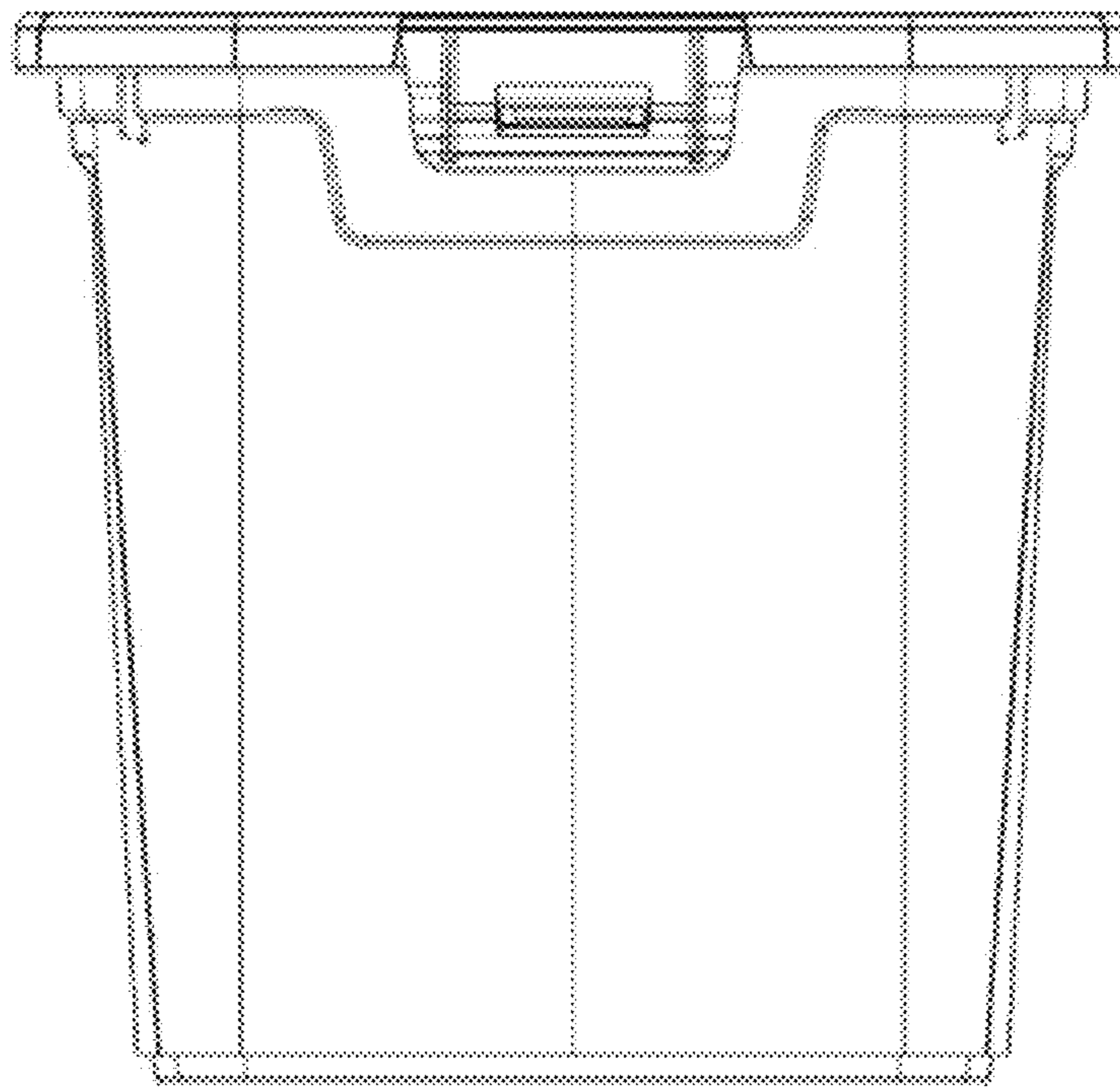


FIG. 10

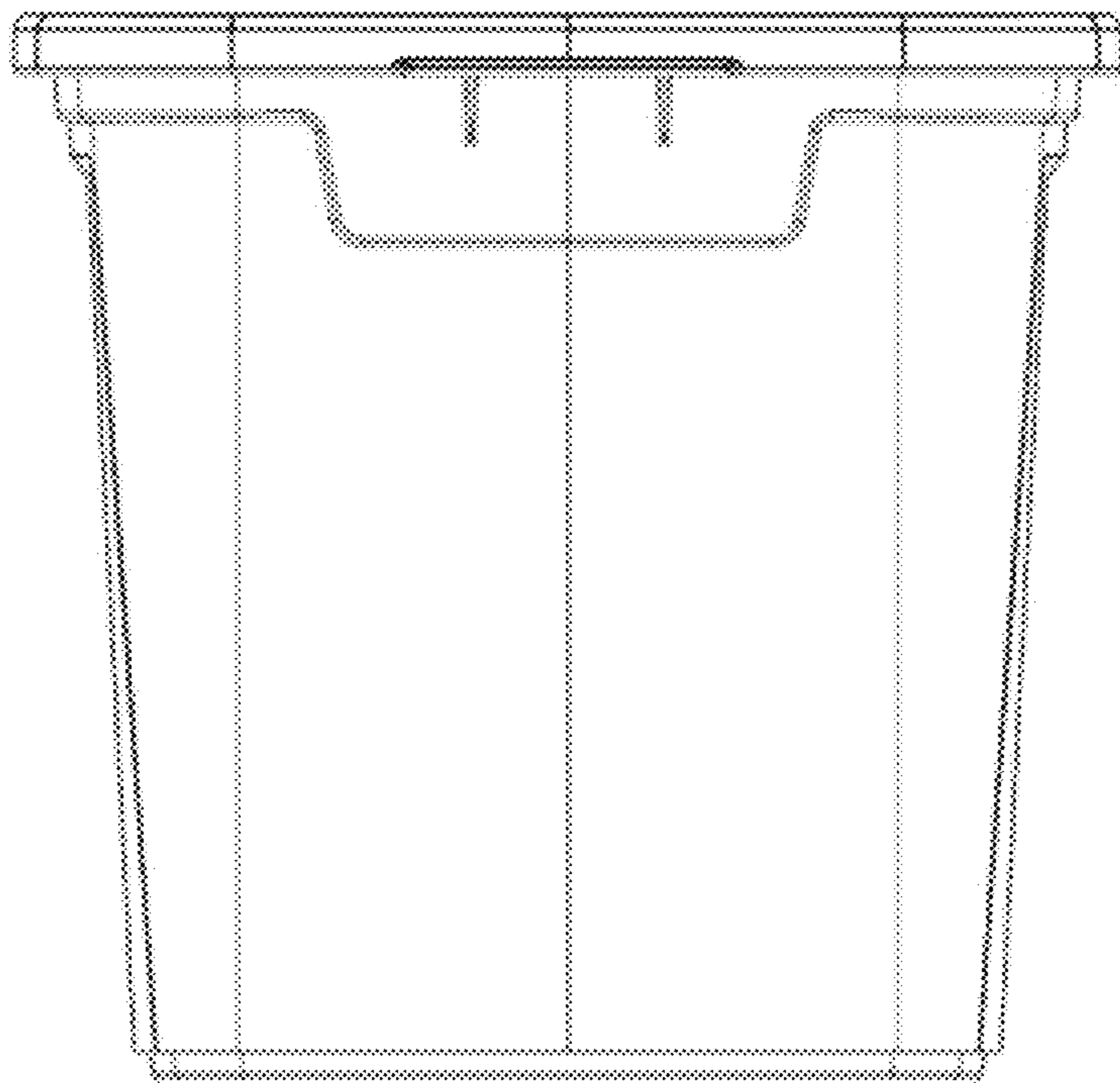


FIG. 11

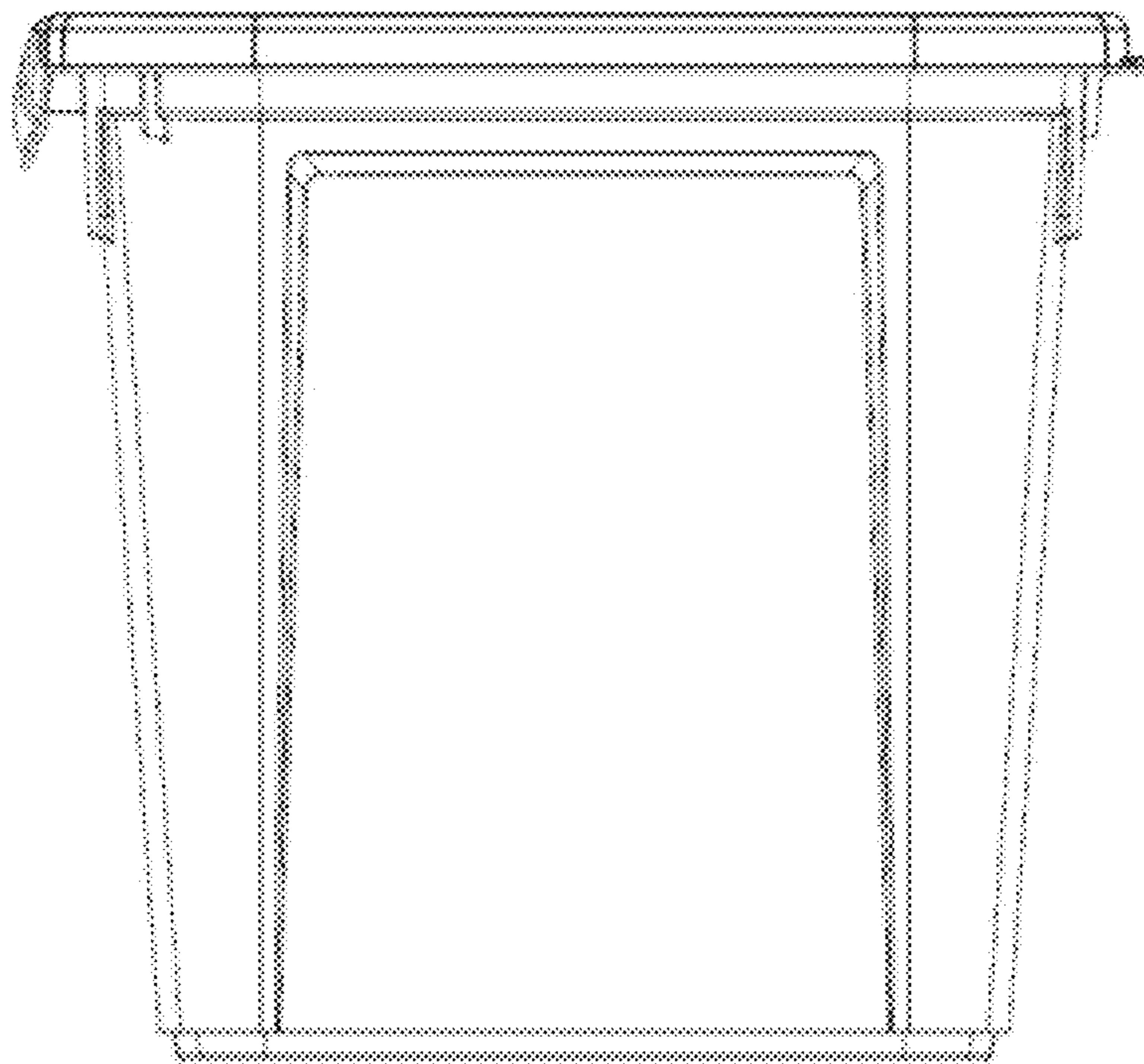


FIG. 12

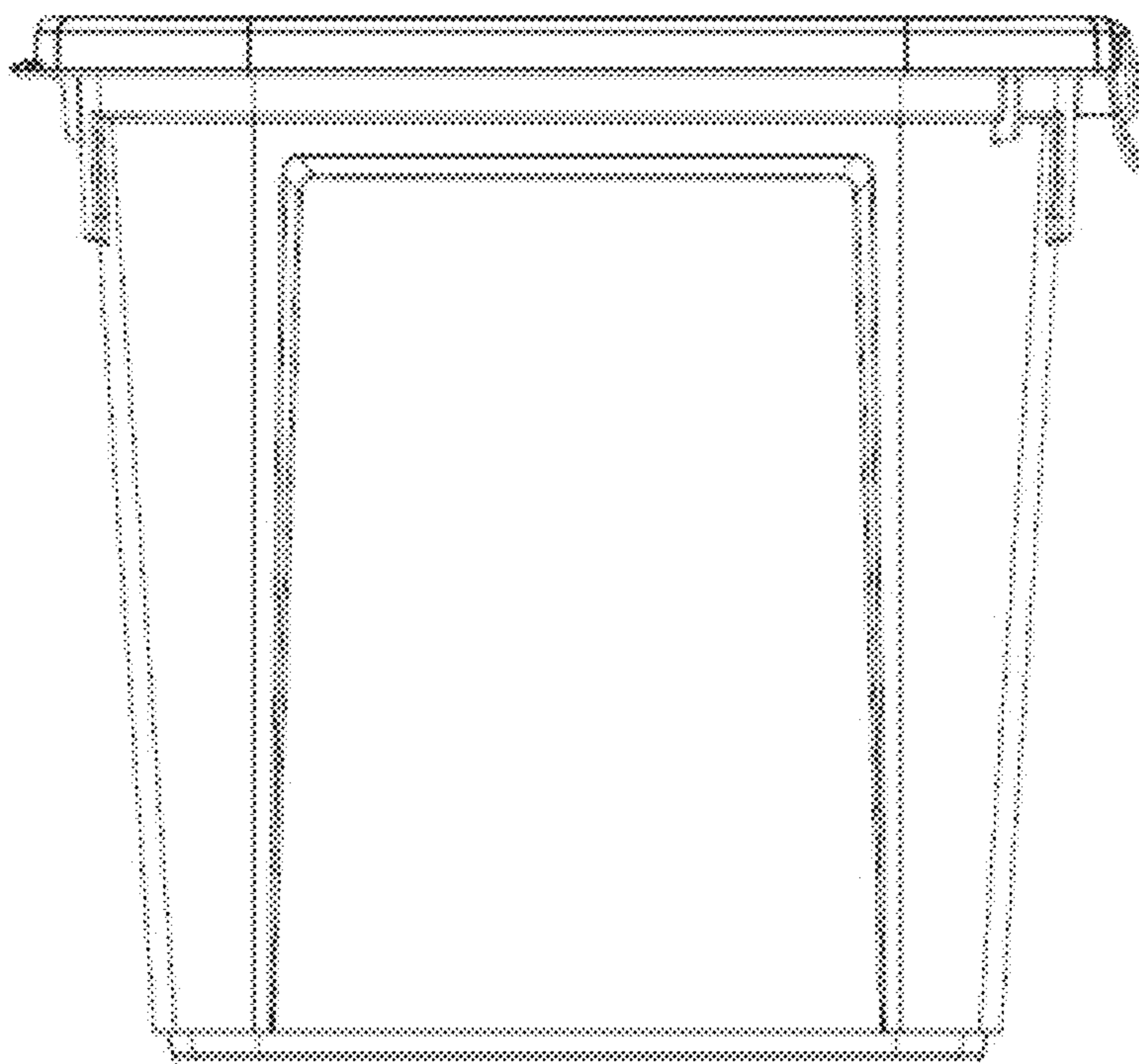


FIG. 13

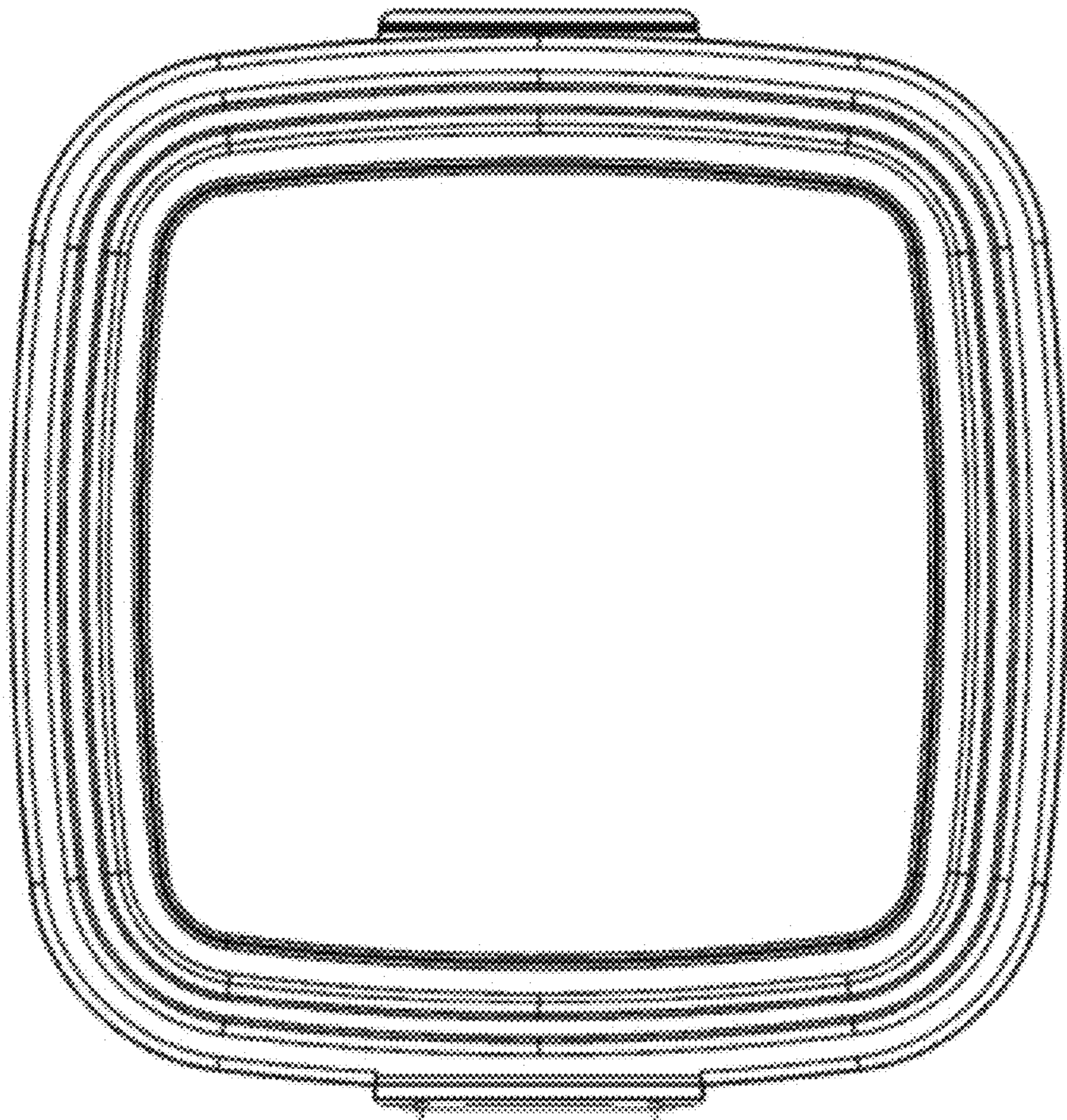


FIG. 14

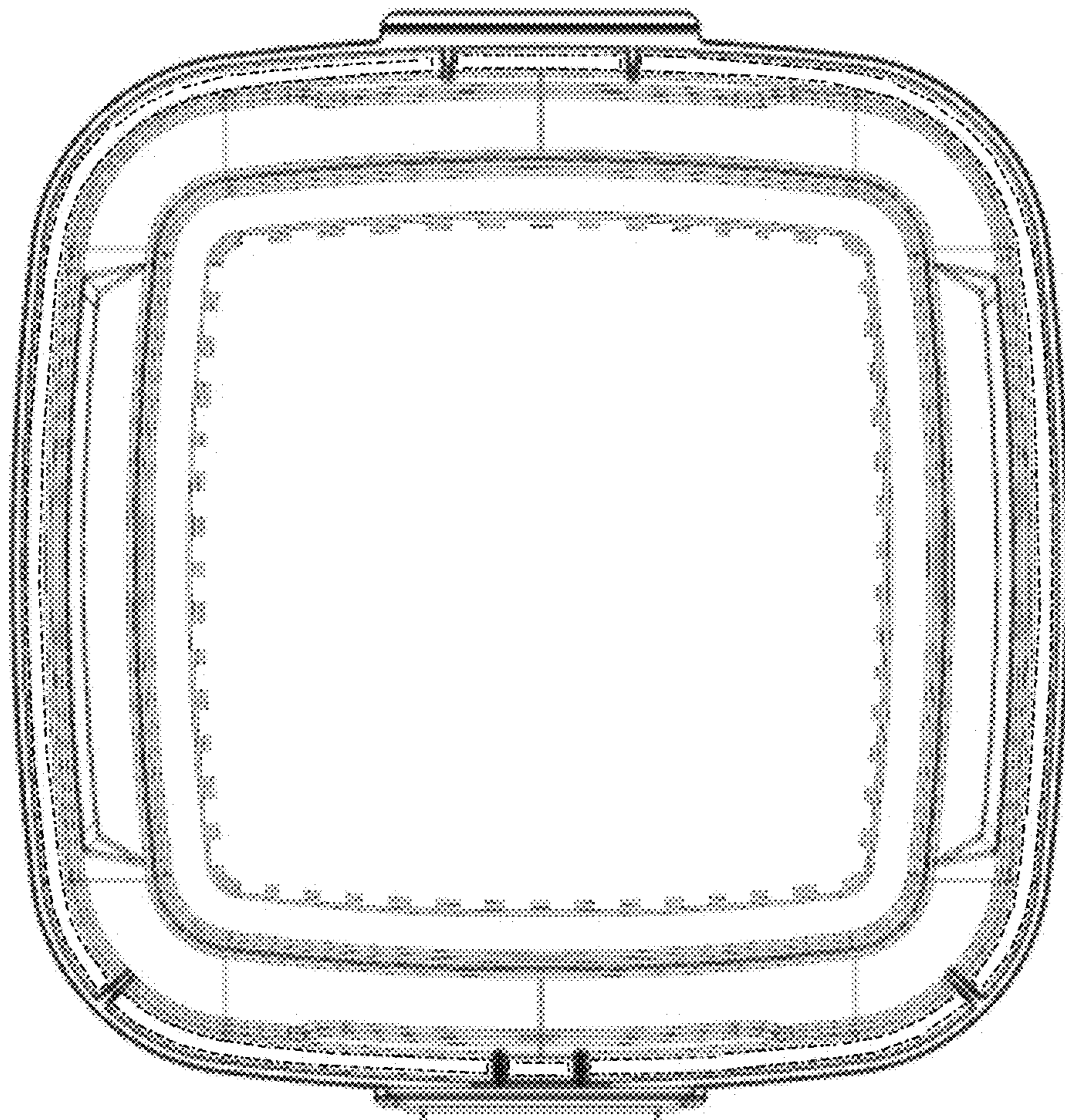


FIG. 15

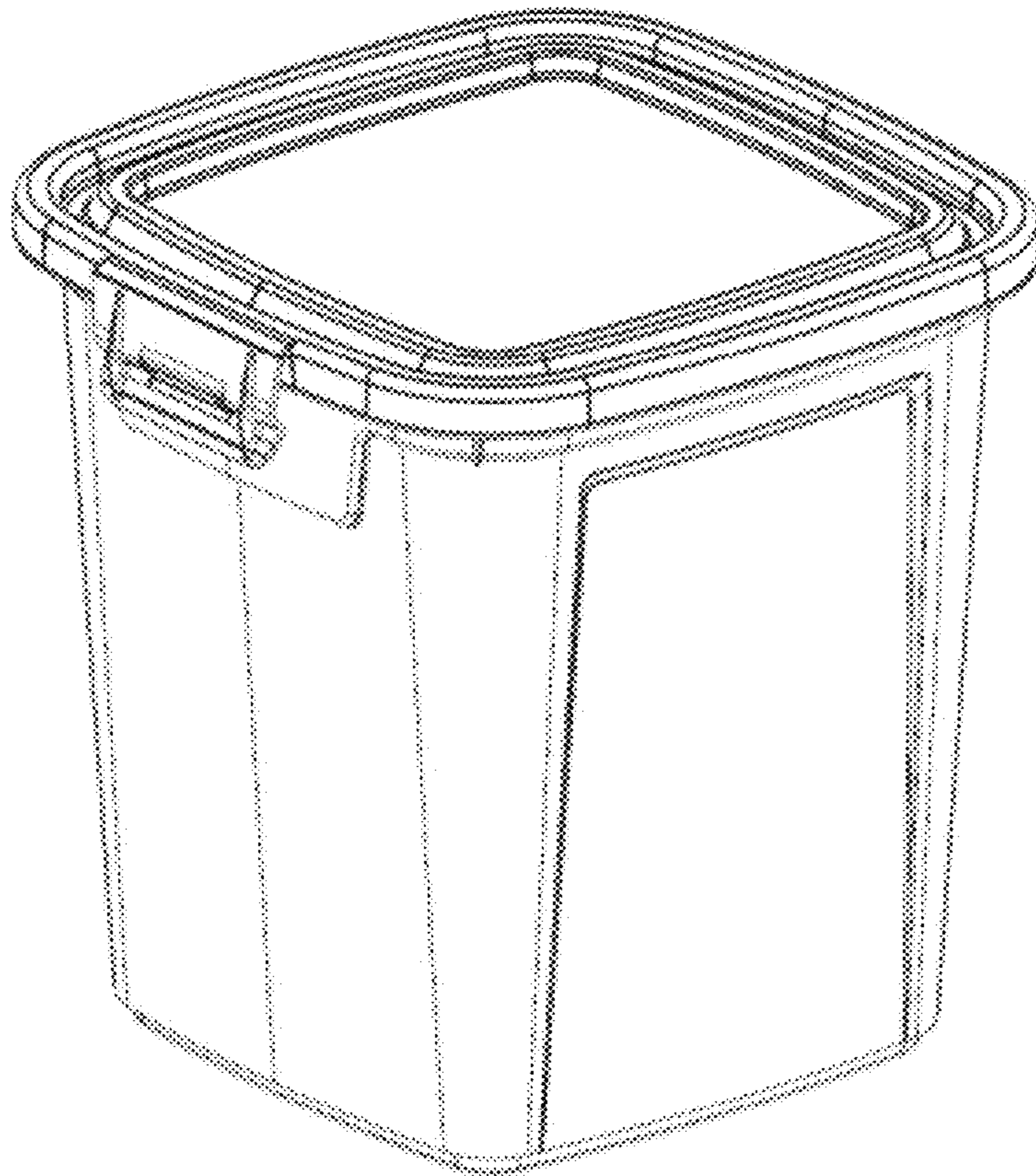


FIG. 16

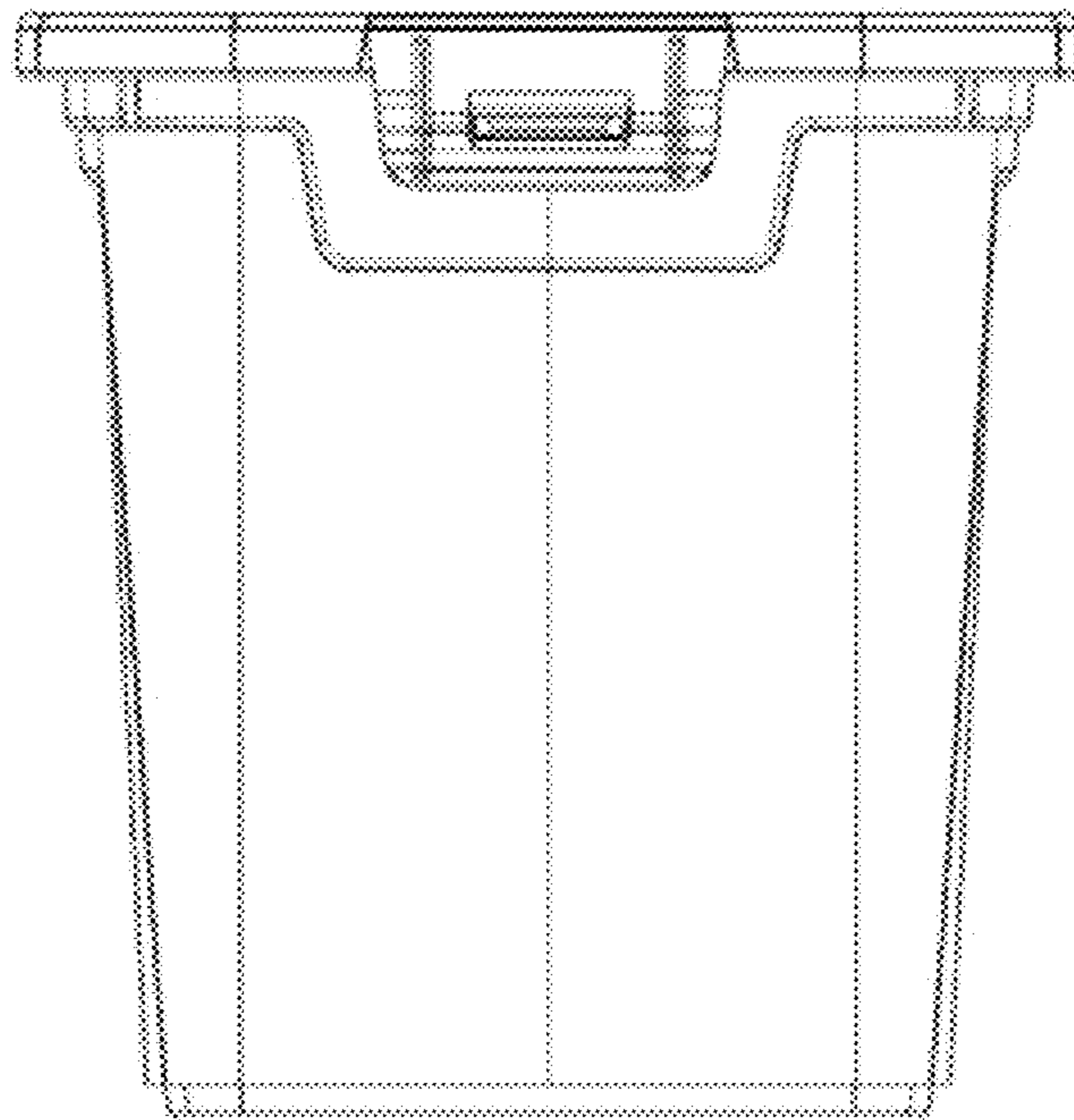


FIG. 17

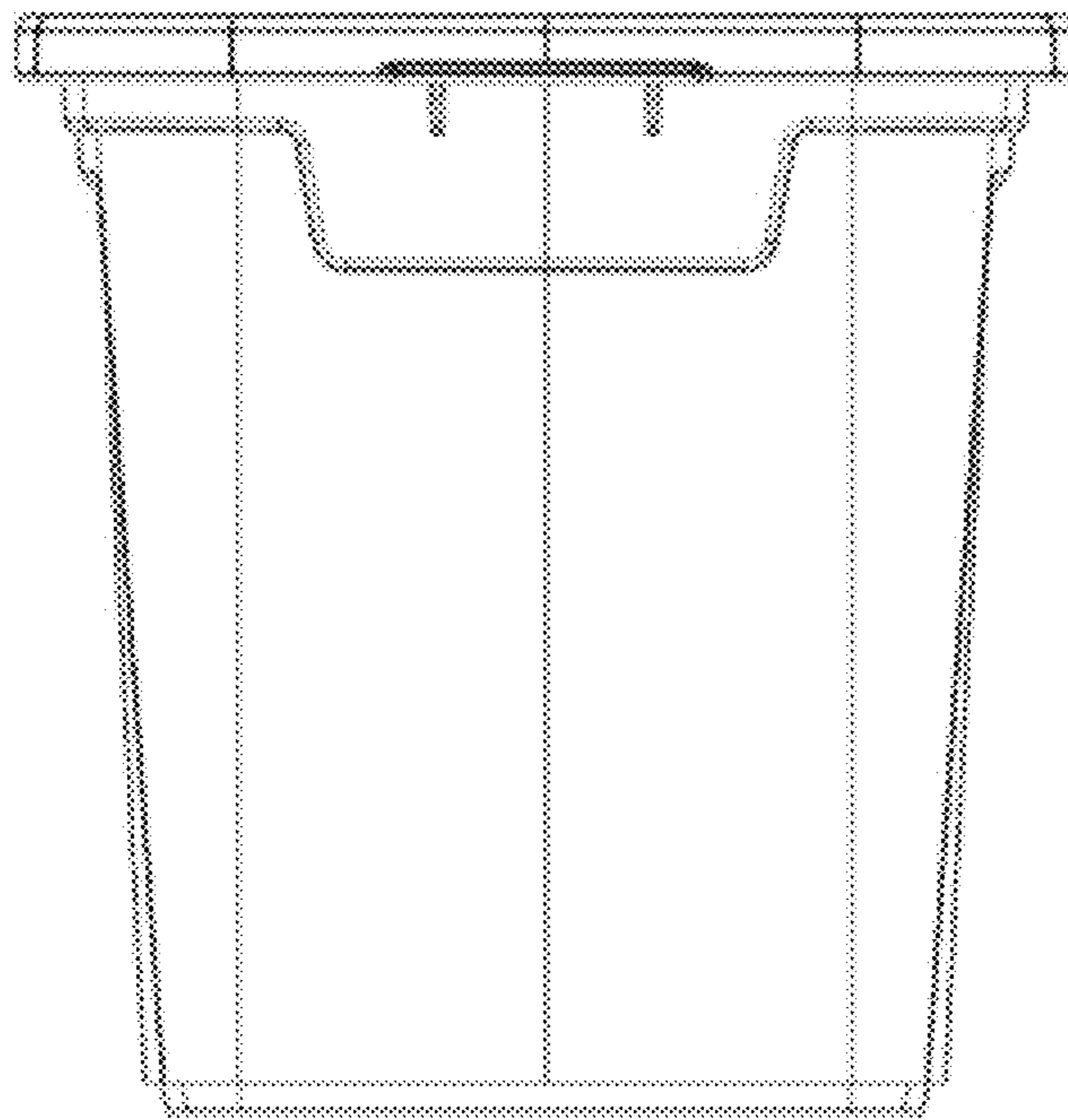


FIG. 18

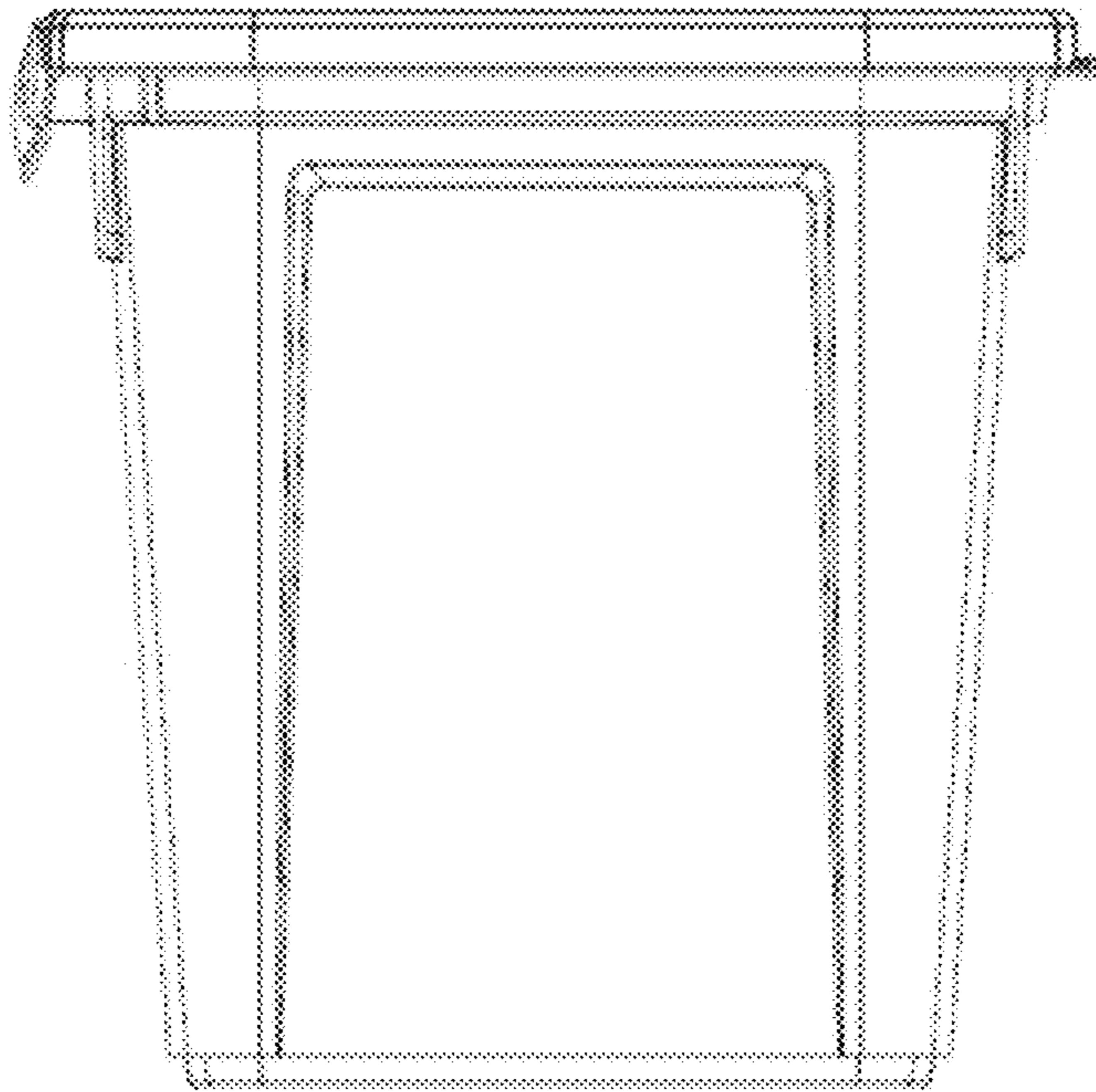


FIG. 19

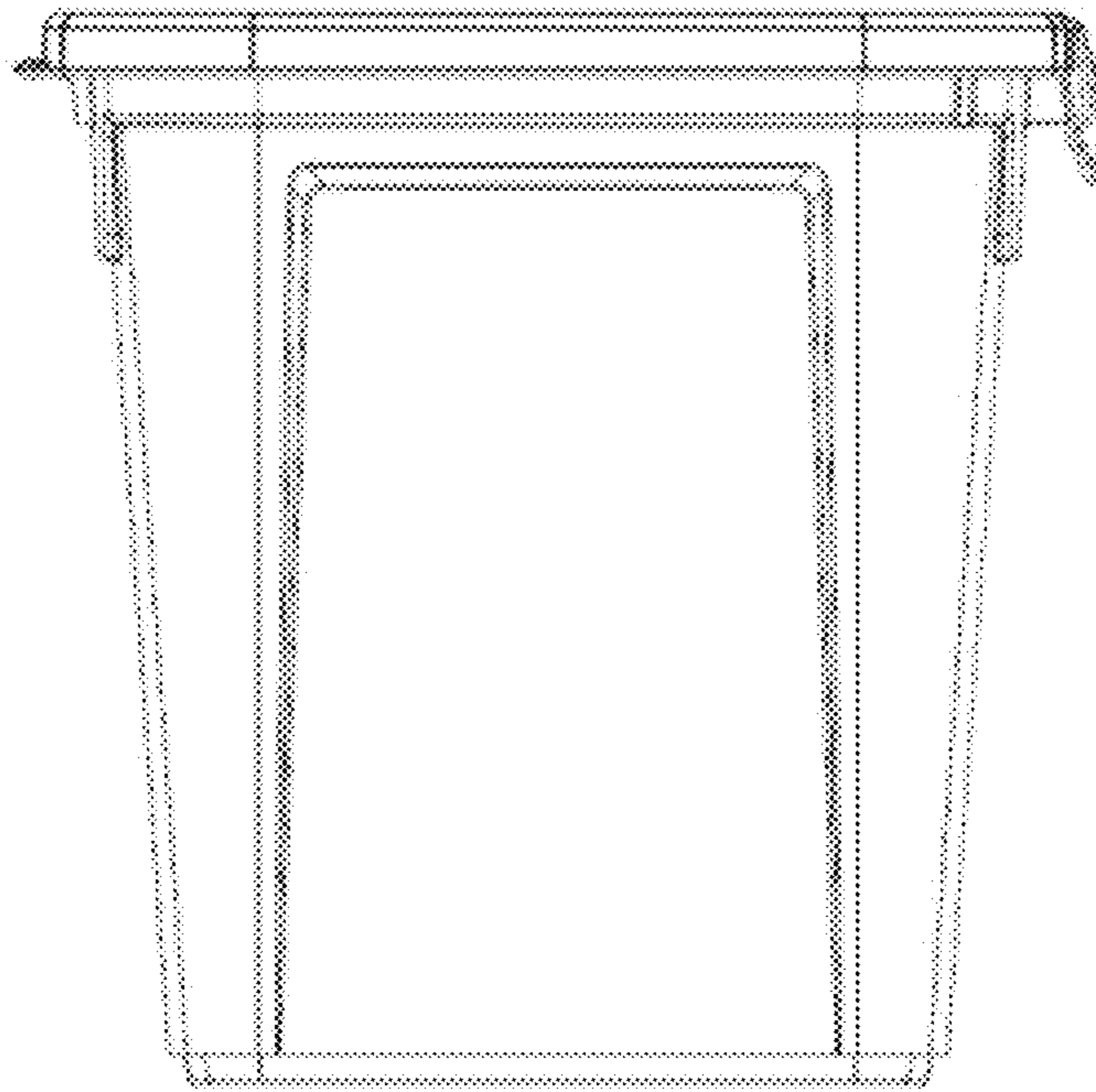


FIG. 20

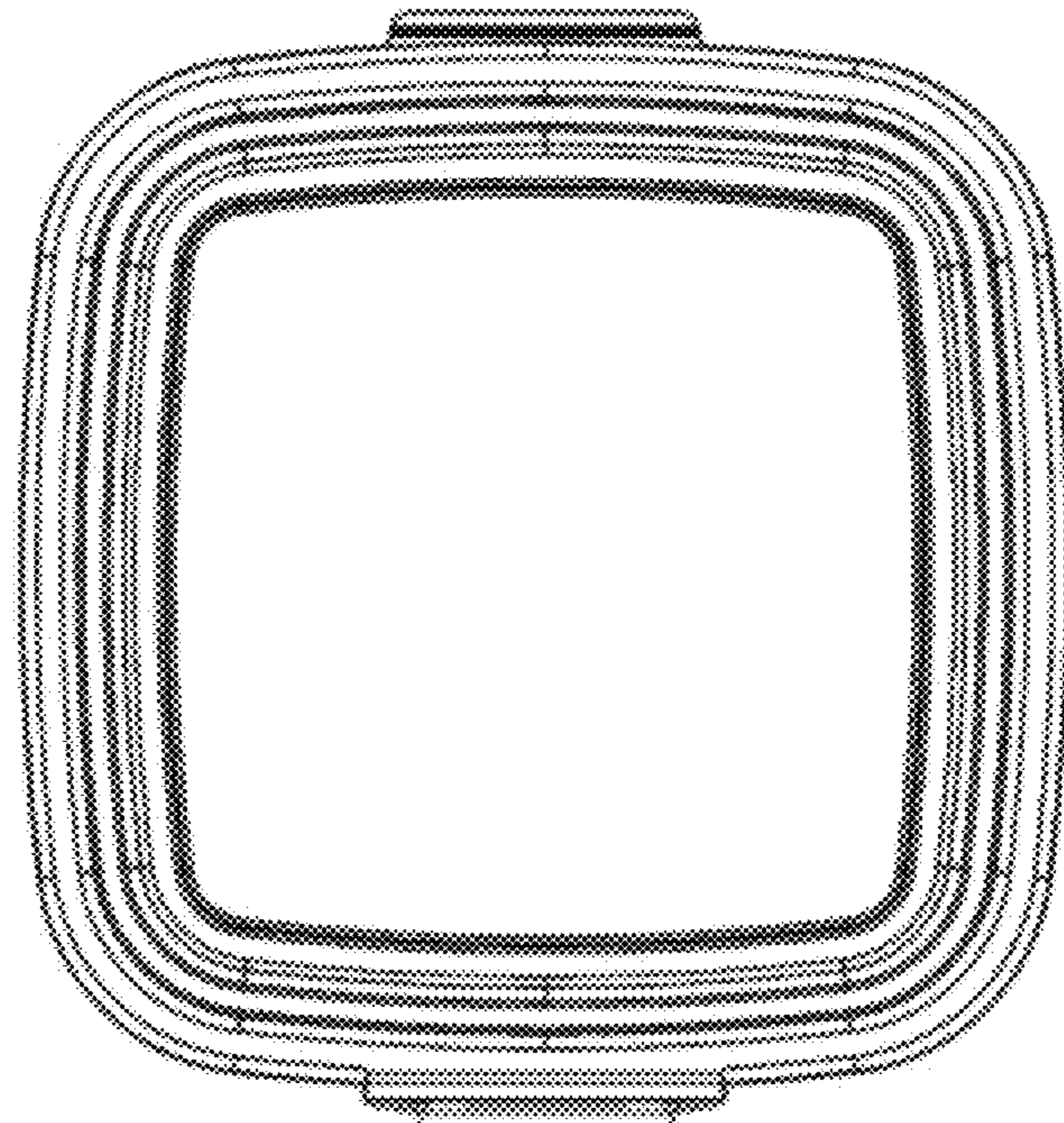


FIG. 21

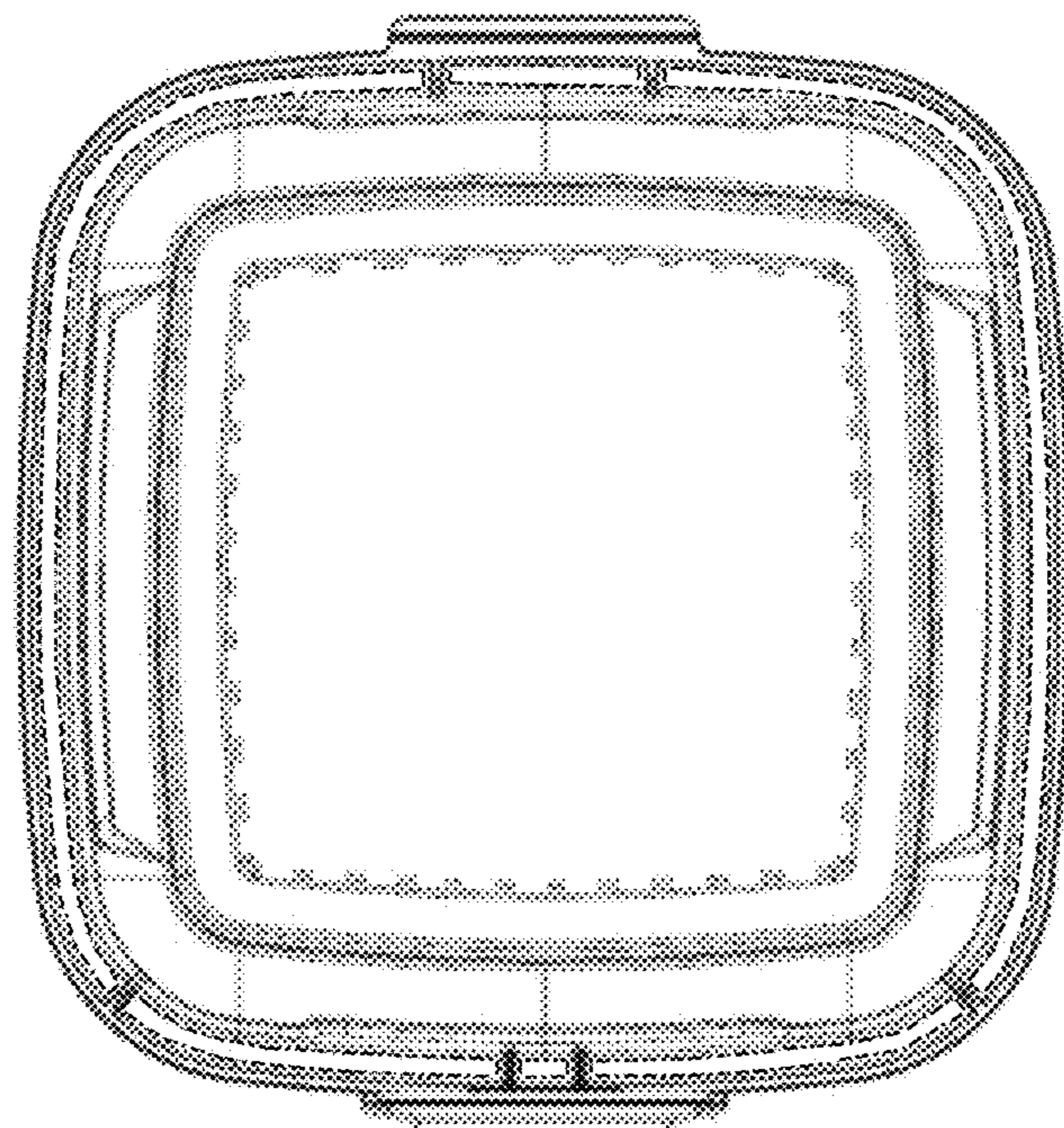


FIG. 22

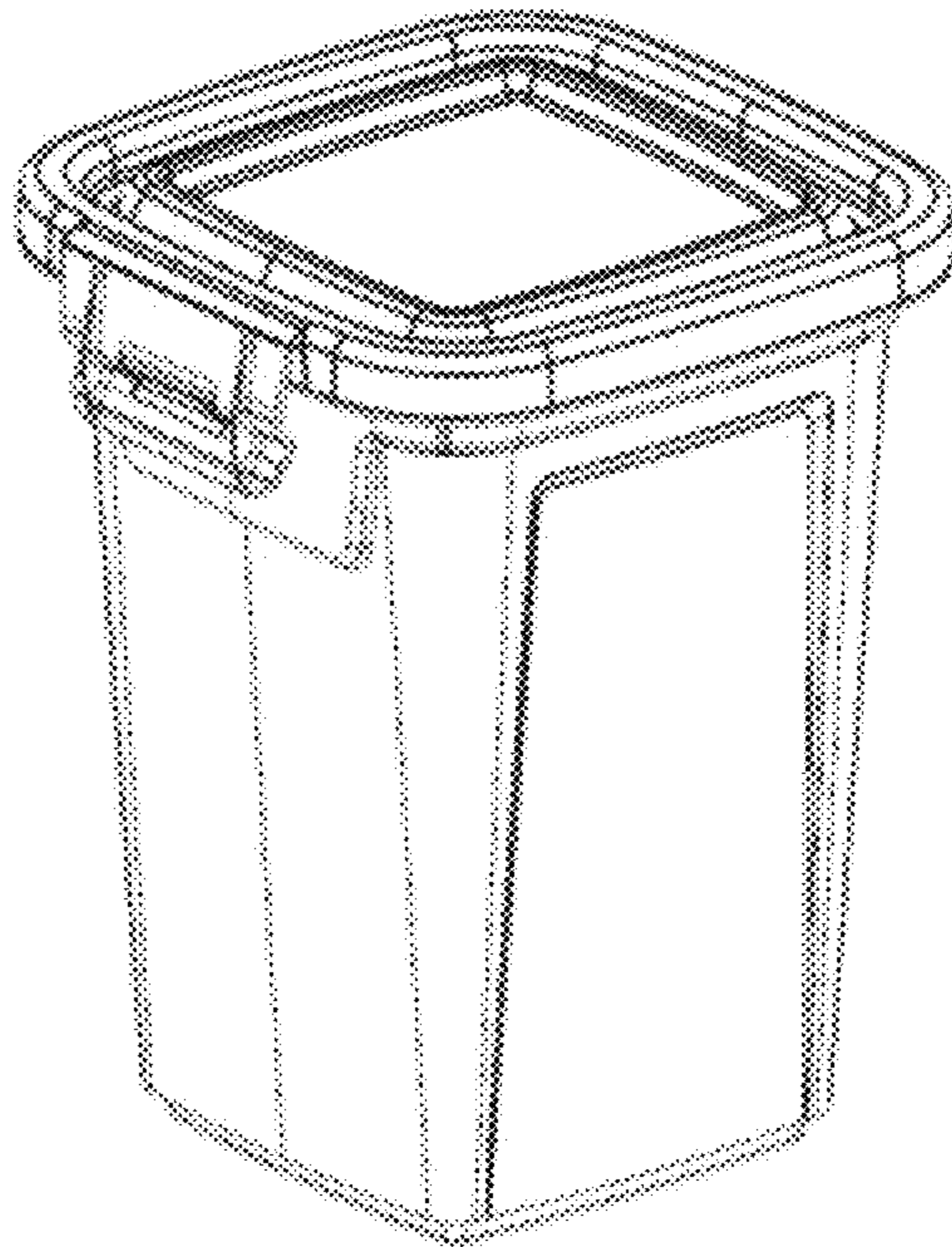


FIG. 23

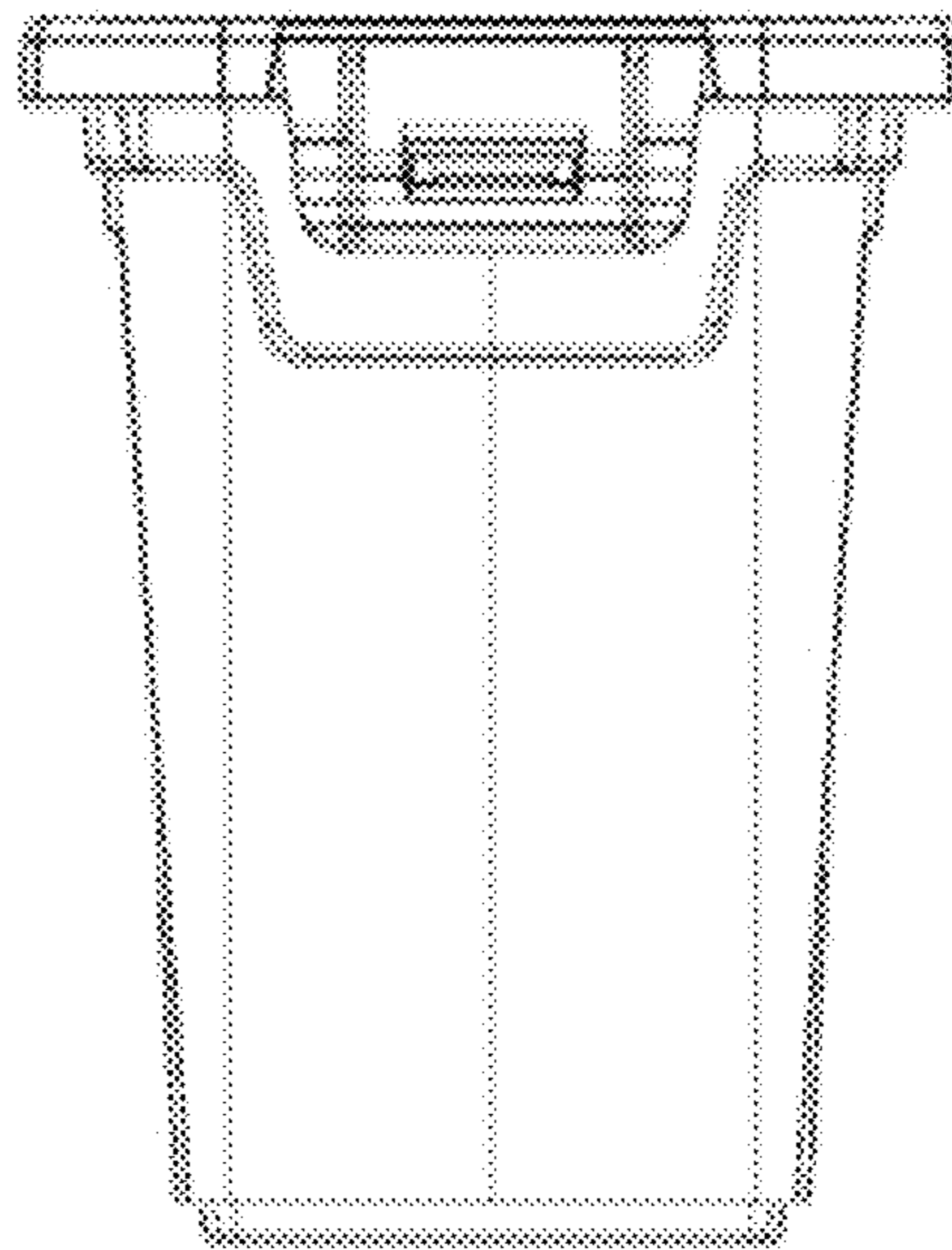


FIG. 24

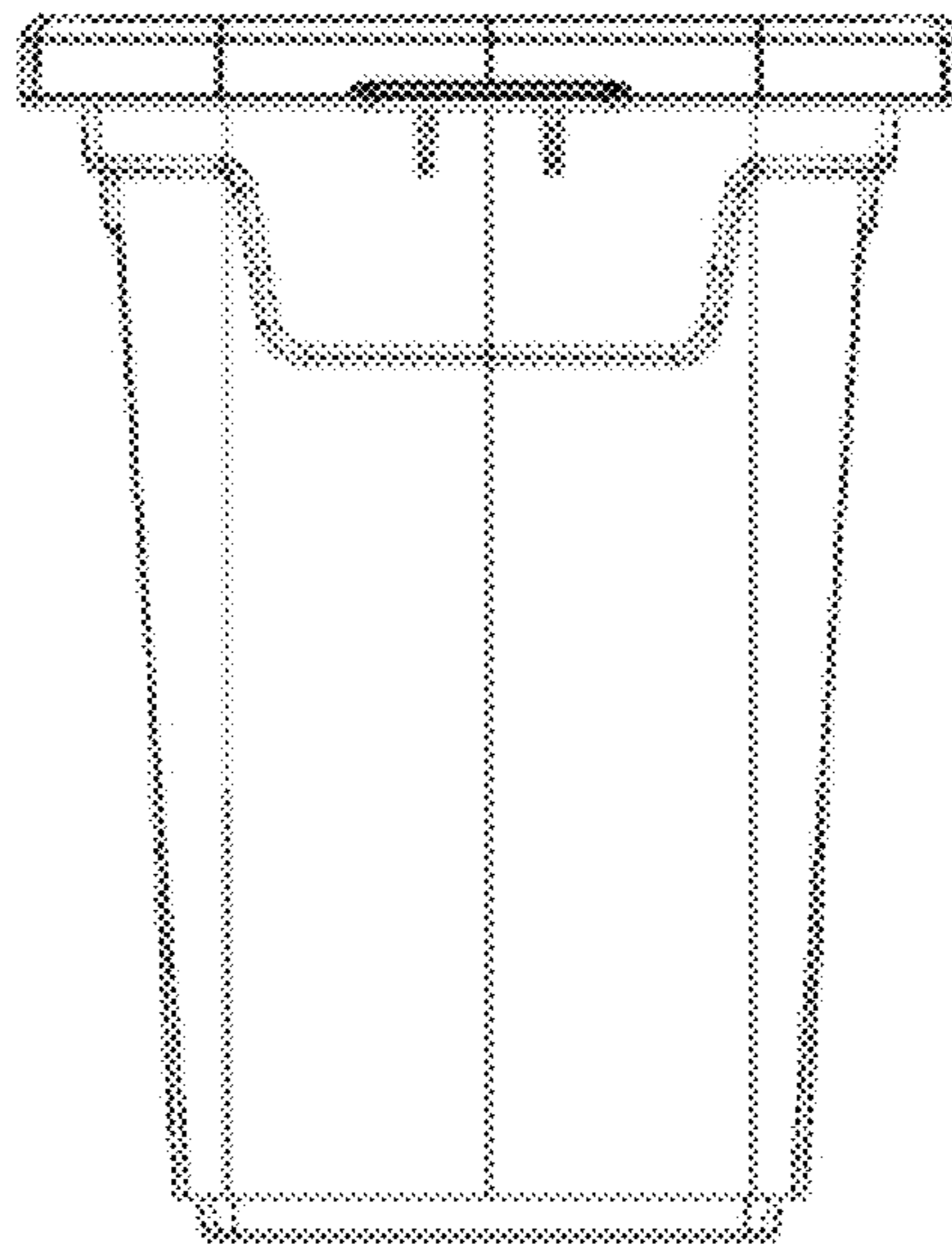


FIG. 25

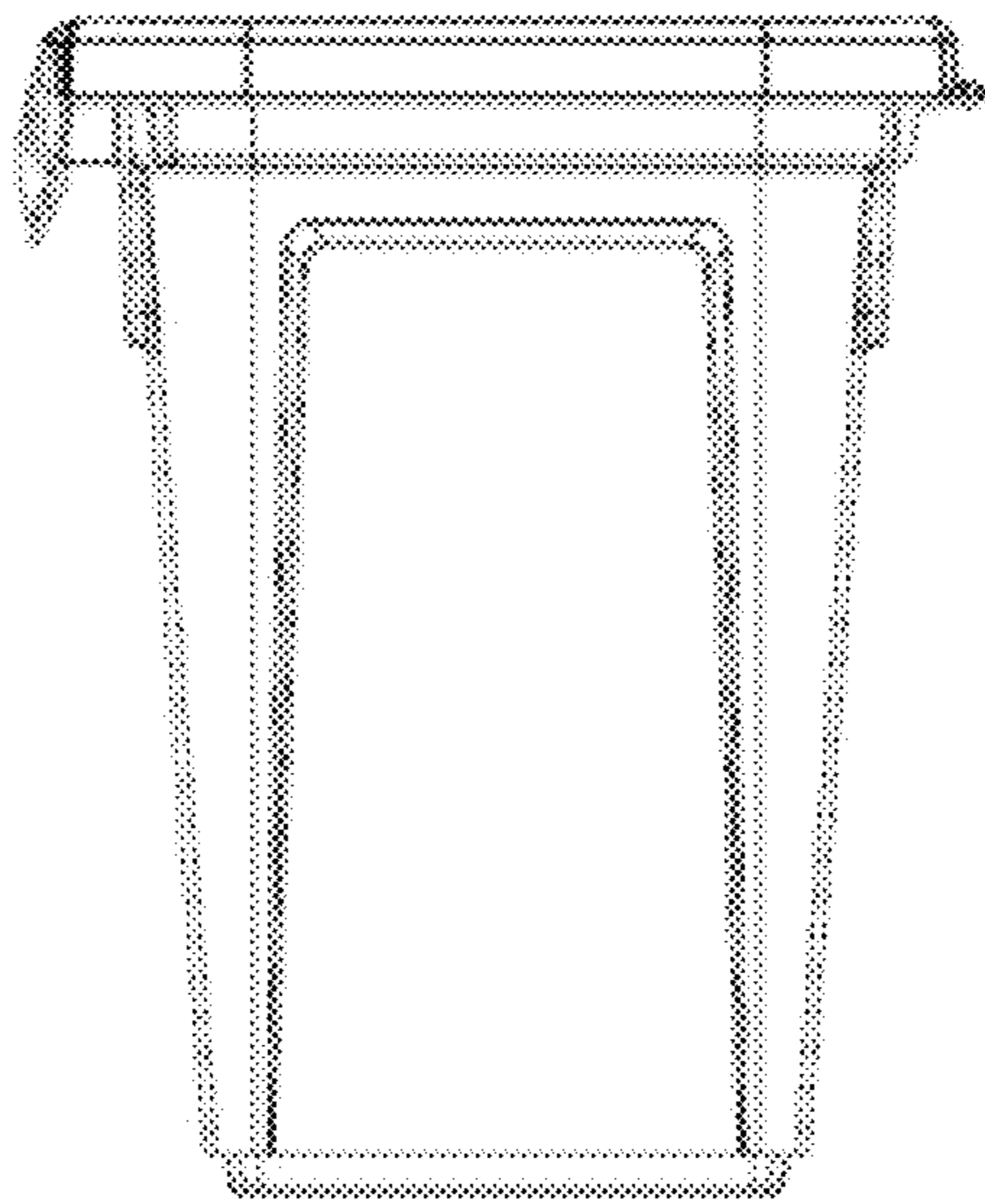


FIG. 26

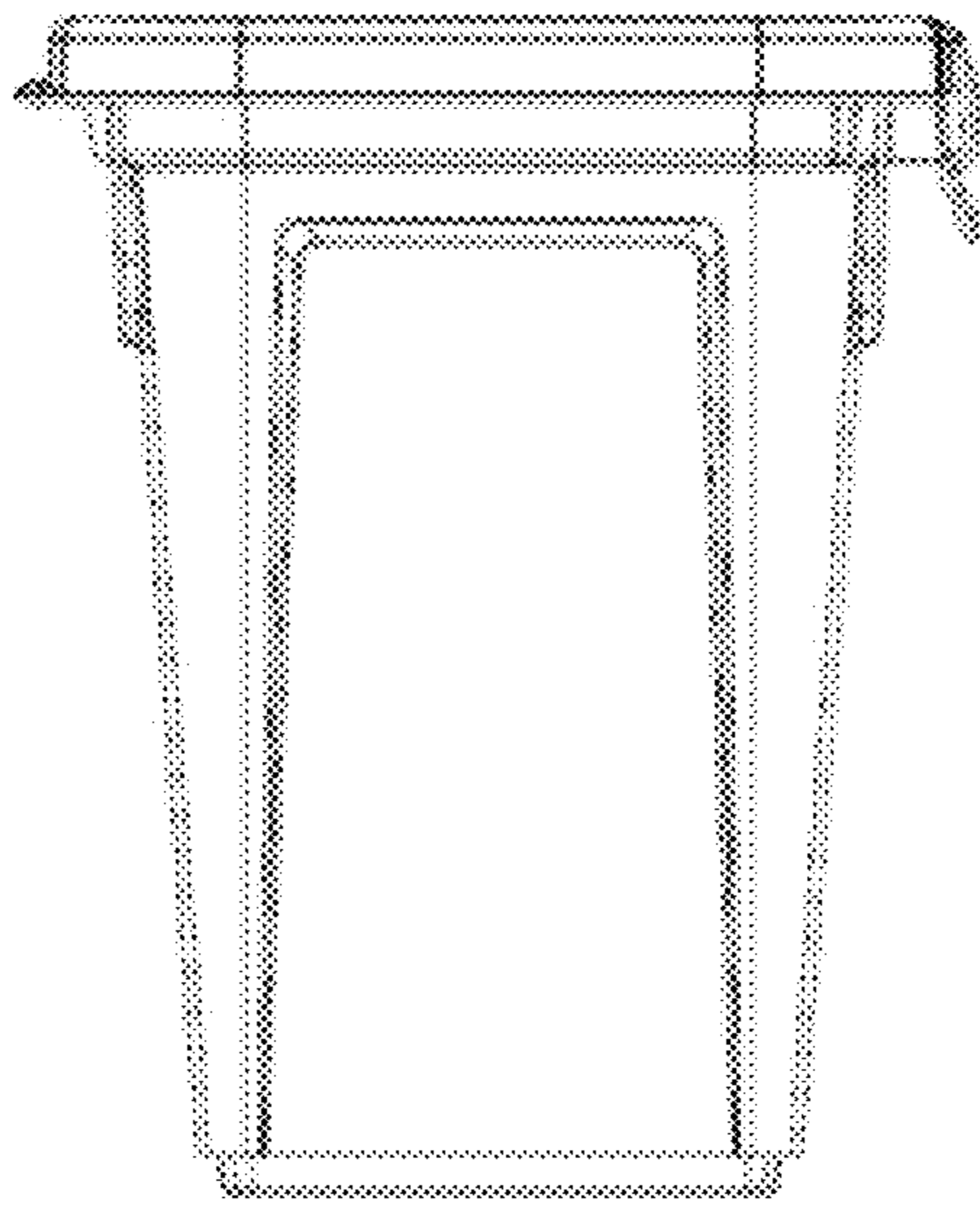


FIG. 27

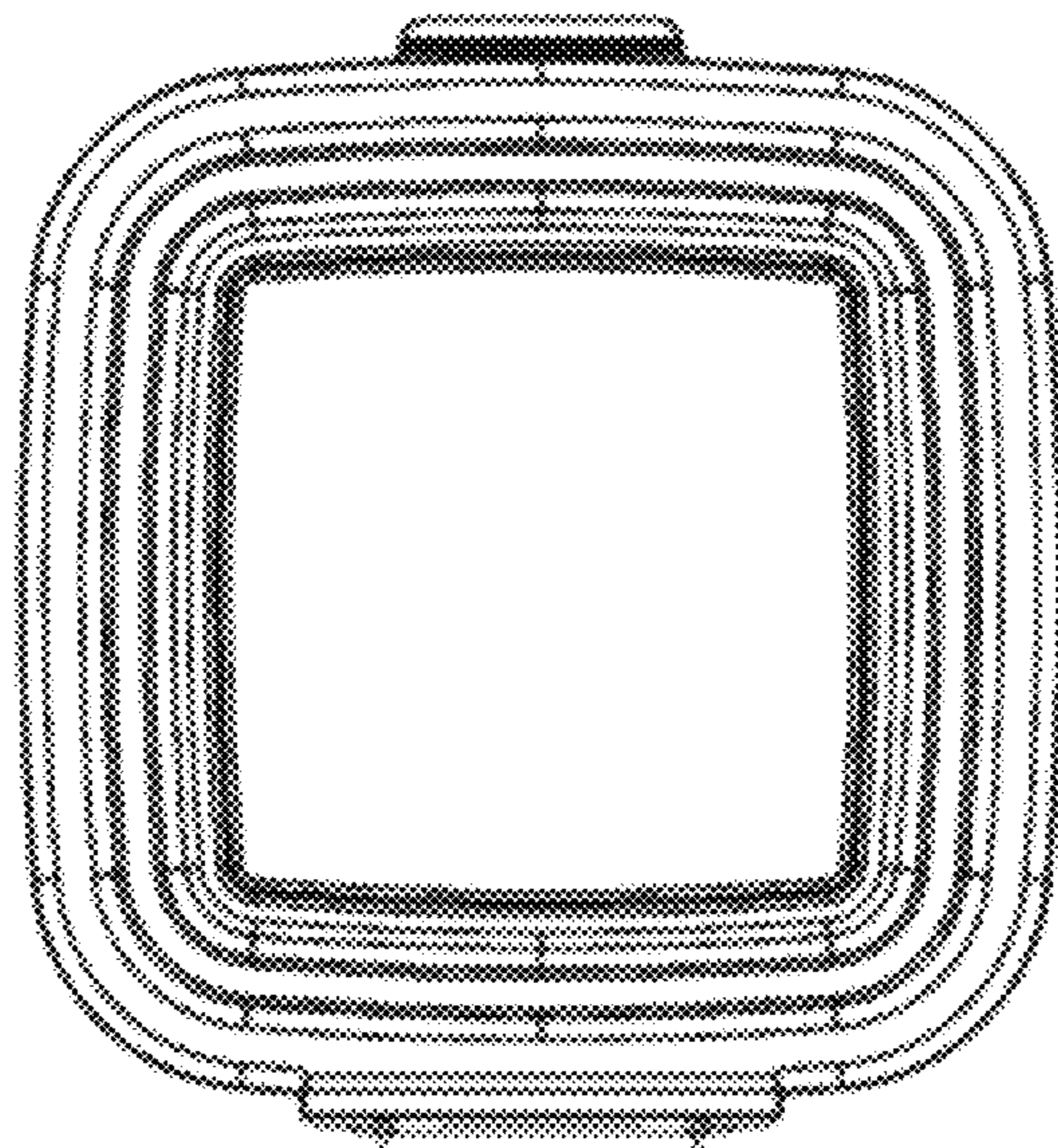


FIG. 28

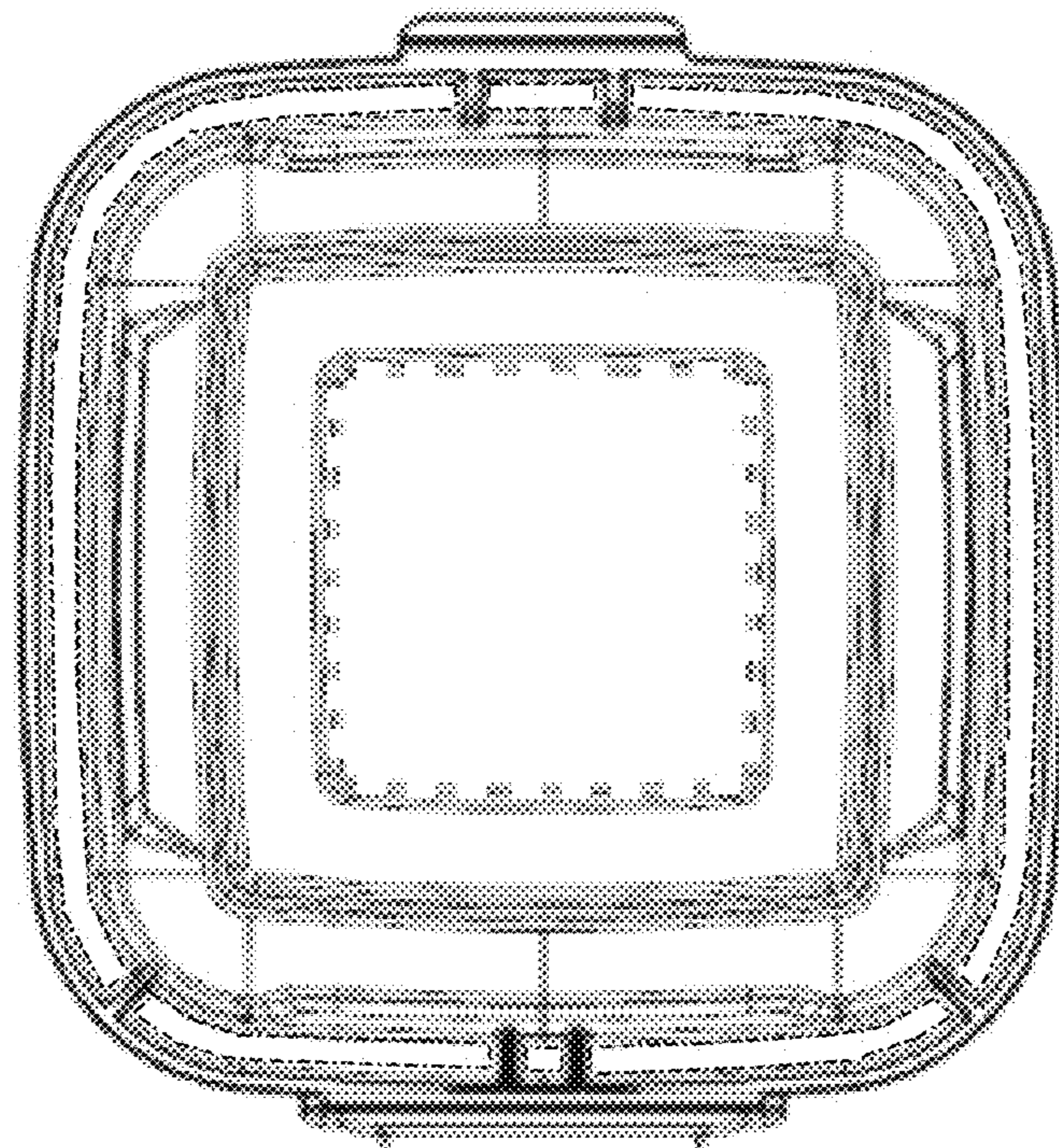


FIG. 29

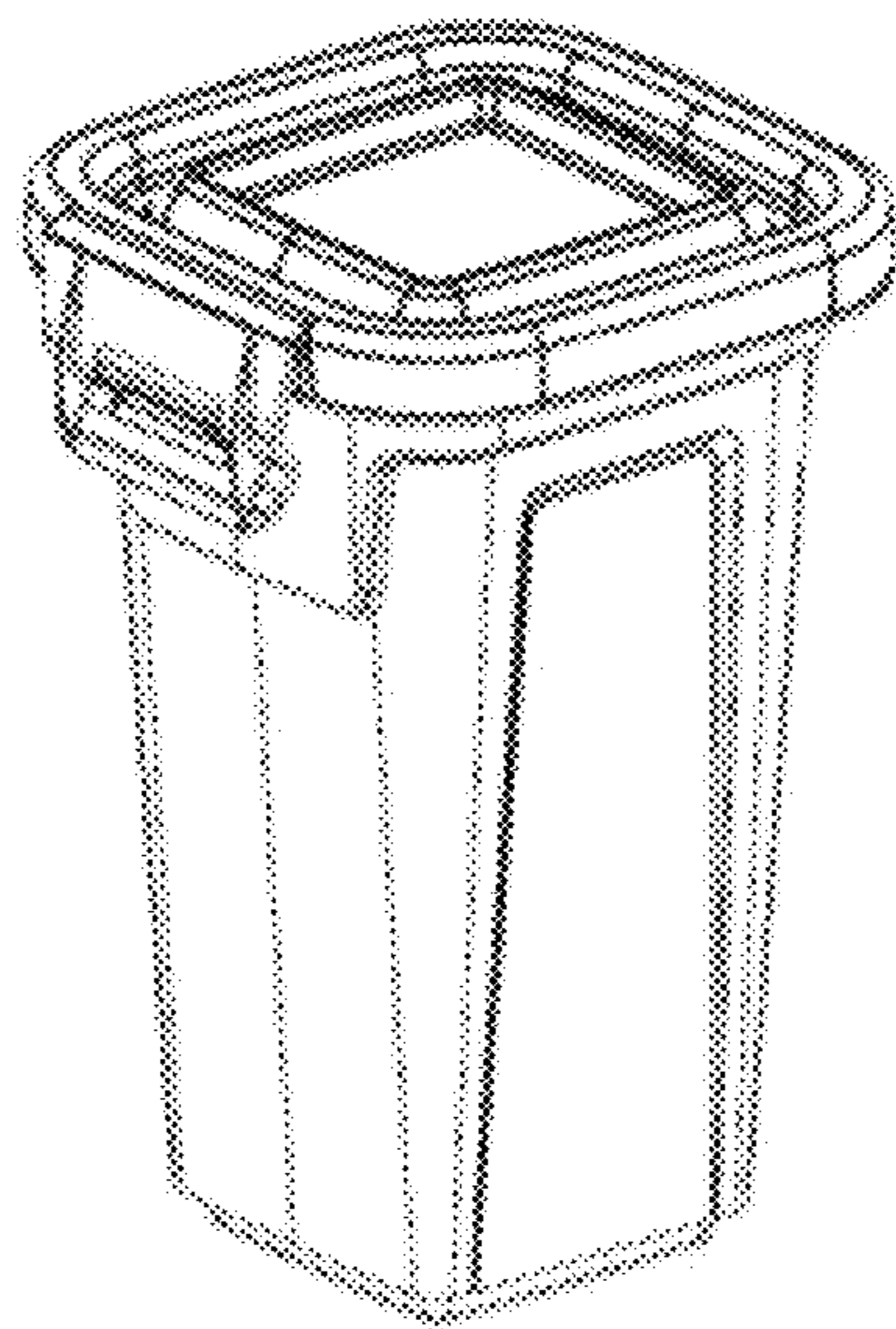


FIG. 30

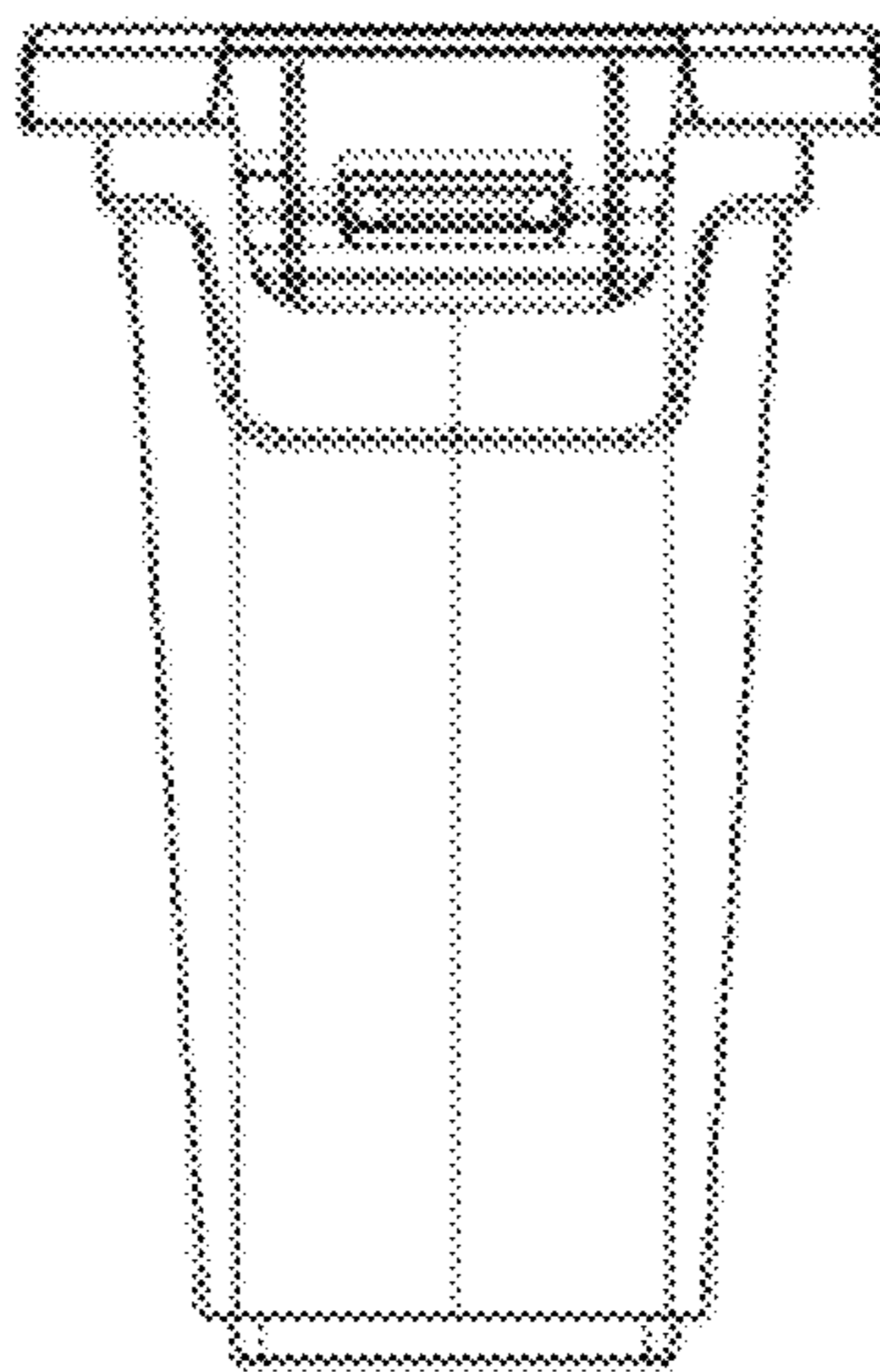


FIG. 31

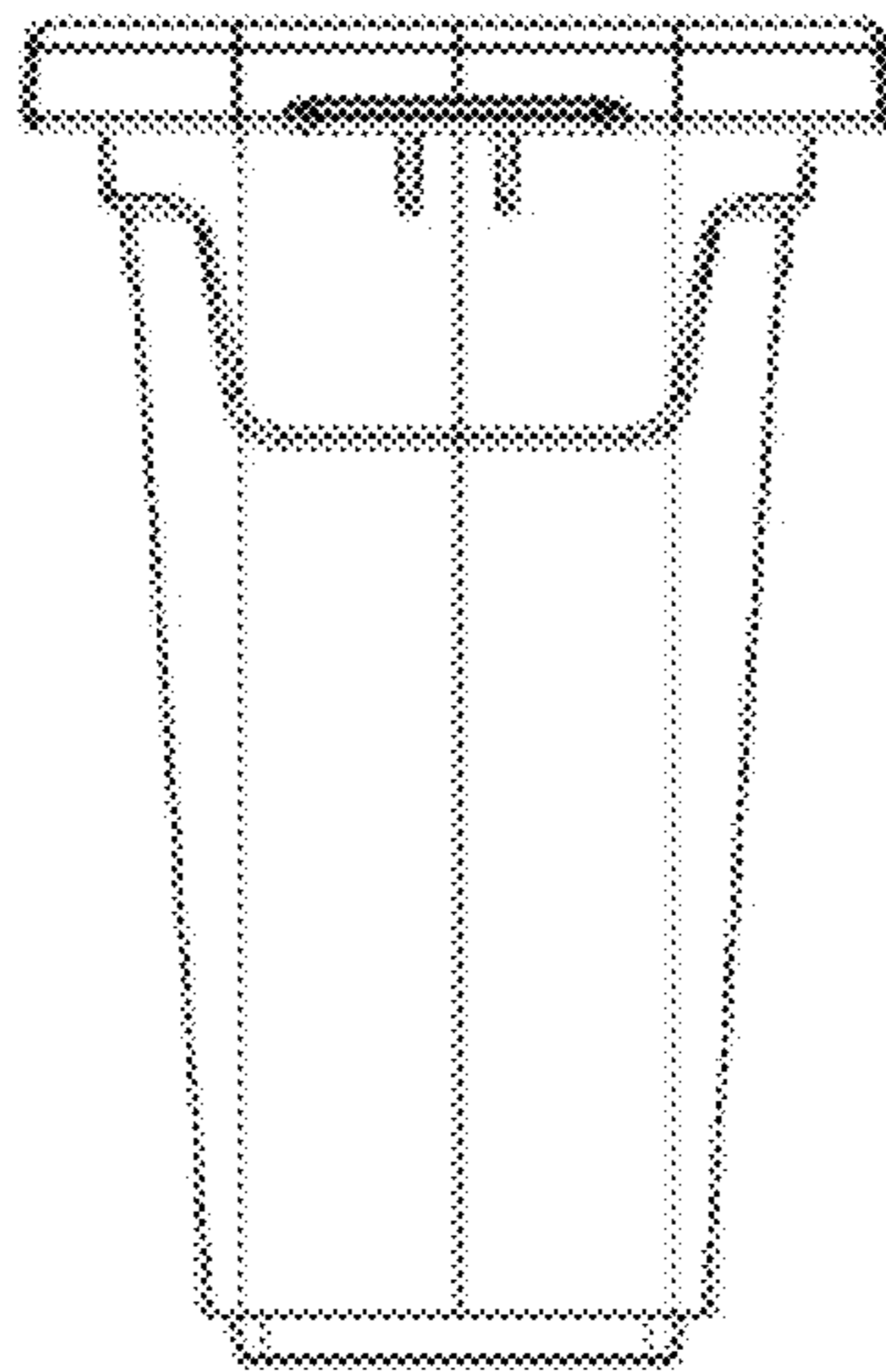


FIG. 32

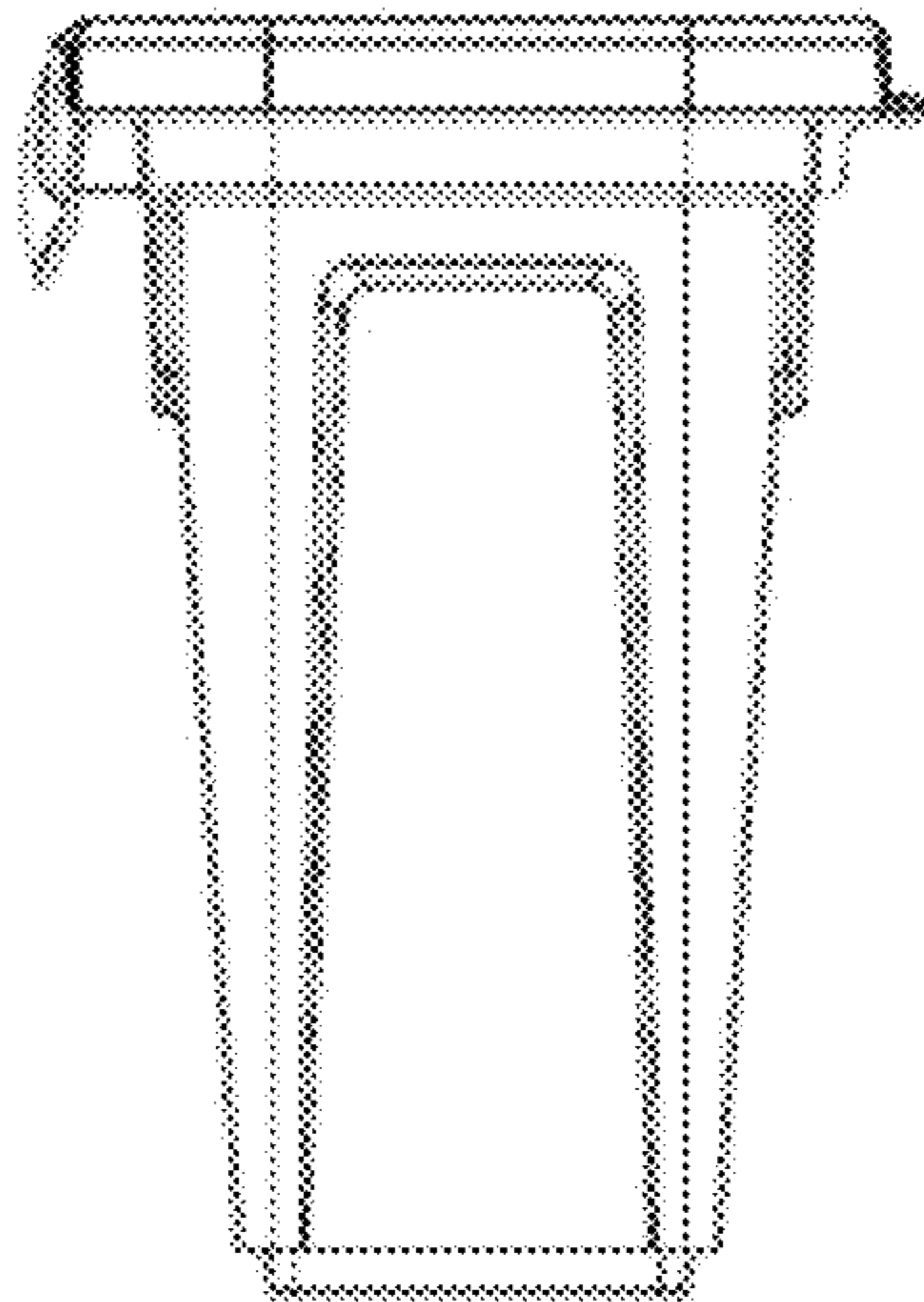


FIG. 33

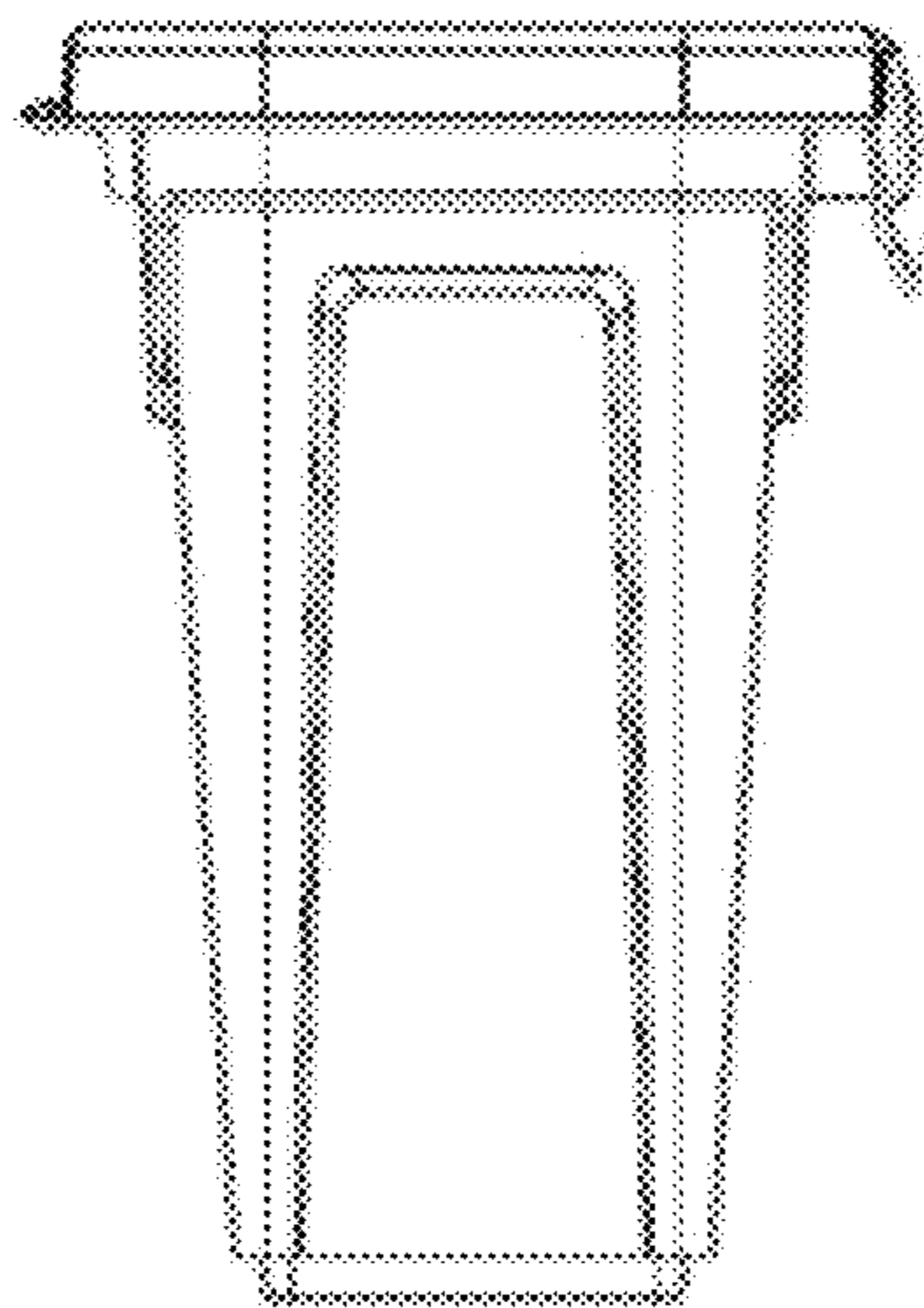


FIG. 34

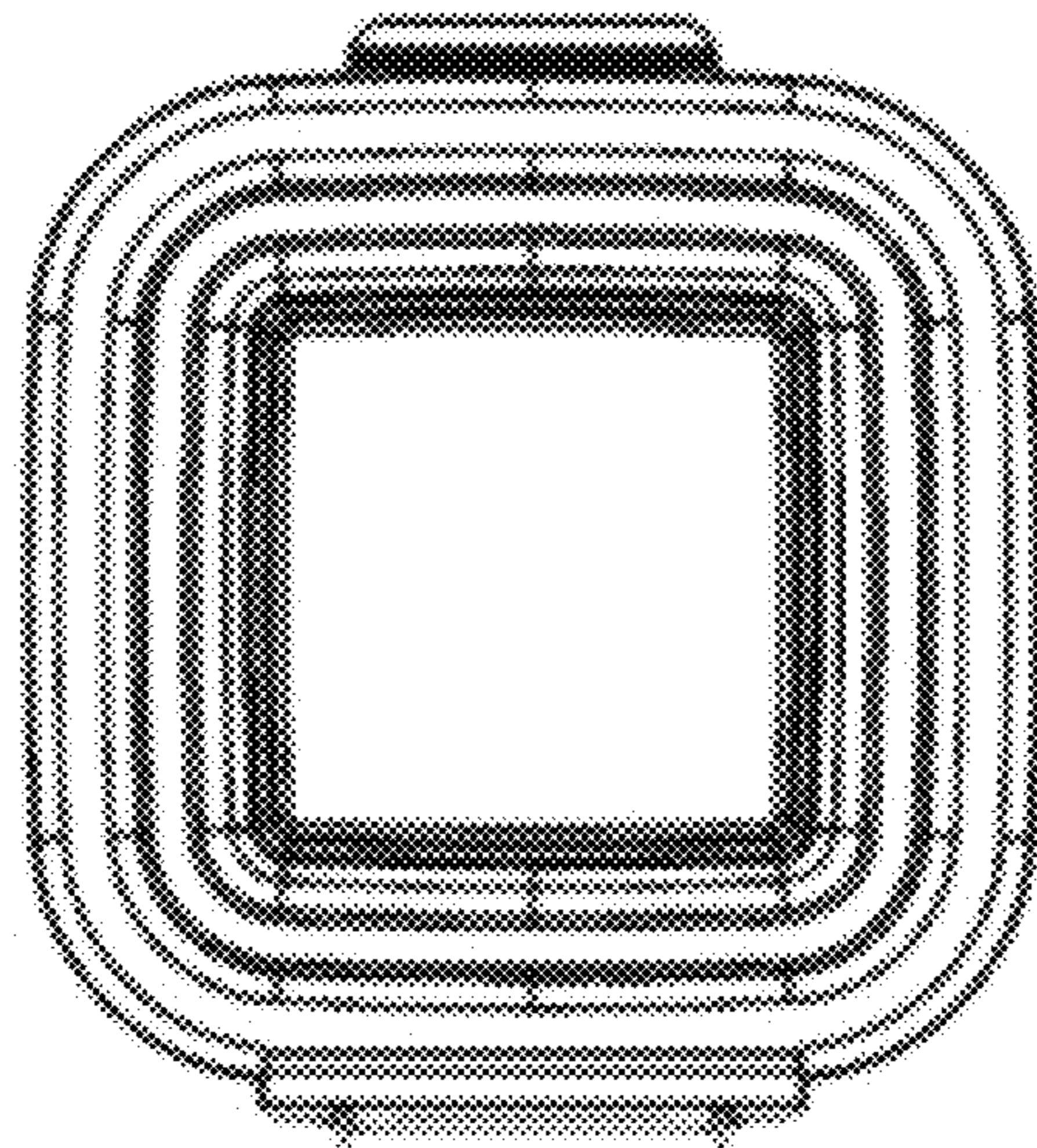


FIG. 35

