



US00D836406S

(12) **United States Design Patent** (10) **Patent No.:** **US D836,406 S**
Roberts (45) **Date of Patent:** **** Dec. 25, 2018**

(54) **BEVERAGE CAN HOLDER WITH
RETAINING RING**

D638,709 S * 5/2011 Yourist D9/500
D652,264 S * 1/2012 Fuller D7/608
8,251,247 B1 8/2012 Breckner

(Continued)

(71) Applicant: **Ryan A. Roberts**, Atlanta, GA (US)

FOREIGN PATENT DOCUMENTS

(72) Inventor: **Ryan A. Roberts**, Atlanta, GA (US)

JP D2016-26426 * 12/2016

(**) Term: **15 Years**

OTHER PUBLICATIONS

(21) Appl. No.: **29/598,625**

EPIC 12oz Insulated Can Cooler. Online, published date Mar. 19, 2016. Retrieved on Mar. 8, 2018 from URL: <https://www.amazon.com/EPIC-Insulated-Cooler-Double-Insulator-Cold-Holder-Insulated/dp/B01D5UJZ3O>.*

(Continued)

(22) Filed: **Mar. 28, 2017**

(51) **LOC (11) Cl.** **09-03**

(52) **U.S. Cl.**
USPC **D7/624.2; D7/608**

(58) **Field of Classification Search**
USPC D7/509, 523, 603-608, 619.1,
D7/624.1-624.3; D9/500-504, 515, 549,
D9/559, 572-575
CPC A47G 23/0241; A47G 23/0266; A47G
23/2288; B65D 81/3881; B65D 81/3886
See application file for complete search history.

Primary Examiner — Karen S Acker
Assistant Examiner — Omeed Agilee
(74) *Attorney, Agent, or Firm* — Larry A. Roberts

(57) **CLAIM**

The ornamental design for a beverage can holder with retaining ring, as shown and described.

(56) **References Cited**

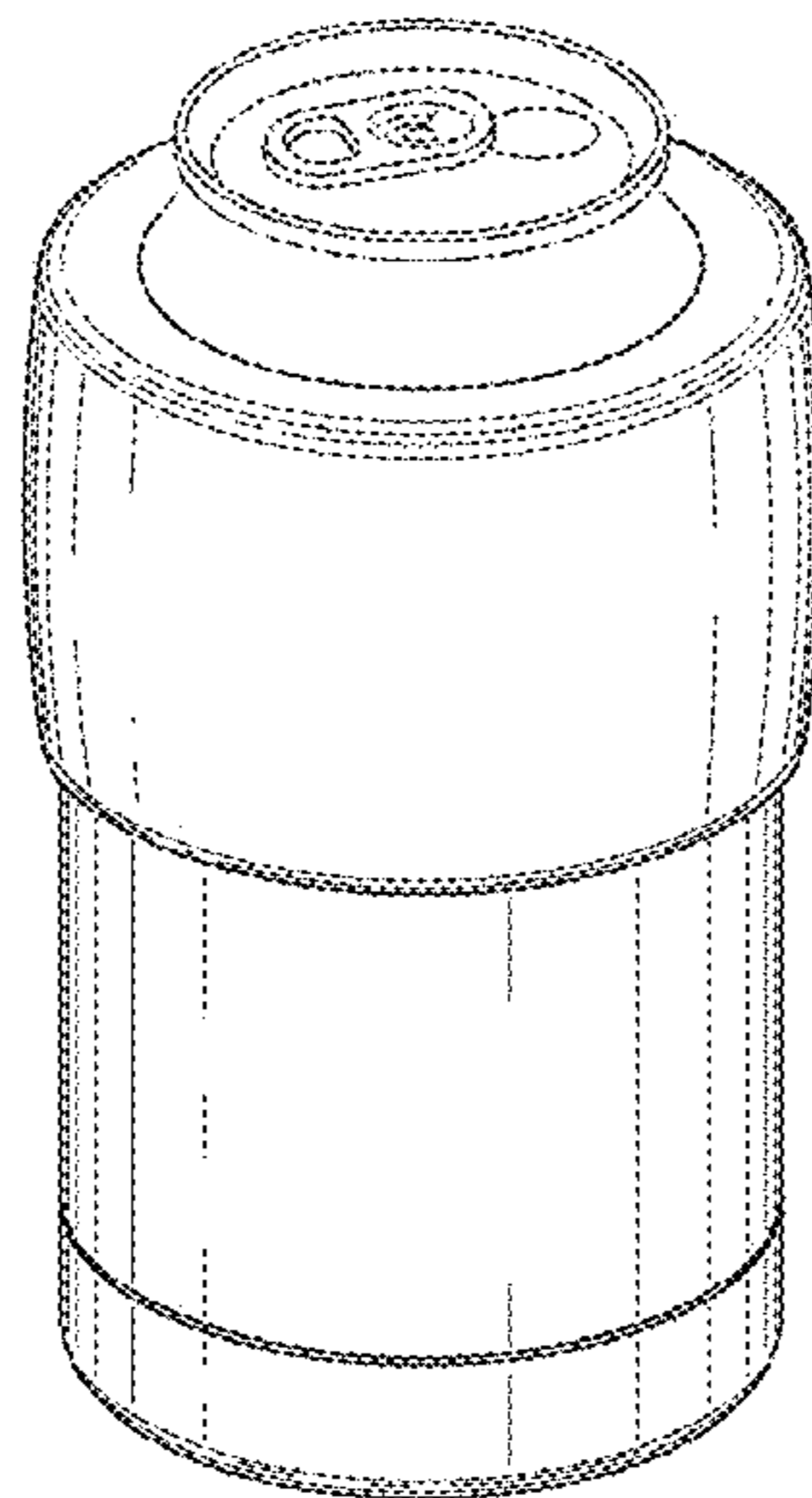
U.S. PATENT DOCUMENTS

D224,797 S * 9/1972 Thrush D7/523
4,163,374 A * 8/1979 Moore B65D 81/3883
220/592.01
4,596,370 A * 6/1986 Adkins B62J 11/00
224/414
4,986,089 A * 1/1991 Raab B65D 81/3883
220/903
D360,806 S * 8/1995 Morris D7/608
D400,763 S * 11/1998 Taylor D7/619.1
D441,614 S * 5/2001 Carroll D7/608
D455,052 S 4/2002 Gullickson et al.
D455,612 S 4/2002 Gullickson et al.
6,626,326 B2 9/2003 Murakami
D493,674 S * 8/2004 Lowe D7/606
D508,374 S * 8/2005 Martin D7/590
D513,939 S * 1/2006 Leonzo D7/624.1
D530,159 S * 10/2006 Brunson D7/624.2
D585,245 S * 1/2009 Brouillette D7/624.2
D616,257 S * 5/2010 Trinkle D7/625

DESCRIPTION

FIG. 1 is an isometric view of a beverage can holder with retaining ring showing my new design, with a can shown in phantom lines to indicate environment;
FIG. 2 is an exploded isometric view thereof;
FIG. 3 is a front view thereof, with a can shown in phantom lines to indicate environment, the back, left side, and right side views being identical to the front view;
FIG. 4 is a top view thereof; and,
FIG. 5 is a bottom view thereof.
The broken lines in FIGS. 1, 3, and 4 illustrating a beverage can depict environmental subject matter that forms no part of the claimed design. The broken lines in FIG. 2 depict portions of the beverage can holder with retaining ring that form no part of the claimed design.

1 Claim, 4 Drawing Sheets



(56)

References Cited

U.S. PATENT DOCUMENTS

D752,397 S	3/2016	Seiders et al.	
D779,285 S	2/2017	Seiders et al.	
D779,891 S	2/2017	Seiders et al.	
D779,892 S	2/2017	Seiders et al.	
D780,530 S	3/2017	Seiders et al.	
D780,531 S	3/2017	Seiders et al.	
D780,532 S	3/2017	Seiders et al.	
D780,533 S	3/2017	Seiders et al.	
D786,023 S *	5/2017	Polack	D7/619.1
D786,025 S *	5/2017	Seiders	D7/624.2
D807,125 S *	1/2018	Seiders	D7/608
D808,733 S *	1/2018	Spivey	D7/608

OTHER PUBLICATIONS

Thermos Vacuum Insulated Stainless Steel Beverage Can Insulator for 12 Ounce Can. Online, published date Jun. 2, 2015. Retrieved on Mar. 8, 2018 from URL: <https://www.amazon.com/Thermos-Insulated-Stainless-Beverage-Insulator/dp/B00YOIGWLU>.*

* cited by examiner

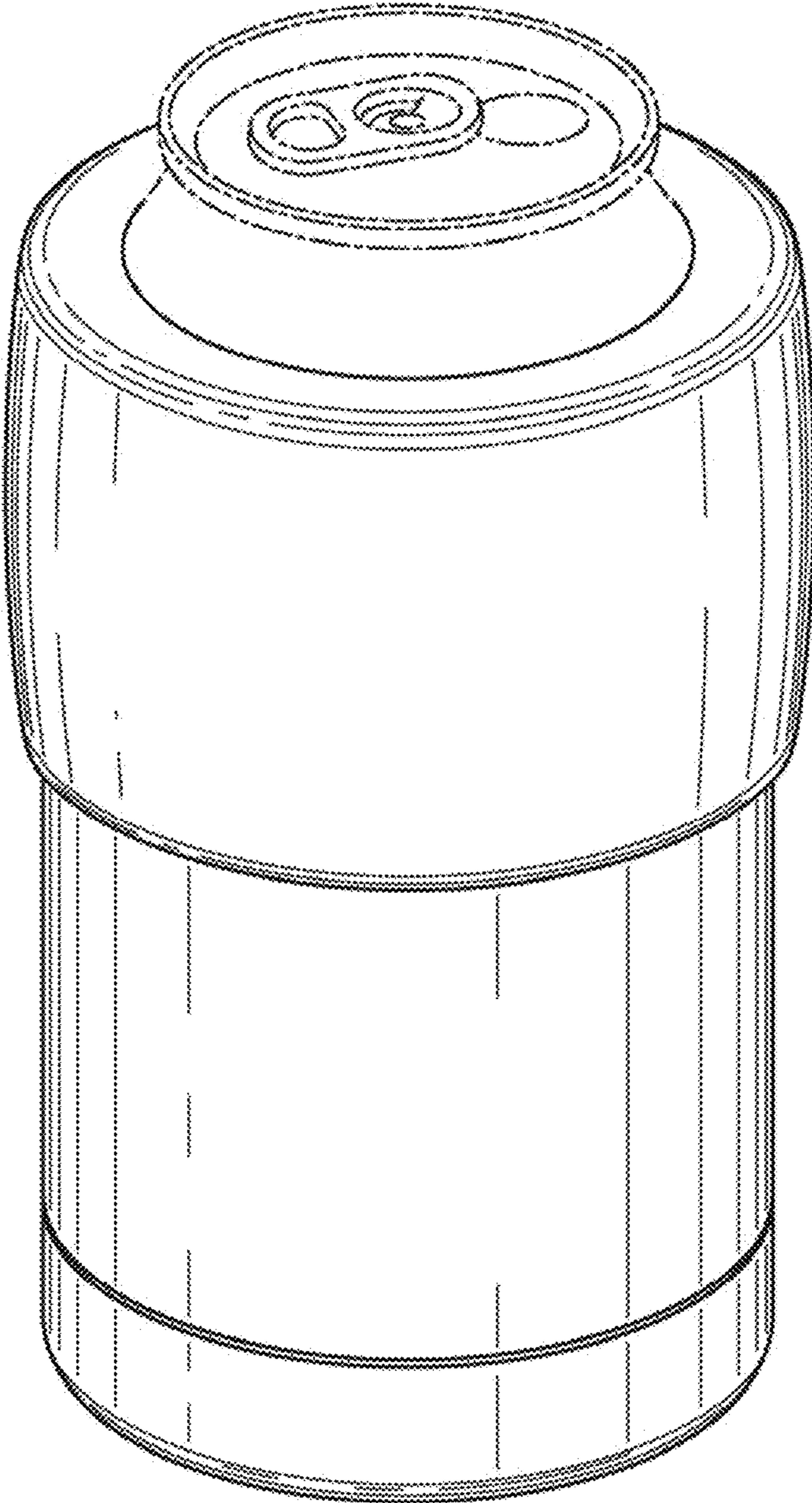


FIG. 1

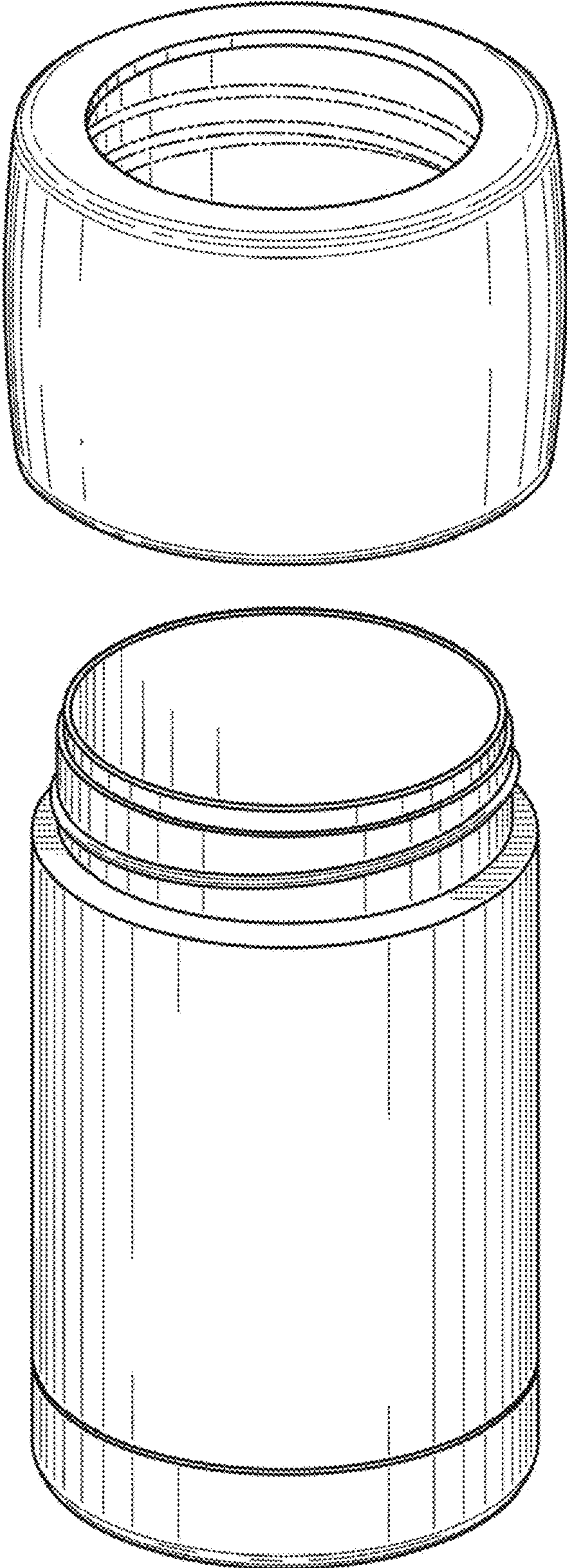


FIG. 2

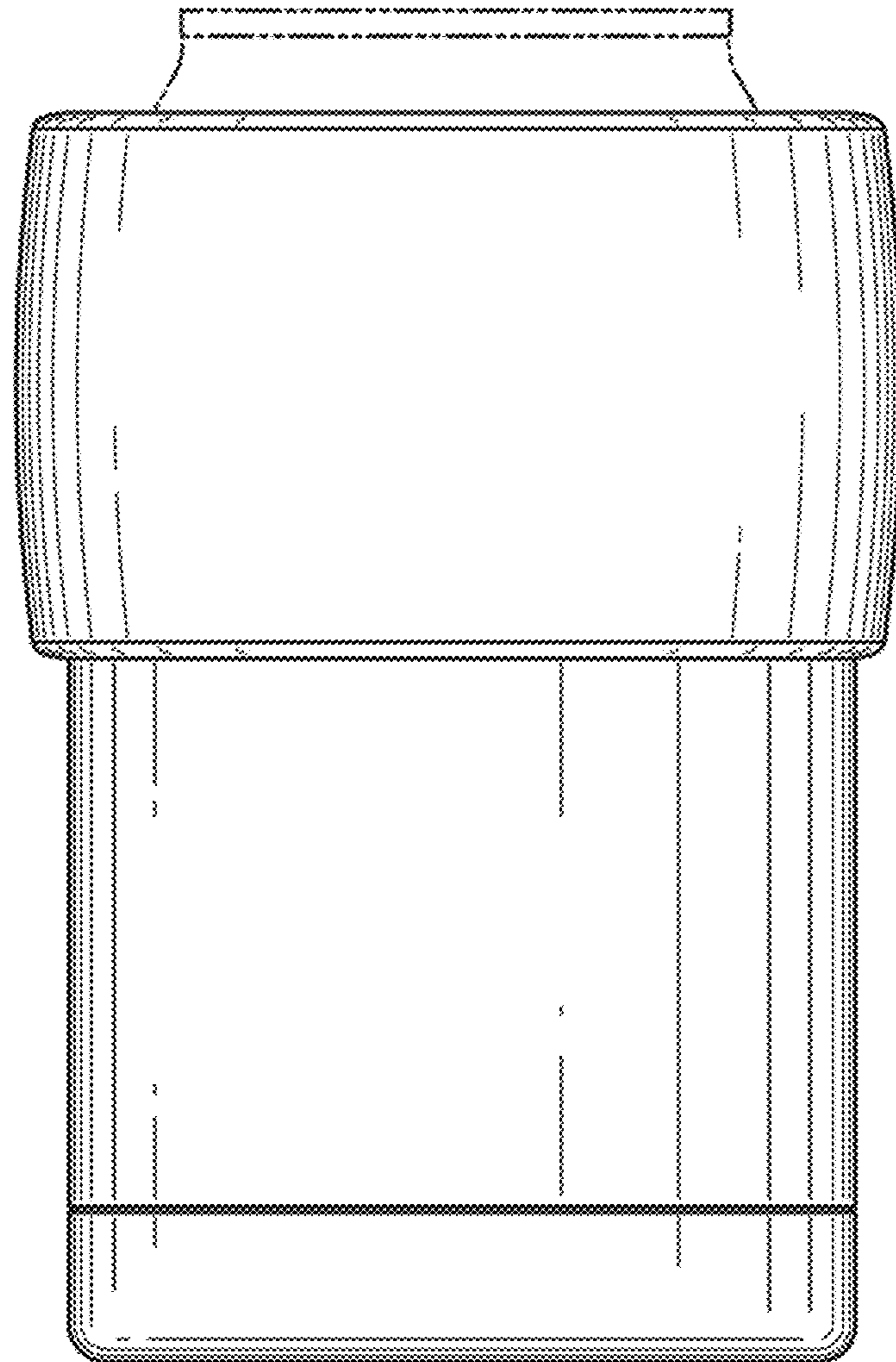


FIG. 3

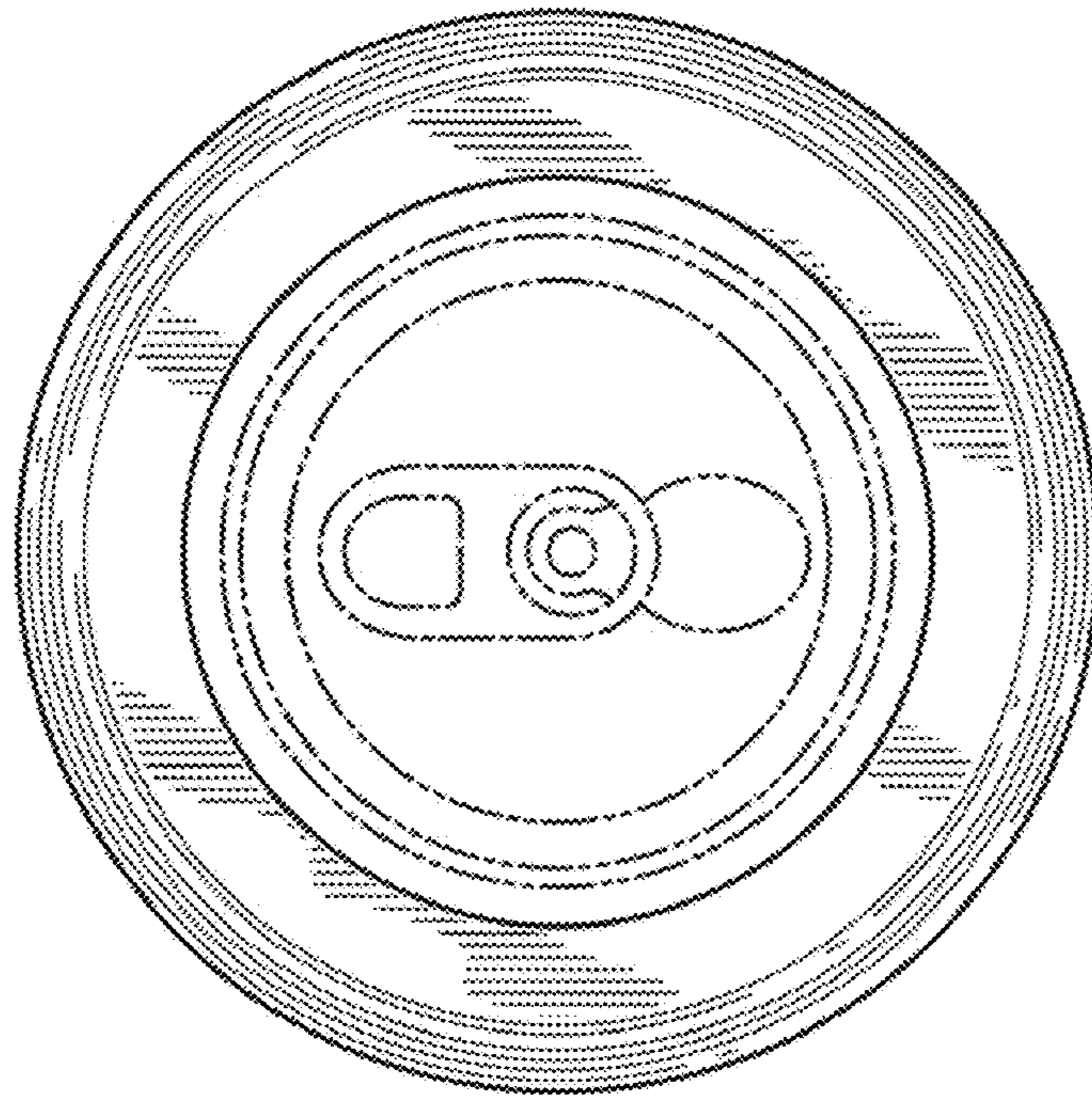


FIG. 4

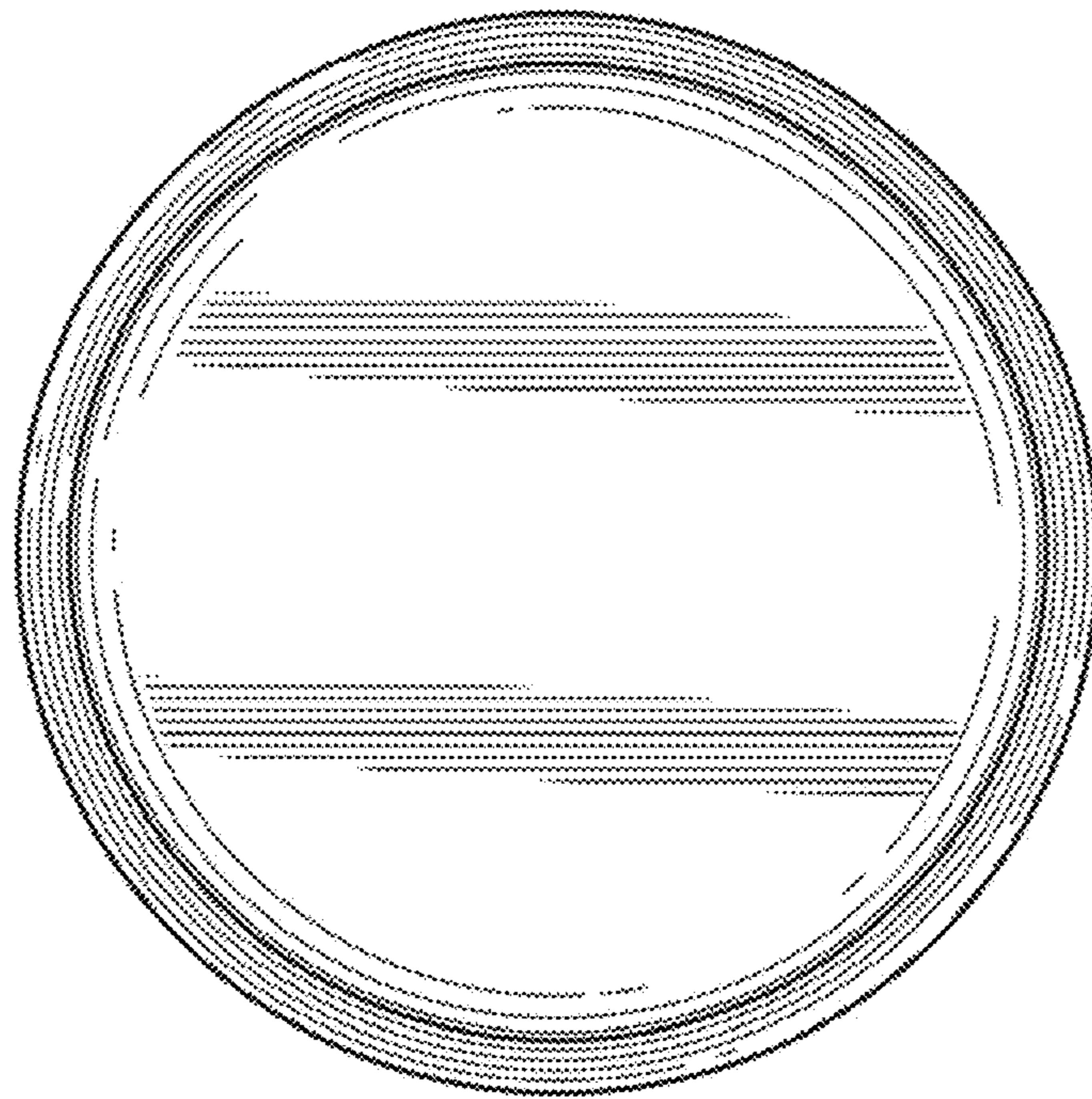


FIG. 5