



US00D836404S

(12) **United States Design Patent** (10) **Patent No.:** **US D836,404 S**
Spivey et al. (45) **Date of Patent:** **** Dec. 25, 2018**

(54) **DRINK COOLER** 6,604,649 B1 * 8/2003 Campi B65D 81/3886
220/592.17
(71) Applicant: **Base Brands, LLC**, Atlanta, GA (US) D572,082 S * 7/2008 Kortleven D7/509
D596,500 S 7/2009 Diss
(72) Inventors: **Patrick Spivey**, Atlanta, GA (US); D698,244 S 1/2014 Lin
Kenneth Kreaflle, Atlanta, GA (US) D699,516 S 2/2014 Kim
D714,644 S 10/2014 Wagner
D724,894 S 3/2015 Brosius
(73) Assignee: **Base Brands, LLC**, Atlanta, GA (US) D753,442 S 4/2016 Weernink
D774,826 S 12/2016 Boroski
D776,564 S 1/2017 Seth-Andersson
D787,939 S 5/2017 Lam

(**) Term: **15 Years**

(21) Appl. No.: **29/619,995**

(22) Filed: **Oct. 3, 2017**

(Continued)
Primary Examiner — Terry A Wallace
(74) *Attorney, Agent, or Firm* — Park, Vaughan, Fleming & Dowler LLP

Related U.S. Application Data

(63) Continuation of application No. 29/558,809, filed on Mar. 22, 2016, now Pat. No. Des. 808,733.

(51) **LOC (11) Cl.** **07-01**

(52) **U.S. Cl.**

USPC **D7/608**

(58) **Field of Classification Search**

USPC D7/603–608, 619.1–625
CPC A47G 23/0216; A47G 23/0266; A47G 23/0241; B65D 51/18; B65D 23/08; B65D 81/3865; B65D 81/3867; B65D 81/3869; B65D 81/3872; B65D 81/3816; B65D 81/3834; B65D 81/3874; B65D 81/3876; B65D 81/3879; B65D 81/2881; B65D 81/3883; B65D 81/3886; B65D 81/3888; B31D 5/0086; A61J 9/08; F25D 3/08; F25D 3/14; F25D 31/007; A45C 11/20

See application file for complete search history.

(56) **References Cited**

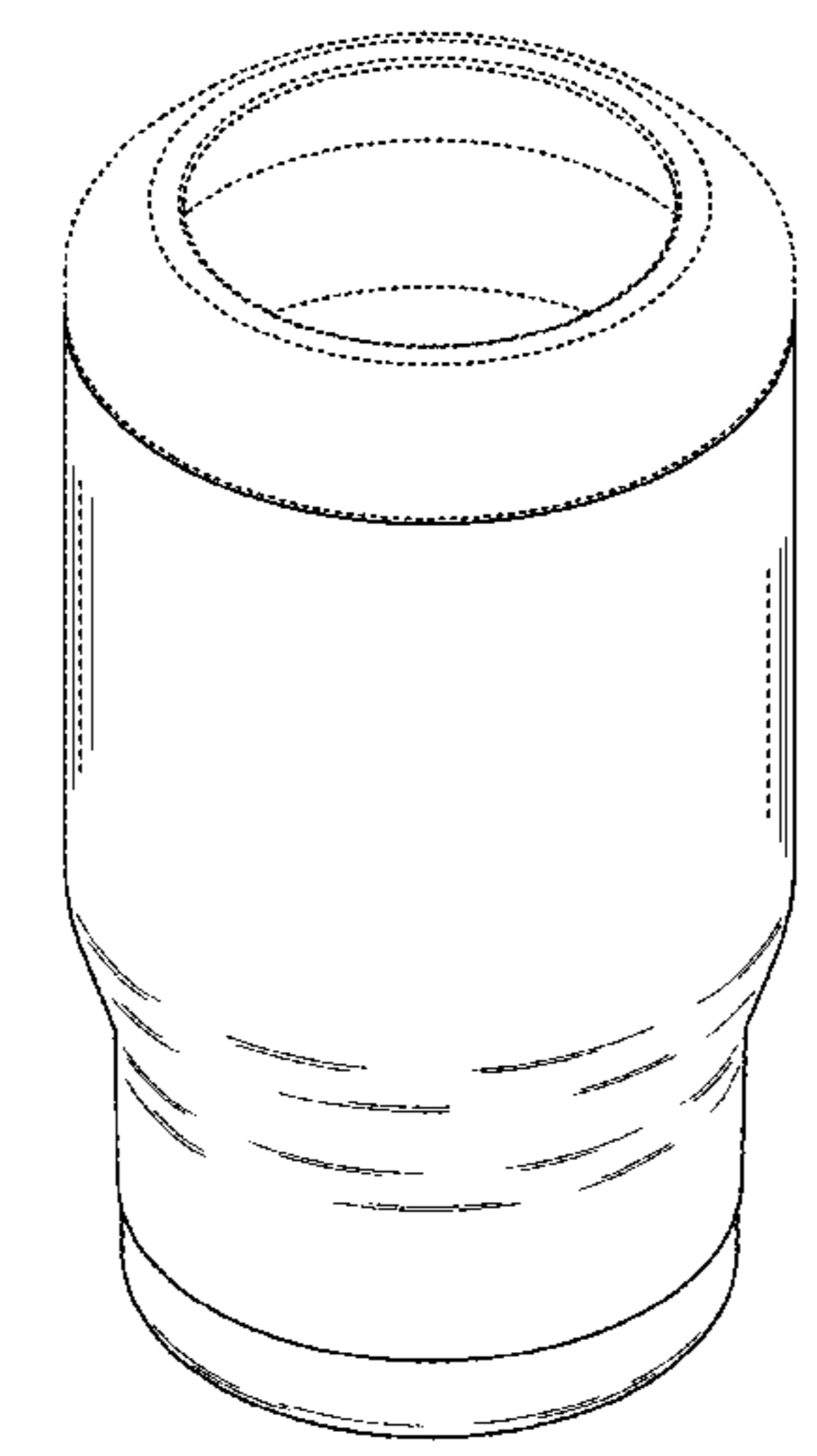
U.S. PATENT DOCUMENTS

D301,821 S * 6/1989 Bartolo D7/608
D416,757 S * 11/1999 Ginuntoli D7/509
D476,857 S * 7/2003 Holsinger D7/523

(57) **CLAIM**
The ornamental design for a drink cooler, as shown and described.

DESCRIPTION
FIG. 1 is a top perspective view of our design;
FIG. 2 is a top view of our design;
FIG. 3 is a bottom view of our design;
FIG. 4 is a front view of our design;
FIG. 5 is a cross-section view of our design;
FIG. 6 is a front view of our design illustrated with an exploded view;
FIG. 7 is a top perspective view of our design illustrated with an exploded view;
FIG. 8 is a top perspective view of our design;
FIG. 9 is a top view of our design;
FIG. 10 is a bottom view of our design;
FIG. 11 is a front view of our design; and,
FIG. 12 is a cross-section view of our design.
The dashed lines in FIGS. 1-2 and 4-7 represent environmental structure and form no part of the claimed design. All other surface(s) or portion(s) of our design not shown in the figures or otherwise described in the specification form no part of the claimed design.

1 Claim, 6 Drawing Sheets



(56)

References Cited

U.S. PATENT DOCUMENTS

D790,624 S	6/2017	Matsushita
D798,110 S	9/2017	Valenti
D802,365 S	11/2017	Yao
D803,064 S	11/2017	Marina

* cited by examiner

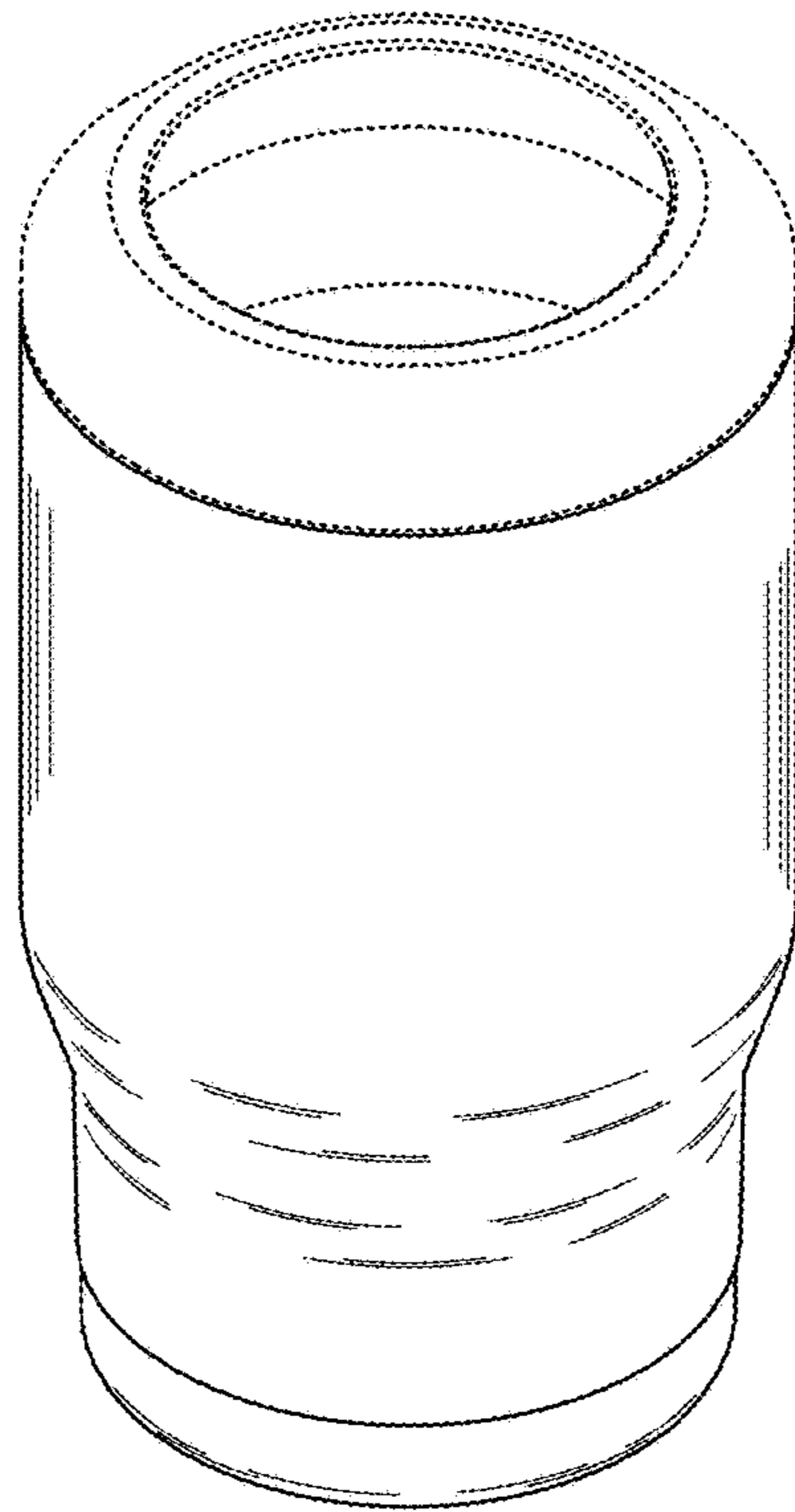


FIG. 1

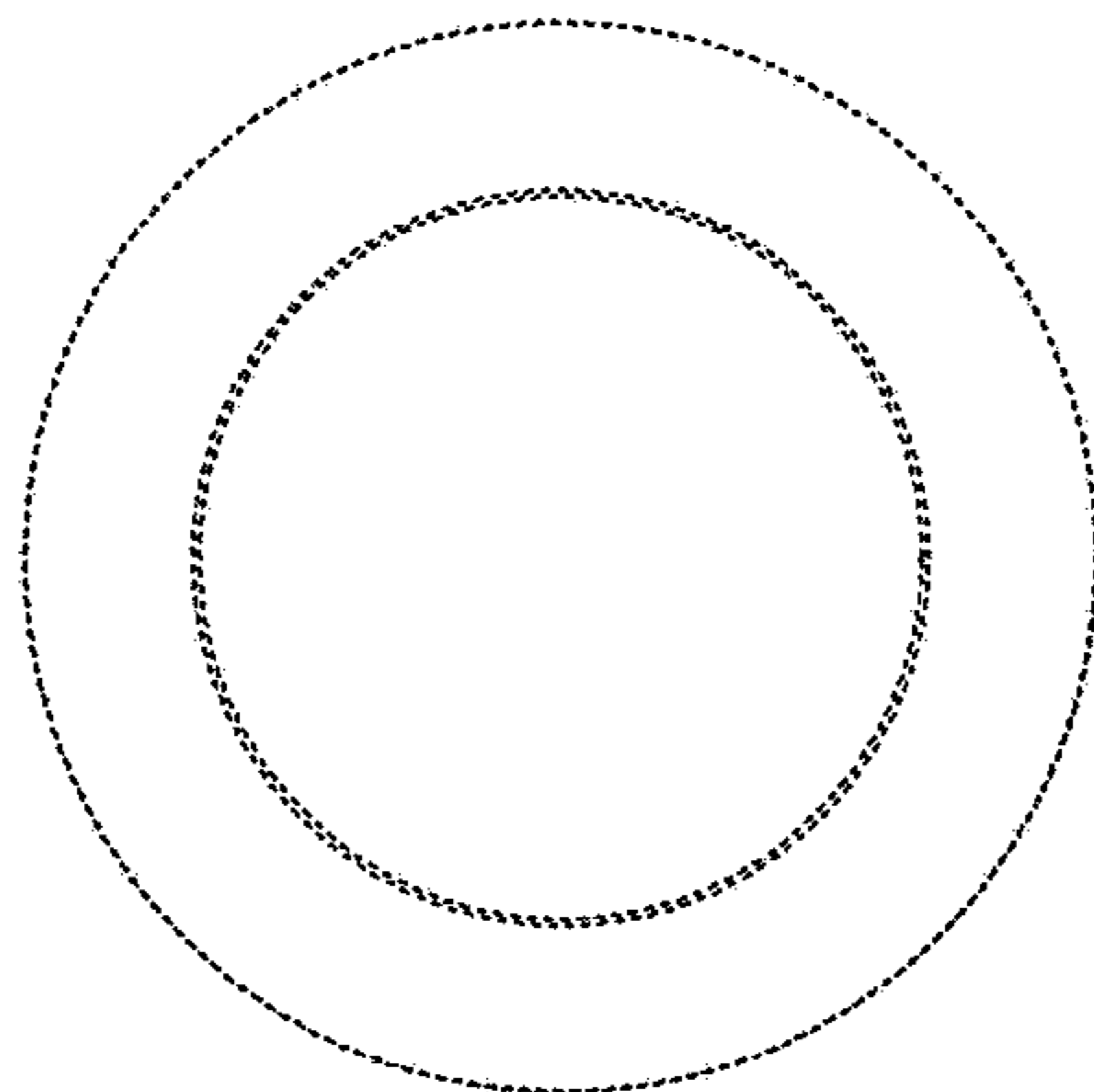


FIG. 2

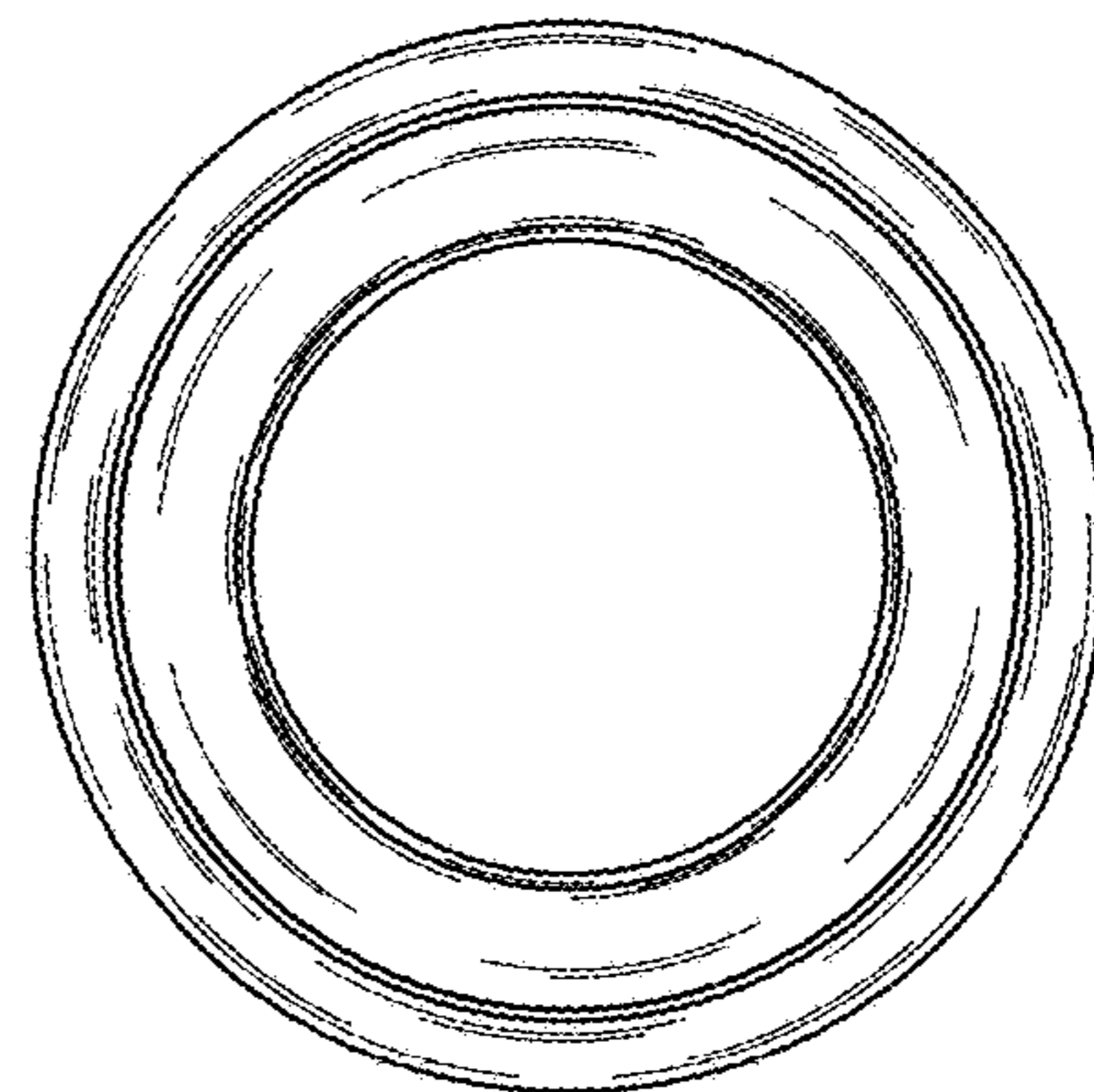
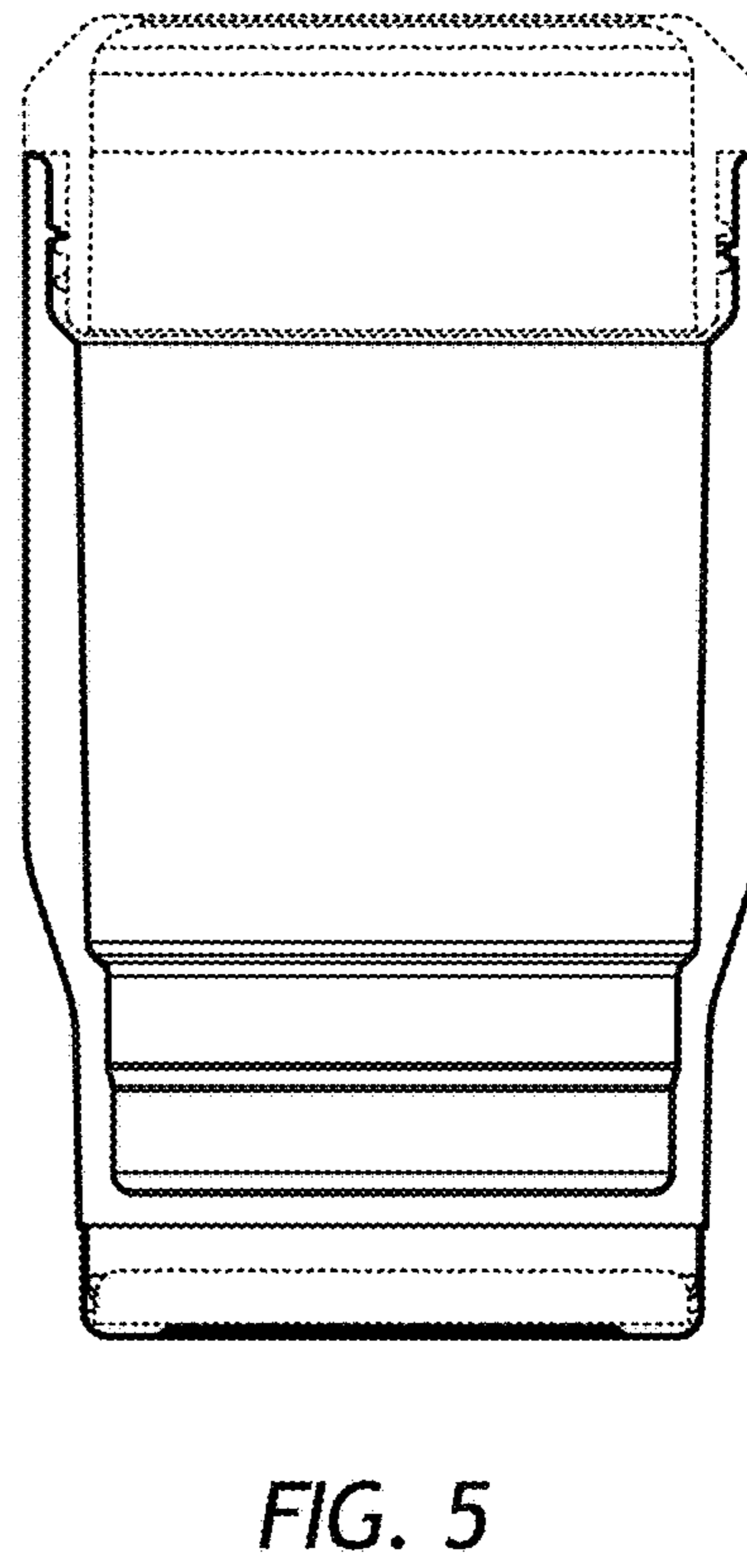
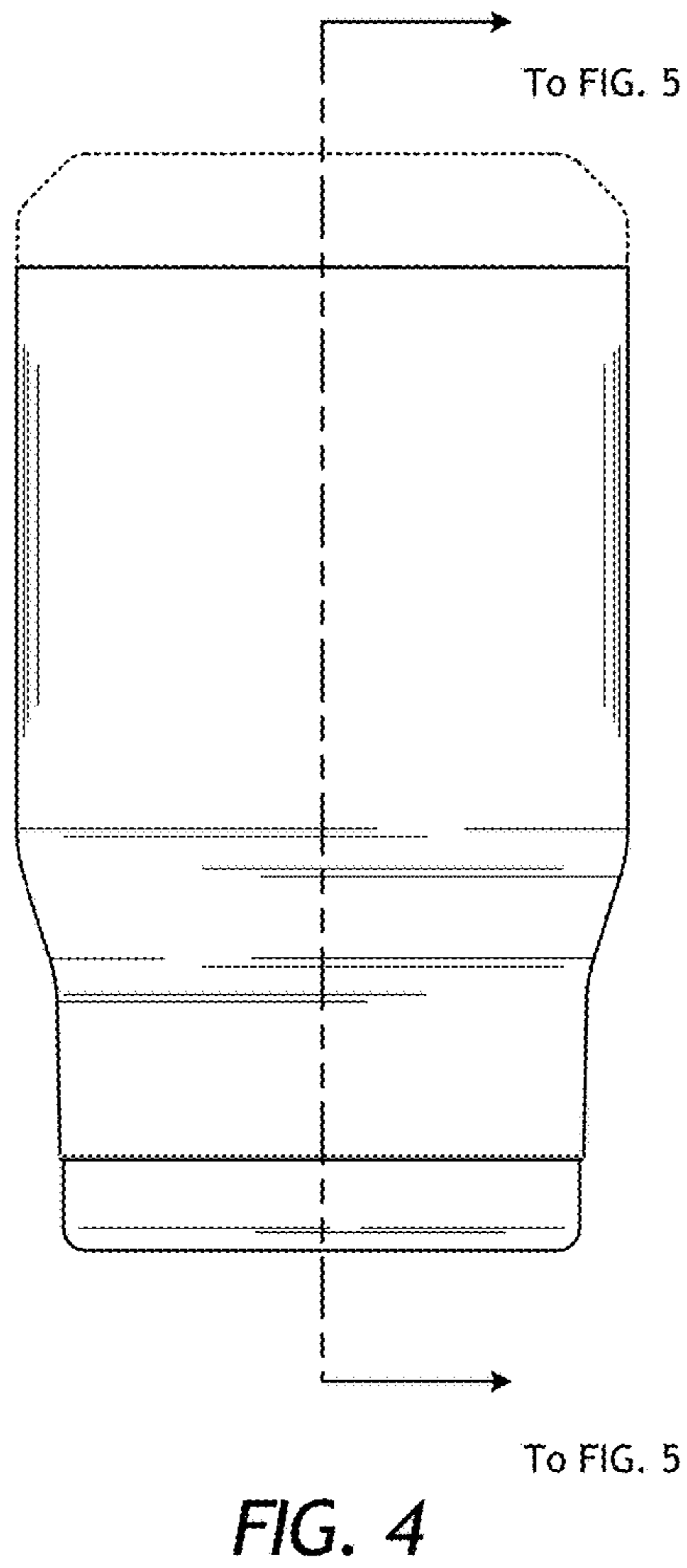


FIG. 3



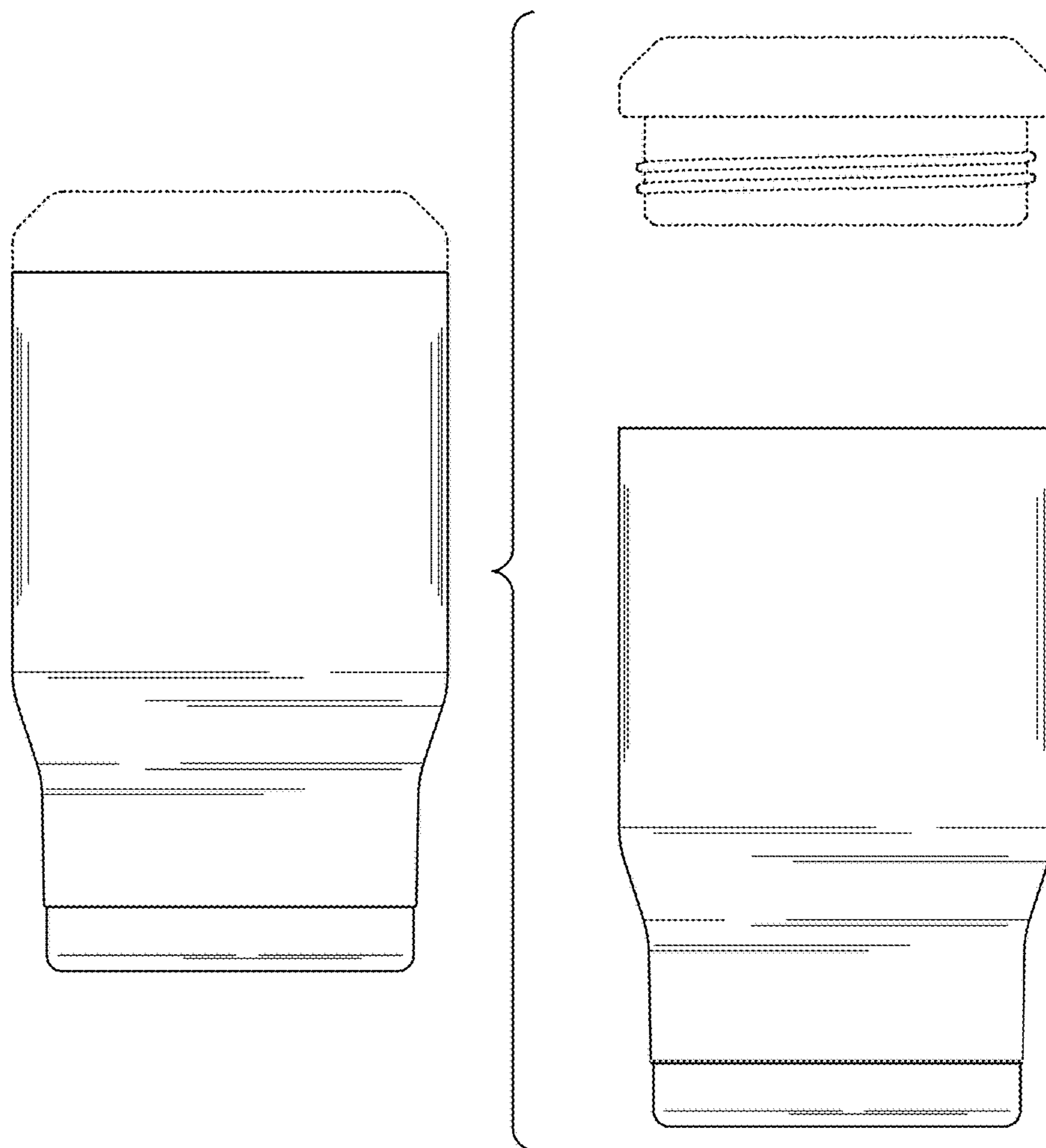


FIG. 6

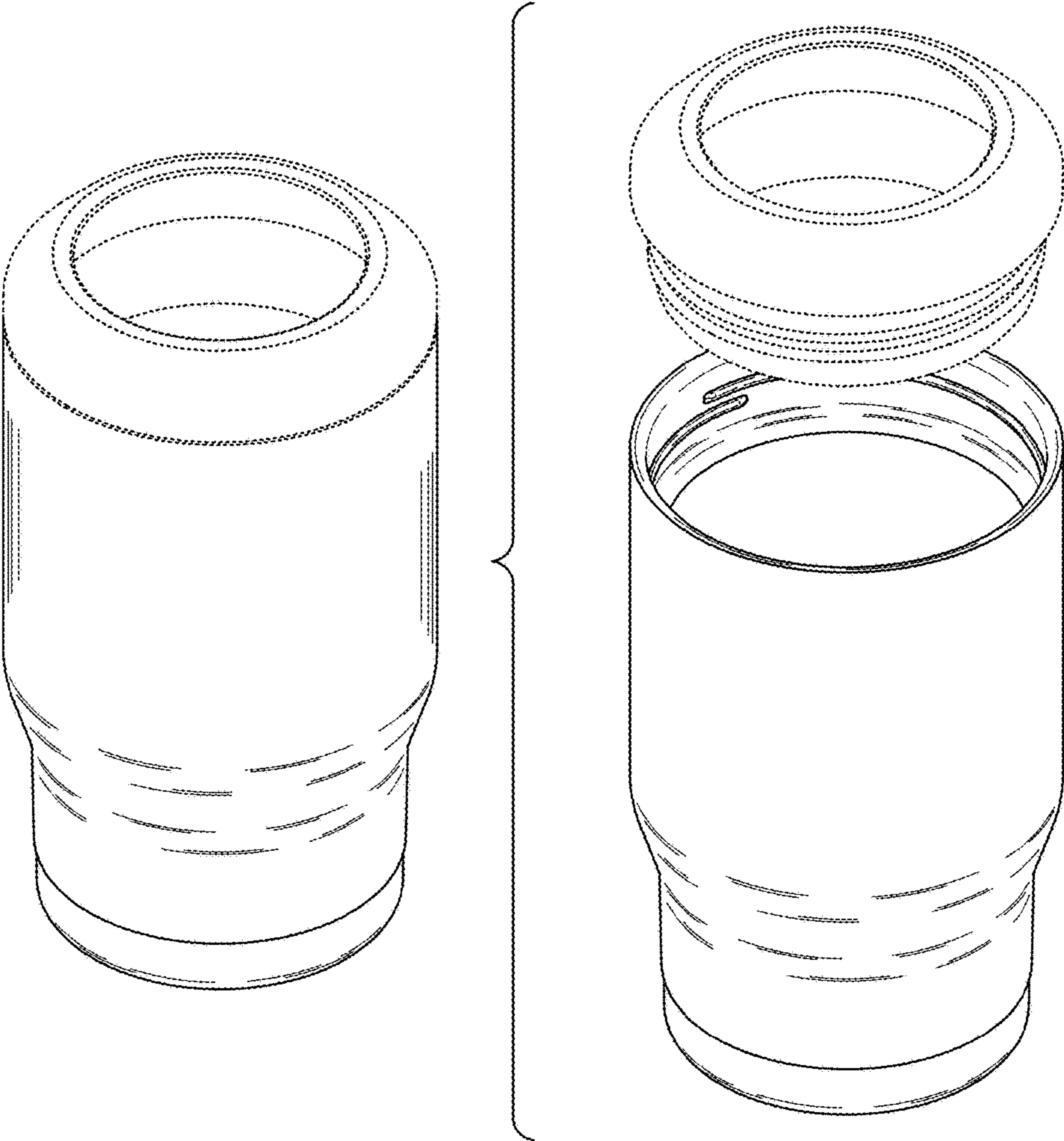


FIG. 7

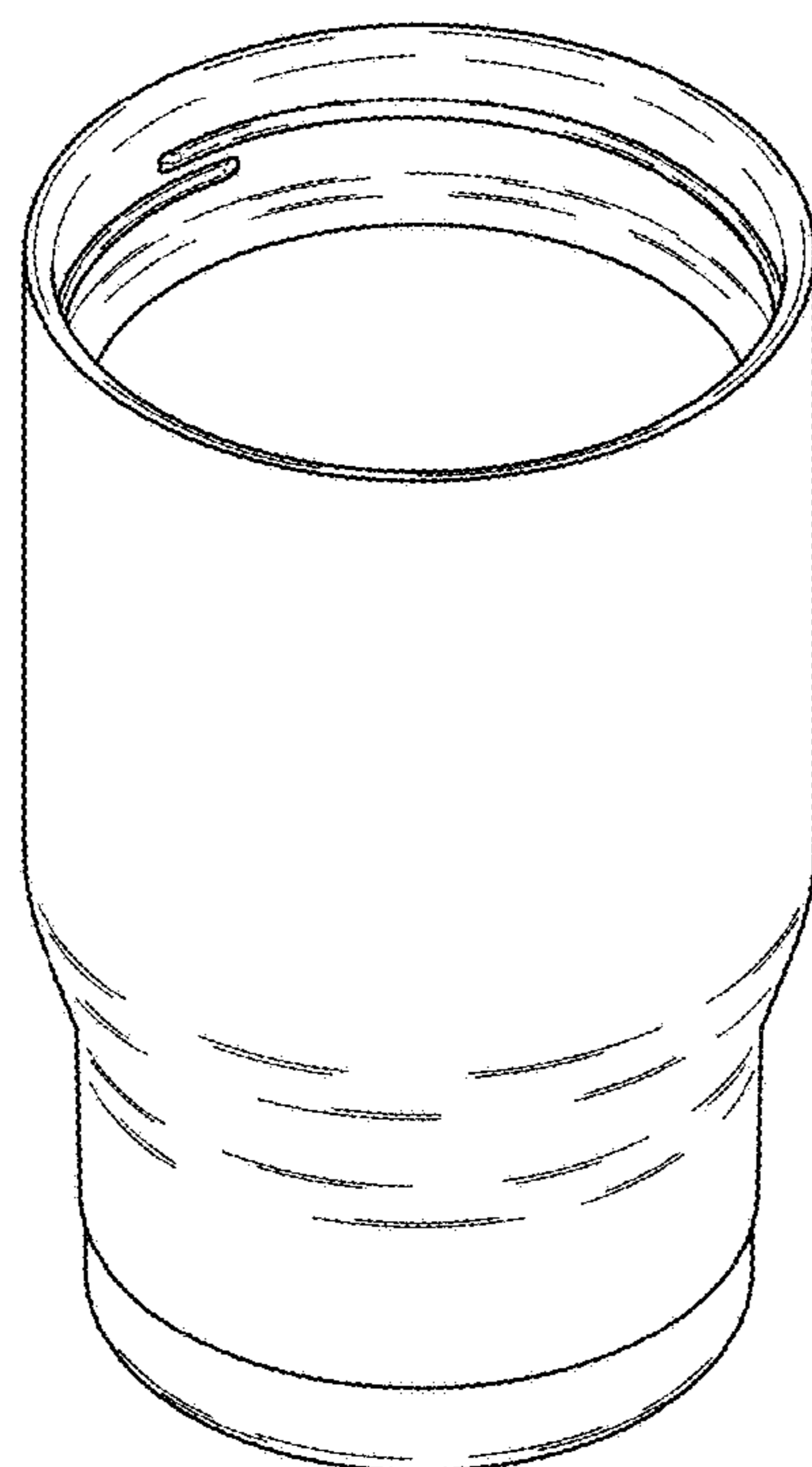


FIG. 8

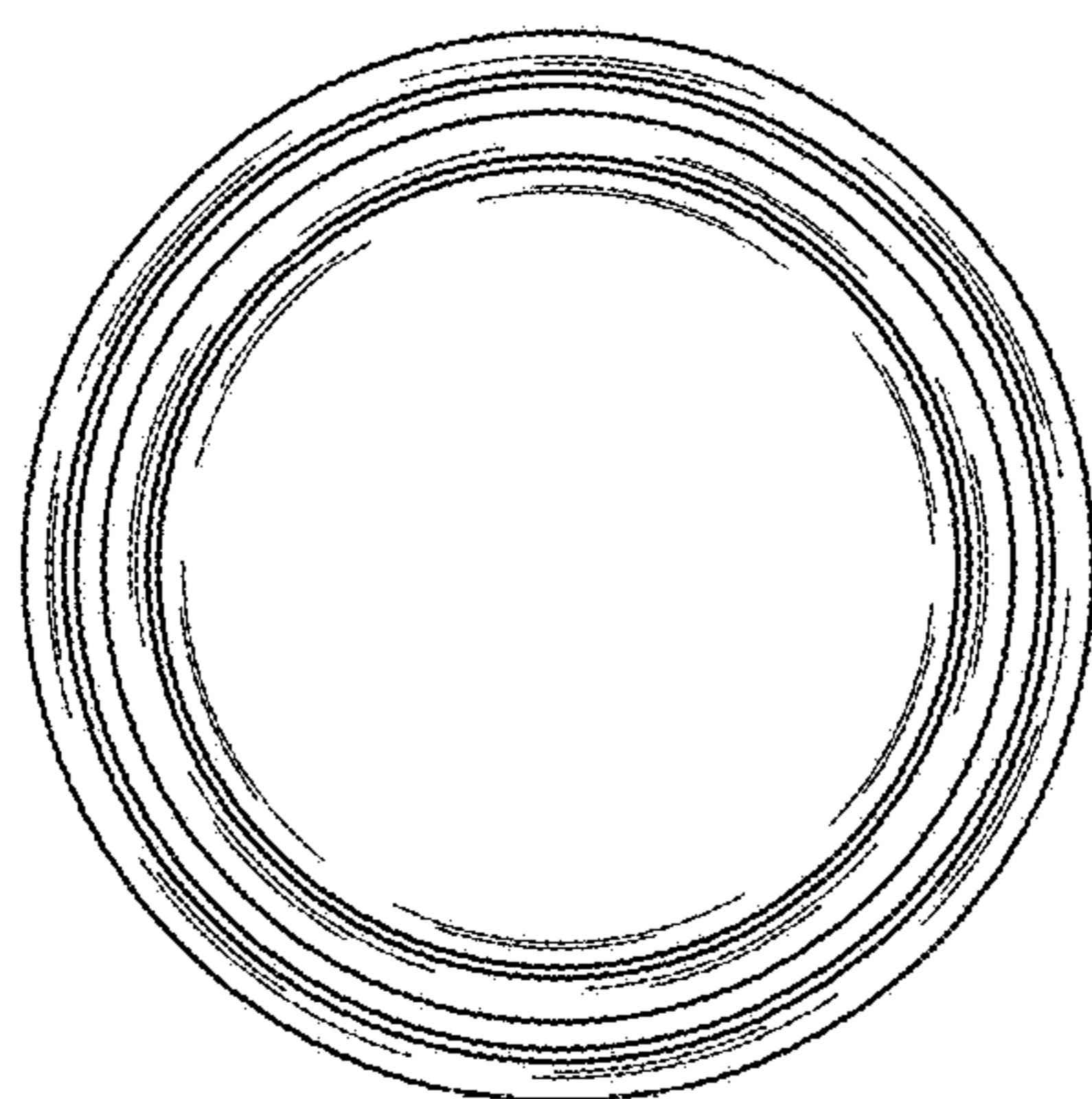


FIG. 9

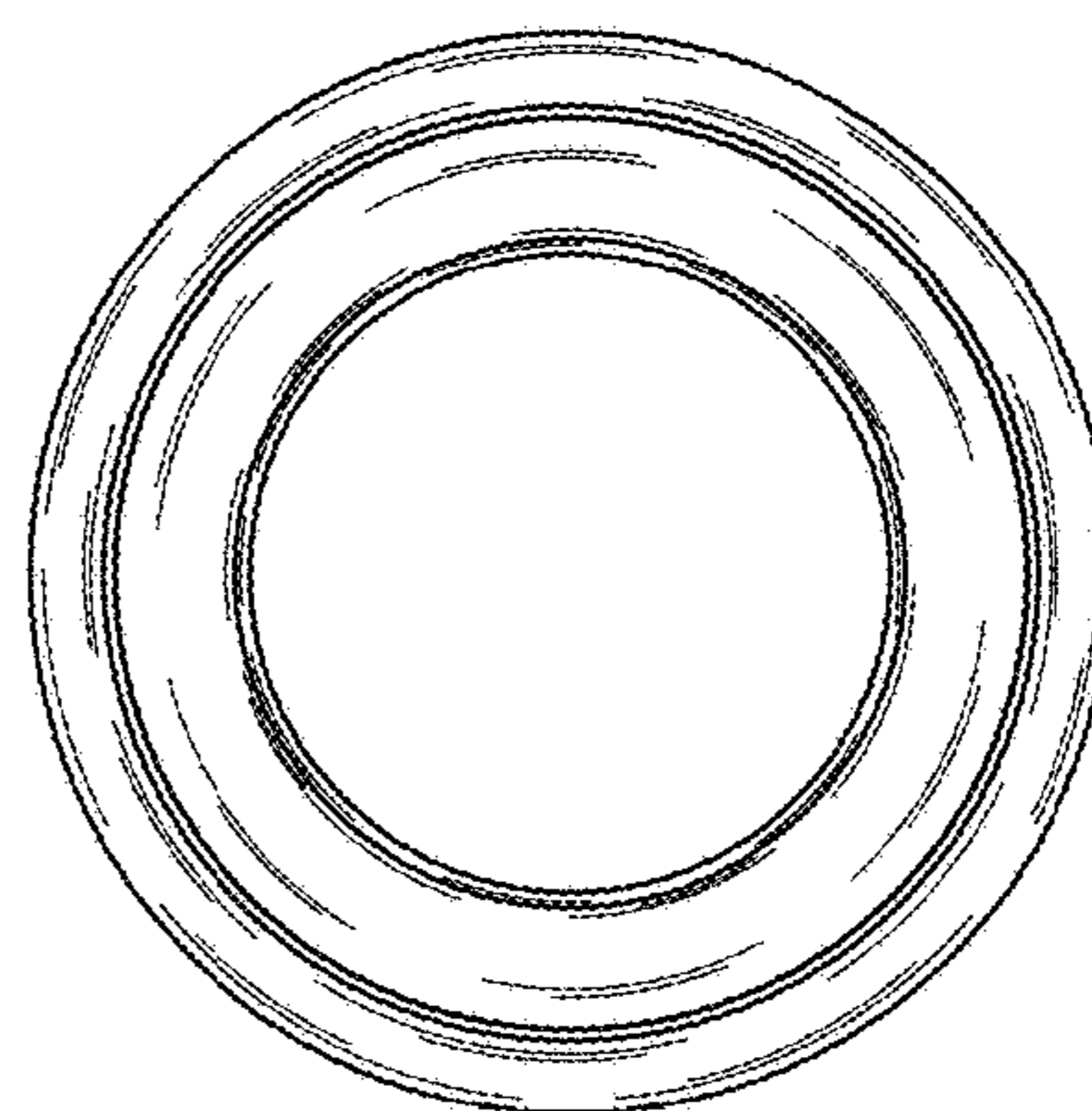


FIG. 10

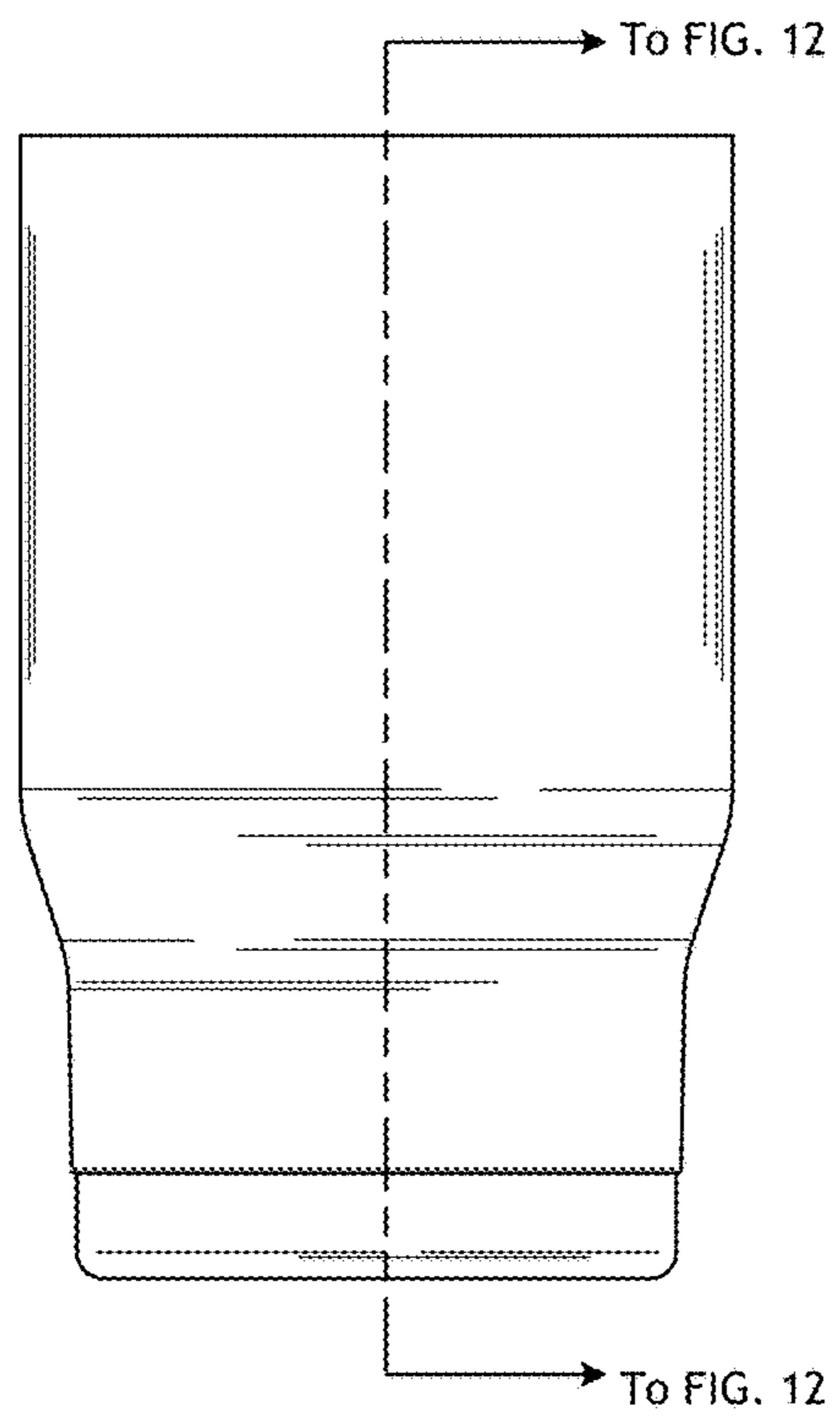


FIG. 11

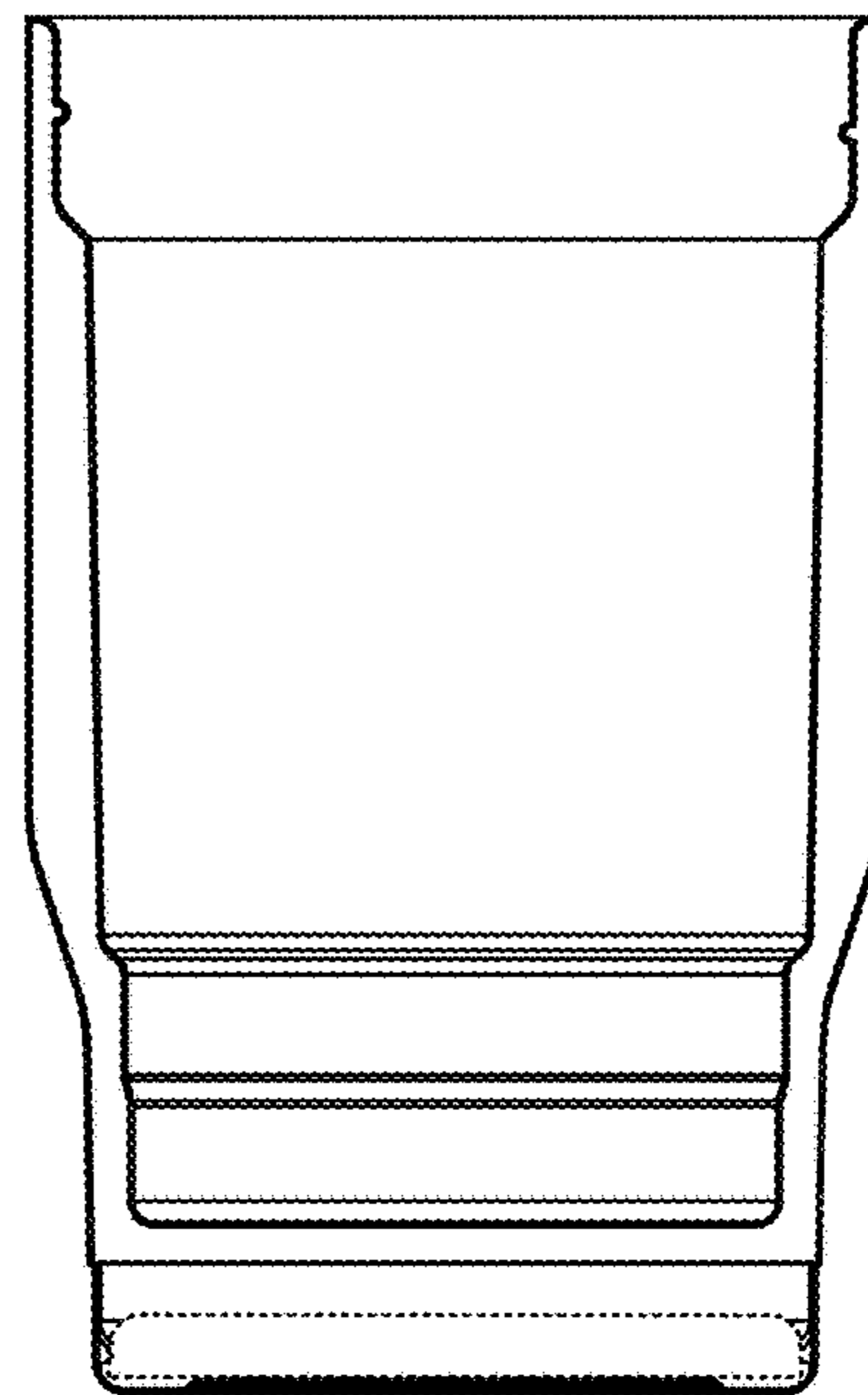


FIG. 12