



US00D836399S

(12) **United States Design Patent** (10) **Patent No.:** **US D836,399 S**
Ko et al. (45) **Date of Patent:** **** Dec. 25, 2018**

(54) **SAUCER** 2,657,559 A * 11/1953 Berg A47G 19/2283
220/23.83
(71) Applicant: **Huskee Tech Pty Ltd**, North Ryde
(AU) D198,701 S * 7/1964 Roehrig 220/23.83
D225,431 S * 12/1972 Gulotta 220/23.83
D326,587 S * 6/1992 Convertini D30/129
5,207,743 A * 5/1993 Costarella A47G 19/065
206/515
(72) Inventors: **Edward Ko**, Redfern (AU); **Andrew Simpson**, Redfern (AU) (Continued)
(73) Assignee: **HUSKEE TECH PTY LTD**, North Ryde, NSW (AU) *Primary Examiner* — Cynthia R Underwood
(74) *Attorney, Agent, or Firm* — Joseph G. Chu; JCIP
(**) Term: **15 Years**
(21) Appl. No.: **29/617,891**
(22) Filed: **Sep. 15, 2017**
(30) **Foreign Application Priority Data**
Mar. 17, 2017 (AU) 201711575
May 10, 2017 (CN) 2017 3 0168676
(51) **LOC (11) Cl.** **07-01**
(52) **U.S. Cl.**
USPC **D7/584**
(58) **Field of Classification Search**
USPC D7/570, 566, 588, 584, 565, 560, 587
CPC A47G 19/2205; A47G 2019/122; A47G 19/03
See application file for complete search history.

(56) **References Cited**
U.S. PATENT DOCUMENTS
1,949,285 A * 2/1934 Porter A47G 23/06
108/27
2,151,023 A * 3/1939 Gibson A47G 19/2283
220/23.83
2,210,283 A * 8/1940 Cowan A47G 19/23
206/502
2,427,487 A * 9/1947 Alexander A47G 19/2283
220/23.83

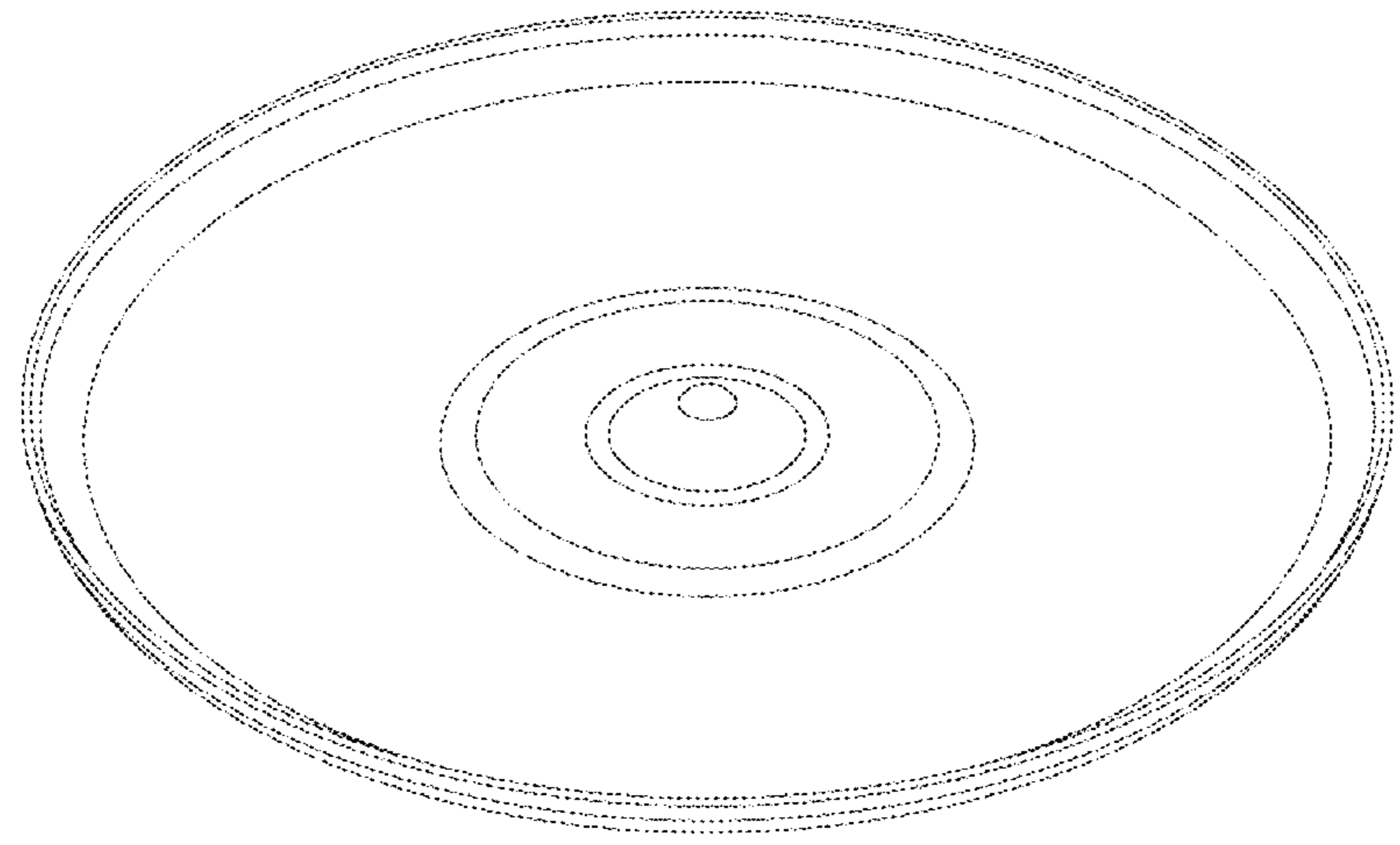
Primary Examiner — Cynthia R Underwood
(74) *Attorney, Agent, or Firm* — Joseph G. Chu; JCIP

(57) **CLAIM**
We claim the ornamental design for the saucer, as shown and described.

DESCRIPTION

FIG. 1 is a top perspective view of a first embodiment of a saucer;
FIG. 2 is a bottom perspective view of the first embodiment of the saucer;
FIG. 3 is a cross-sectional view of the first embodiment of the saucer taken from line 3-3 in FIG. 1;
FIG. 4 is a side view of the first embodiment of the saucer;
FIG. 5 is a top view of the first embodiment of the saucer;
FIG. 6 is a bottom view of the first embodiment of the saucer;
FIG. 7 is a top perspective view of a second embodiment of the saucer;
FIG. 8 is a bottom perspective view of the second embodiment of the saucer;
FIG. 9 is a cross-sectional view of the second embodiment of the saucer taken from line 9-9 in FIG. 11;
FIG. 10 is a side view of the second embodiment of the saucer;
FIG. 11 is a top view of the second embodiment of the saucer; and,
FIG. 12 is a bottom view of the second embodiment of the saucer.

1 Claim, 12 Drawing Sheets



(56)

References Cited

U.S. PATENT DOCUMENTS

5,624,052	A	*	4/1997	Caldi	A47G 19/065
						206/549
D423,292	S	*	4/2000	Horvat	D7/553.6
D469,660	S	*	2/2003	Kortleven	D7/587
D516,867	S	*	3/2006	Martin	D7/586
D526,536	S	*	8/2006	Littlejohn	D7/553.6
D574,180	S	*	8/2008	Broom	D7/357
D595,538	S	*	7/2009	Starck	D7/396.1
D600,076	S	*	9/2009	Haas	D7/586
D608,594	S	*	1/2010	Weber	D7/584
D621,663	S	*	8/2010	Cantwell	D7/505
D640,757	S	*	6/2011	Cheng	D21/451
D646,122	S	*	10/2011	Burns	D7/505
D793,816	S	*	8/2017	Alteslaben	D7/586

* cited by examiner

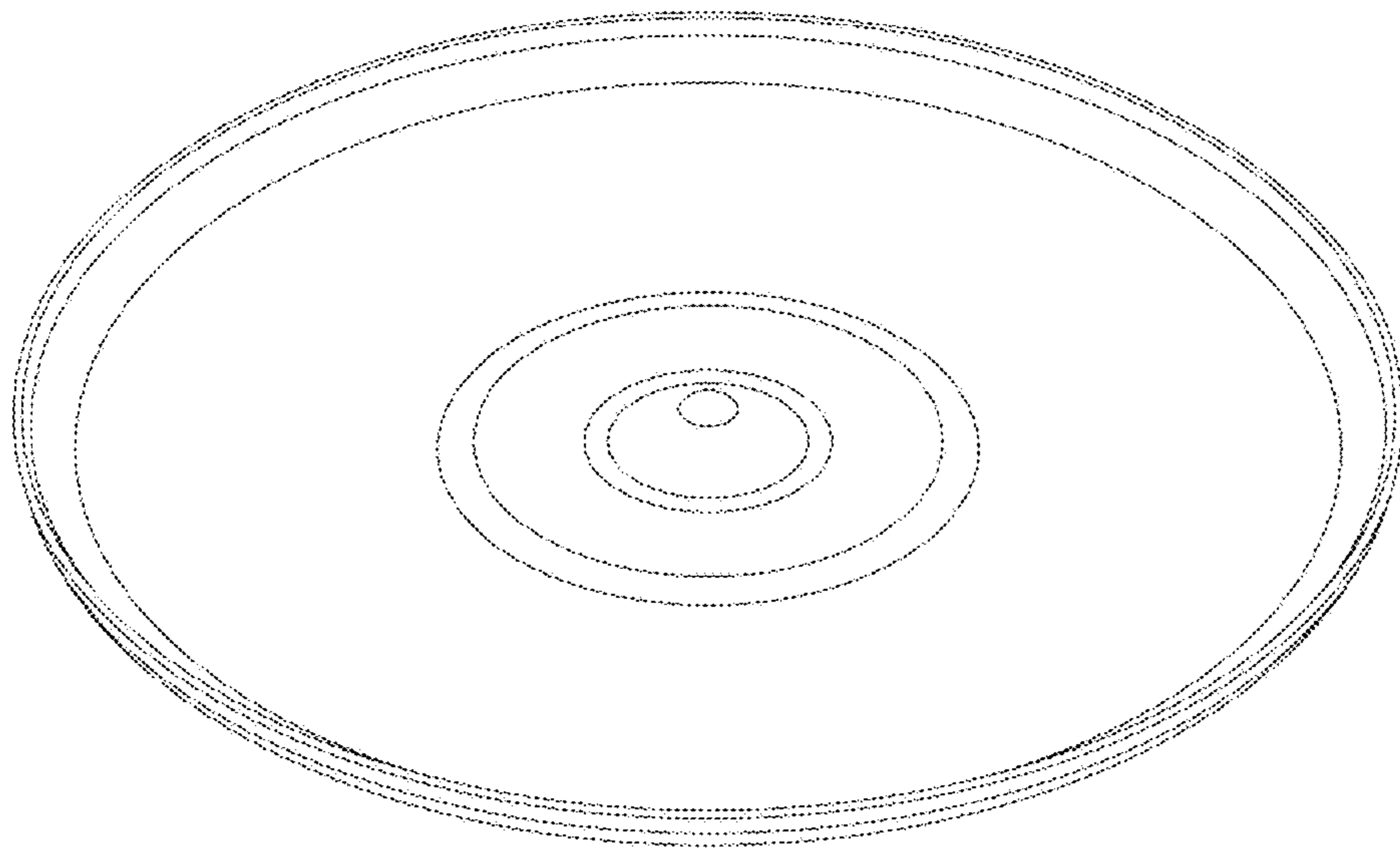


FIG. 1

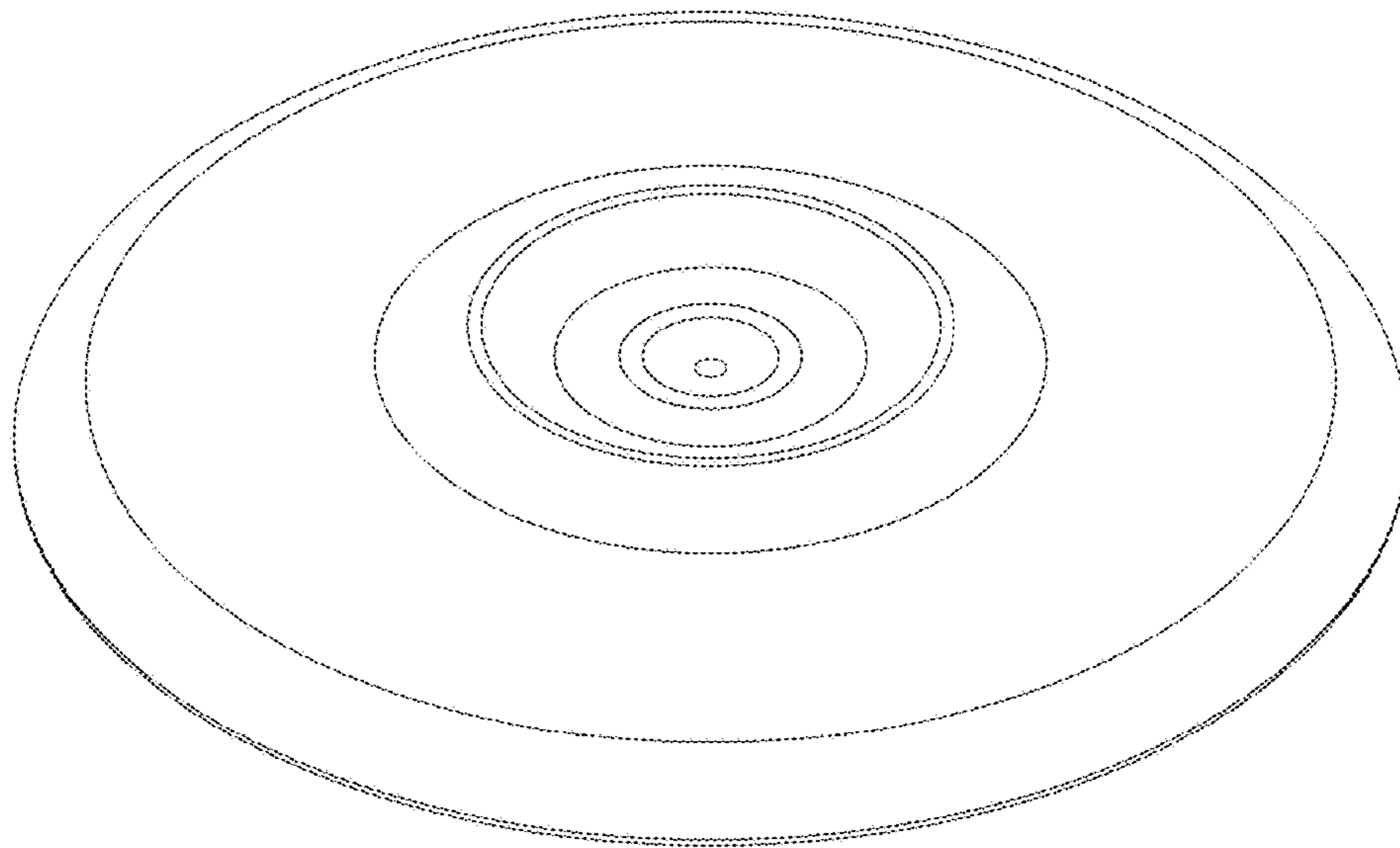


FIG. 2

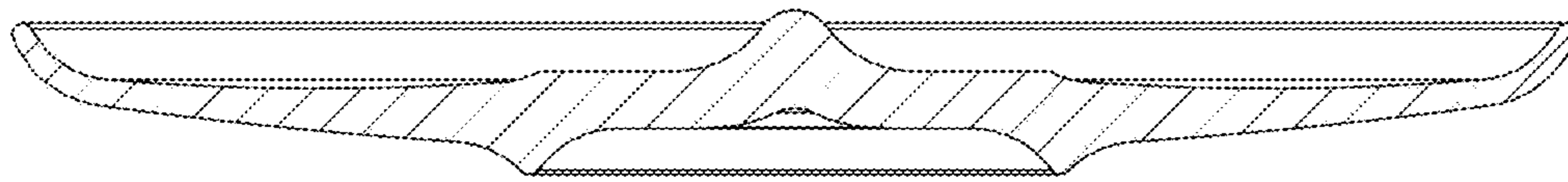


FIG. 3

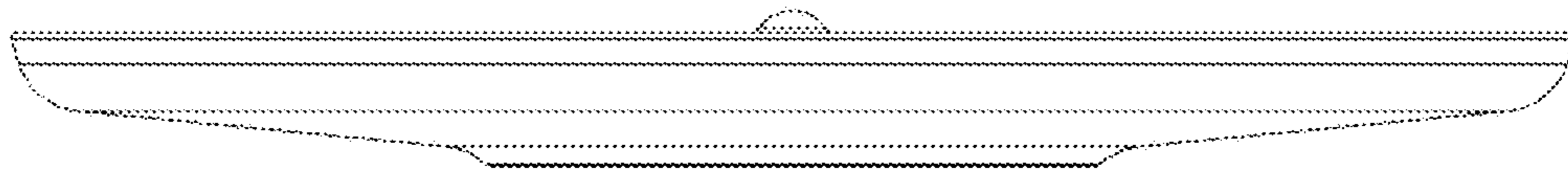


FIG. 4

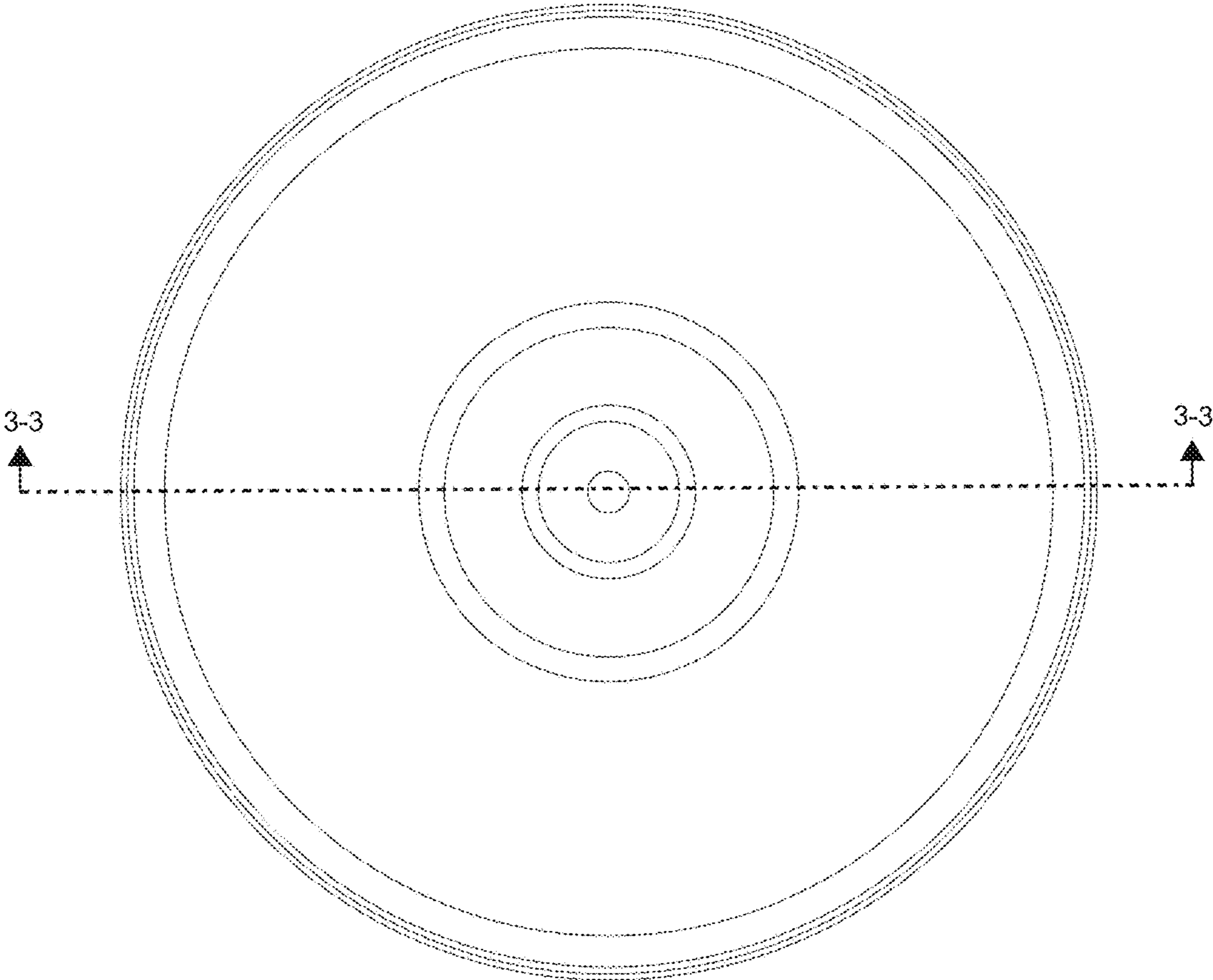


FIG. 5

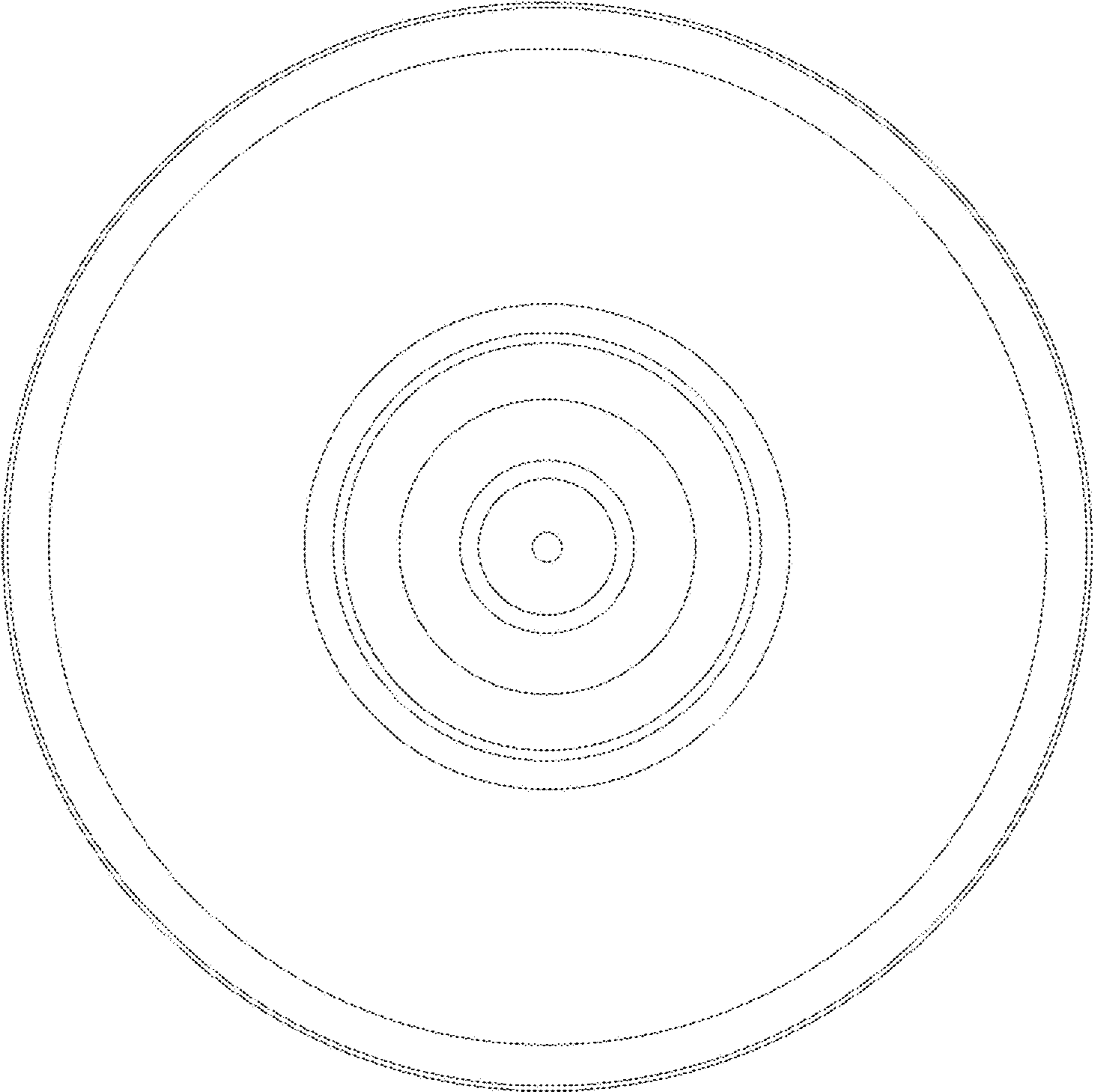


FIG. 6

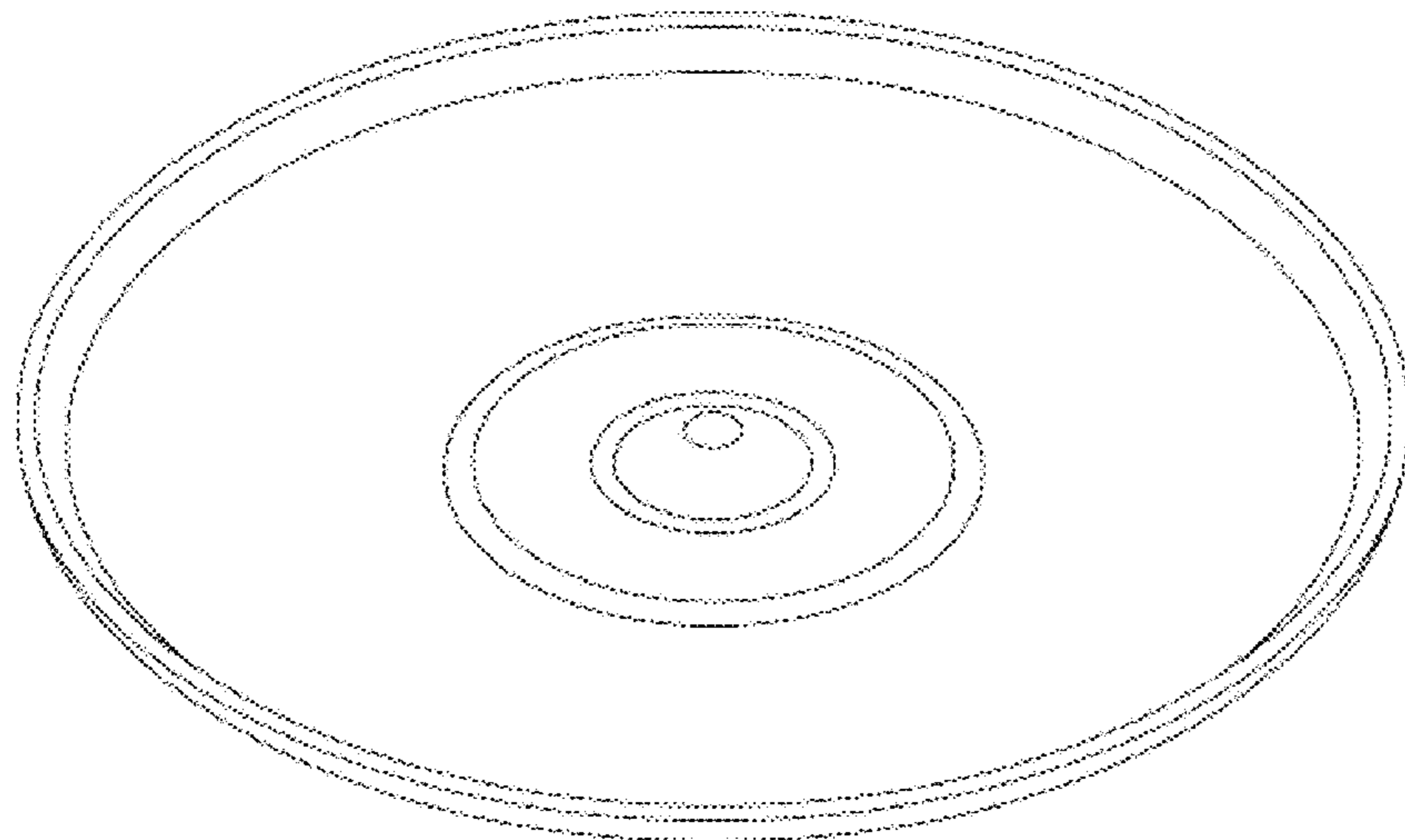


FIG. 7

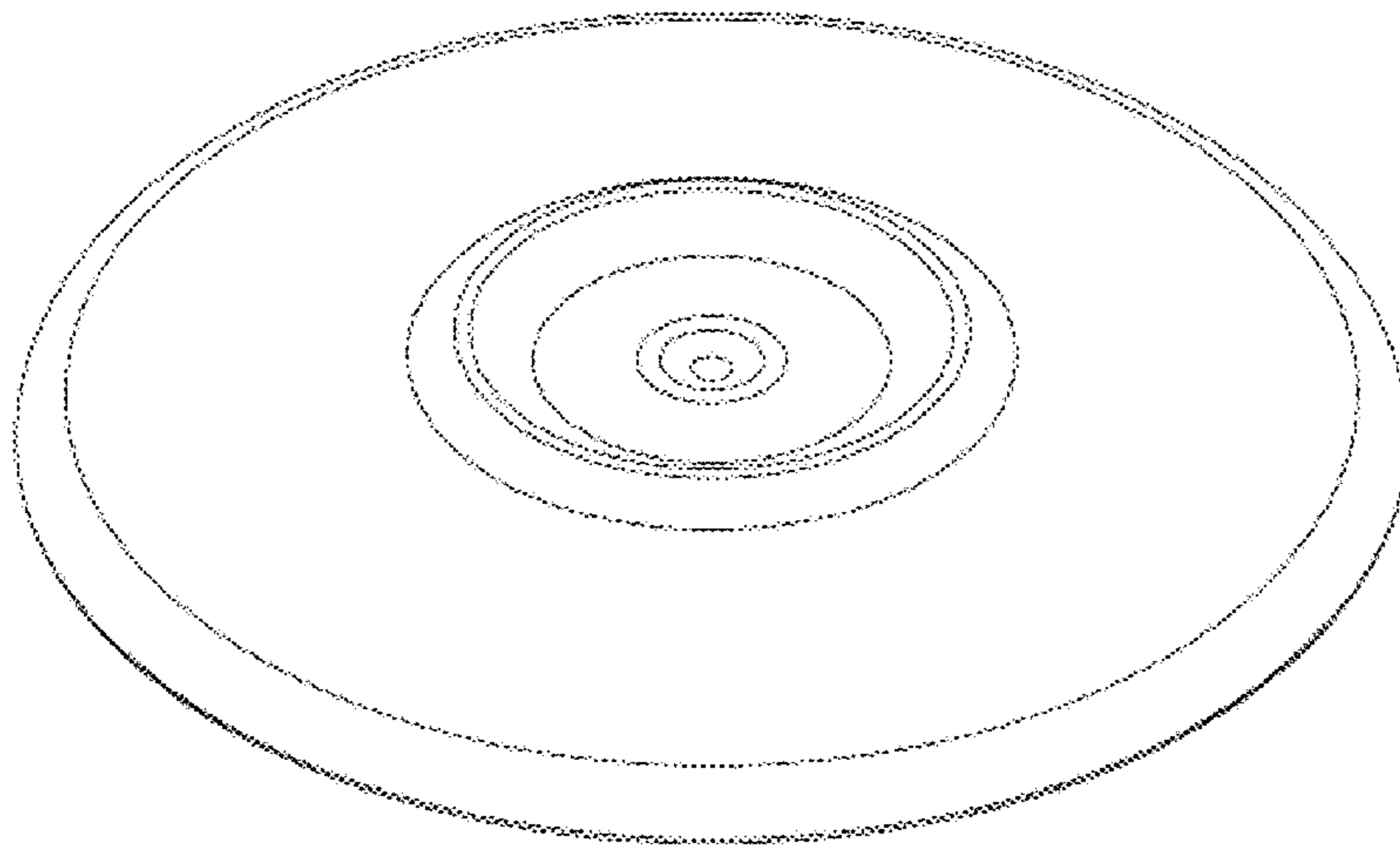


FIG. 8

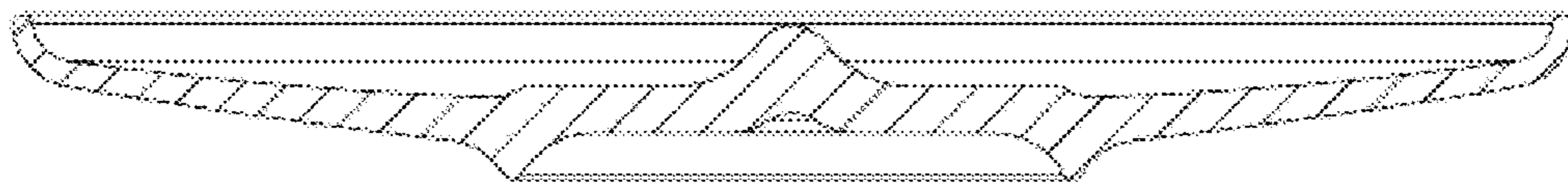


FIG. 9

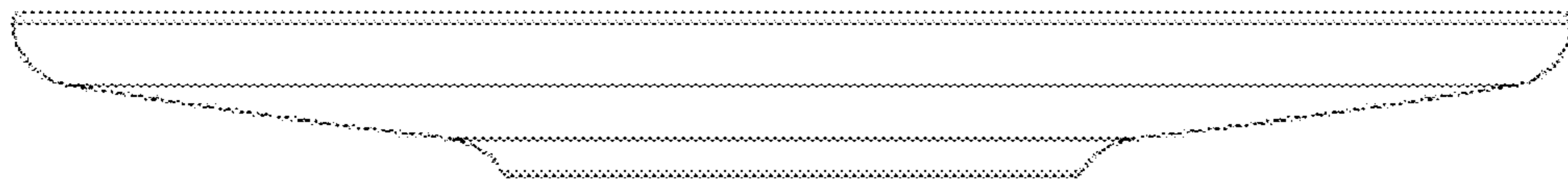


FIG. 10

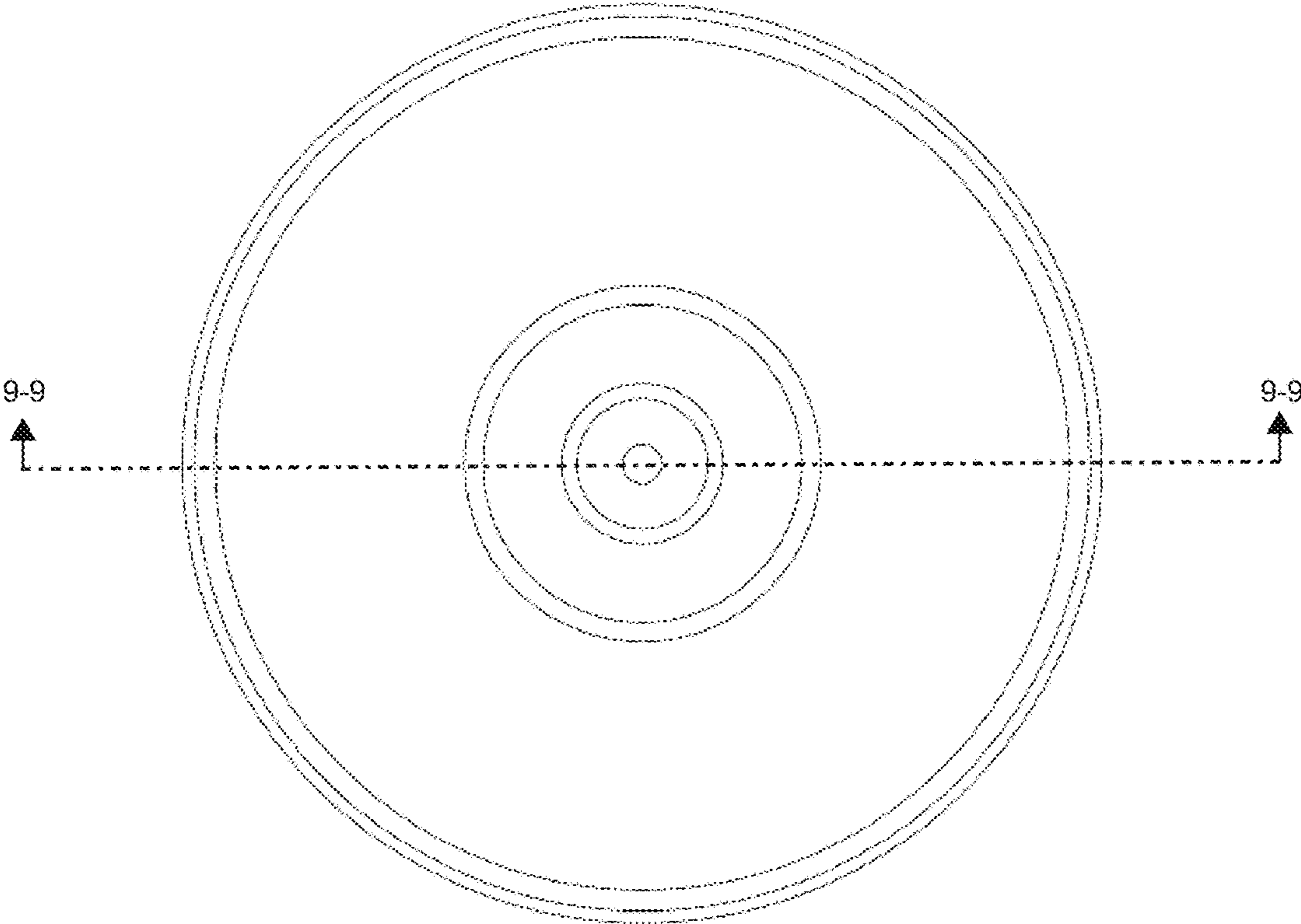


FIG. 11

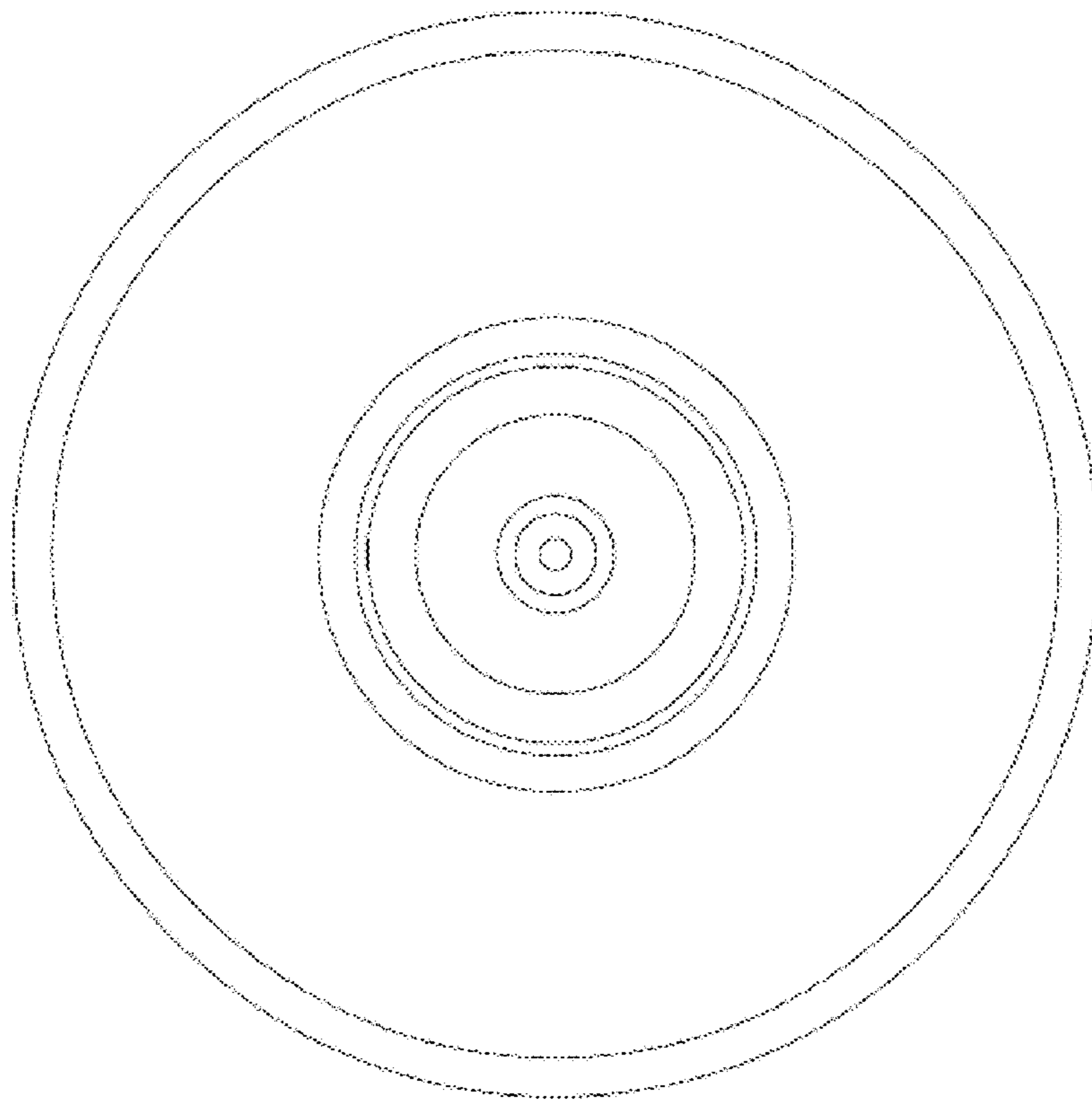


FIG. 12