



US00D836398S

(12) **United States Design Patent** (10) **Patent No.:** **US D836,398 S**
Jones et al. (45) **Date of Patent:** **** Dec. 25, 2018**

(54) **TRIVET**
(71) Applicant: **BASE4 Ventures, LLC**, Carrollton, TX (US)

(72) Inventors: **Autumn Alexis Jones**, Dallas, TX (US); **Joseph Charles Thompson**, Lewisville, TX (US)

(73) Assignee: **BASE4 VENTURES, LLC**, Carrollton, TX (US)

(**) Term: **15 Years**

(21) Appl. No.: **29/620,891**

(22) Filed: **Aug. 11, 2017**

(51) **LOC (11) Cl.** **07-01**

(52) **U.S. Cl.**
USPC **D7/555; D7/553.1**

(58) **Field of Classification Search**
USPC ... D7/388, 396.1, 550.1, 553.1, 553.2, 553.3
CPC A47G 23/06; A47G 23/0608; A47G 23/0633; A47G 19/02
See application file for complete search history.

(56) **References Cited**

U.S. PATENT DOCUMENTS

D343,338 S * 1/1994 Bucher D7/543
6,814,235 B2 * 11/2004 Wang A47G 23/06
206/524.3

D576,449 S * 9/2008 Boudewijns D7/553.1
D652,259 S * 1/2012 Hatcher D7/553.5
8,167,129 B2 * 5/2012 Hatcher A47G 23/06
206/564
D697,402 S * 1/2014 Rosi D7/602
D732,897 S * 6/2015 Clark D7/553.2
D790,926 S 7/2017 Jones
2010/0276478 A1 * 11/2010 Gartz B65D 1/34
229/117.05

* cited by examiner

Primary Examiner — Derrick E Holland

Assistant Examiner — Andrew Kerr

(74) *Attorney, Agent, or Firm* — Jonathan Grant; Grant Patent Services

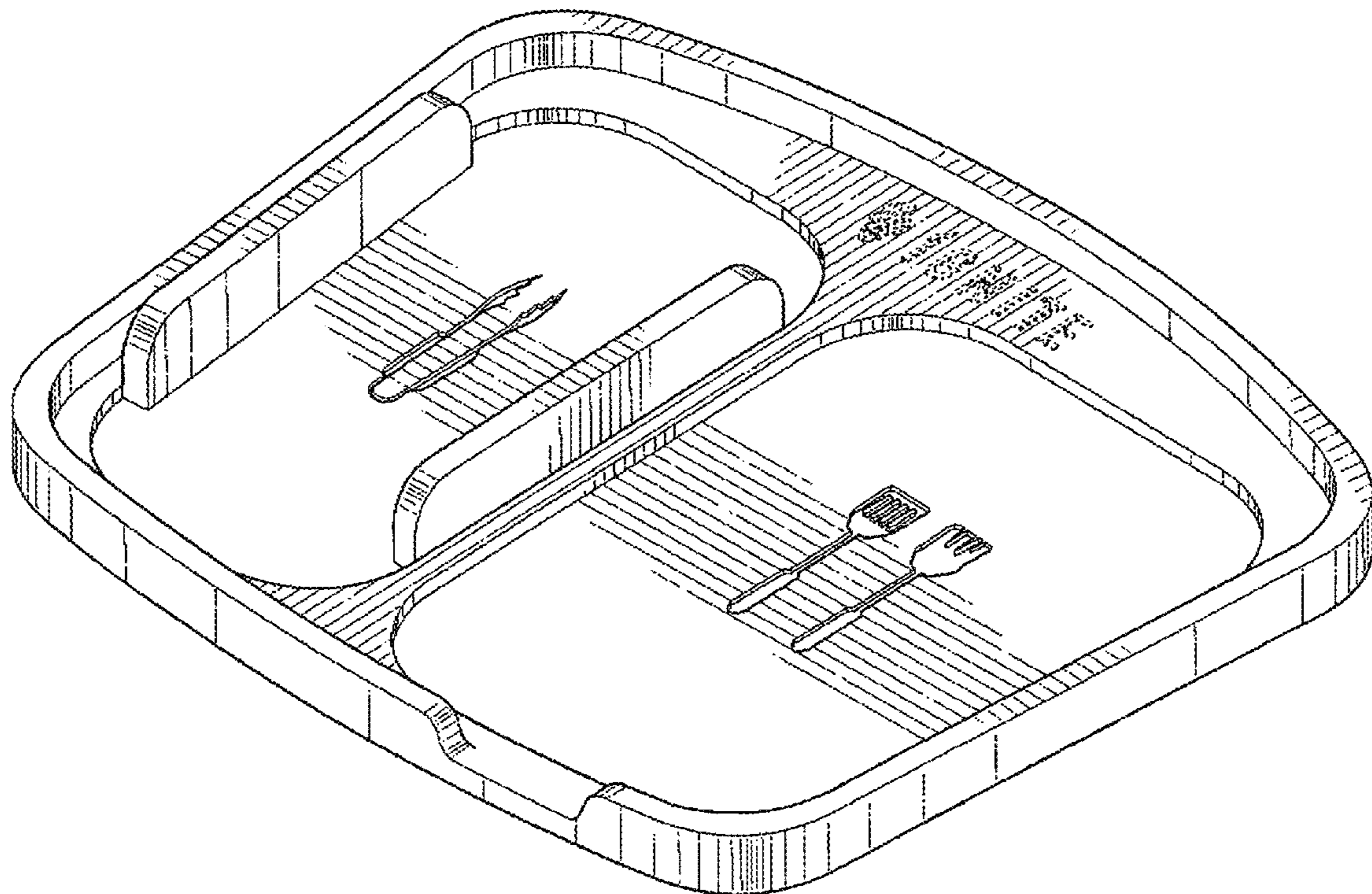
(57) **CLAIM**

The ornamental design for a trivet, as shown and described.

DESCRIPTION

FIG. 1 is a perspective view of a trivet showing our new design;
FIG. 2 is a top view thereof;
FIG. 3 is a bottom view thereof;
FIG. 4 is a right side view thereof;
FIG. 5 is a left side view thereof;
FIG. 6 is a back view thereof; and,
FIG. 7 is a front view thereof.
The broken lines in the figures illustrate the portions of the design that form no part of the claimed design.

1 Claim, 5 Drawing Sheets



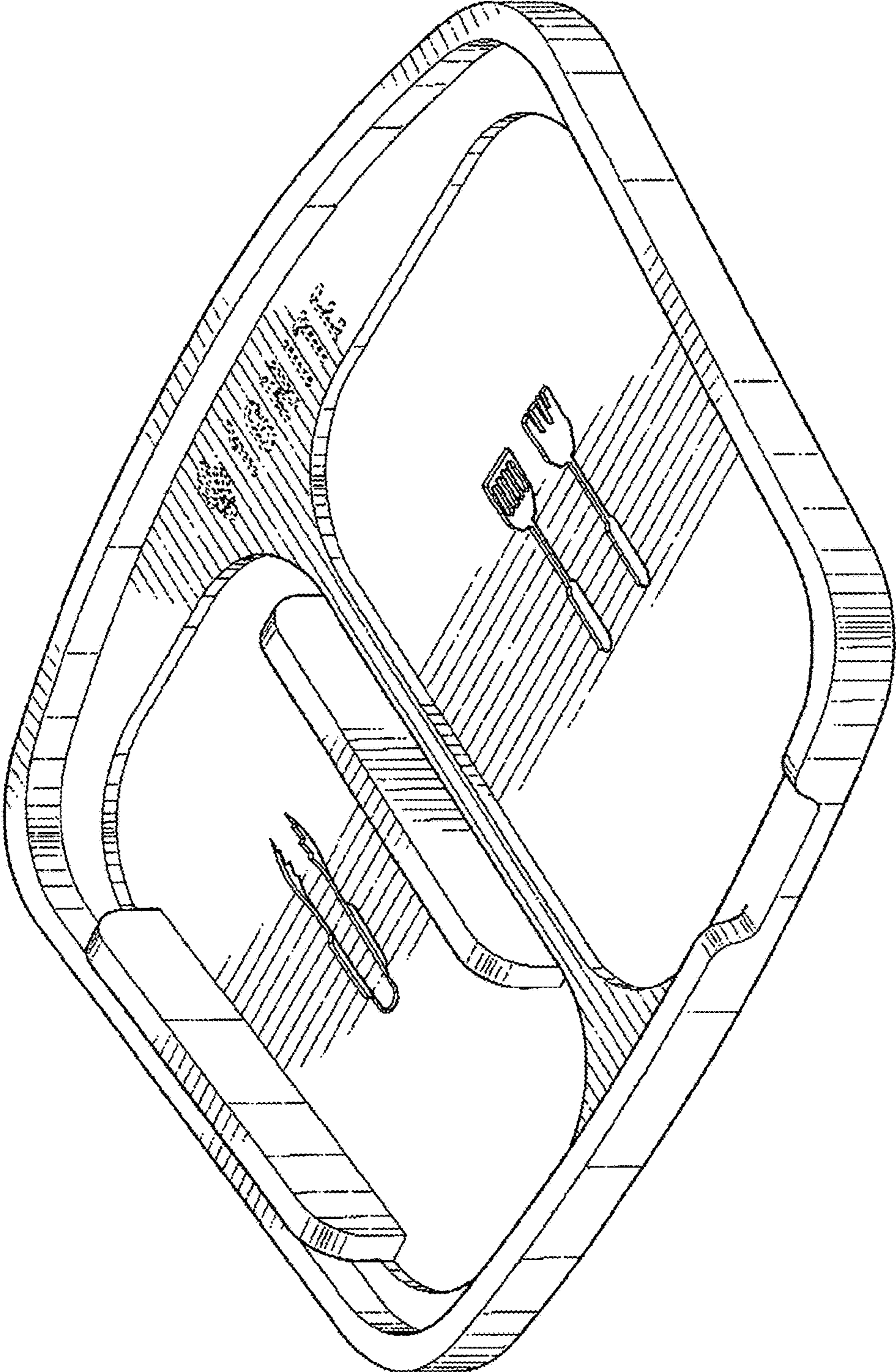


FIG. 1

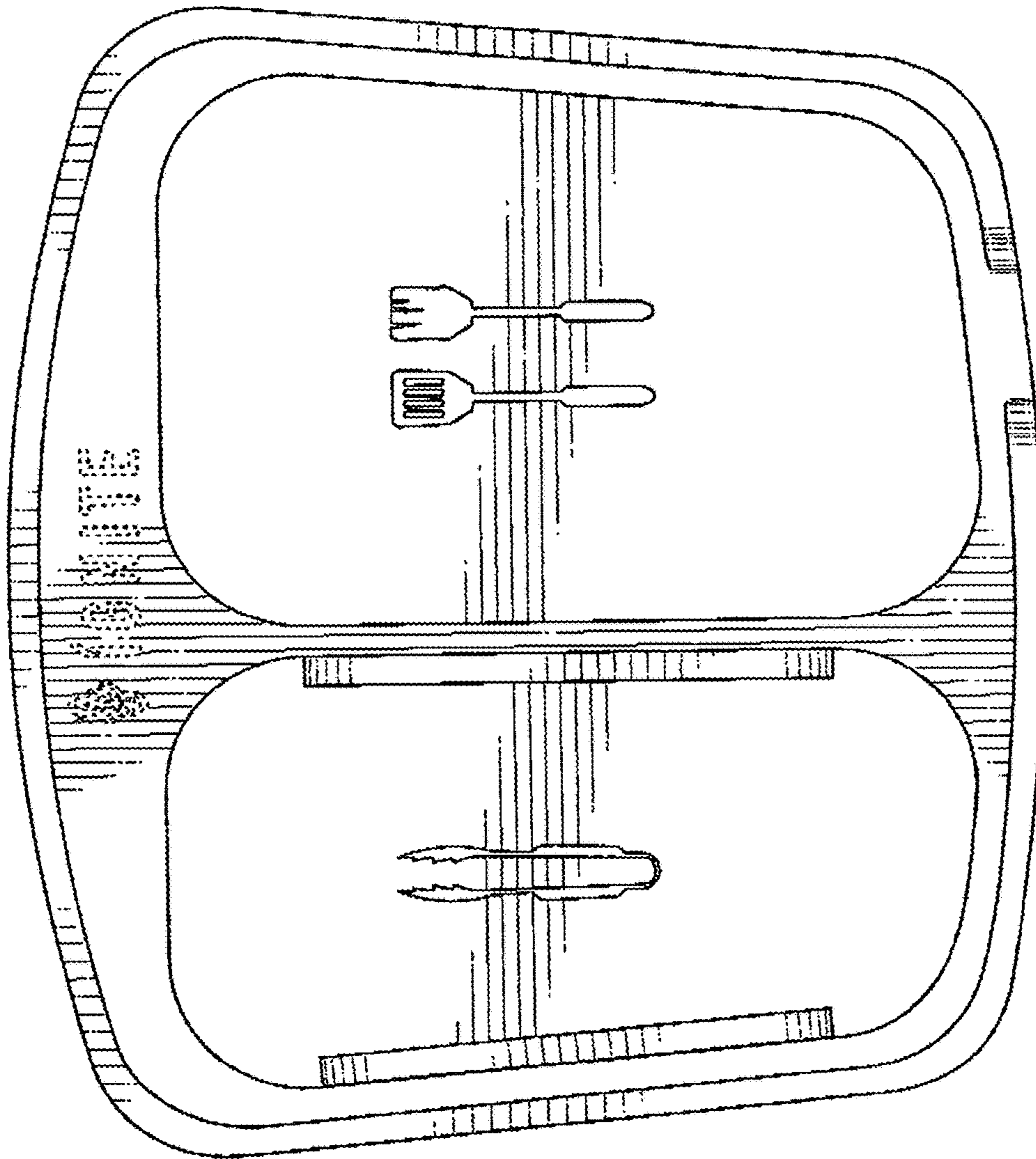


FIG. 2

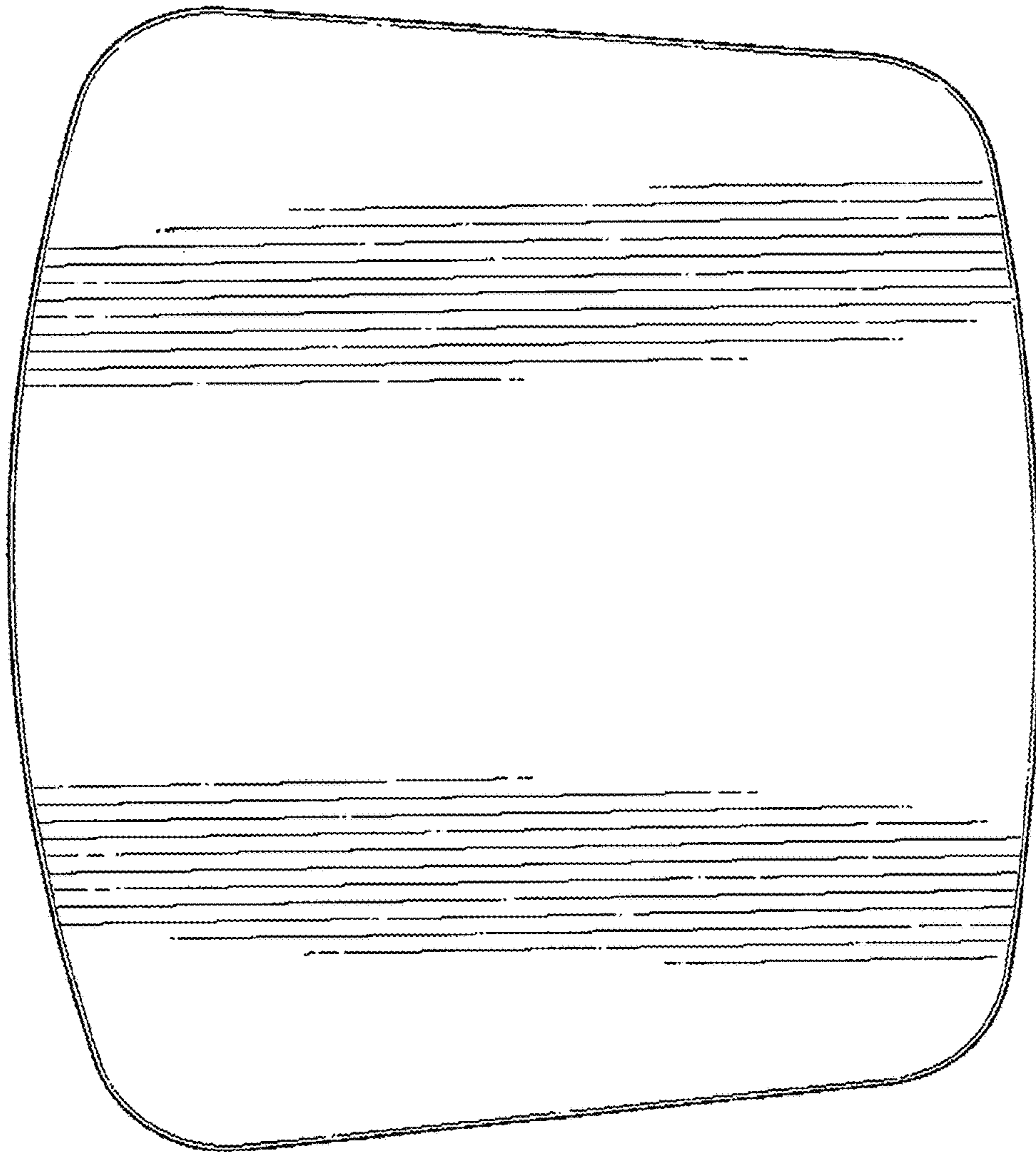


FIG. 3

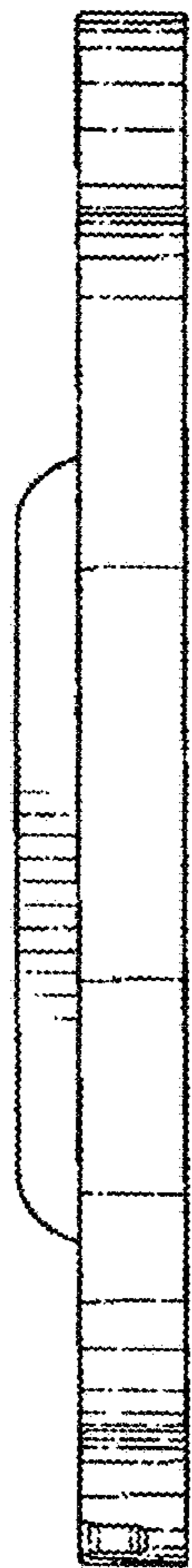


FIG. 4

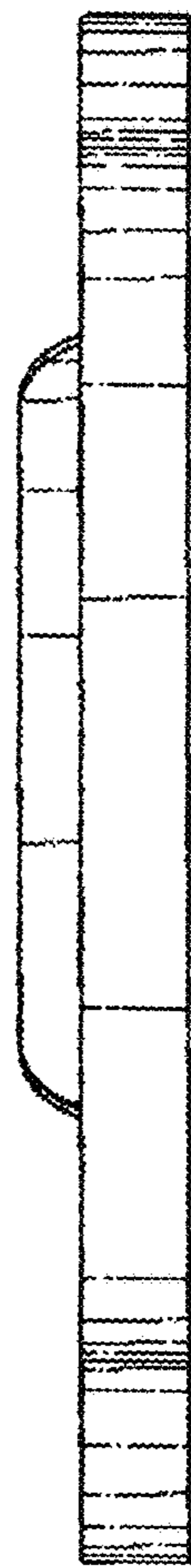


FIG. 5

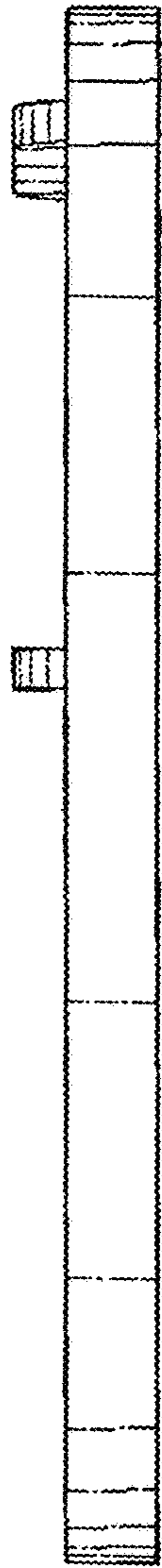


FIG. 6



FIG. 7