



US00D836396S

(12) **United States Design Patent** (10) **Patent No.:** **US D836,396 S**
Melanson et al. (45) **Date of Patent:** **** Dec. 25, 2018**

- (54) **BEVERAGE CONTAINER**
- (71) Applicant: **OTTER PRODUCTS, LLC**, Fort Collins, CO (US)
- (72) Inventors: **Christopher J. Melanson**, Fort Collins, CO (US); **Shanshan Li**, Fort Collins, CO (US); **Alex S. Breeden**, Fort Collins, CO (US); **Russell J. Goldfain**, Fort Collins, CO (US)
- (73) Assignee: **Otter Products, LLC**, Fort Collins, CO (US)
- (**) Term: **15 Years**
- (21) Appl. No.: **29/603,408**
- (22) Filed: **May 9, 2017**
- (51) **LOC (11) Cl.** **07-01**
- (52) **U.S. Cl.**
USPC **D7/523**; D7/531; D7/532
- (58) **Field of Classification Search**
USPC D7/505, 507, 509, 510, 511, 523, 530, D7/531, 532, 300.1, 512, 513, 396.1, D7/396.2, 552.2, 553.6, 584, 672, 554.3, D7/557, 560, 562, 635; 220/592.16, 220/592.17; D9/453, 570, 557, 556, 569; D10/46.2
CPC A47G 19/22; A47G 19/2205; A47G 19/2266; A47G 19/2227; B65D 1/265; B65D 3/06; A45F 3/20
See application file for complete search history.

- D403,079 S 12/1998 Pawlak et al.
- D429,118 S 8/2000 Hurlbut
- D450,982 S 11/2001 Gaze et al.
- 6,324,966 B1 12/2001 Joergensen
- D455,052 S 4/2002 Gullickson et al.
- D455,612 S 4/2002 Gullickson et al.
- D476,859 S 7/2003 Short
- D479,800 S 9/2003 McRae
- 6,626,326 B2 9/2003 Murakami
- (Continued)

FOREIGN PATENT DOCUMENTS

EP 2555658 A1 2/2013

OTHER PUBLICATIONS

US D775,903, 01/2017, Seiders et al. (withdrawn)
(Continued)

Primary Examiner — Marianne N Pandozzi
Assistant Examiner — Jae Liang

(57) **CLAIM**

The ornamental design for a beverage container, as shown and described.

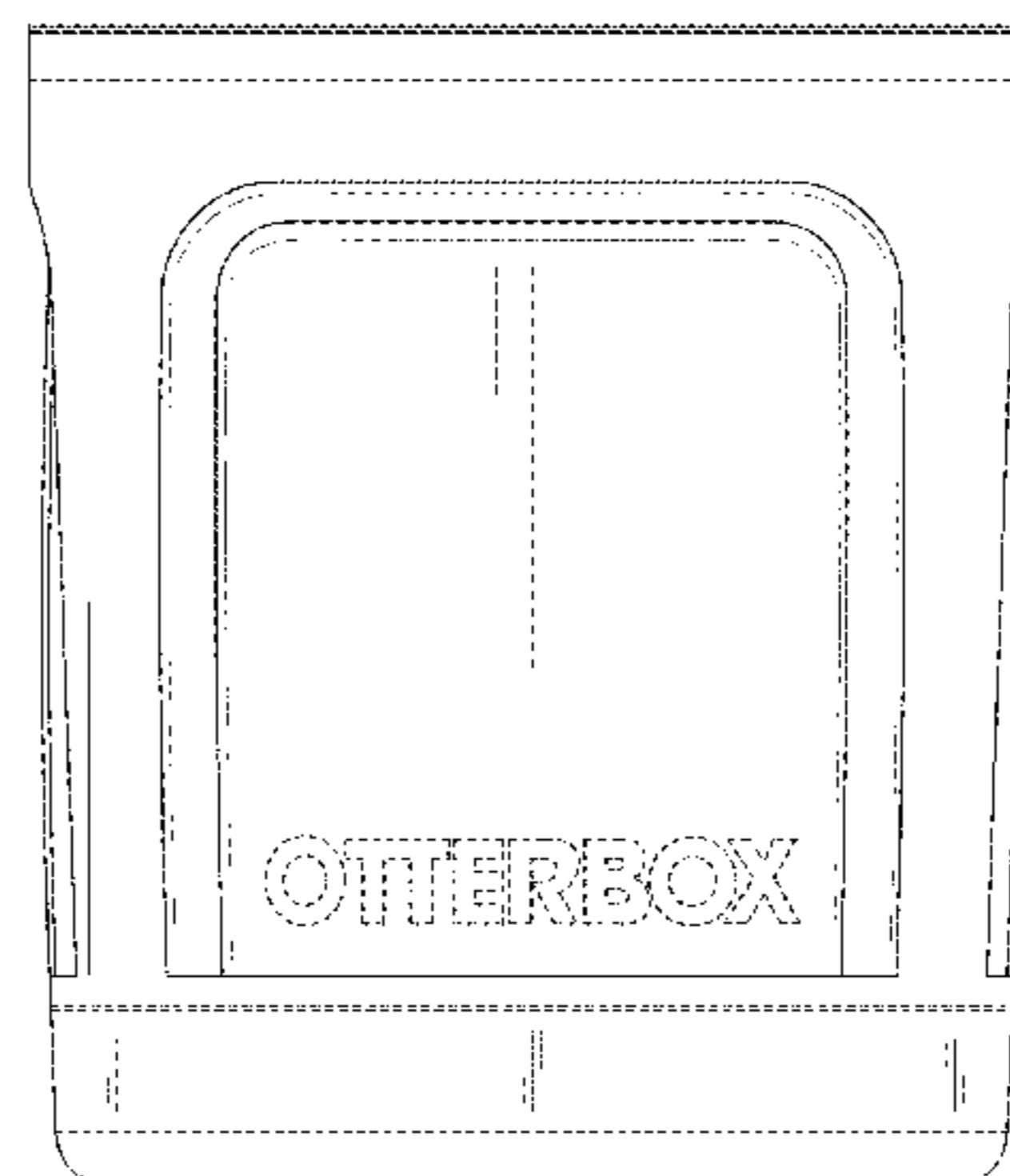
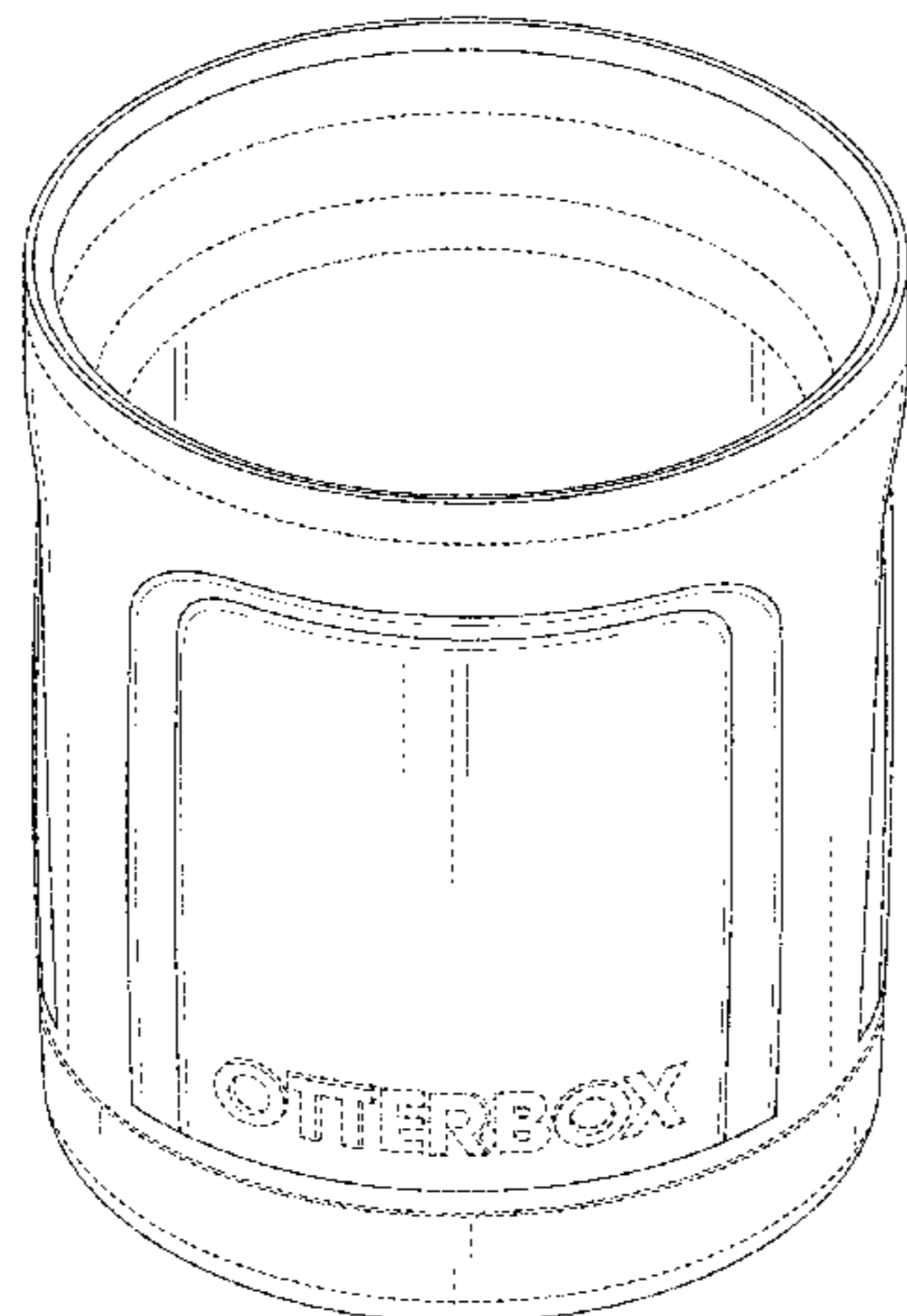
DESCRIPTION

FIG. 1 is a front, top perspective view of a beverage container showing our new design;
FIG. 2 is a rear, bottom perspective view thereof;
FIG. 3 is a front view thereof;
FIG. 4 is a rear view thereof;
FIG. 5 is a left side view thereof;
FIG. 6 is a right side view thereof;
FIG. 7 is a top view thereof; and,
FIG. 8 is a bottom view thereof.
The broken lines in the drawings depict portions of the beverage container that form no part of the claimed design. The unshaded surfaces bounded by broken lines form no part of the claimed design.

1 Claim, 8 Drawing Sheets

(56) **References Cited**
U.S. PATENT DOCUMENTS

- 2,957,596 A 10/1960 Rehborg
- 4,518,639 A 5/1985 Phillips
- D282,897 S * 3/1986 Conti D22/126
- D321,628 S 11/1991 Kobayashi et al.
- D371,304 S 7/1996 Onneweer
- D375,019 S 10/1996 Goto et al.



(56)

References Cited

U.S. PATENT DOCUMENTS

D482,607 S	11/2003	McRae		D740,605 S	10/2015	Wodka et al.	
D488,960 S	4/2004	Wahl et al.		D742,684 S	11/2015	Hurley et al.	
7,011,227 B2	3/2006	Ward et al.		D743,269 S	11/2015	Papé	
D524,909 S	7/2006	Bakke et al.		9,187,232 B2	11/2015	Seiders	
D533,032 S	12/2006	Liu et al.		D748,942 S	2/2016	Boroski et al.	
D547,607 S	7/2007	Forsman		D751,338 S	3/2016	Seiders et al.	
D564,841 S	3/2008	Clemens et al.		D751,339 S	3/2016	Seiders et al.	
D572,981 S	7/2008	Carreno		D751,340 S	3/2016	Seiders et al.	
D574,192 S *	8/2008	Schosser	D7/509	D751,341 S	3/2016	Seiders et al.	
D584,569 S *	1/2009	Buchman	D7/602	D752,347 S	3/2016	Seiders et al.	
D584,925 S *	1/2009	Buchman	D7/602	D752,397 S	3/2016	Seiders et al.	
D587,533 S	3/2009	Carreno		D753,482 S *	4/2016	Serrano	D9/428
D592,906 S	5/2009	Allen et al.		D754,483 S	4/2016	Elsaden et al.	
7,533,783 B2	5/2009	Choi et al.		D754,486 S	4/2016	Ott	
D605,040 S	12/2009	Fry et al.		9,351,597 B2	5/2016	Liu et al.	
D621,257 S	8/2010	Gullickson et al.		D758,127 S	6/2016	Zhao	
D623,480 S	9/2010	Moran		D758,137 S	6/2016	Soltz et al.	
D623,481 S	9/2010	Moran		D758,791 S	6/2016	Hanna et al.	
D623,896 S	9/2010	Wahl et al.		D759,485 S	6/2016	Boroski et al.	
D626,837 S	11/2010	Meyers et al.		D760,586 S	7/2016	Seiders et al.	
D628,018 S	11/2010	Gilbert		D761,609 S	7/2016	Gamelli et al.	
D630,093 S	1/2011	Bardet		D761,619 S	7/2016	Seiders et al.	
D639,177 S *	6/2011	Pape	D9/443	D762,117 S	7/2016	Joseph et al.	
D651,847 S	1/2012	Gilbert		D762,418 S *	8/2016	Sorensen	D7/511
D656,360 S	3/2012	Miller et al.		D764,787 S	8/2016	Montminy	
D657,196 S	4/2012	Beyers		D766,029 S	9/2016	Lin	
D659,007 S *	5/2012	Pape	D9/443	D766,652 S	9/2016	Joseph et al.	
8,191,727 B2	6/2012	Davies et al.		D767,328 S	9/2016	Boroski et al.	
8,251,247 B1	8/2012	Breckner		D768,437 S	10/2016	Lane	
D672,198 S	12/2012	Soltz et al.		D769,046 S	10/2016	Beckman et al.	
D672,618 S *	12/2012	Stamper	D7/602	9,456,710 B2	10/2016	Blain et al.	
D672,648 S	12/2012	Goto et al.		9,462,904 B2	10/2016	Coon et al.	
D675,059 S	1/2013	Carreno		D770,222 S	11/2016	Boroski et al.	
D682,034 S	5/2013	El-Saden et al.		D771,990 S	11/2016	Horowitz	
8,469,226 B2	6/2013	Davies et al.		D772,064 S	11/2016	Boroski et al.	
D686,871 S	7/2013	Lane		9,505,527 B1	11/2016	Campbell	
D689,331 S	9/2013	Staton		D774,359 S	12/2016	Boroski	
8,602,238 B2	12/2013	El-Saden et al.		D774,363 S	12/2016	Seiders et al.	
D697,798 S *	1/2014	Sorensen	D9/429	D774,837 S	12/2016	Seiders et al.	
8,622,237 B2	1/2014	Choi et al.		D777,508 S	1/2017	Goodwin et al.	
D699,996 S	2/2014	Leo		D779,285 S	2/2017	Seiders et al.	
D700,012 S	2/2014	Hurley et al.		D779,891 S	2/2017	Seiders et al.	
D700,802 S	3/2014	Miller		D779,892 S	2/2017	Seiders et al.	
D702,092 S	4/2014	Mettler et al.		D780,530 S	3/2017	Seiders et al.	
8,695,830 B2	4/2014	Meyers et al.		D780,531 S	3/2017	Seiders et al.	
D707,124 S	6/2014	Blain et al.		D780,532 S	3/2017	Seiders et al.	
8,777,048 B2	7/2014	Choi et al.		D780,533 S	3/2017	Seiders et al.	
D712,254 S	9/2014	Geis et al.		D780,577 S	3/2017	Seiders et al.	
D712,720 S	9/2014	Seiders		D781,145 S	3/2017	Seiders et al.	
D712,721 S	9/2014	Seiders		D781,146 S	3/2017	Seiders et al.	
D712,722 S	9/2014	Seiders		D781,662 S	3/2017	Seiders et al.	
D712,723 S	9/2014	Seiders		D782,881 S	4/2017	Seiders et al.	
D714,125 S	9/2014	Seiders		D783,367 S	4/2017	Seiders et al.	
8,844,762 B2	9/2014	Chiou et al.		D783,368 S	4/2017	Seiders et al.	
D716,657 S	11/2014	Caneer		D784,775 S	4/2017	Seiders et al.	
8,905,252 B2	12/2014	Latham et al.		D786,025 S	5/2017	Seiders et al.	
8,910,819 B2	12/2014	Seiders		D787,893 S	5/2017	Seiders et al.	
8,939,305 B2	1/2015	Meyers et al.		D787,894 S	5/2017	Seiders et al.	
D722,474 S	2/2015	Seiders		9,637,270 B2	5/2017	Campbell	
D722,475 S	2/2015	Seiders		D788,527 S *	6/2017	Smith	D7/376
D725,966 S	4/2015	Boroski et al.		D788,544 S	6/2017	Seiders et al.	
D727,457 S	4/2015	Seiders		D790,285 S	6/2017	Seiders et al.	
D729,579 S	5/2015	Molayem		D790,920 S	7/2017	Goodwin et al.	
D731,614 S	6/2015	Seiders		D791,532 S	7/2017	Yao	
D732,348 S	6/2015	Seiders et al.		D791,549 S	7/2017	Goodwin et al.	
D732,349 S	6/2015	Seiders et al.		D792,215 S	7/2017	Eyal	
D732,350 S	6/2015	Seiders et al.		9,694,953 B2	7/2017	Meyers et al.	
D732,392 S	6/2015	Duran et al.		D793,165 S	8/2017	Rummel et al.	
D732,899 S	6/2015	Seiders et al.		D794,397 S	8/2017	Seiders et al.	
D733,497 S *	7/2015	Sorensen	D7/509	D795,008 S	8/2017	Eyal	
D736,622 S	8/2015	Nishijima et al.		D795,012 S	8/2017	Rummel et al.	
9,107,541 B2	8/2015	Bodum		D795,019 S	8/2017	Seiders et al.	
9,113,698 B2	8/2015	Blain et al.		D795,020 S	8/2017	Seiders et al.	
D739,174 S	9/2015	Elsaden et al.		D795,646 S	8/2017	Sorensen et al.	
9,139,352 B2	9/2015	Seiders et al.		D798,105 S	9/2017	Stover et al.	
				9,771,189 B2	9/2017	Miksovsky et al.	
				D798,668 S *	10/2017	Steel	D7/531
				D799,320 S	10/2017	Goodwin et al.	
				D799,906 S	10/2017	Seiders et al.	

(56)

References Cited

U.S. PATENT DOCUMENTS

D799,907 S 10/2017 Seiders et al.
 D799,908 S 10/2017 Seiders et al.
 D800,501 S 10/2017 Rummel et al.
 D801,046 S * 10/2017 Bores D3/273
 9,776,777 B2 10/2017 Gorbald
 9,782,028 B2 10/2017 Davies et al.
 D802,419 S 11/2017 Seiders et al.
 D802,994 S 11/2017 Seiders et al.
 D803,619 S 11/2017 Seiders et al.
 D803,632 S 11/2017 Seiders et al.
 D803,684 S 11/2017 Seiders et al.
 D804,254 S 12/2017 Seiders et al.
 D804,255 S 12/2017 Seiders et al.
 D804,256 S 12/2017 Seiders et al.
 D804,905 S 12/2017 Seiders et al.
 D804,910 S * 12/2017 Steel D7/531
 D805,354 S * 12/2017 Bielawski D7/523
 D805,852 S 12/2017 Seiders et al.
 D807,125 S 1/2018 Seiders et al.
 D807,126 S 1/2018 Seiders et al.
 D808,218 S 1/2018 Seiders et al.
 D812,432 S 3/2018 Seiders et al.
 D812,979 S 3/2018 Seiders et al.
 2005/0046211 A1 3/2005 Nole et al.
 2006/0016819 A1 1/2006 Paslawski et al.
 2007/0175931 A1 * 8/2007 Leoncavallo B65D 47/0895
 222/556
 2008/0087624 A1 4/2008 Buckley
 2011/0147421 A1 6/2011 Pedrol
 2011/0278216 A1 11/2011 Hull et al.
 2013/0043263 A1 2/2013 Yang
 2013/0240549 A1 9/2013 Beggins et al.
 2014/0061208 A1 3/2014 Boyd
 2016/0153690 A1 6/2016 Patsis et al.

2016/0270602 A1 9/2016 Casey
 2016/0318693 A1 11/2016 Hein et al.
 2017/0121073 A1 5/2017 Seiders et al.

OTHER PUBLICATIONS

Brittany A. Roston, Slash Gear, "Venture Coolers are like the camping version of OtterBox phone cases," May 9, 2017, downloaded from <https://www.slashgear.com/venture-coolers-are-like-the-camping-version-of-otterbox-phone-cases-09484519/>, 5 pages.
 Genuine Thermos Brand, Mugs & Tumblers, downloaded from http://www.thermos.com/product_catalog.aspx?CatCode=MUGS May 8, 2017, 5 pages.
 Kevin Curry, Gear & Grit, "OtterBox Just Beat Yeti at Its own Game with Their Venture Line of Coolers," downloaded from <https://gearandgrit.com/otterbox-venture-cooler/> May 9, 2017, 5 pages.
 Otter Products, Inc, OtterBox Outdoor Venture Coolers and Elevation Tumblers, downloaded from <http://www.otterbox.com/en-us/outdoor-coming-soon-html> May 9, 2017, 2 pages.
 Otterbox, PR Newswire "Unrule the Outdoors with New OtterBox Venture Coolers", downloaded from <http://www.prnewswire.com/news-releases/unrule-the-outdoors-with-new-otterbox-venture-coolers-300453988.html> May 9, 2017, 3 pages.
 Pelican Consumer, Traveler Tumbler Series Drinkware, downloaded from <http://www.pelican.com/us/en/products/drinkware> May 8, 2017, 2 pages.
 Tervis Official Store, Shaker Top, downloaded from <http://www.tervis.com/shaker-top> May 8, 2017, 4 pages.
 Tervis Official Store, Stainless Steel Tumblers, downloaded from <http://www.tervis.com/stainless-steel> May 8, 2017, 4 pages.
 Tervis Official Store, Travel Lids, downloaded from <http://www.tervis.com/travel-lids> May 8, 2017, 11 pages.
 Yeti Coolers, Rambler Drinkware Series, downloaded from <http://yeti.com/rambler> May 8, 2017, 6 pages.
 Yeti Coolers, Yeti Accessories & Parts, downloaded May 8, 2017 from <http://yeti.com/accessories>, 5 pages.

* cited by examiner



FIG. 1

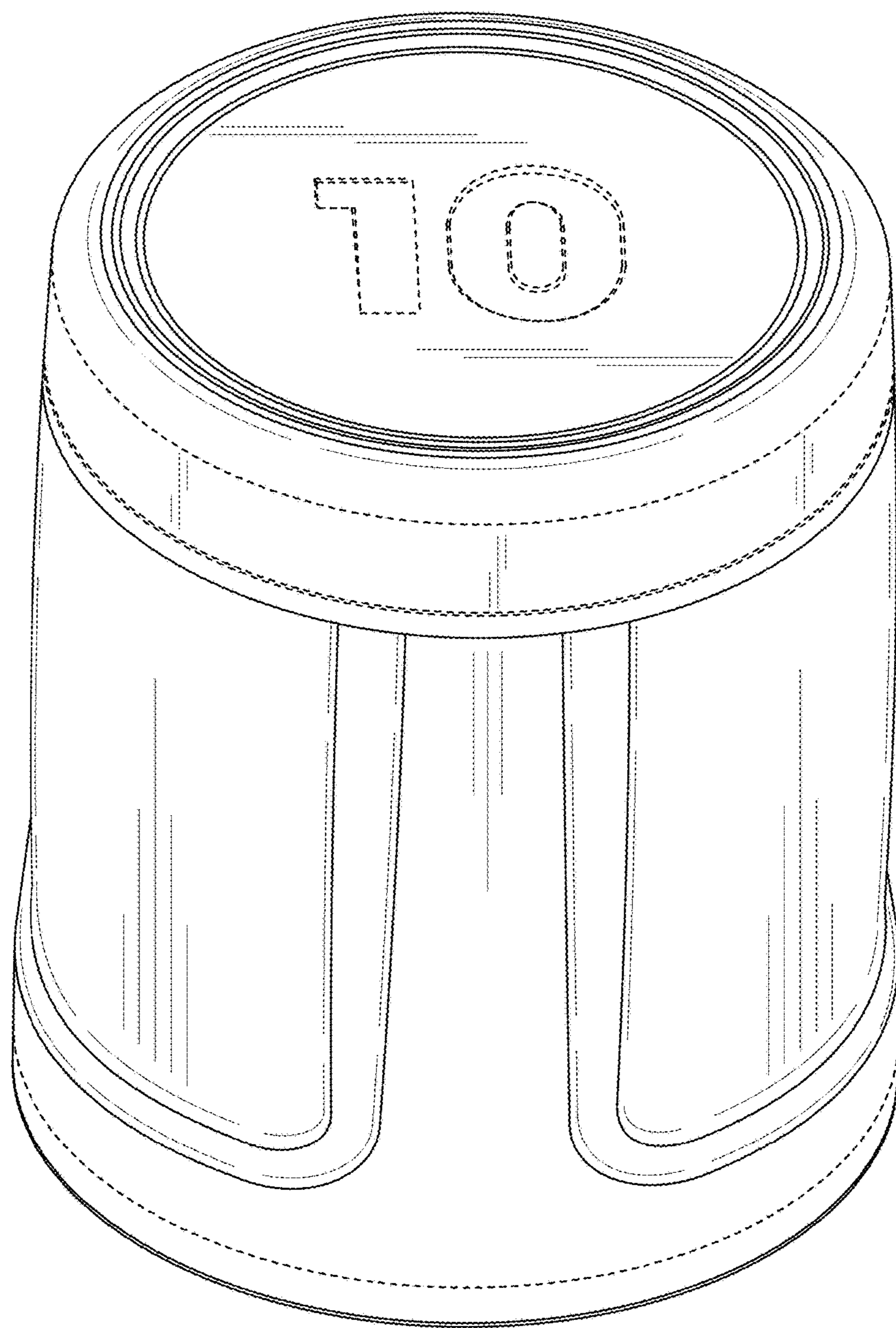


FIG. 2

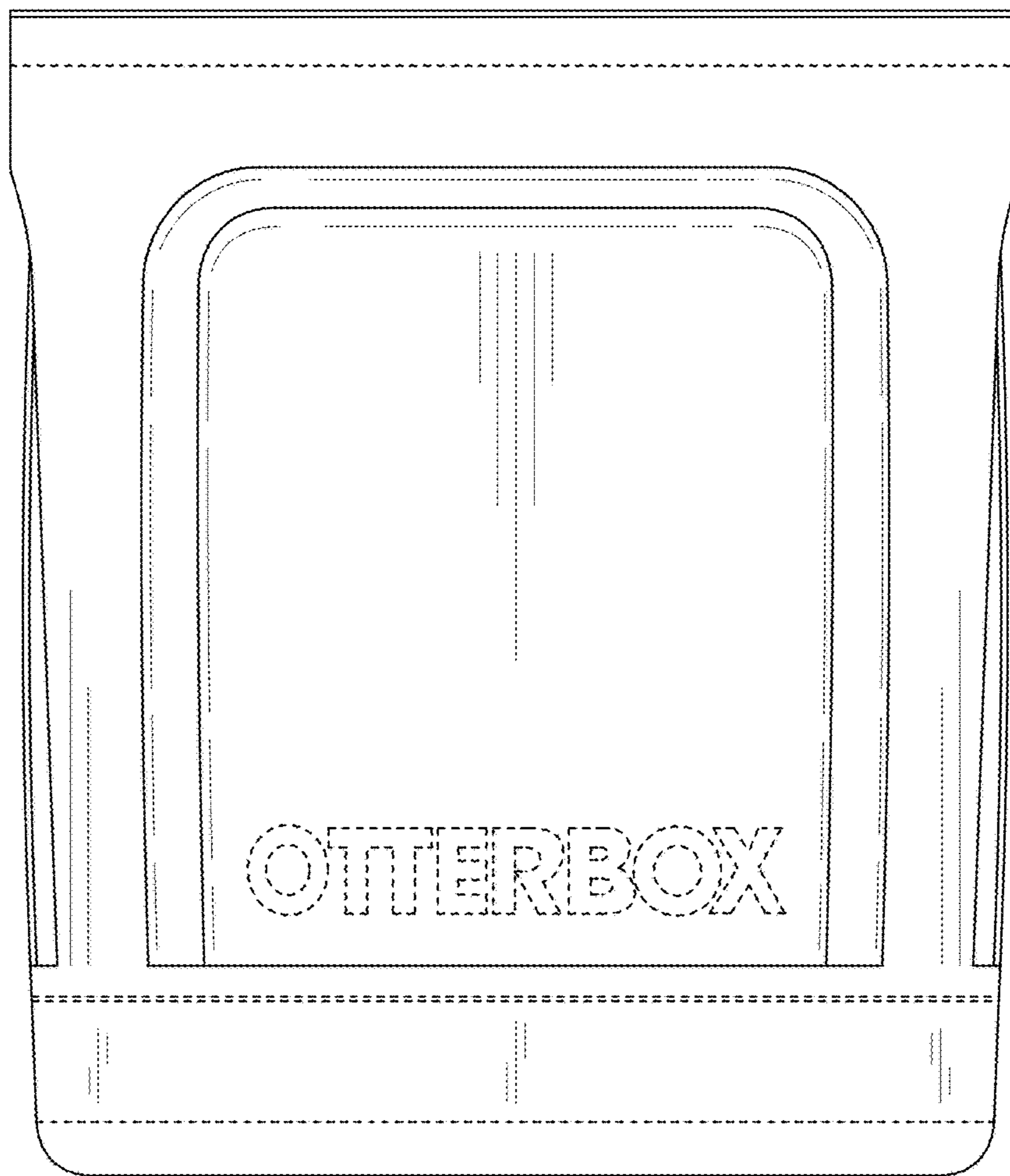


FIG. 3

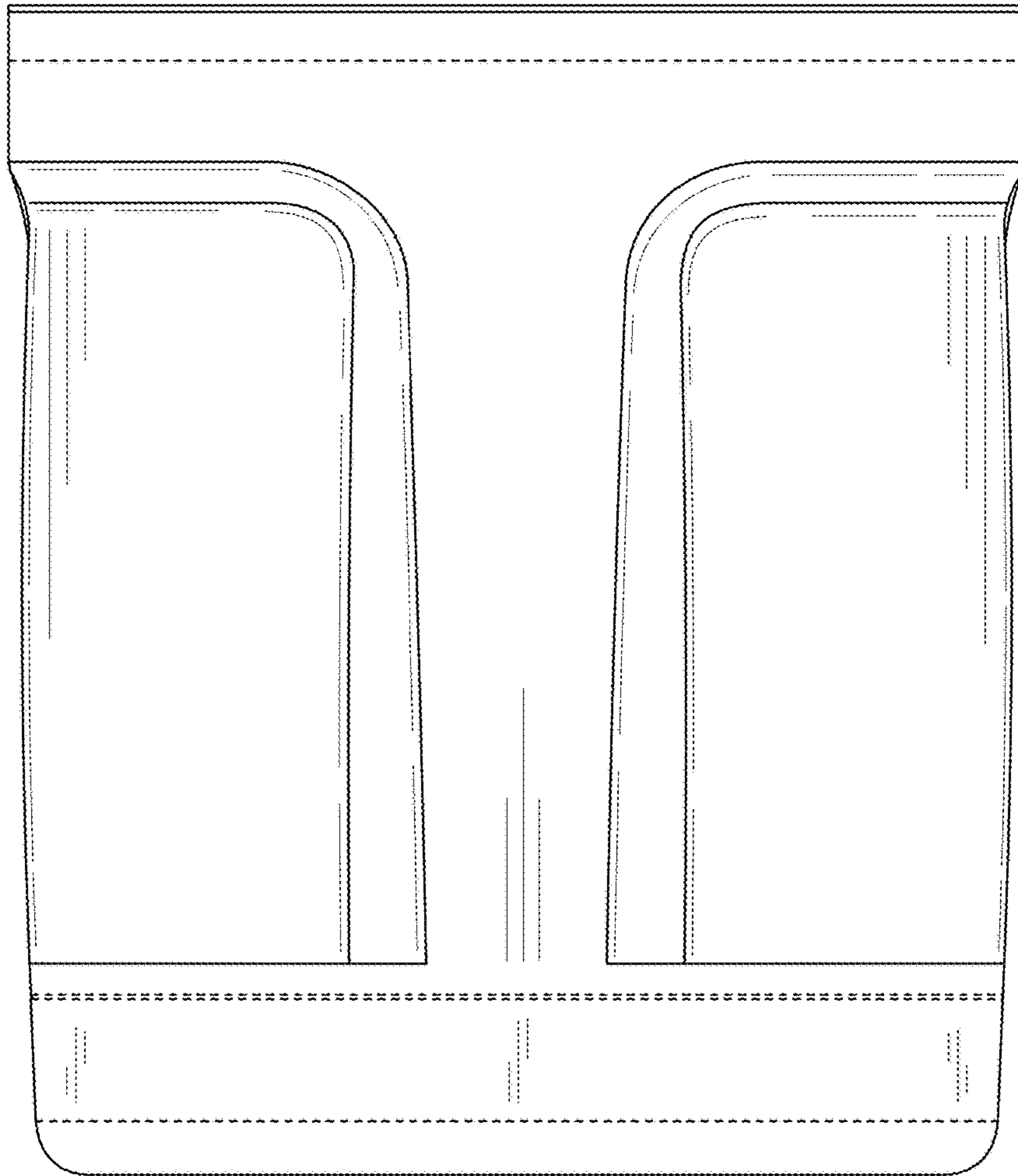


FIG. 4

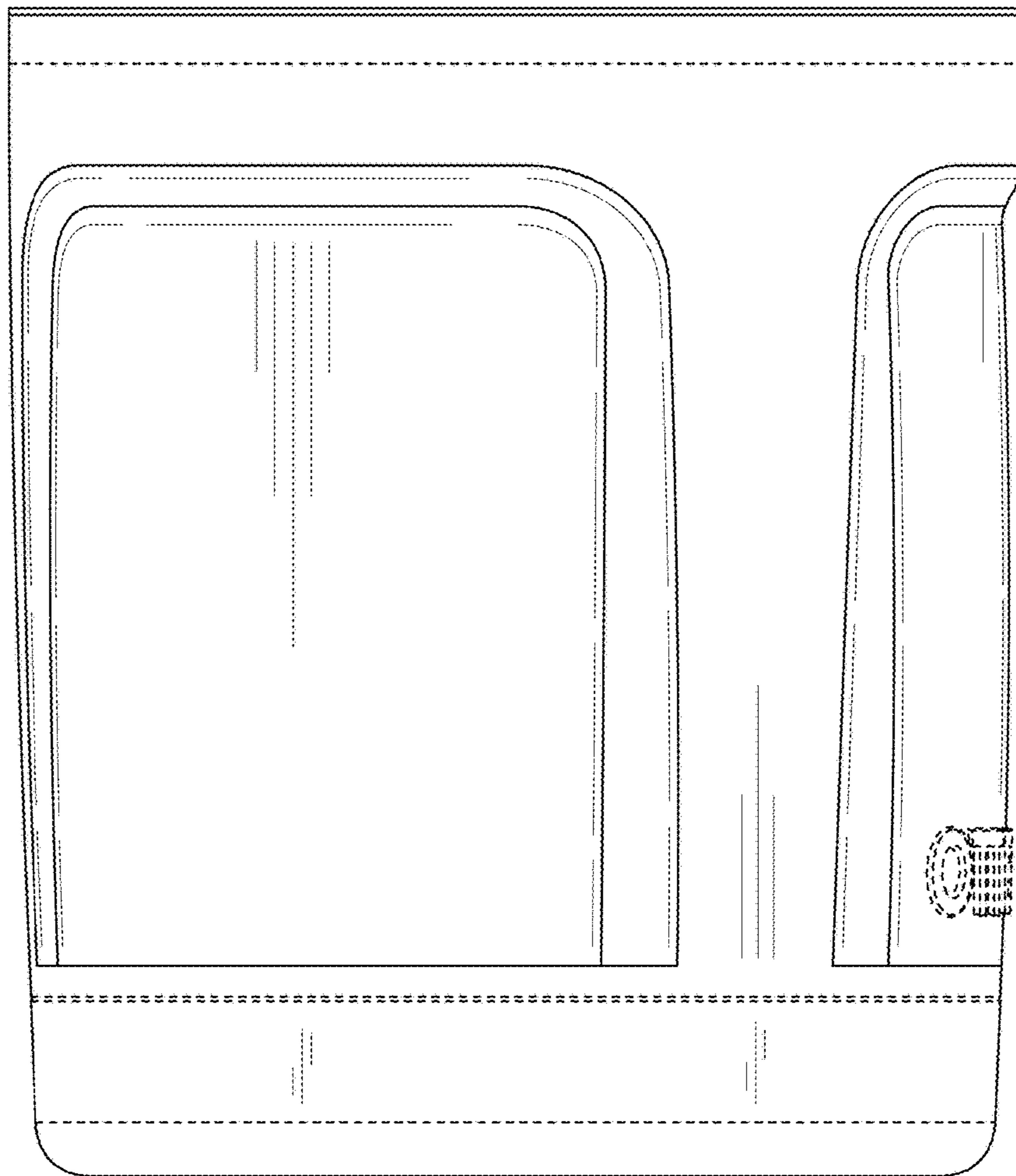


FIG. 5

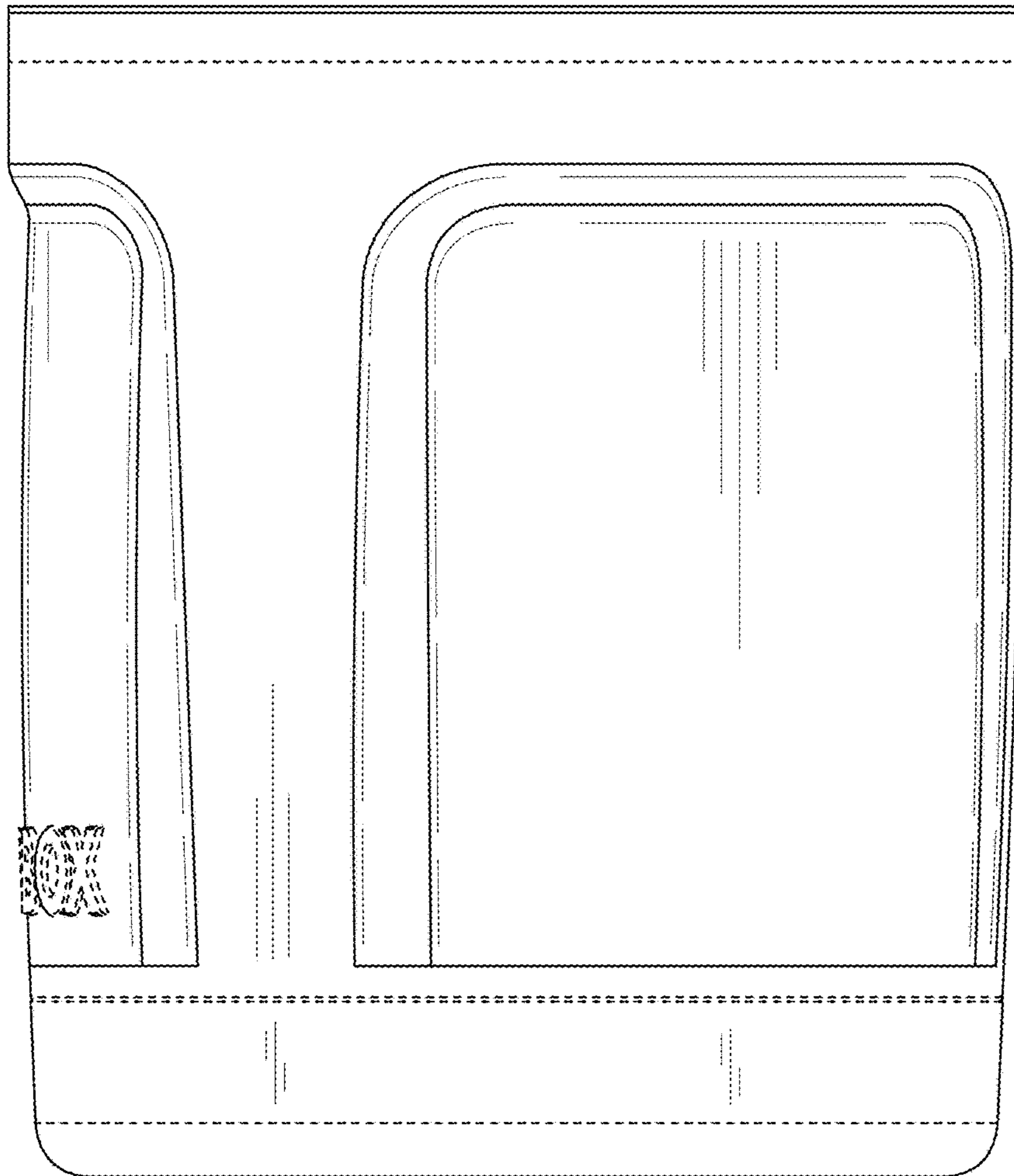


FIG. 6

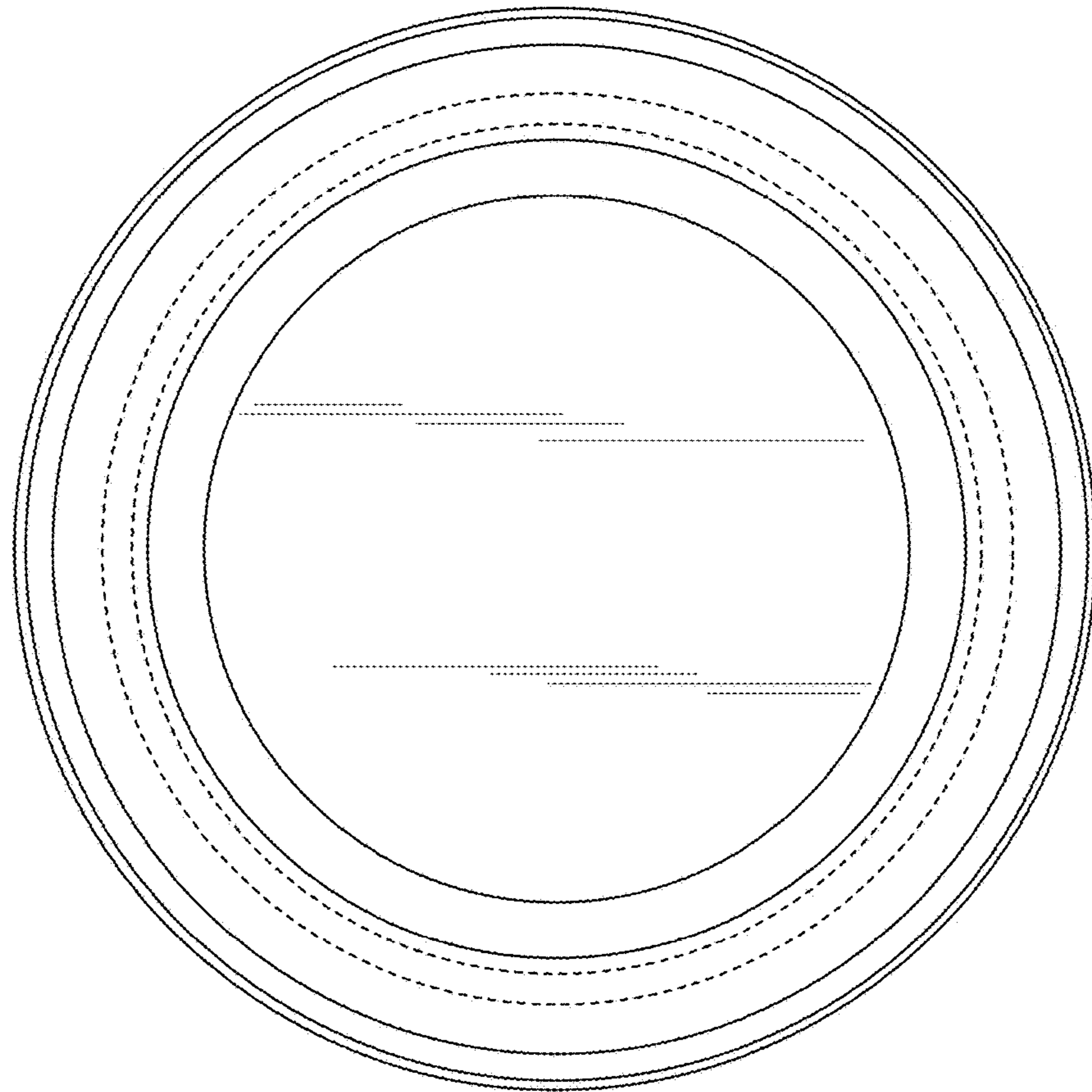


FIG. 7

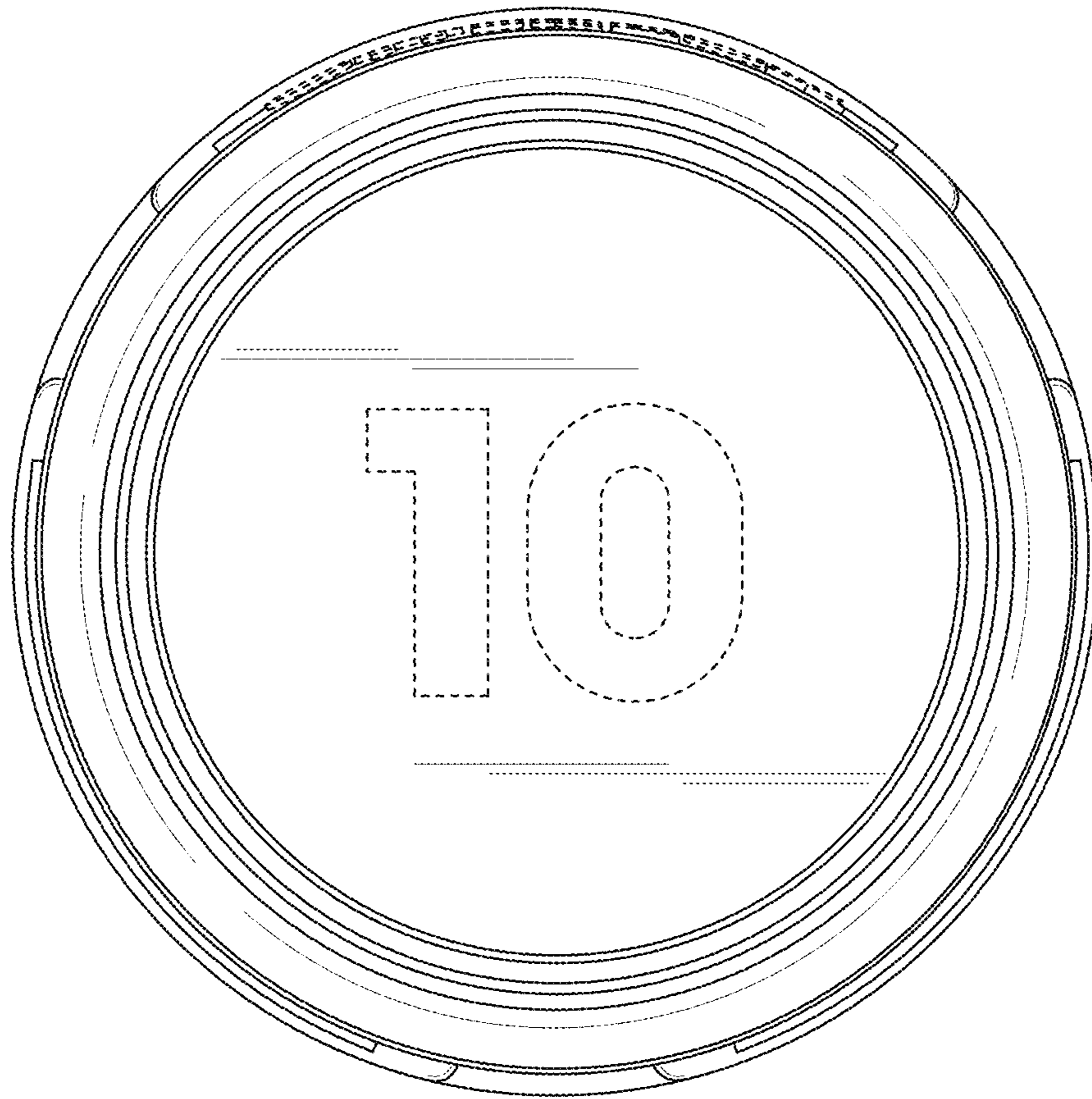


FIG. 8