



US00D836395S

(12) **United States Design Patent** (10) **Patent No.:** **US D836,395 S**
Seiders et al. (45) **Date of Patent:** **** Dec. 25, 2018**

(54) **CONTAINER**

(71) Applicant: **YETI Coolers, LLC**, Austin, TX (US)

(72) Inventors: **Roy Joseph Seiders**, Austin, TX (US);
Matthew Joseph Petrillo, Austin, TX (US); **Kyle Ellison**, Austin, TX (US)

(73) Assignee: **YETI Coolers, LLC**, Austin, TX (US)

(**) Term: **15 Years**

(21) Appl. No.: **29/606,307**

(22) Filed: **Jun. 2, 2017**

(51) **LOC (11) Cl.** **07-01**

(52) **U.S. Cl.**
USPC **D7/510**; D7/511; D7/532

(58) **Field of Classification Search**
USPC D7/392.1, 396.2, 387, 396.3, 388, 900,
D7/507, 555, 510, 511, 533, 536, 397,
D7/398, 396.1, 620, 619.1, 532, 509, 608;
D9/436, 434, 435, 454, 420, 414, 453,
D9/555, 553, 568, 450; 220/200, 703,
220/592.16, 592.17; D8/382, 395, 396,
D8/394; D11/143, 153
CPC B65D 41/56; B65D 43/02; B65D 1/265;
A47G 19/2216; A47G 19/22; A47G
19/2222

See application file for complete search history.

(56) **References Cited**

U.S. PATENT DOCUMENTS

D192,192 S 2/1962 Tupper
4,090,660 A 5/1978 Schram et al.
4,202,459 A 5/1980 DeParales et al.
4,408,703 A 10/1983 Libit
D288,667 S 3/1987 Miner

(Continued)

FOREIGN PATENT DOCUMENTS

EP 0654417 A1 5/1995
EP 1332977 A1 8/2003
GB 253358 A 6/1926

OTHER PUBLICATIONS

“Bubba Brands Classic Insulated Travel Mug”. Found online Mar. 9, 2017 at amazon.com. Page dated Sep. 30, 2010. Retrieved from https://www.amazon.com/Bubba-Brands-1953403-Classic-Insulated/dp/B01FB7IG8Y/ref=cm_cr_ar_p_d_product_top?ie=UTF8.

(Continued)

Primary Examiner — Marianne Pandozzi

Assistant Examiner — Jae Liang

(74) *Attorney, Agent, or Firm* — Banner & Witcoff, Ltd.

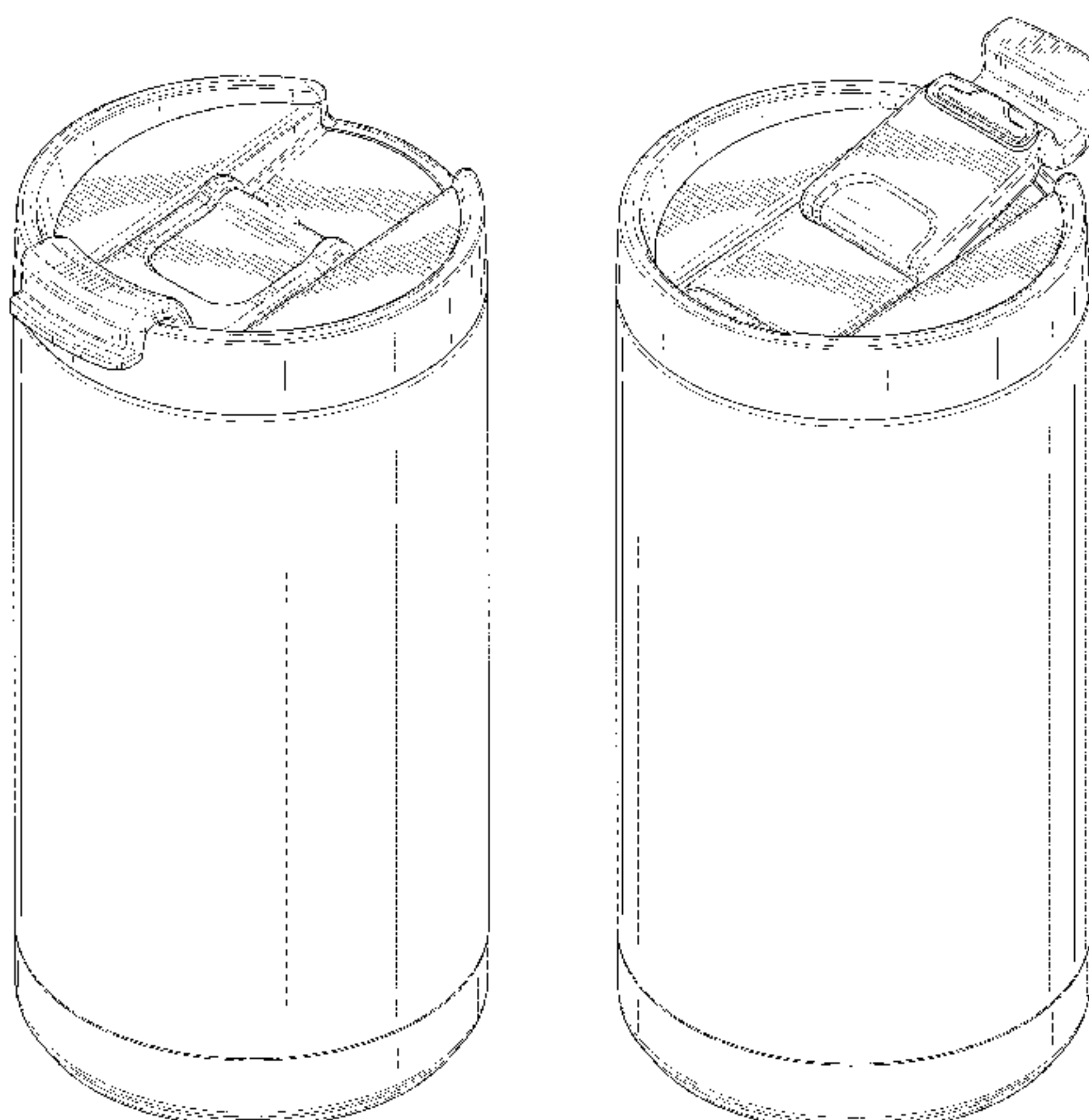
(57) **CLAIM**

The ornamental design for a container, as shown and described.

DESCRIPTION

FIG. 1 is a top, front, right perspective view of a container showing our new design;
FIG. 2 is a front view thereof;
FIG. 3 is a rear view thereof;
FIG. 4 is a right side view thereof;
FIG. 5 is a left side view thereof;
FIG. 6 is a top view thereof;
FIG. 7 is a bottom view thereof;
FIG. 8 is a top, front, right perspective view of a container showing our new design in an alternate configuration;
FIG. 9 is front view thereof;
FIG. 10 is a rear view thereof;
FIG. 11 is a right side view thereof;
FIG. 12 is a left side view thereof;
FIG. 13 is a top view thereof; and,
FIG. 14 is a top, front, right perspective view of a container showing our new design in a second alternate configuration. The broken lines immediately adjacent to the shaded area represent unclaimed boundaries of the design.

1 Claim, 14 Drawing Sheets



(56)

References Cited

U.S. PATENT DOCUMENTS

D363,666 S 10/1995 Goto et al.
 5,746,338 A 5/1998 Takahashi et al.
 D416,755 S 11/1999 Trombly
 D485,759 S 1/2004 Janky et al.
 D504,796 S 5/2005 Schuler et al.
 D544,749 S 6/2007 Seum et al.
 D552,926 S 10/2007 Yelland
 D584,566 S 1/2009 Fuller
 D608,140 S 1/2010 Gilbert
 D623,017 S 9/2010 George
 D627,600 S * 11/2010 Eyal D7/510
 D643,245 S 8/2011 Minarsch
 D644,060 S 8/2011 Komeiji
 D647,753 S 11/2011 Lin
 D655,570 S 3/2012 Meehan
 D655,604 S 3/2012 Molina et al.
 D655,967 S 3/2012 Bodum
 D662,354 S 6/2012 Bodum
 D666,052 S 8/2012 Trombly
 D667,263 S 9/2012 Gilbert et al.
 8,276,776 B2 10/2012 Roth et al.
 D674,663 S 1/2013 Cahen
 D691,416 S 10/2013 Eyal
 D692,756 S 11/2013 McClellan et al.
 D696,900 S 1/2014 George et al.
 D710,698 S 8/2014 Giraud et al.
 D715,100 S 10/2014 Eyal
 D717,103 S 11/2014 Wilbur
 D717,115 S * 11/2014 Lane D7/511
 D721,535 S * 1/2015 Chapman D7/396.2
 D721,540 S 1/2015 Grcic
 D732,337 S 6/2015 Coon et al.
 D747,199 S 1/2016 Phillips
 D751,340 S 3/2016 Seiders et al.
 D751,341 S 3/2016 Seiders et al.
 D752,381 S 3/2016 Wahl
 D752,397 S * 3/2016 Seiders D7/608
 9,346,076 B1 5/2016 Ford
 D761,618 S 7/2016 Lapsker
 D764,869 S 8/2016 Smrtnik et al.
 D772,651 S 11/2016 Leonard et al.
 D779,872 S 2/2017 Bergstrom
 D780,531 S * 3/2017 Seiders D7/608
 D789,737 S 6/2017 Eyal
 D795,020 S * 8/2017 Seiders D7/510
 D796,256 S 9/2017 Stover et al.

D799,899 S * 10/2017 Rummel D7/510
 D801,746 S 11/2017 Thuma et al.
 D802,362 S * 11/2017 Spivey D7/396.2
 D803,619 S * 11/2017 Seiders D7/392.1
 D803,684 S * 11/2017 Seiders D9/449
 D804,905 S 12/2017 Seiders et al.
 D805,838 S 12/2017 Guthrie
 D807,701 S * 1/2018 Bo D7/507
 D808,218 S 1/2018 Seiders et al.
 D814,240 S * 4/2018 Kabalin D7/510
 2010/0288782 A1 * 11/2010 Lin A47G 19/22
 220/752
 2011/0114655 A1 5/2011 Bailey
 2012/0125931 A1 5/2012 Roth et al.
 2013/0186918 A1 7/2013 Menceles et al.
 2014/0374418 A1 12/2014 Ouellette
 2015/0021345 A1 1/2015 Wu
 2015/0266597 A1 9/2015 Hertzog et al.
 2017/0273484 A1 9/2017 Spivey et al.

OTHER PUBLICATIONS

“Hydro Flask Wide Mouth Hydro Flip Lid”. Found online Mar. 9, 2017 at amazon.com. Page dated Oct. 9, 2012. Retrieved from http://www.amazon.com/Hydro-Flask-Wide-Mouth-Black/dp/B01GW2H430/ref=cm_cr_arp_d_product_top?ie=UTF8.
 “Bubba Hero Bottle Replacement Lid”. Found online Mar. 9, 2017 at amazon.com. Page dated Jan. 14, 2015. Retrieved from https://www.amazon.com/bubba-HERO-bottle-replacement-lid/dp/B00QQYDI44/ref=cm_cr_arp_d_product_top?e=UTF8.
 Hydro Flask. Hydro Flip. 2015 [earliest online date], [site visited Apr. 28, 2017]. Available from Internet, <URL:<https://www.hydroflask.com/hydro-flip#92=57>>.
 “Contigo Extreme Stainless Steel Travel Mug”. Found online Mar. 9, 2017 at amazon.com. Page dated Sep. 13, 2016. Retrieved from https://www.amazon.com/Contigo-Extreme-Stainless-Insulated-Limited/dp/B01LZGBMKT/ref=pd_sim_79_3?encoding=UTF8&psc=&refRID=A4VHP8EG6AKH3BG73BMZ.
 Jane. Spill Resistant Flip Lid and Yeti Accessories. Dec. 5, 2016 [earliest online date], [site visited Apr. 28, 2017]. Available from Internet, <URL:<https://jane.com/deal/263319/spill-resistant-flip-lid-and-yeti-accessories-30oz-many-colors>>.
 Aug. 23, 2017—(WO) International Search and Written Opinion—App. PCT/US2017/038341.
 Aug. 23, 2017—(WO) International Search Report and Written Opinion—App. PCT/US20171038344.

* cited by examiner

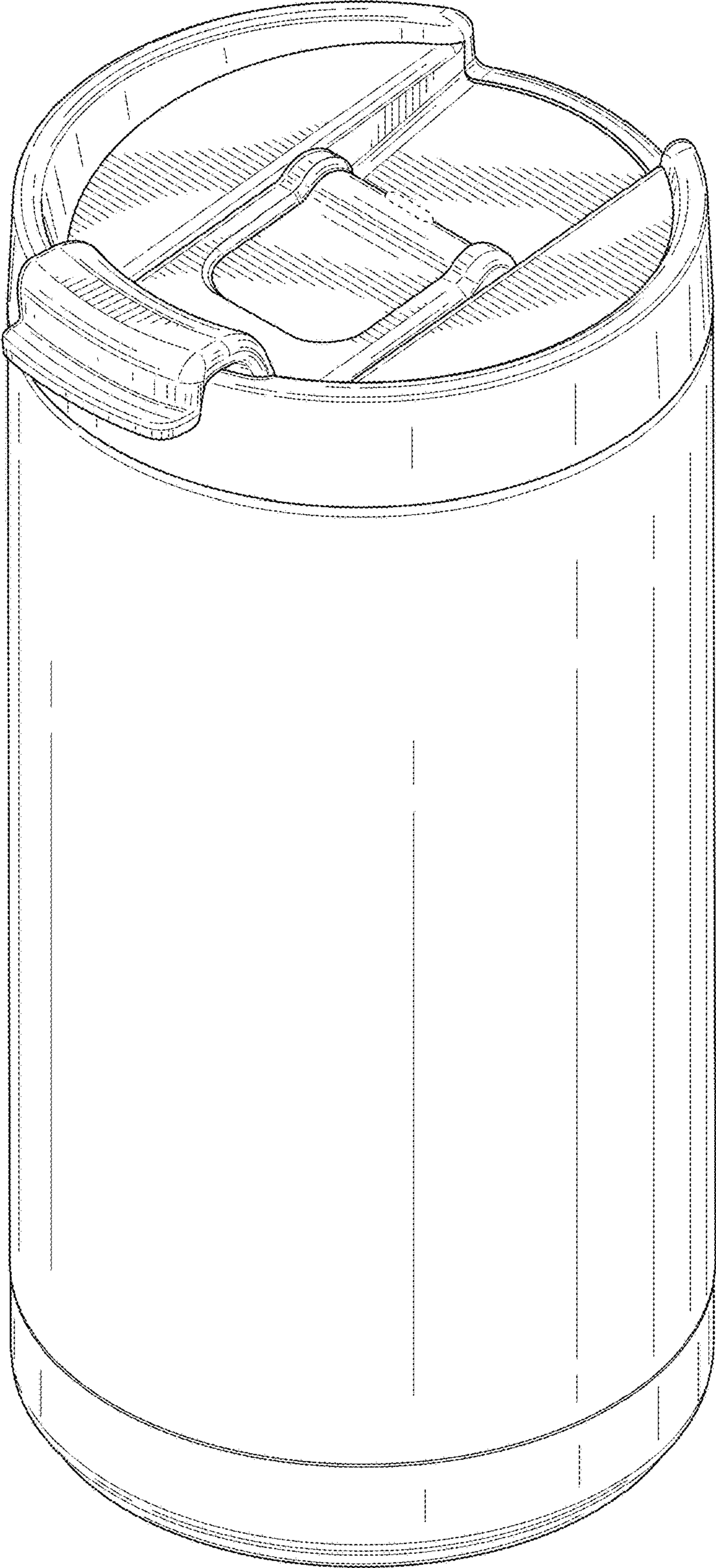


FIG. 1

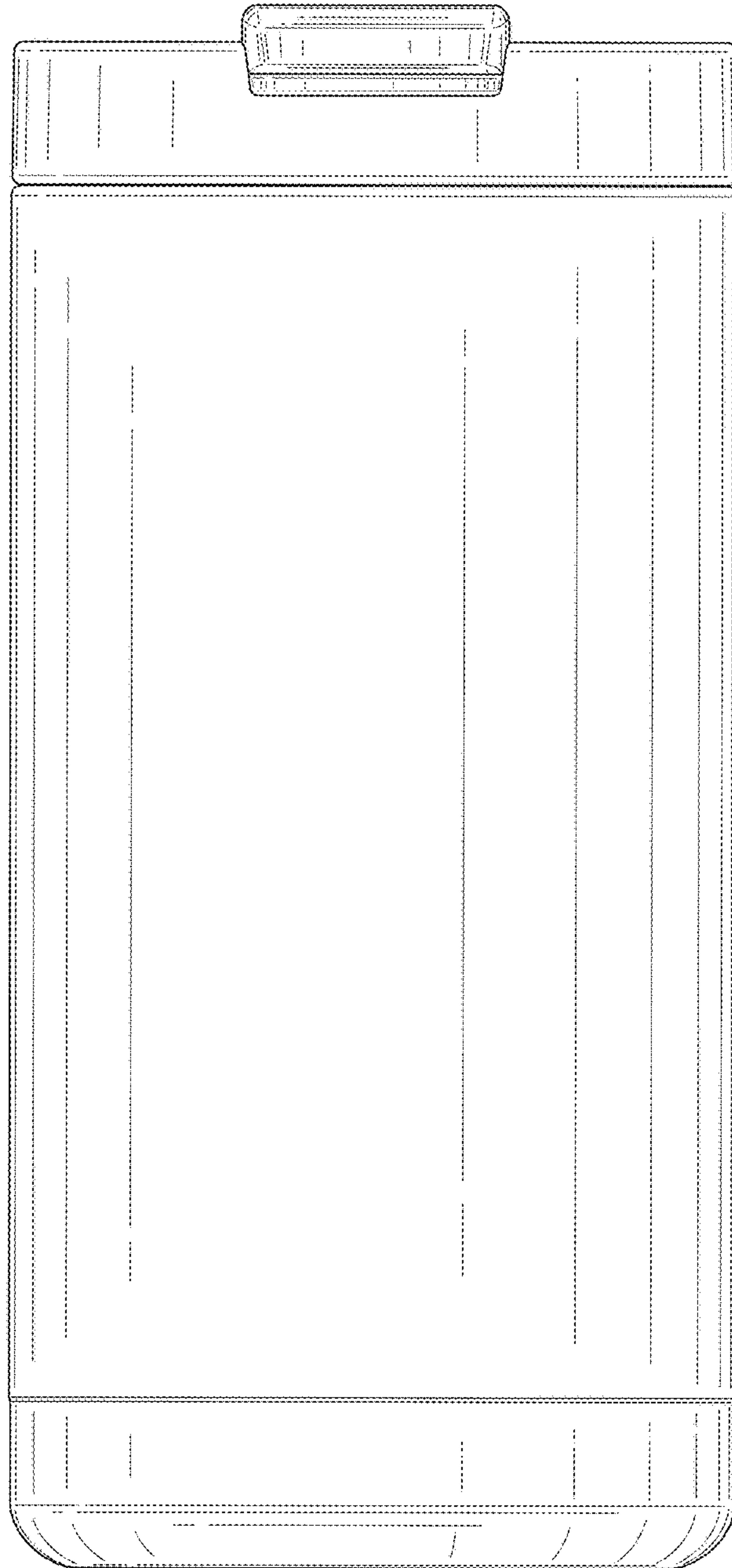


FIG. 2

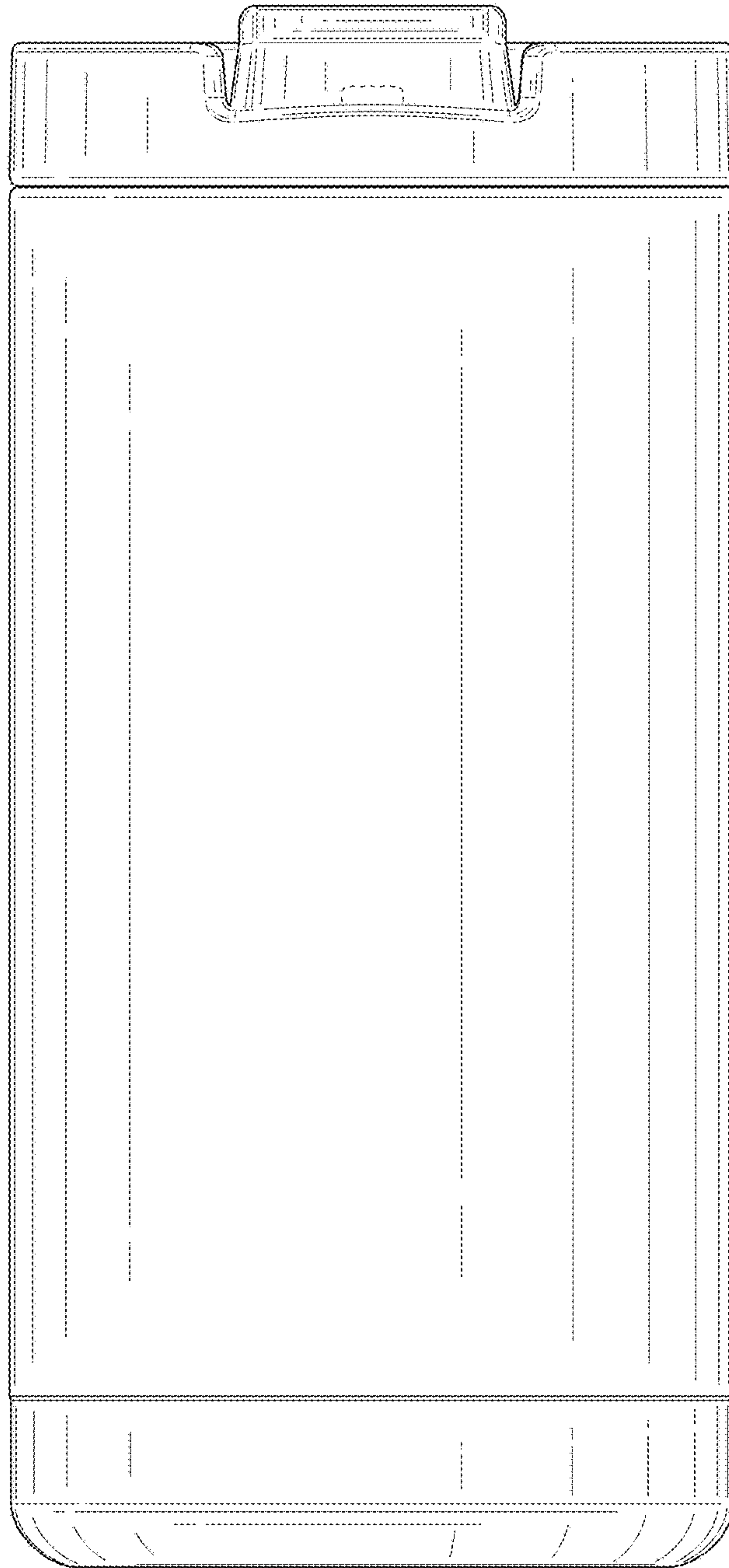


FIG. 3

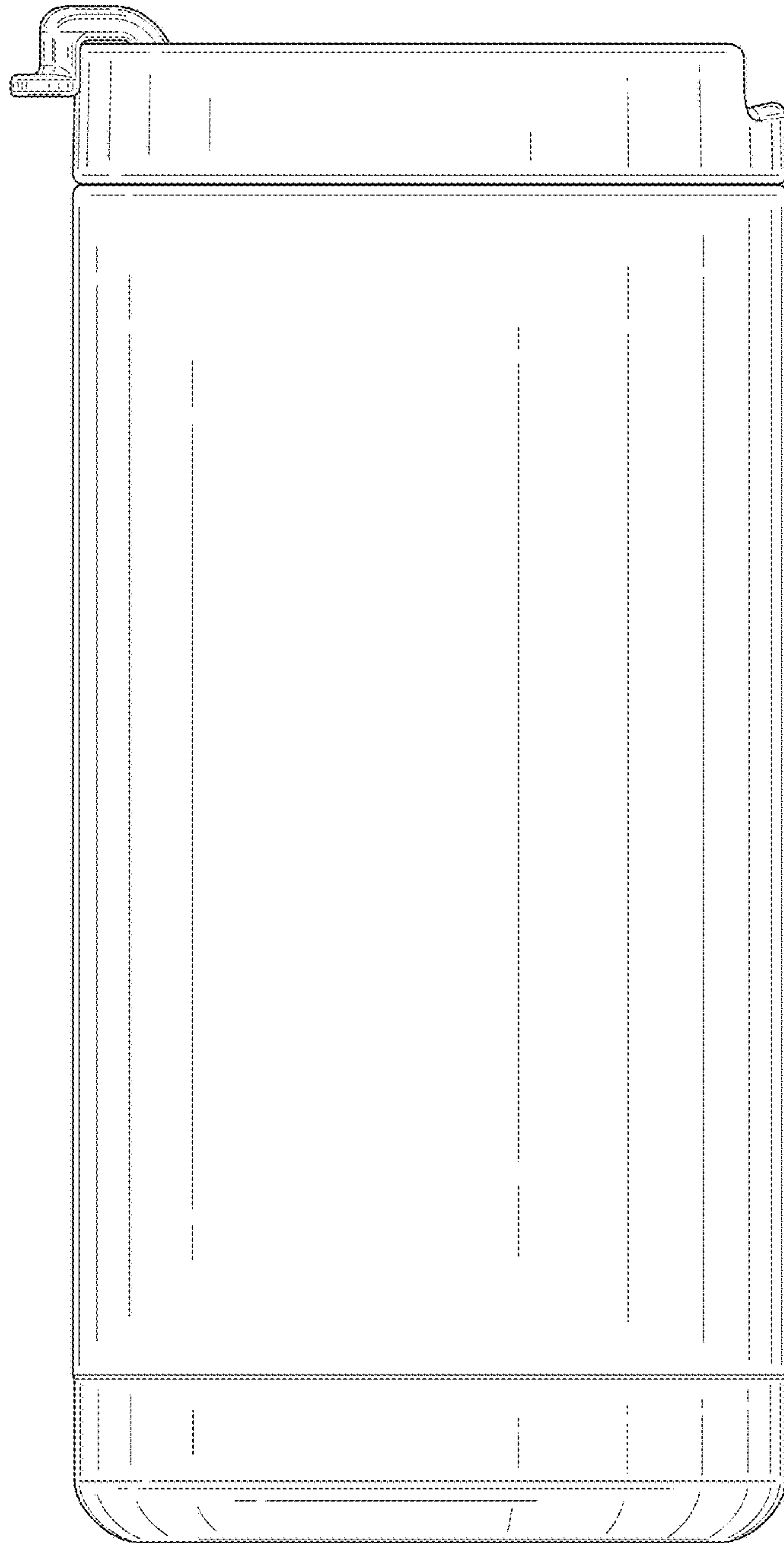


FIG. 4

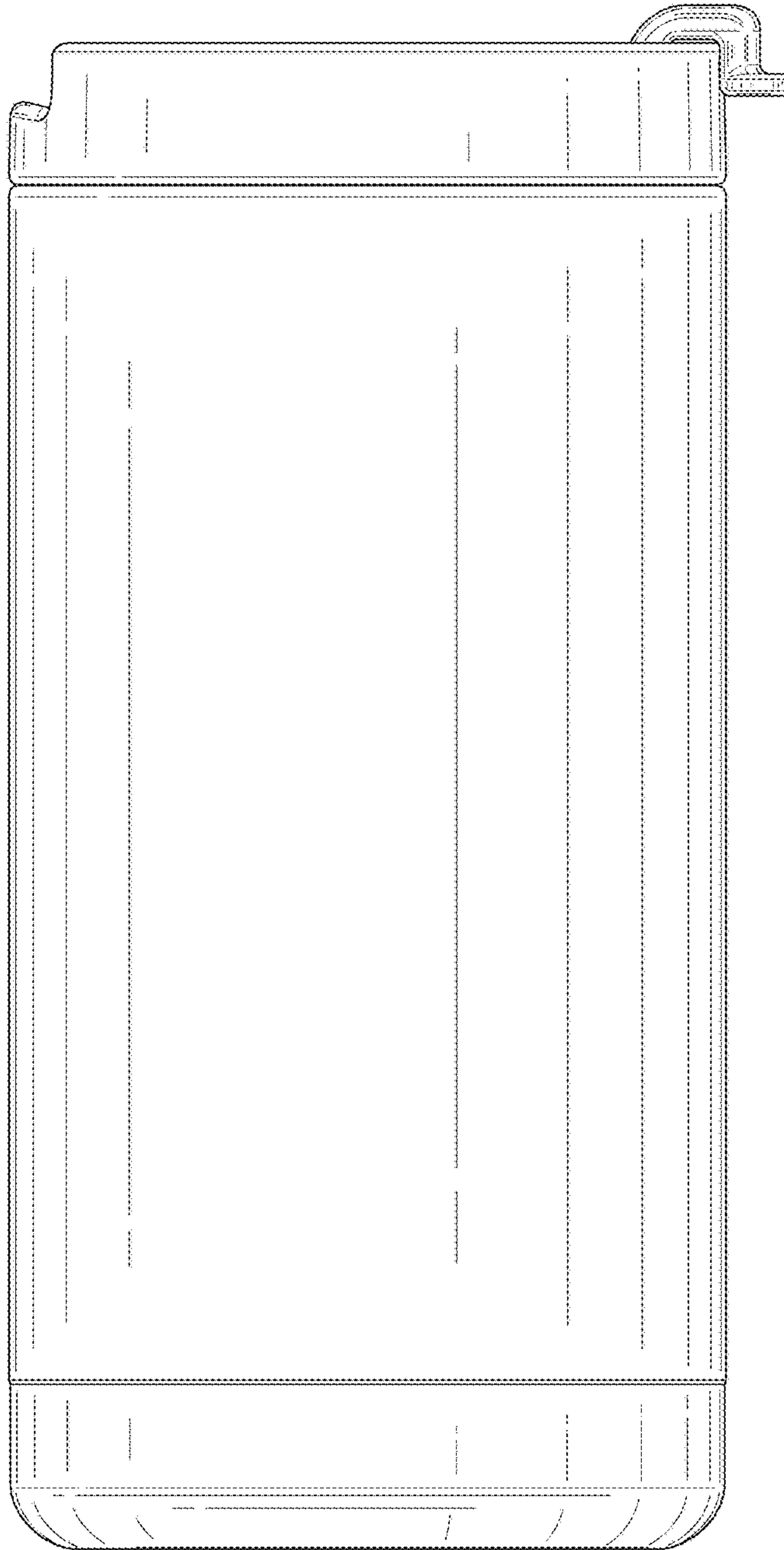


FIG. 5

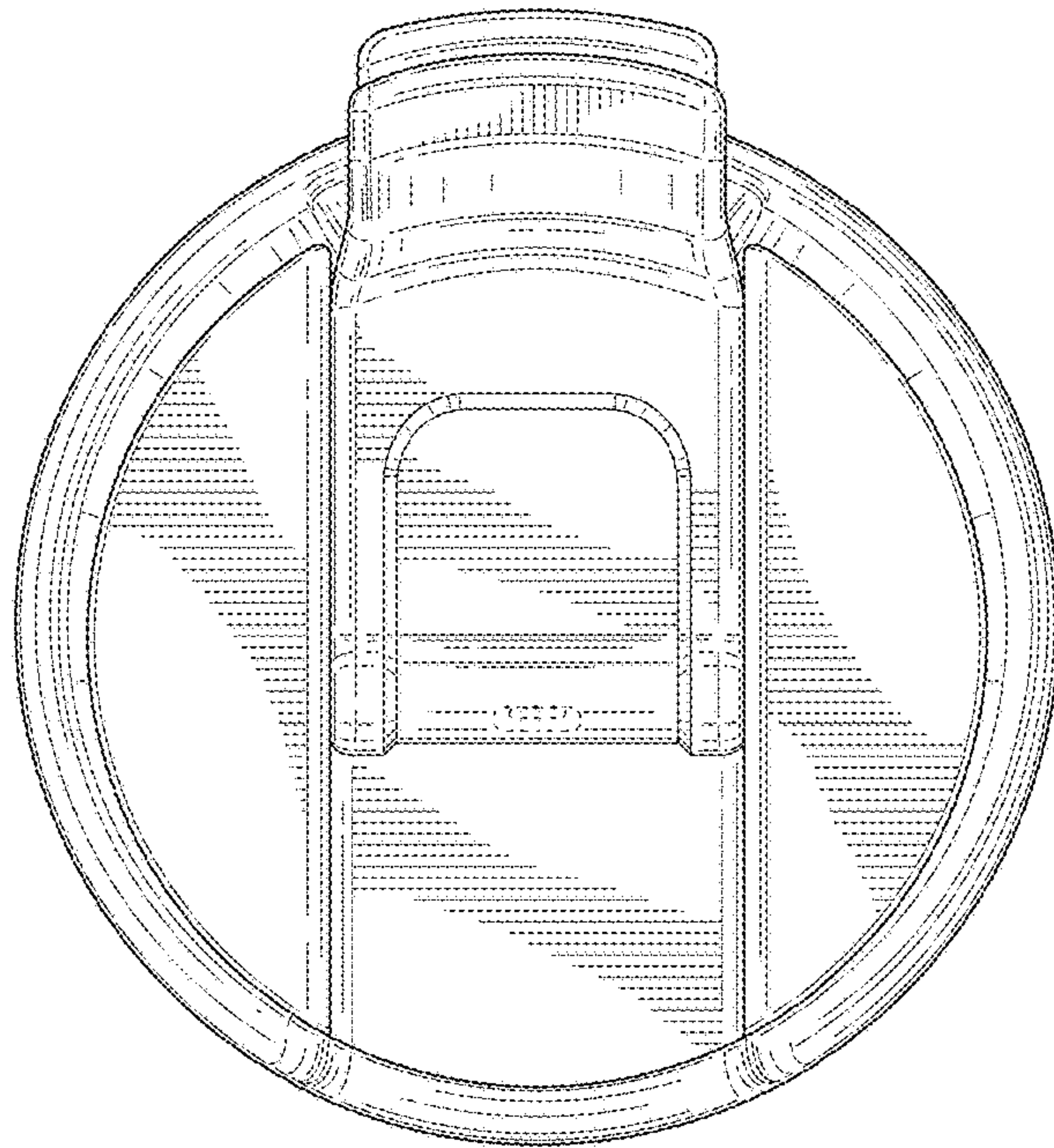


FIG. 6

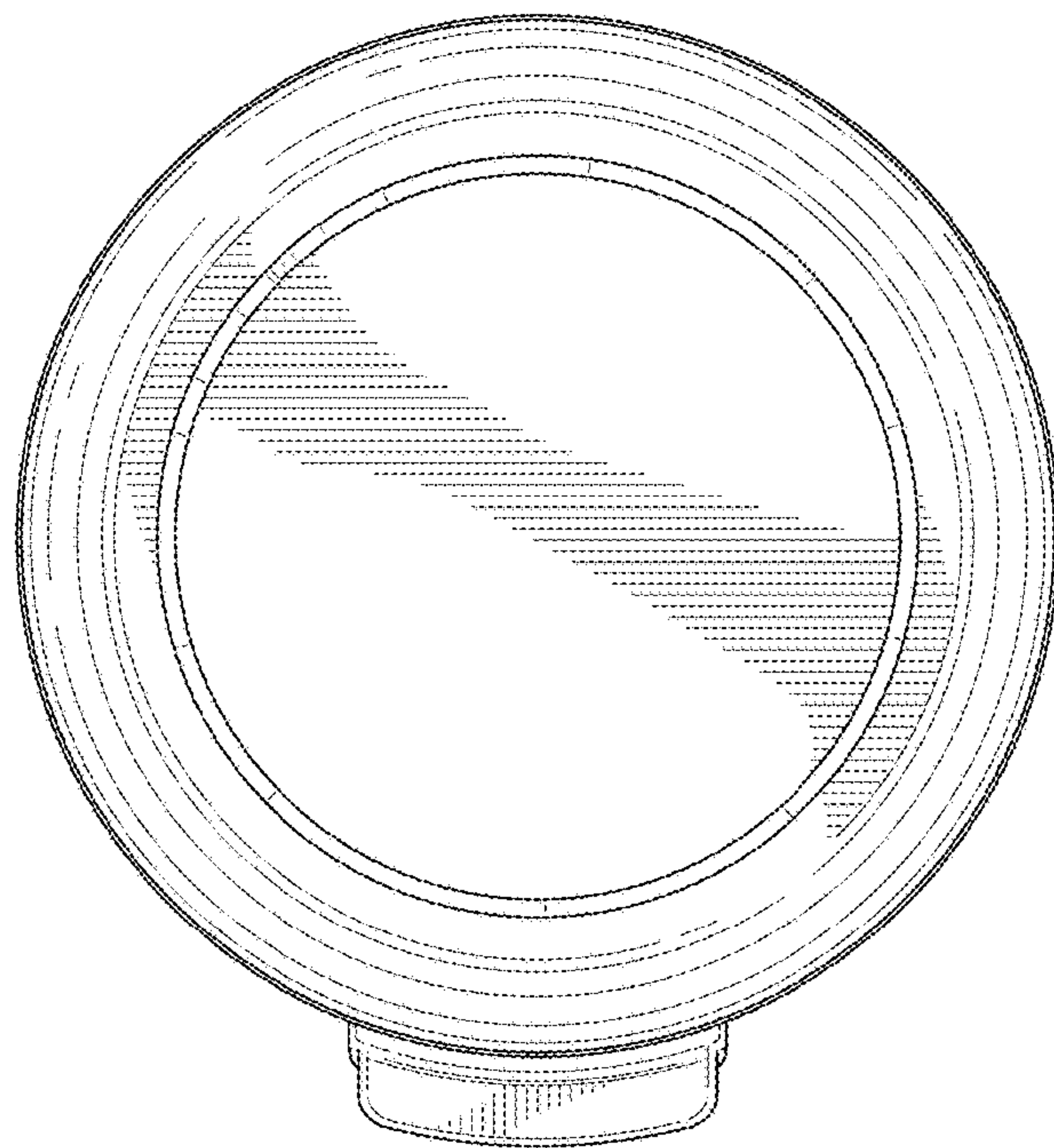


FIG. 7

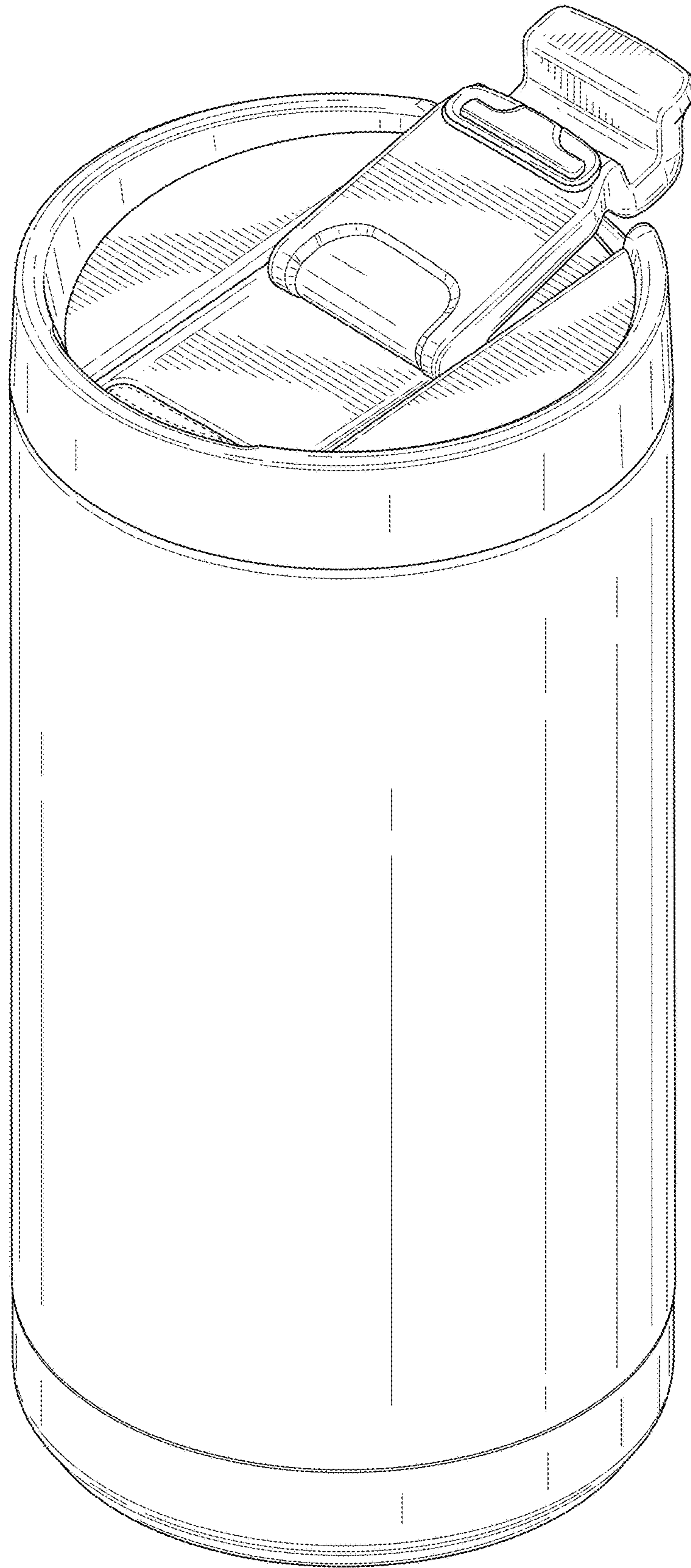


FIG. 8

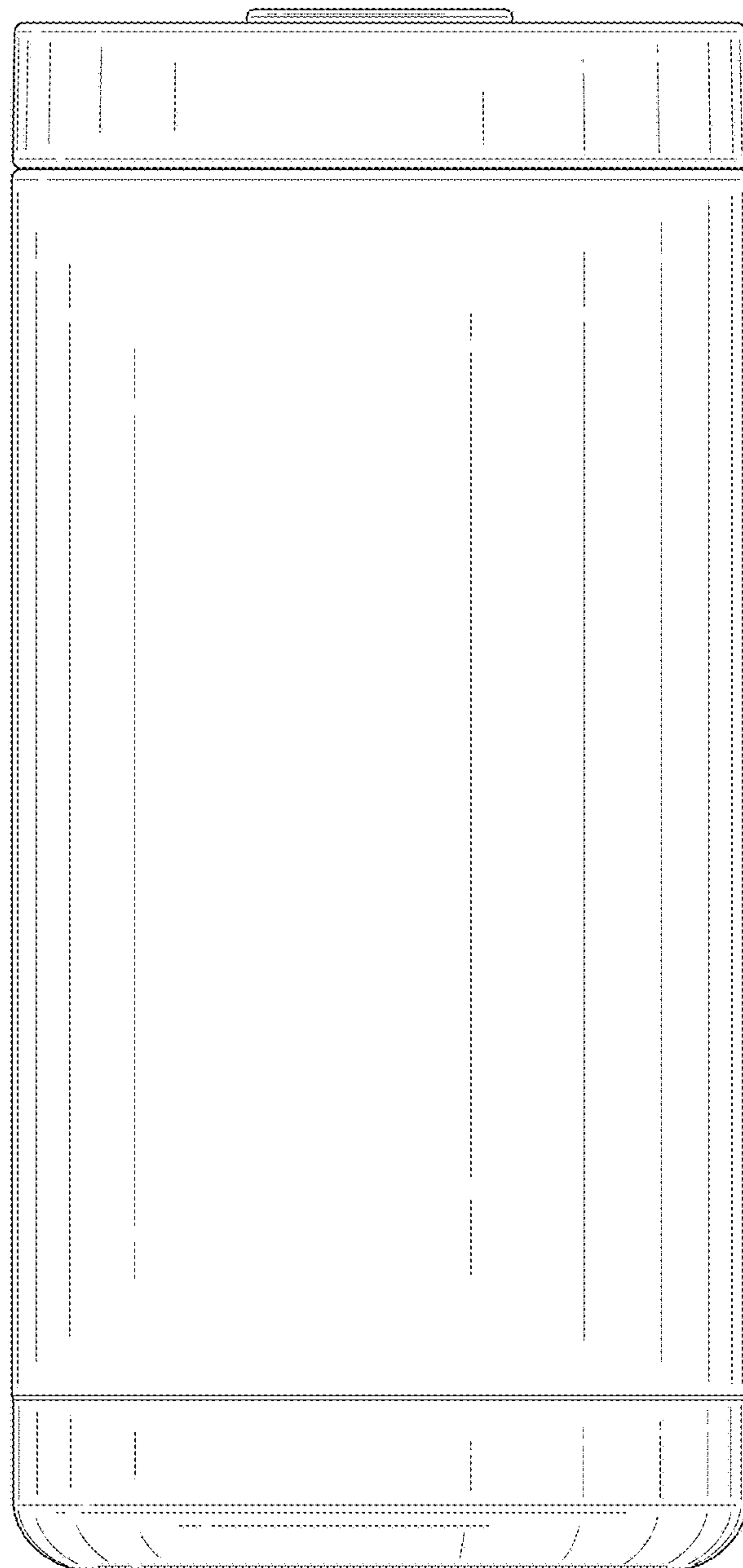


FIG. 9

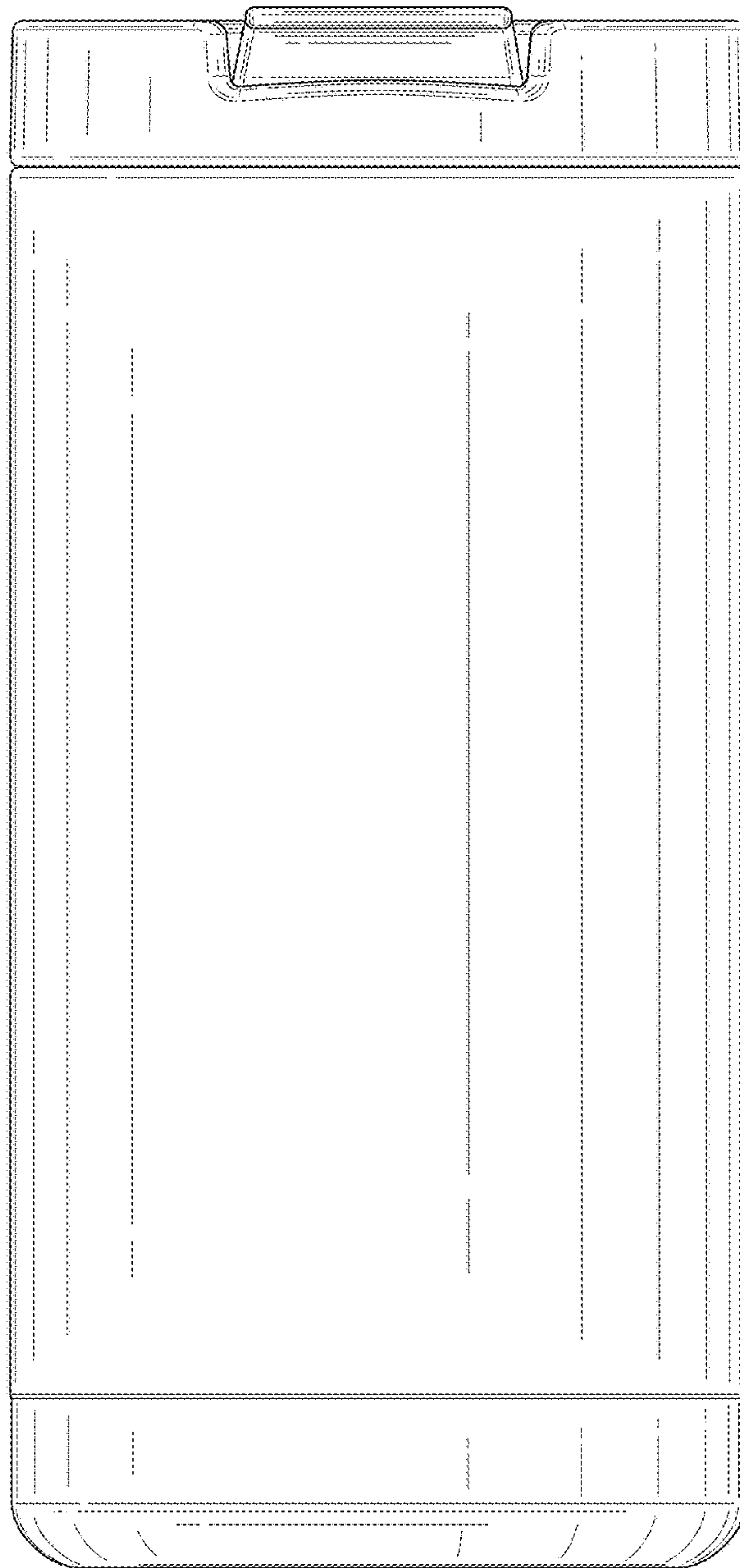


FIG. 10

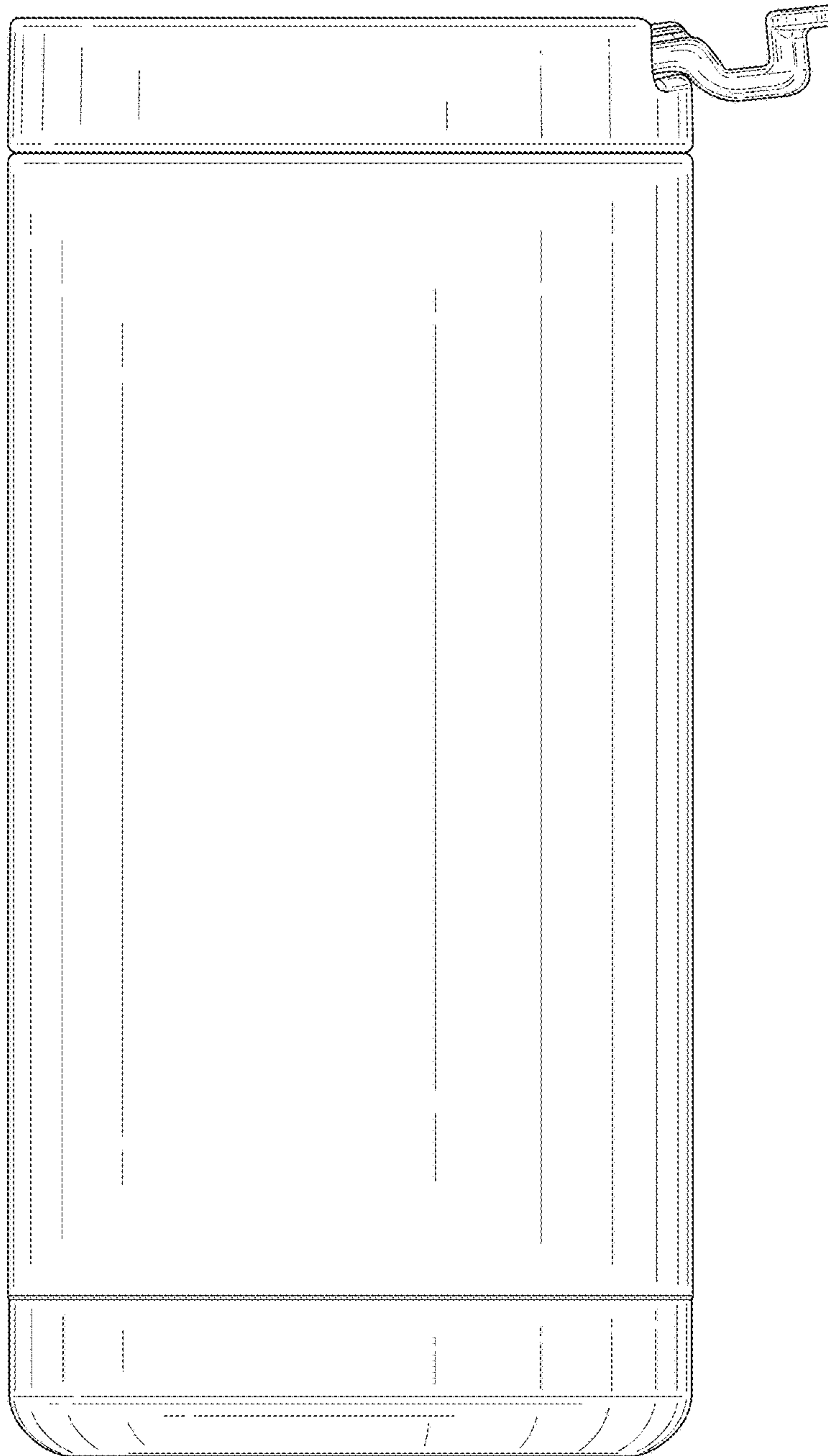


FIG. 11

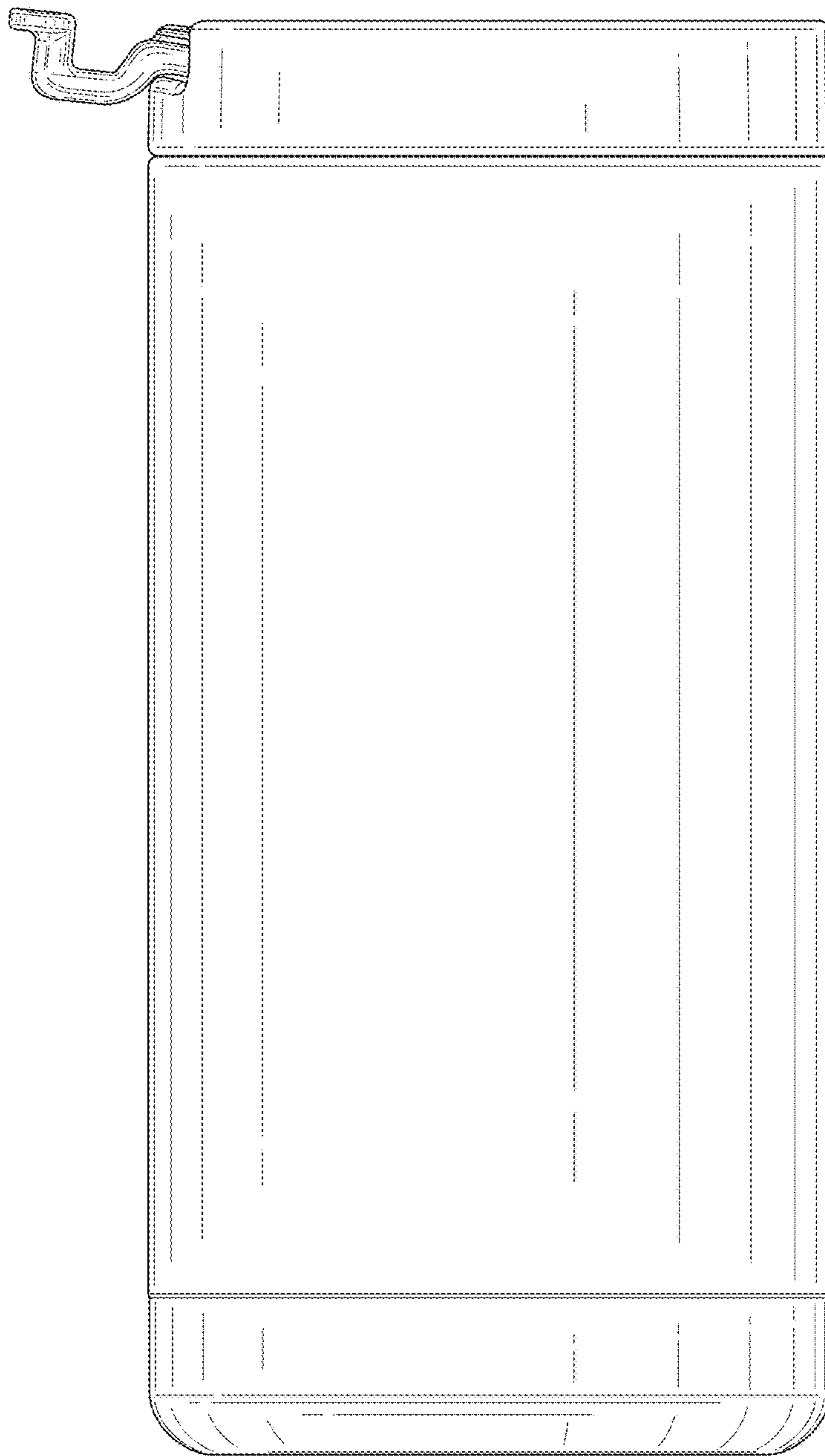


FIG. 12

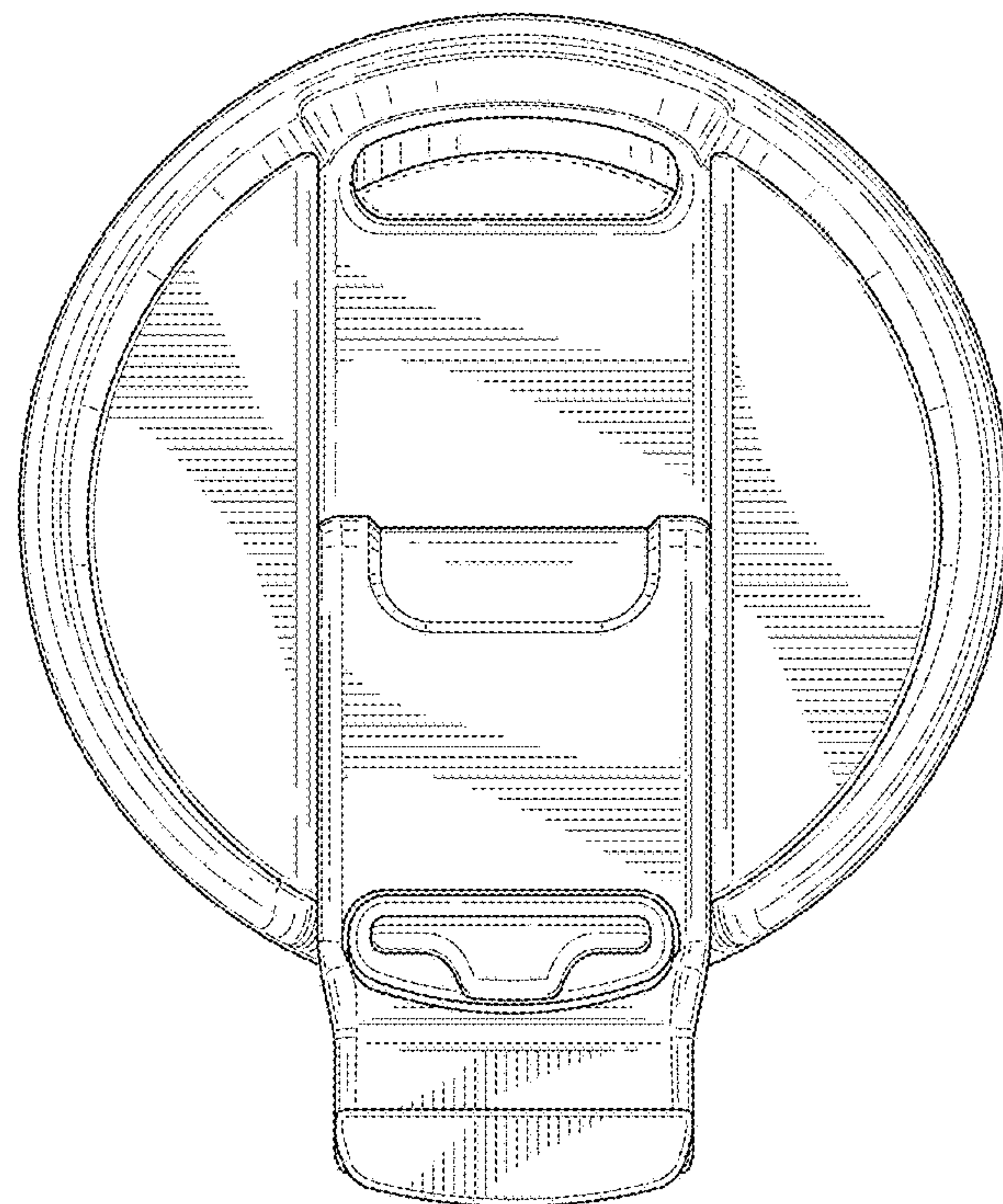


FIG. 13

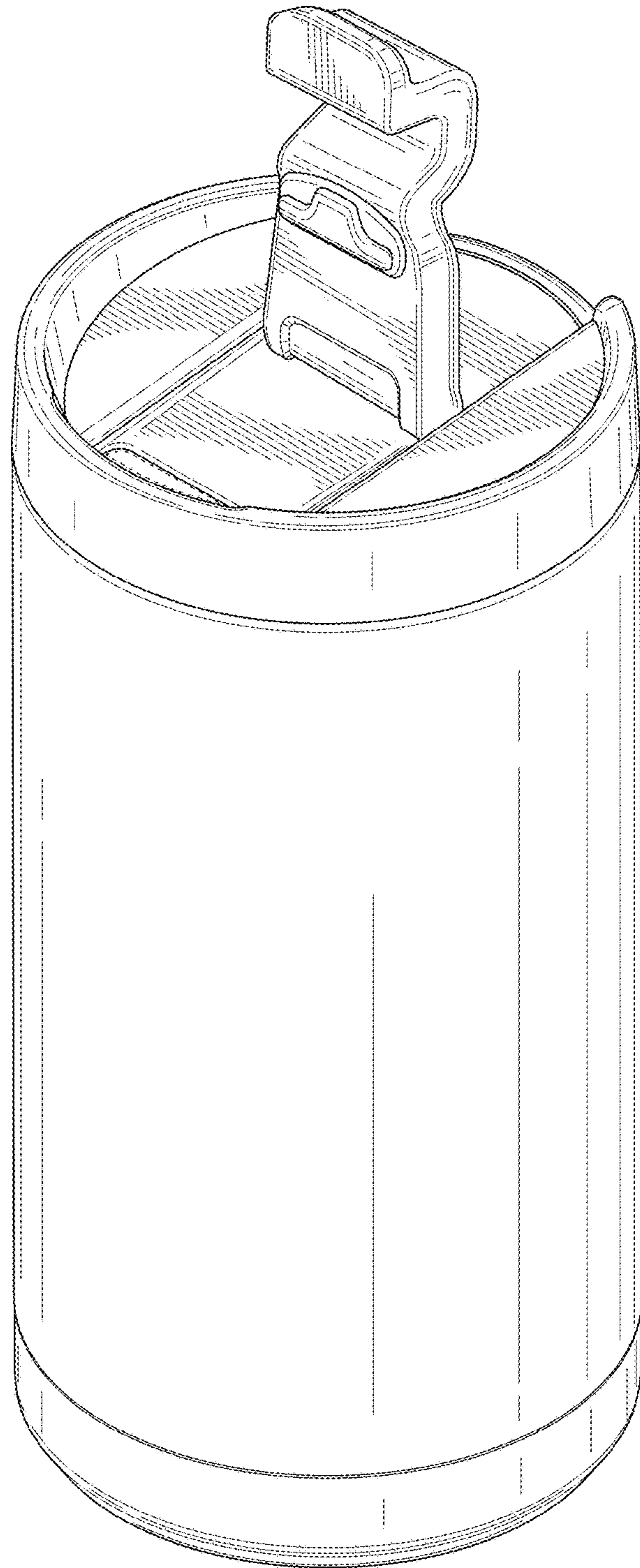


FIG. 14