



US00D836394S

(12) **United States Design Patent**
Blofeld

(10) **Patent No.:** **US D836,394 S**

(45) **Date of Patent:** **** Dec. 25, 2018**

(54) **NUTRIENT CAPSULE FOR AN ELECTRIC VORTEX MIXER**

(71) Applicant: **Whey Forward Health Industries LTD, Cardiff (GB)**

(72) Inventor: **Matthew Blofeld, Cardiff (GB)**

(73) Assignee: **Whey Forward Health Industries LTD, Cardiff (GB)**

(**) Term: **15 Years**

(21) Appl. No.: **29/612,853**

(22) Filed: **Aug. 4, 2017**

(30) **Foreign Application Priority Data**

Jul. 27, 2017 (EM) 004123214-0001

(51) **LOC (11) Cl.** **31-00**

(52) **U.S. Cl.**

USPC **D7/413; D7/376; D7/378; D7/412**

(58) **Field of Classification Search**

USPC **D7/372, 376-386, 412-413, 602, 629, D7/665-666, 669, 679, 693-694; D9/418, 504, 680**

CPC **A21C 1/02; A21C 1/04; A23N 1/00; A23N 1/02; A47J 43/04; A47J 43/25; A47J 43/27; A47J 43/042; A47J 43/044; A47J 43/046; A47J 43/075; A47J 43/0722; A47J 43/0727; B01F 3/00; B01F 3/0807; B01F 3/0853; B01F 13/0059; B01F 13/0064; B02C 1/08; B02C 2/04; B02C 4/42; B02C 4/142; B02C 4/143; B02C 4/423; B02C 13/1835; B28C 5/10; B28C 5/12; B28C 5/14; B28C 5/16; A47G 23/0241; H01J 9/385**

See application file for complete search history.

(56) **References Cited**

U.S. PATENT DOCUMENTS

2,433,248 A * 12/1947 Sweier, Jr. A47J 43/27
366/130

2,657,846 A * 11/1953 Schmalz H01J 9/385
141/113
D221,978 S * 9/1971 Daenen H01J 9/385
D7/503
D318,222 S * 7/1991 Hsiung D9/418
D364,804 S * 12/1995 Pedersen-Rask D9/418
5,794,904 A * 8/1998 Hackley A47G 23/0241
248/311.3
D487,668 S * 3/2004 Sands D7/378
D518,727 S * 4/2006 Haley D22/116
D554,426 S * 11/2007 Sands D7/378
D612,667 S * 3/2010 Klotz D7/381
D616,304 S * 5/2010 Prunier D9/504
D681,393 S * 5/2013 Agarwal D7/213
D801,108 S * 10/2017 Pan A47J 43/27
D7/378

* cited by examiner

Primary Examiner — Ricky Pham

(74) *Attorney, Agent, or Firm* — Swanson & Bratschun, L.L.C.

(57)

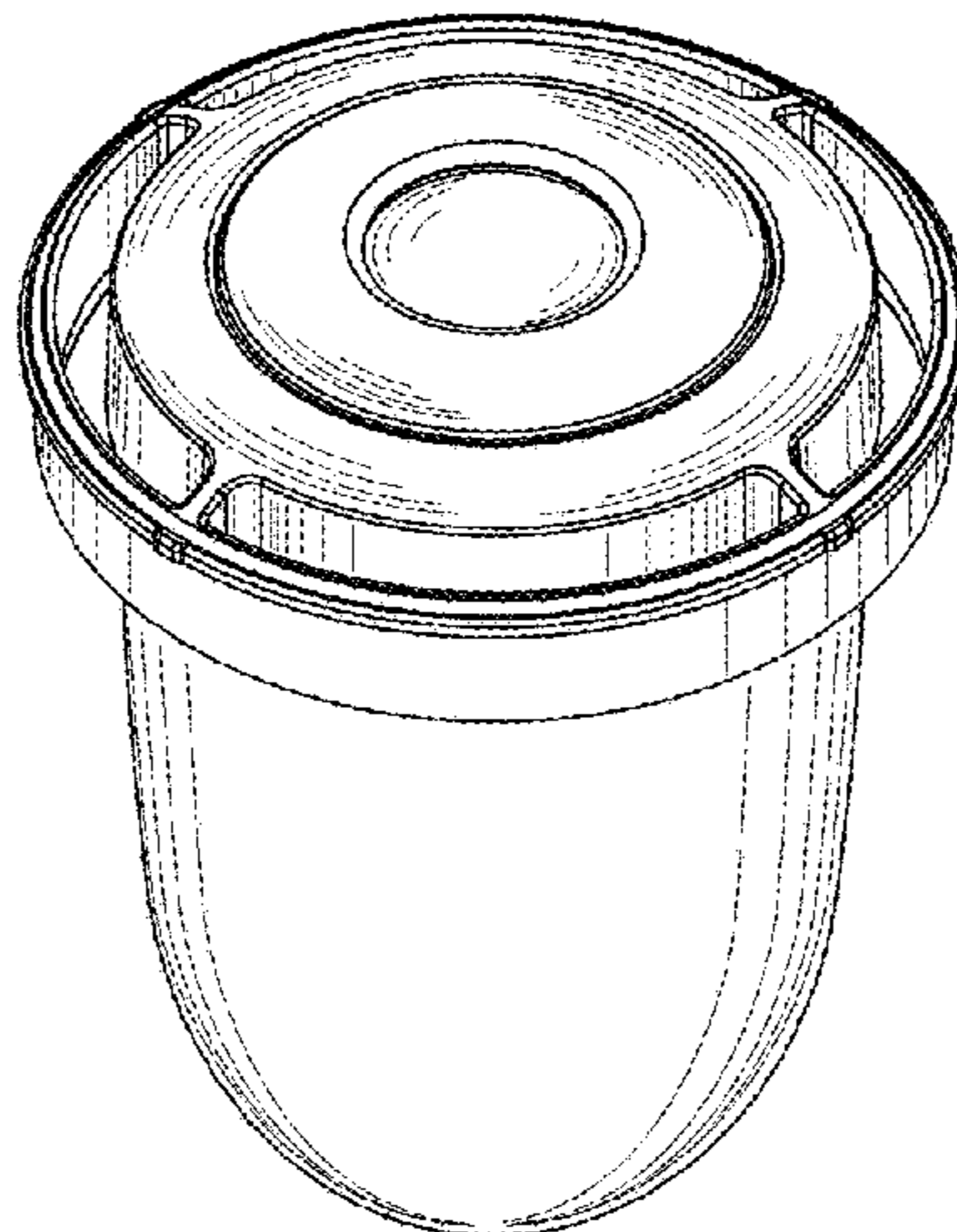
CLAIM

The ornamental design for a nutrient capsule for an electric vortex mixer, as shown and described.

DESCRIPTION

FIG. 1 is a perspective view of a nutrient capsule for an electric vortex mixer that embodies the present design; FIG. 2 is a left side elevation view thereof; FIG. 3 is a right side elevation view thereof; FIG. 4 is a front elevation view thereof; FIG. 5 is a rear elevation view thereof; FIG. 6 is a top plan view thereof; and, FIG. 7 is a bottom plan view thereof.

1 Claim, 7 Drawing Sheets



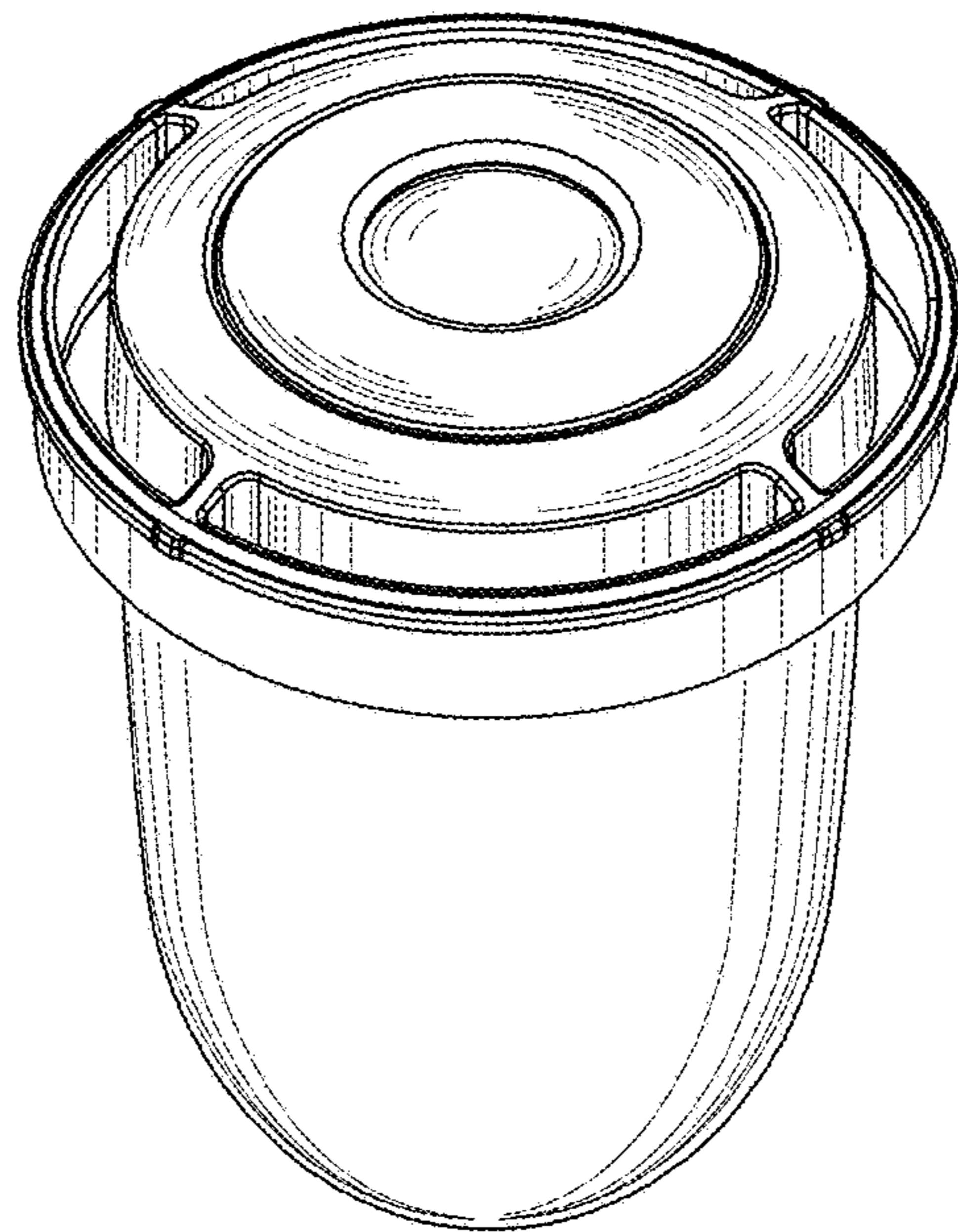


FIG. 1

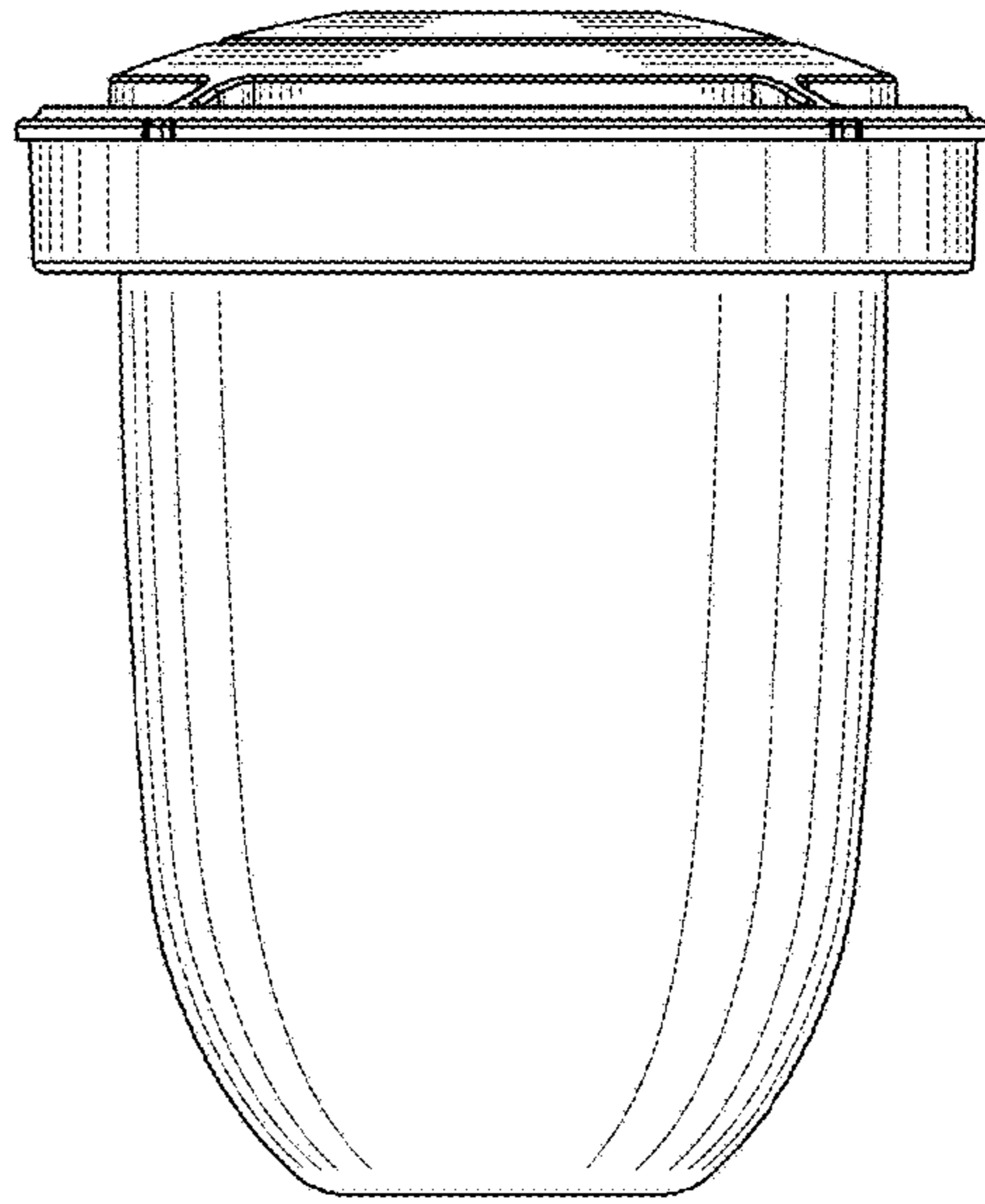


FIG. 2

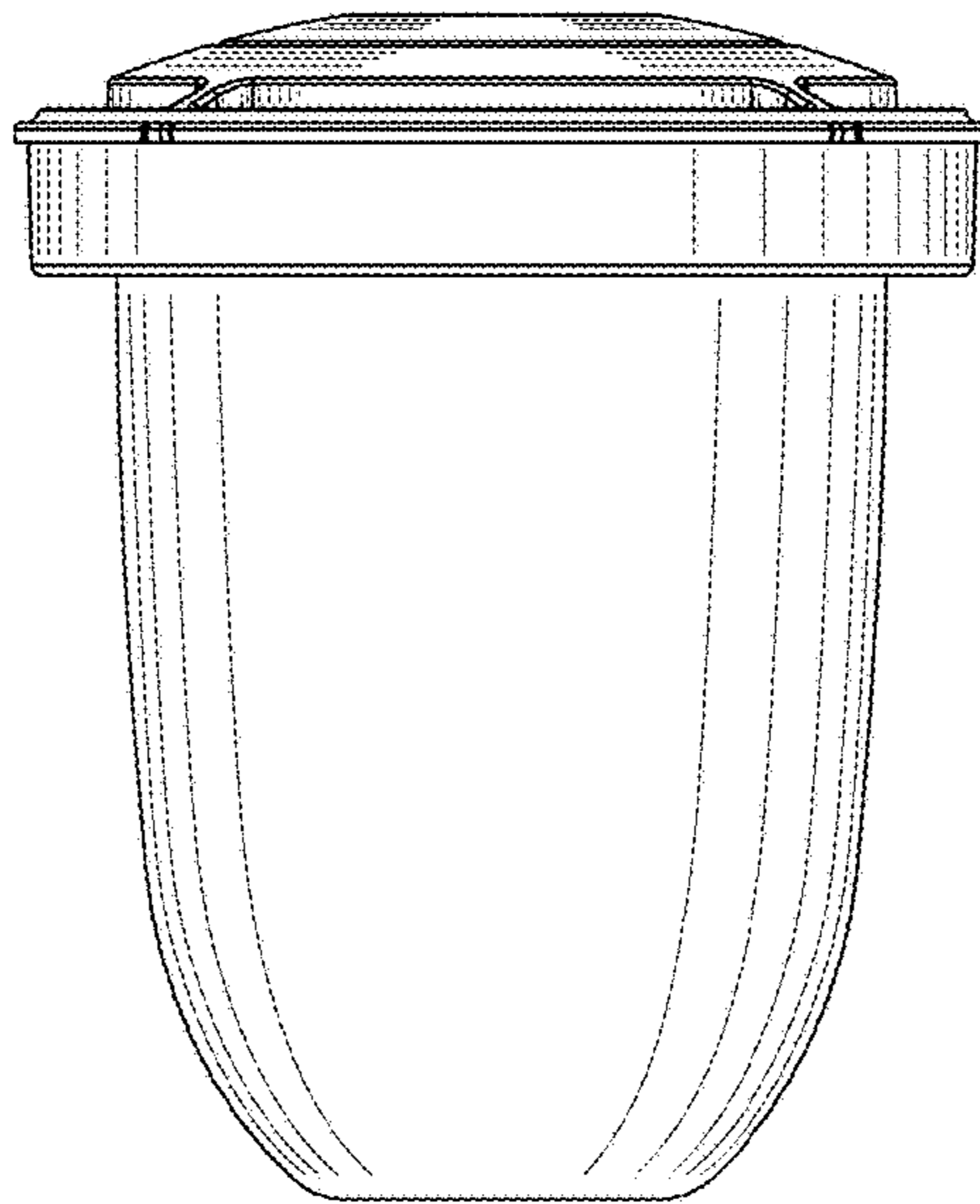


FIG. 3

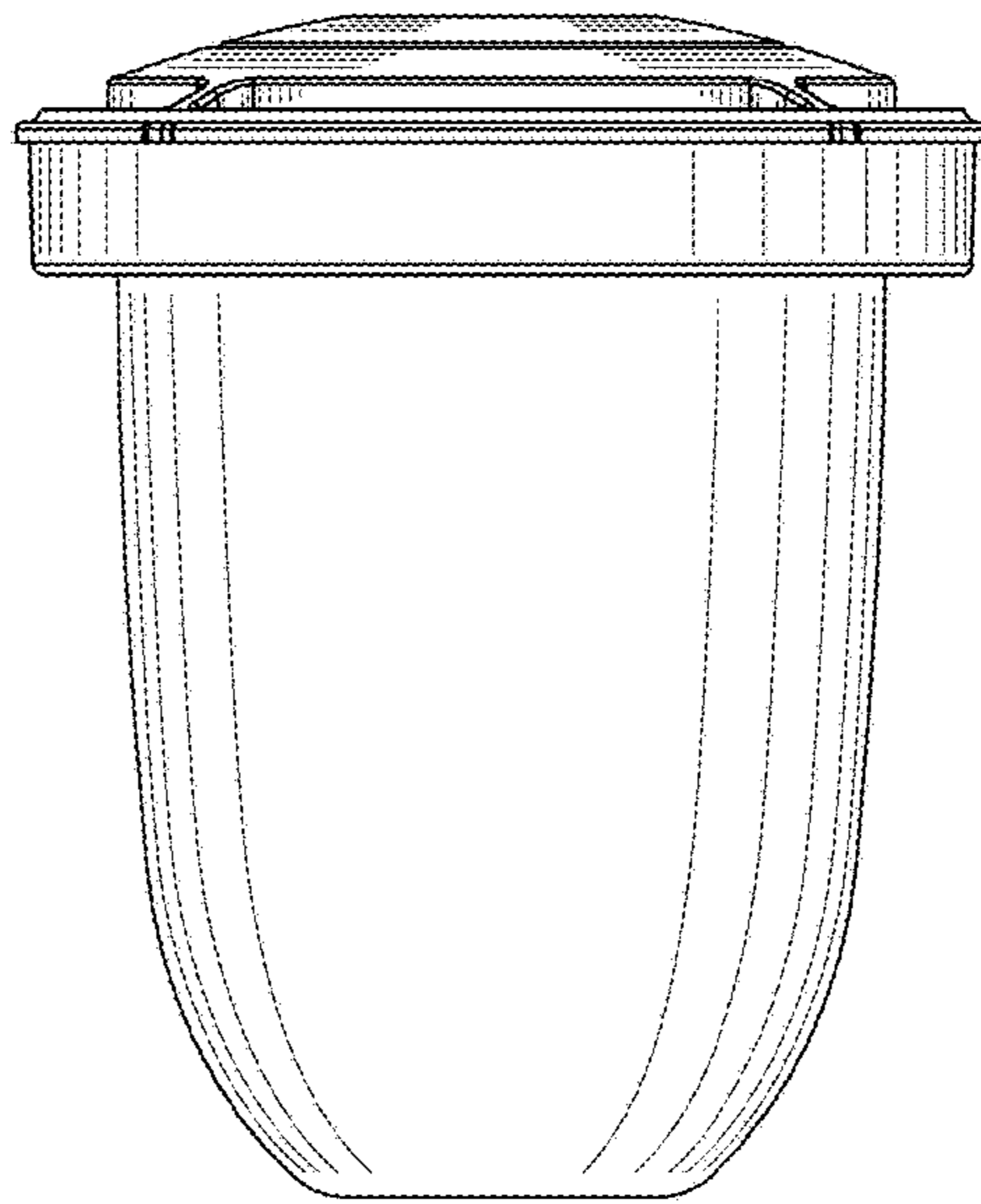


FIG. 4

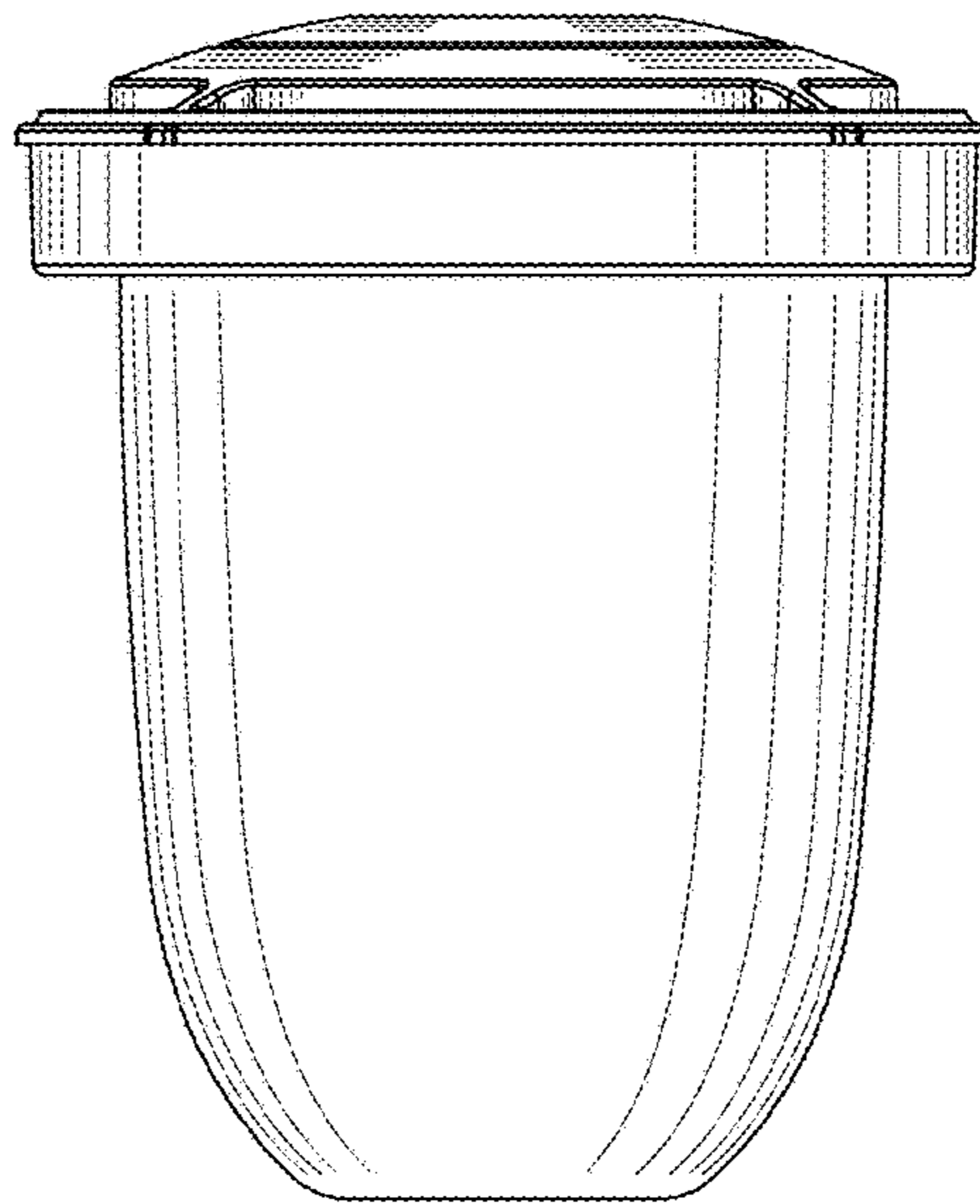


FIG. 5

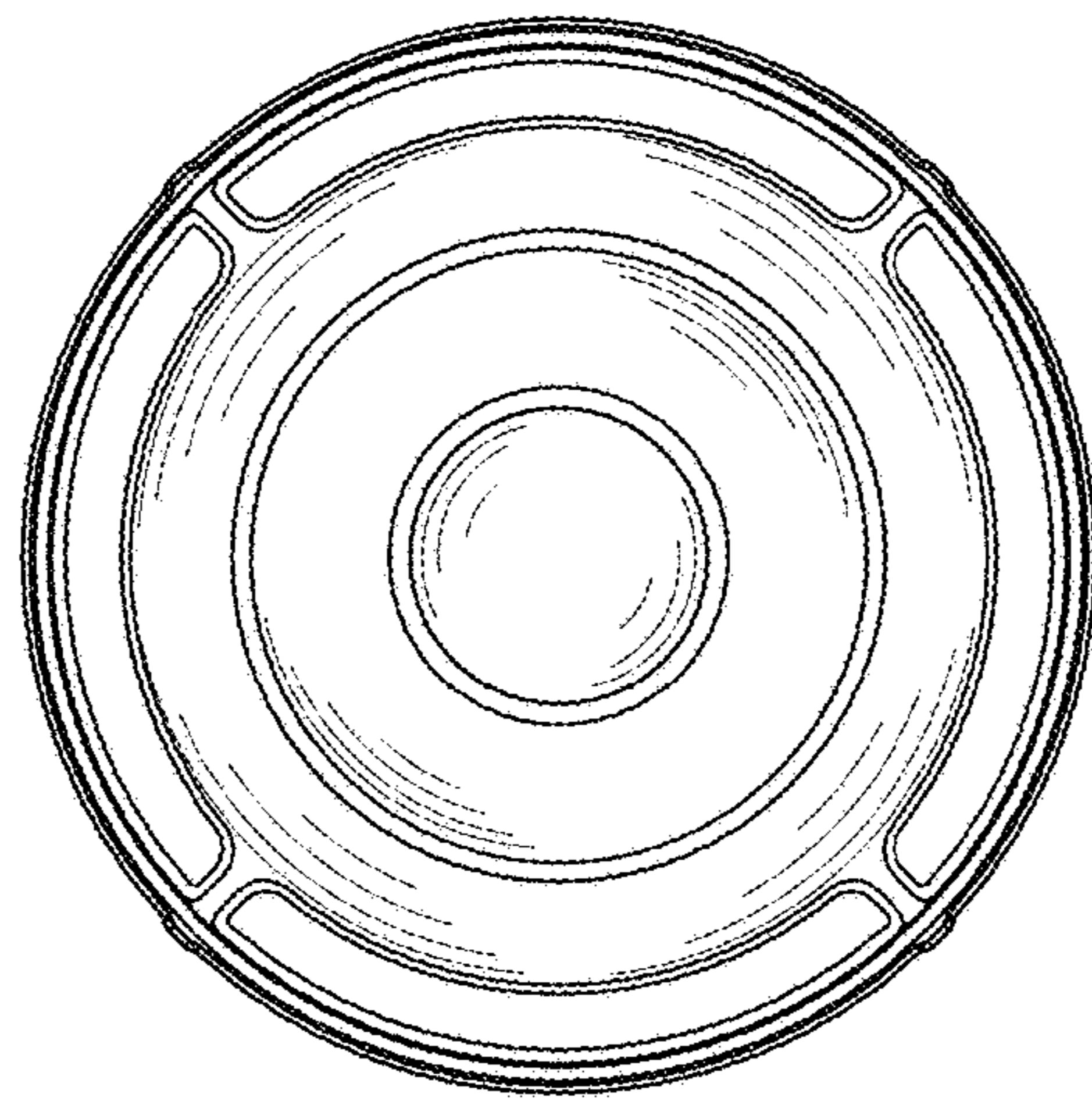


FIG. 6

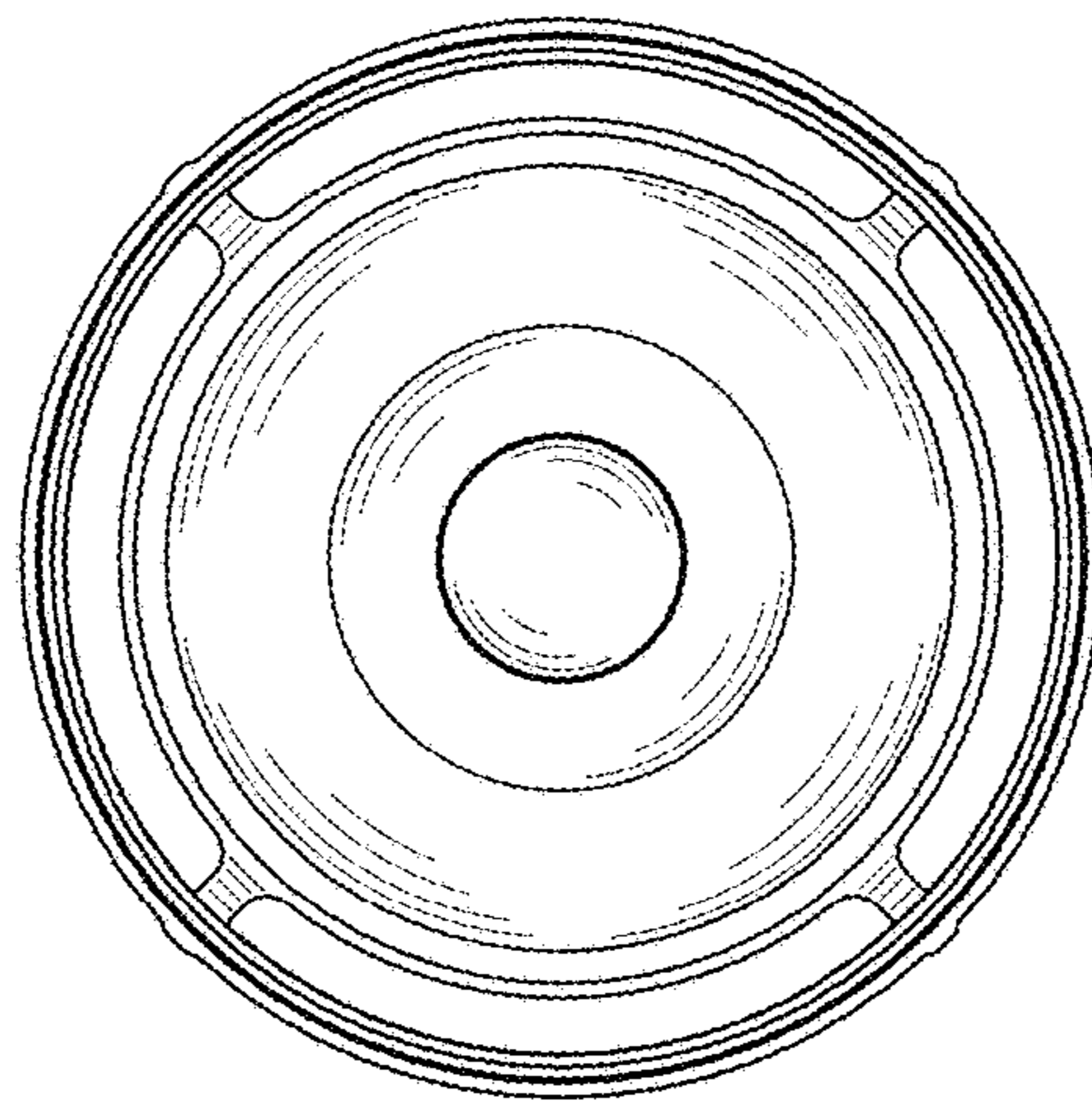


FIG. 7