



US00D836392S

(12) **United States Design Patent** (10) **Patent No.:** **US D836,392 S**
Liming et al. (45) **Date of Patent:** **** Dec. 25, 2018**

(54) **PLASTIC CUTLERY HANDLE** D467,658 S * 12/2002 Goodwin A61B 17/3211
D24/133
(71) Applicant: **Huhtamaki, Inc.**, De Soto, KS (US) D479,103 S 9/2003 McMullin
D554,952 S 11/2007 Smith
(72) Inventors: **Michael A. Liming**, New Vienna, OH D555,433 S 11/2007 Koennecke
(US); **Gregory L. Webb**, Wilmington, D557,083 S * 12/2007 Medling D7/653
OH (US) D572,543 S 7/2008 Koennecke
D634,577 S 3/2011 Oakes
D634,974 S 3/2011 Oakes
(73) Assignee: **HUHTAMAKI, INC.**, De Soto, KS D675,868 S 2/2013 Liming et al.
(US) D686,467 S * 7/2013 Barnett D7/401.2
D686,889 S 7/2013 Dang
(**) Term: **15 Years** D699,315 S * 2/2014 Seeds D22/118
D700,022 S * 2/2014 Stanford D7/401.2
(21) Appl. No.: **29/617,650** D700,811 S * 3/2014 Lin D7/401.2
D717,111 S * 11/2014 Wang D7/401.2

(Continued)

(22) Filed: **Sep. 15, 2017**
(51) **LOC (11) Cl.** **07-03**
(52) **U.S. Cl.**
USPC **D7/401.2**; D7/642; D7/649; D7/650;
D7/653

(58) **Field of Classification Search**
USPC D7/349, 368, 395, 401.2, 642-645,
D7/653-664, 669, 675-677, 683,
D7/688-689, 691; D8/22, 99, 107,
D8/300-301; D22/117-118; D24/147
CPC ... A01D 9/02; A01D 9/04; A01D 9/06; A47G
21/00; A47G 21/004; A47G 21/005;
A47G 21/02; A47G 21/023; A47G 21/04;
A47G 21/06; A47G 21/08; A47J 43/28;
A47J 43/281; A47J 43/282; A61F 13/10;
A61J 7/0023; B25G 1/00; B25G 1/01;
B25G 1/02; B25G 3/00; B65D 75/56;
B65D 75/563; B65D 75/566; B67B 7/00;
B67B 7/724; B67B 7/73
See application file for complete search history.

(56) **References Cited**
U.S. PATENT DOCUMENTS
D21,614 S * 6/1892 McLeod D7/395
D436,813 S * 1/2001 Kobayashi D8/22

Primary Examiner — Ricky Pham
(74) Attorney, Agent, or Firm — Husch Blackwell LLP

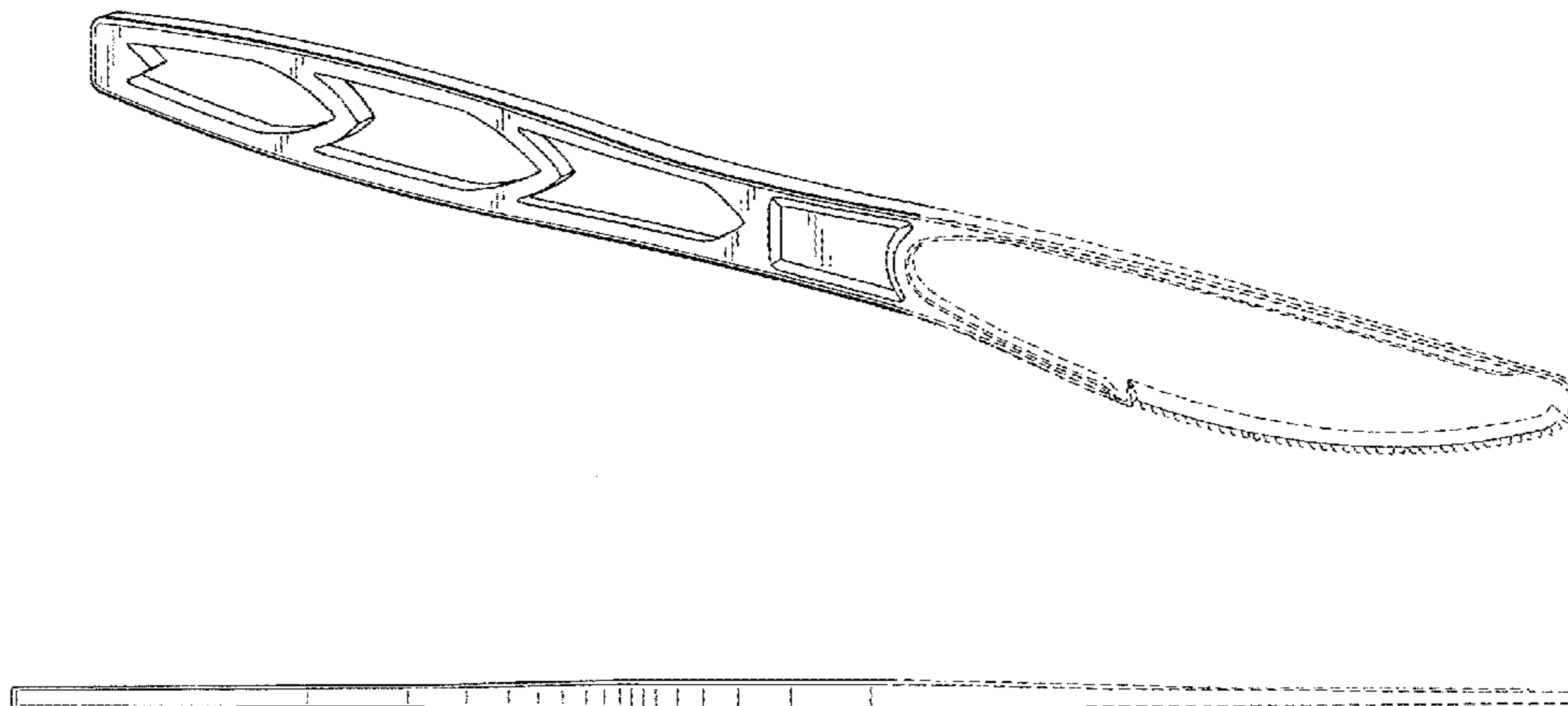
(57) **CLAIM**

The ornamental design for a plastic cutlery handle, as shown and described.

DESCRIPTION

FIG. 1 is a perspective view of a plastic cutlery handle showing the new design;
FIG. 2 is a top plan view of the design shown in FIG. 1;
FIG. 3 is a right side elevational view of the design shown in FIG. 1;
FIG. 4 is a left side elevational view of the design shown in FIG. 1;
FIG. 5 is a bottom plan view of the design shown in FIG. 1;
FIG. 6 is a front elevational view of the design shown in FIG. 1; and,
FIG. 7 is a rear elevational view of the design shown in FIG. 1.
The broken lines shown in the drawings are for illustrative purposes only and form no part of the claimed design.

1 Claim, 2 Drawing Sheets



(56)

References Cited

U.S. PATENT DOCUMENTS

D717,112 S * 11/2014 Wang D7/401.2
D737,110 S * 8/2015 Schuft D8/99
D770,217 S * 11/2016 Yang D7/349
D770,219 S * 11/2016 Yang D7/349
2008/0184526 A1 8/2008 Bugatti
2008/0256806 A1 10/2008 Medling et al.
2009/0019709 A1 1/2009 Fisher et al.

* cited by examiner

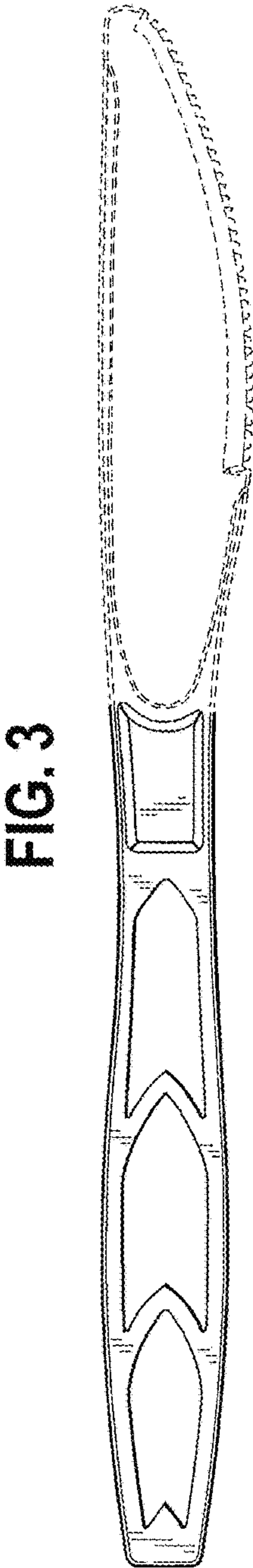
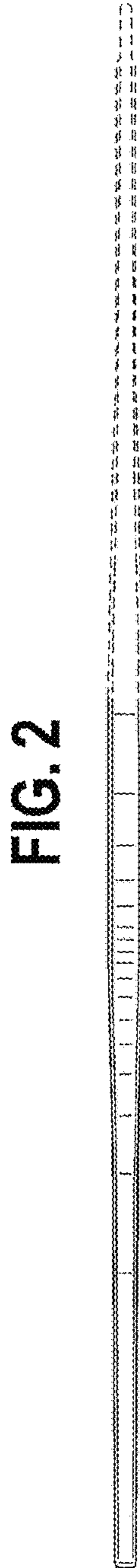
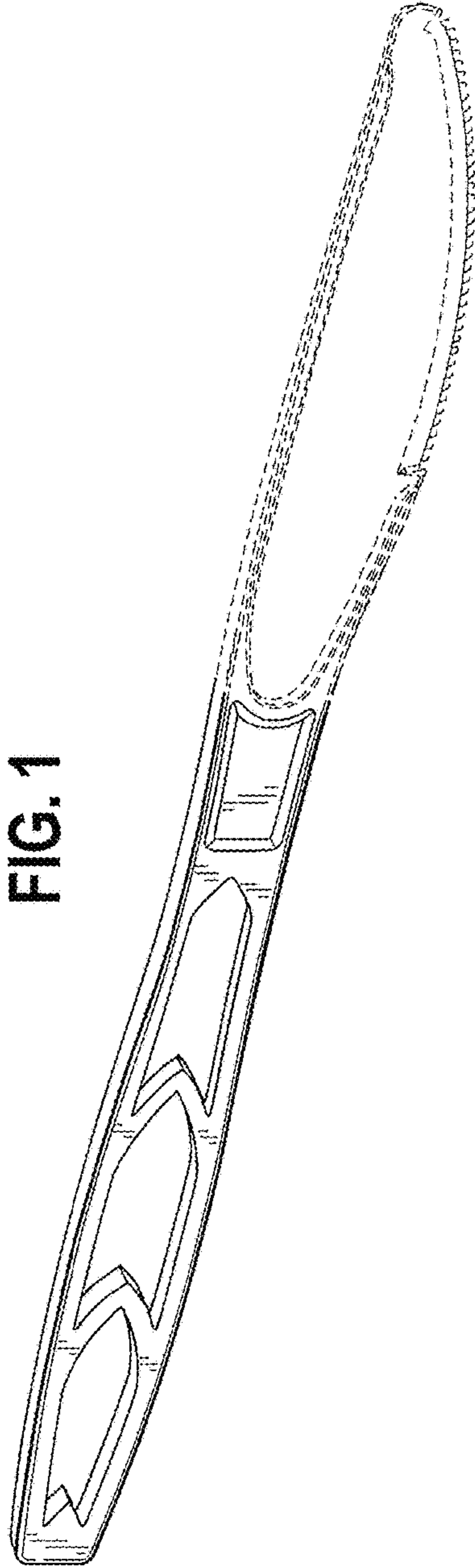


FIG. 4

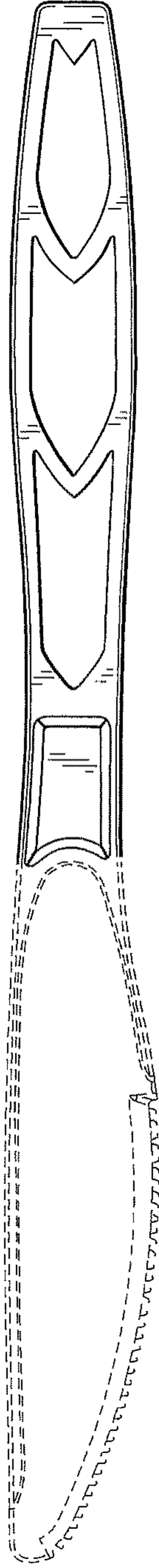


FIG. 5



FIG. 6



FIG. 7

