



US00D836390S

(12) **United States Design Patent** (10) **Patent No.:** **US D836,390 S**
Zemel (45) **Date of Patent:** **** Dec. 25, 2018**

(54) **UTENSIL HANDLE**

(71) Applicant: **Mr. Bar-B-Q Products LLC**, Melville, NY (US)

(72) Inventor: **Marc Zemel**, Melville, NY (US)

(73) Assignee: **MR. BAR-B-Q PRODUCTS LLC**, Melville, NY (US)

(**) Term: **15 Years**

(21) Appl. No.: **29/617,483**

(22) Filed: **Sep. 14, 2017**

(51) **LOC (11) Cl.** **07-02**

(52) **U.S. Cl.**
 USPC **D7/393**; D7/686

(58) **Field of Classification Search**
 USPC D7/680–697, 393, 395, 401.2; D8/4, 5, D8/52–56, 58
 CPC A47G 21/00; A47G 21/02; A47G 21/06; A47J 43/283

See application file for complete search history.

D528,857 S * 9/2006 Zemel D7/395
 D531,463 S 11/2006 Jarvis et al.
 D535,145 S 1/2007 Zemel
 D535,853 S 1/2007 Zemel
 D545,122 S 6/2007 Zemel
 D546,620 S 7/2007 Zemel
 D564,290 S 3/2008 Zemel
 D564,291 S 3/2008 Zemel
 D569,174 S 5/2008 Zemel
 D572,079 S 7/2008 Zemel
 D572,080 S 7/2008 Zemel
 D588,867 S 3/2009 Zemel
 D601,849 S 10/2009 Zemel
 D628,029 S 11/2010 Rothman
 D657,619 S 4/2012 Zemel
 D658,432 S 5/2012 Zemel
 D658,434 S 5/2012 Zemel
 D658,936 S 5/2012 Zemel
 D664,816 S * 8/2012 Difante D7/686

(Continued)

Primary Examiner — Cynthia M. Chin
 (74) *Attorney, Agent, or Firm* — Carter, DeLuca, Farrell & Schmidt, LLP

(57) **CLAIM**

The ornamental design for a utensil handle, as shown and described.

DESCRIPTION

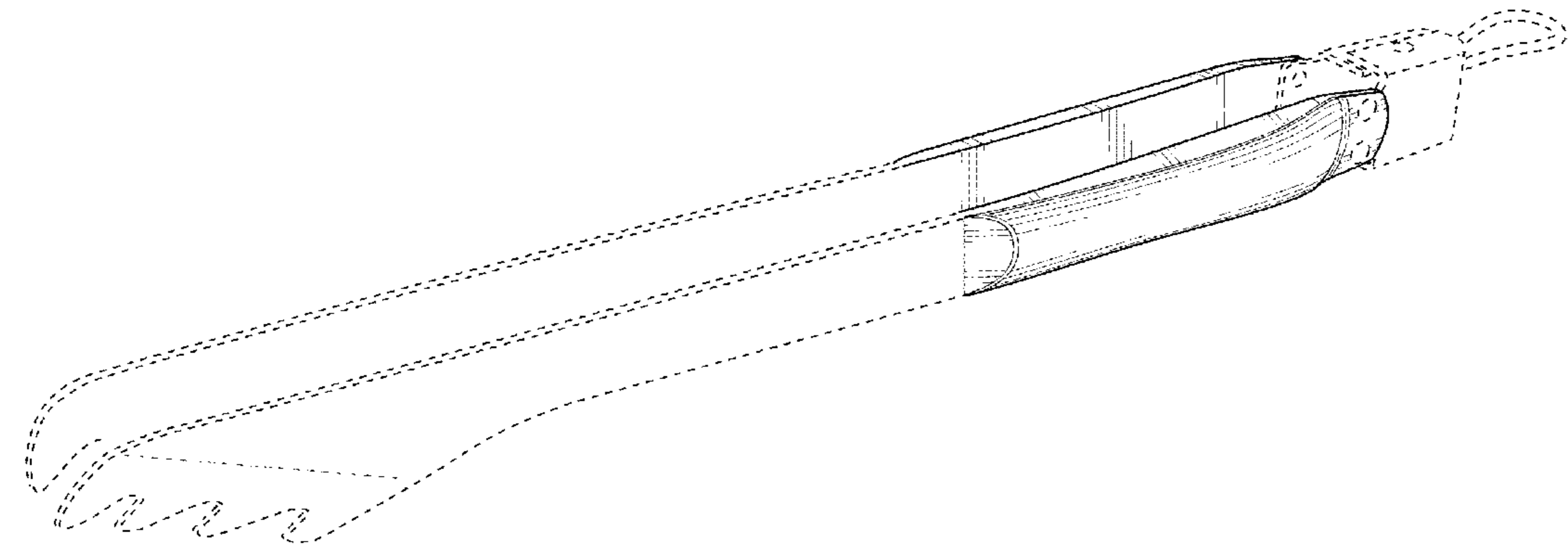
FIG. 1 is a perspective view of a utensil handle in accordance with the present design;
 FIG. 2 is a right side elevational view thereof;
 FIG. 3 is a left side elevational view thereof;
 FIG. 4 is a rear elevational view thereof;
 FIG. 5 is a front elevational view thereof;
 FIG. 6 is a top plan view thereof; and,
 FIG. 7 is a bottom plan view thereof.
 The broken lines shown in the drawings illustrate portions of the utensil handle that form no part of the claimed design.

1 Claim, 4 Drawing Sheets

(56) **References Cited**

U.S. PATENT DOCUMENTS

D254,767 S * 4/1980 Christen, Jr. D7/686
 D392,849 S * 3/1998 Zeller D7/686
 D414,653 S 10/1999 Kaposi et al.
 D444,041 S * 6/2001 Thuma D7/686
 D447,430 S 9/2001 Kehoe
 D448,609 S 10/2001 Hay et al.
 D457,789 S 5/2002 Rowe et al.
 D461,379 S * 8/2002 Wang D7/686
 D475,585 S 6/2003 Chen
 6,584,692 B1 7/2003 Stills et al.
 D481,915 S * 11/2003 Mezger-Boehringer D7/686
 D494,006 S * 8/2004 Zemel D7/395
 D502,367 S 3/2005 Claypool et al.
 7,086,676 B2 8/2006 Sumter et al.



(56)

References Cited

U.S. PATENT DOCUMENTS

D667,707 S 9/2012 Zemel
D717,106 S 11/2014 Zemel et al.
D773,240 S 12/2016 Zemel et al.

* cited by examiner

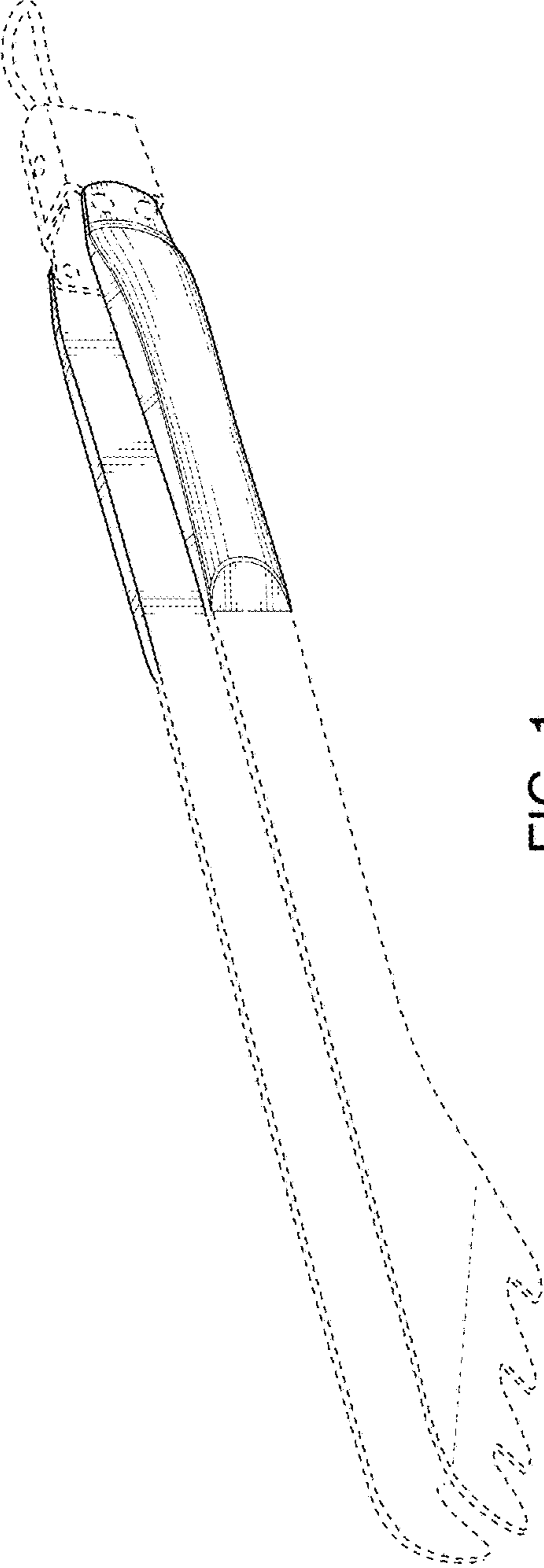


FIG. 1

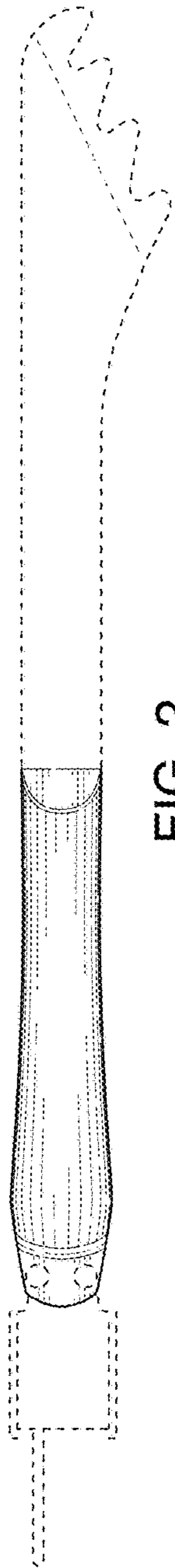


FIG. 2

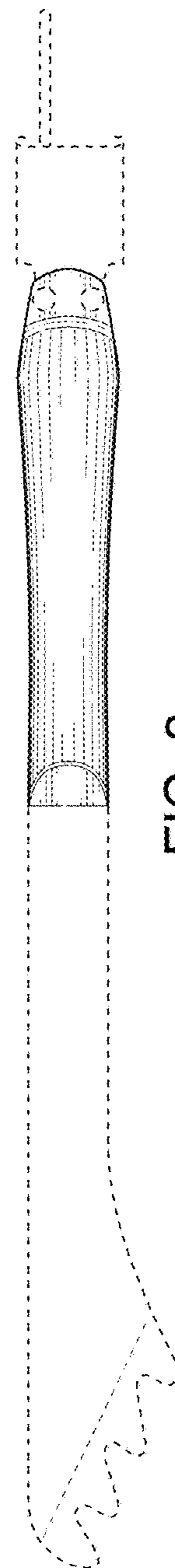


FIG. 3

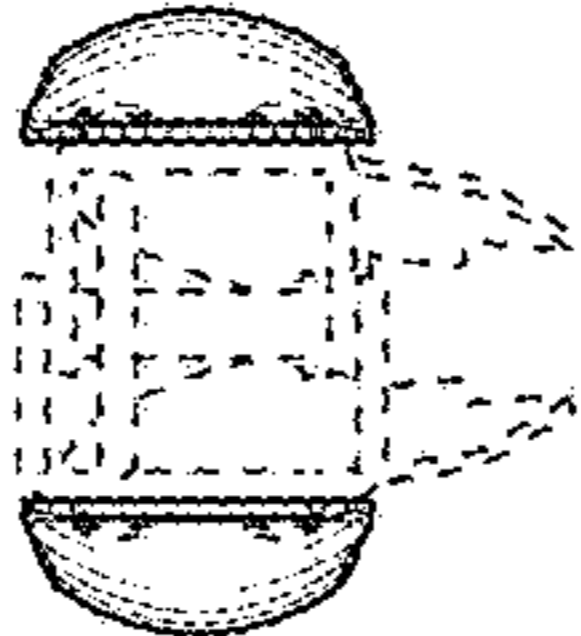


FIG. 5

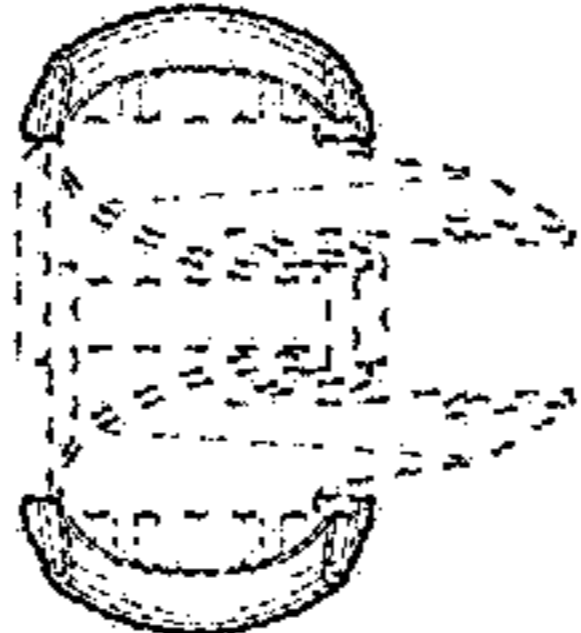


FIG. 4

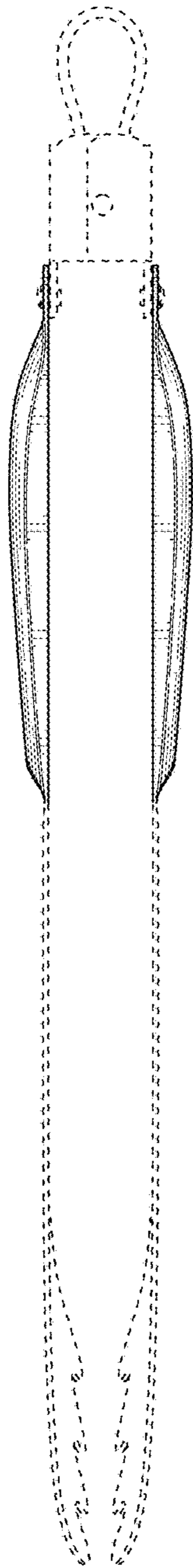


FIG. 6

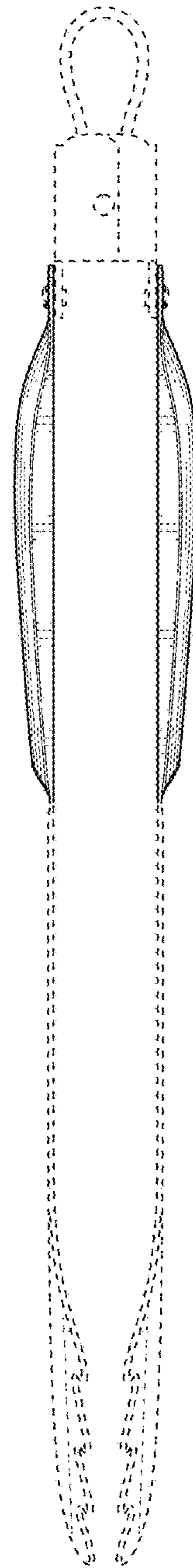


FIG. 7