



US00D836389S

(12) **United States Design Patent** (10) **Patent No.:** **US D836,389 S**
Abante et al. (45) **Date of Patent:** **** Dec. 25, 2018**

(54) **CONTAINER LID**

FOREIGN PATENT DOCUMENTS

(71) Applicant: **YETI Coolers, LLC**, Austin, TX (US)

CN 103538798 A 1/2014
CN 303894653 10/2016

(72) Inventors: **Edward Abante**, Austin, TX (US);
Steve Charles Nichols, Austin, TX (US)

(Continued)

OTHER PUBLICATIONS

(73) Assignee: **YETI Coolers, LLC**, Austin, TX (US)

“Thermos Stainless King 60 Ounce Vacuum Insulated Beverage Bottle.” Found online Jul. 13, 2018 at www.amazon.com. Page dated Aug. 15, 2015. Retrieved from URL: https://www.amazon.com/Thermos-Stainless-Insulated-Beverage-Midnight/dp/B008YB4V52 (Year: 2015).*

(**) Term: **15 Years**

(Continued)

(21) Appl. No.: **29/598,614**

(22) Filed: **Mar. 27, 2017**

(51) **LOC (11) Cl.** **07-99**

(52) **U.S. Cl.**

USPC **D7/392.1**

(58) **Field of Classification Search**

USPC D7/387, 392, 392.1, 392.2, 393, 396.2, D7/396.3, 396.4, 401.1, 507, 509–511, D7/538, 900; D9/414, 415, 420, 426, D9/428, 429, 434, 435, 443–450, D9/452–457, 499, 682, 685, 686

CPC B65D 51/28; B65D 21/0222; B65D 43/02; B65D 2203/00; B65D 2231/022; B65D 2543/00046; B65D 2543/00092; B65D 2543/00296; B65D 2543/00537; A47G 19/2205; A47G 19/2222; A47G 19/2272

See application file for complete search history.

Primary Examiner — Garth Rademaker

Assistant Examiner — Katelin G Kloberg

(74) *Attorney, Agent, or Firm* — Banner & Witcoff, Ltd.

(57) **CLAIM**

The ornamental design for a container lid, as shown and described.

DESCRIPTION

FIG. 1 is a front perspective view of a container lid showing our new design;

FIG. 2 is a front view thereof;

FIG. 3 is a rear view thereof;

FIG. 4 is a side view thereof;

FIG. 5 is an opposite side view thereof;

FIG. 6 is a top view thereof;

FIG. 7 is a bottom view thereof; and,

FIG. 8 is an exploded view thereof.

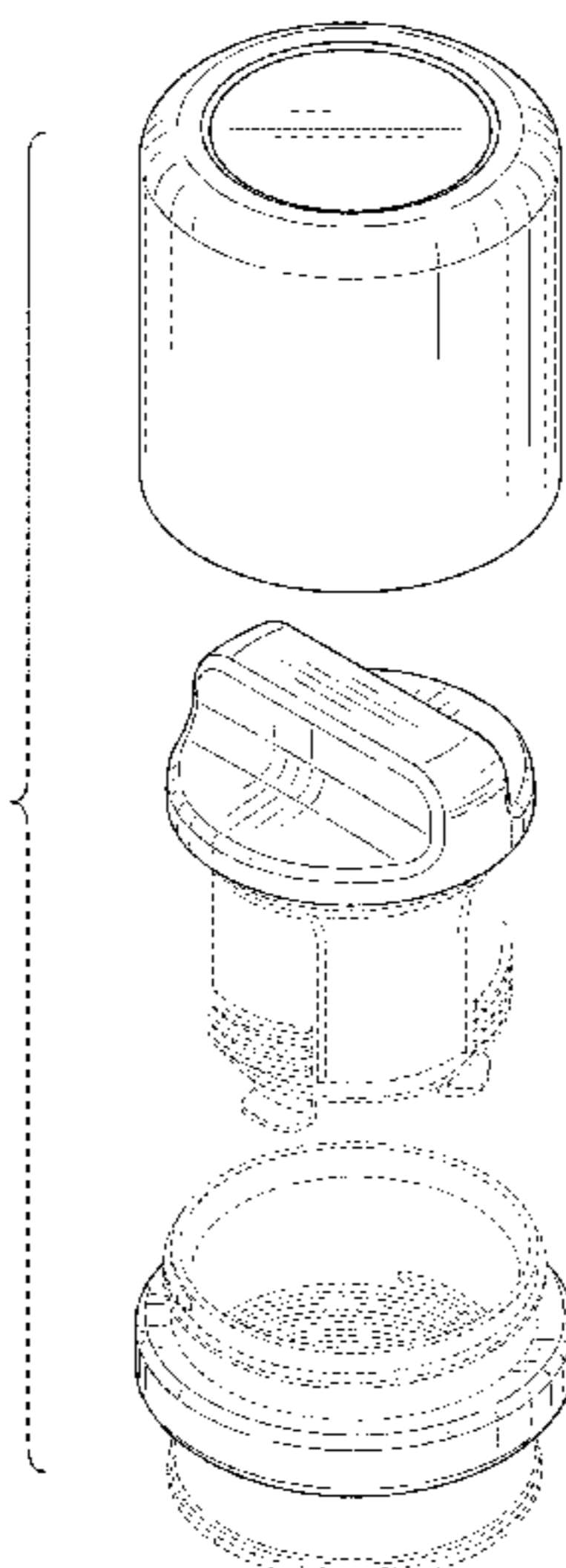
The broken lines immediately adjacent to the shaded area represent unclaimed boundaries of the design. The broken lines showing the remainder of the container lid depict portions of the article that form no part of the claimed design.

(56) **References Cited**

U.S. PATENT DOCUMENTS

2,804,103 A 8/1957 Wall
3,592,349 A 7/1971 Baugh
D289,614 S * 5/1987 Sanchez D7/392.1
4,723,677 A 2/1988 Nagel, Jr.
4,981,233 A 1/1991 Scheurer
D325,167 S * 4/1992 Humfress D9/453
5,105,975 A * 4/1992 Patterson A47G 19/2272
215/229
5,190,178 A 3/1993 Luch
(Continued)

1 Claim, 5 Drawing Sheets



(56)

References Cited

U.S. PATENT DOCUMENTS

5,498,333 A 3/1996 Canther
 6,079,589 A 6/2000 Matsuyama et al.
 D507,495 S * 7/2005 Williams D9/719
 D521,314 S * 5/2006 Ball D7/393
 D533,032 S 12/2006 Liu et al.
 D553,914 S 10/2007 Wahl
 D567,021 S * 4/2008 Bach D7/387
 7,458,486 B2 12/2008 Weist et al.
 D587,533 S 3/2009 Carreno
 D594,346 S * 6/2009 Mouquet D9/690
 D599,616 S 9/2009 Cresswell et al.
 D615,361 S 5/2010 Goble
 D621,257 S 8/2010 Gullickson et al.
 D621,258 S 8/2010 Gullickson et al.
 D623,480 S 9/2010 Moran
 D630,474 S 1/2011 Gilbert
 D634,160 S 3/2011 Cetera
 D639,177 S 6/2011 Pape
 D641,257 S * 7/2011 Thiebaut D9/454
 D641,591 S 7/2011 Tsukida
 8,011,535 B2 9/2011 Tauber et al.
 D657,196 S 4/2012 Beyers, III
 8,215,511 B1 7/2012 Lin
 D665,621 S 8/2012 Eyal
 8,245,870 B2 8/2012 McKinney et al.
 D670,137 S 11/2012 Gilbert
 D675,865 S * 2/2013 Wahl D7/392.1
 D677,119 S 3/2013 Ying
 D682,016 S 5/2013 Knight
 8,505,760 B2 8/2013 Ott
 D702,092 S 4/2014 Mettler et al.
 8,708,176 B2 4/2014 Andis
 D714,584 S 10/2014 Boroski
 D735,033 S 7/2015 Lynd et al.
 9,126,731 B2 9/2015 Chen
 D743,742 S 11/2015 Rummel et al.
 9,205,445 B2 12/2015 Fang
 D751,898 S 3/2016 D'Anglade
 D760,586 S 7/2016 Seiders et al.
 D761,624 S 7/2016 McLean et al.
 D763,076 S 8/2016 Lane et al.
 D767,390 S 9/2016 Miksovsky et al.
 D772,652 S 11/2016 Yao
 D772,718 S 11/2016 Lee
 D773,250 S * 12/2016 Miller D7/523
 D773,938 S 12/2016 Weber
 D778,117 S 2/2017 Du
 D778,118 S 2/2017 Du
 D795,008 S * 8/2017 Eyal D7/392.1
 9,745,110 B2 * 8/2017 Boyer B65D 47/121

9,919,860 B2 * 3/2018 Dabah B65D 51/28
 D814,852 S * 4/2018 Melanson D7/391
 D816,426 S * 5/2018 Washburn D7/608
 D817,114 S * 5/2018 Beckman D7/629
 2006/0180585 A1 8/2006 Cunningham et al.
 2010/0215294 A1 8/2010 Berman
 2011/0056386 A1 3/2011 Taketani
 2014/0312077 A1 10/2014 Tajima et al.
 2016/0167852 A1 6/2016 Moradi
 2017/0001772 A1 1/2017 Rho
 2018/0105346 A1 * 4/2018 Tolman B65D 81/3869

FOREIGN PATENT DOCUMENTS

CN	303899030	10/2016
CN	303902404	11/2016
CN	303905254	11/2016
CN	303905266	11/2016
CN	303944047	11/2016
CN	303956194	12/2016
CN	303965272	12/2016
CN	303965286	12/2016
CN	303965392	12/2016
CN	303965400	12/2016
CN	303966239	12/2016
CN	303974938	12/2016
CN	303984407	12/2016
CN	303984493	12/2016
CN	304011213	1/2017
CN	304011214	1/2017
DK	402016101176-0008	11/2016
DK	402016101176-0010	11/2016
EM	003528504-0004	12/2016
JP	2008162679 A	7/2008
KR	300878085.0000	10/2016
KR	300883384.0000	11/2016
KR	300884377.0000	12/2016
KR	300885455.0000	12/2016
KR	300885851.0000	12/2016
KR	300888536.0000	1/2017
RU	00100680	11/2016

OTHER PUBLICATIONS

“Stanley Classic Vacuum Bottle.” Found online Jul. 13, 2018 at www.amazon.com. Page dated Nov. 30, 2014. Retrieved from URL: <https://tinyurl.com/y8nnytm9> (Year: 2014).*
 Avex, “40oz. 3Sixty Pour Stainless Steel Thermal Bottle”, Accessed May 18, 2017. Accessed May 18, 2017. <http://www.avexoutdoor.com/3sixty-pour-realtree-thermal-bottle.html>.

* cited by examiner

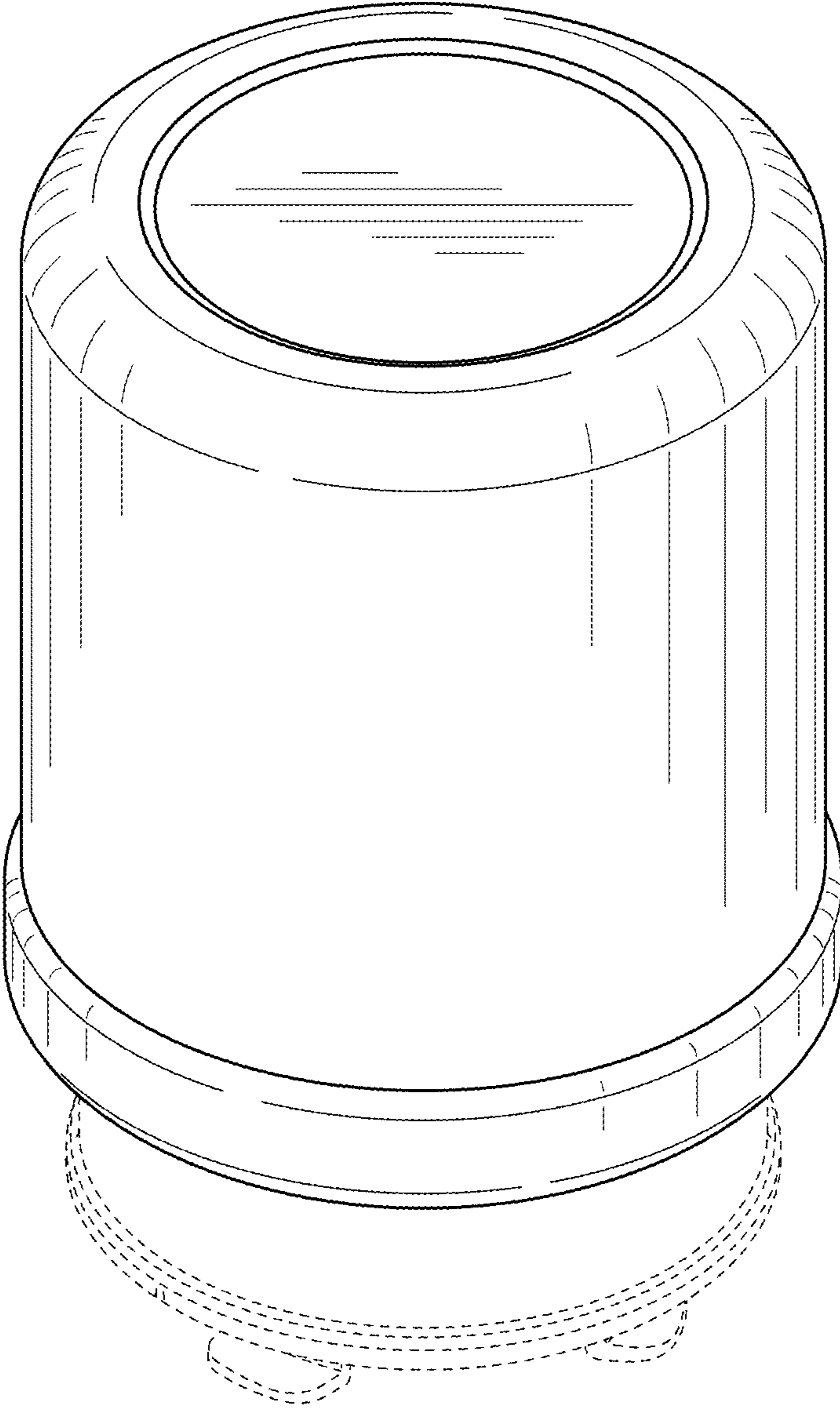


FIG. 1

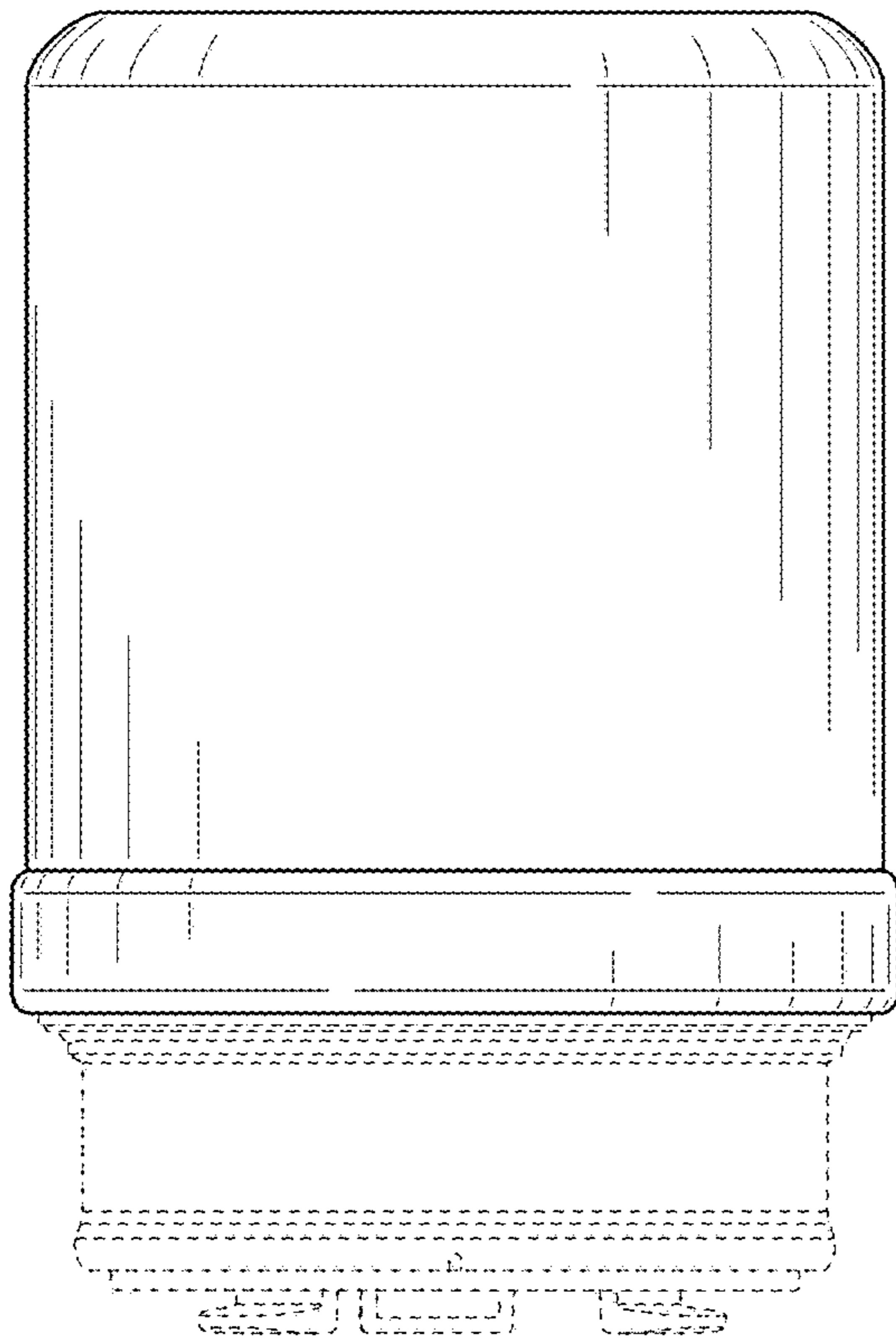


FIG. 2

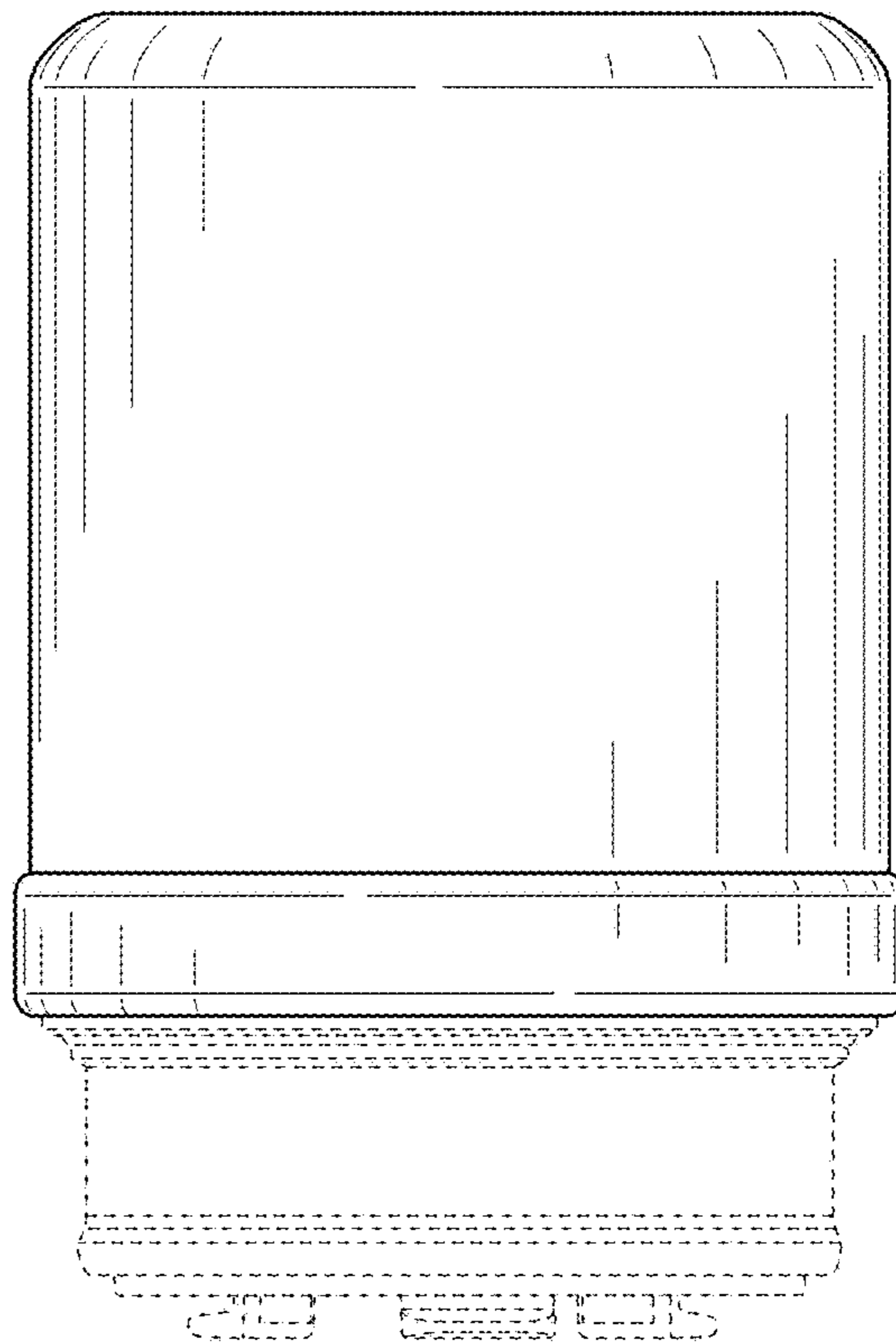


FIG. 3

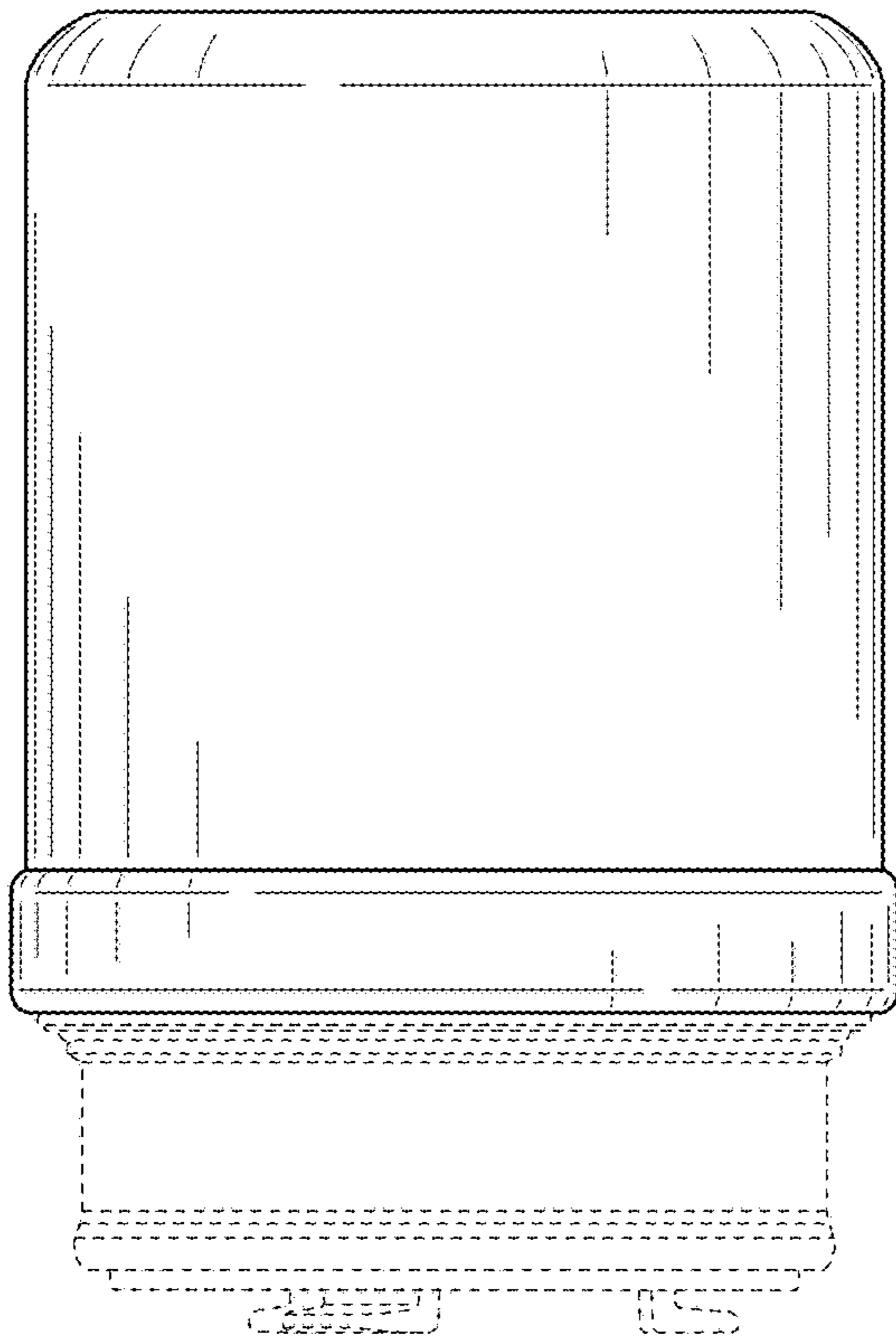


FIG. 4

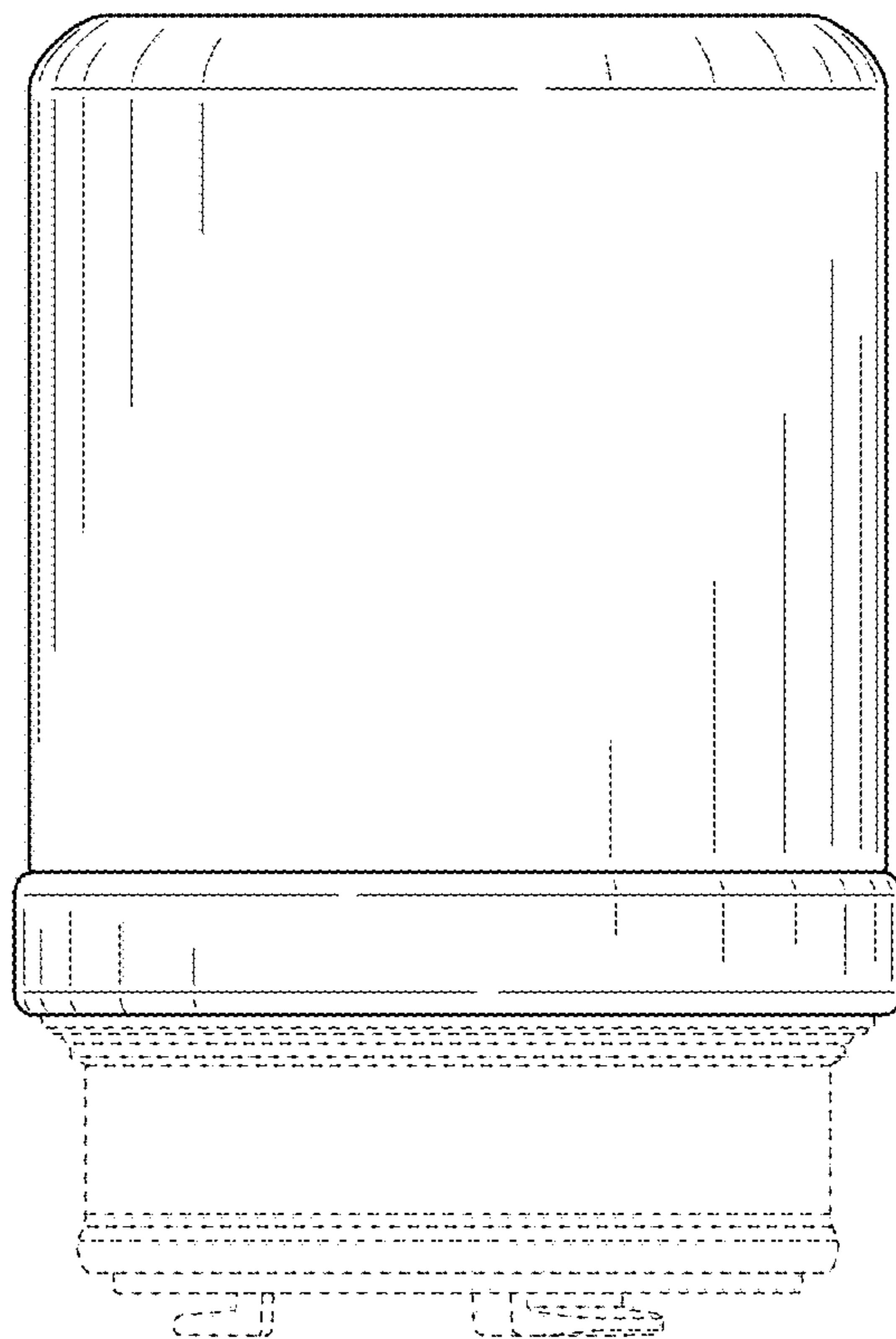


FIG. 5

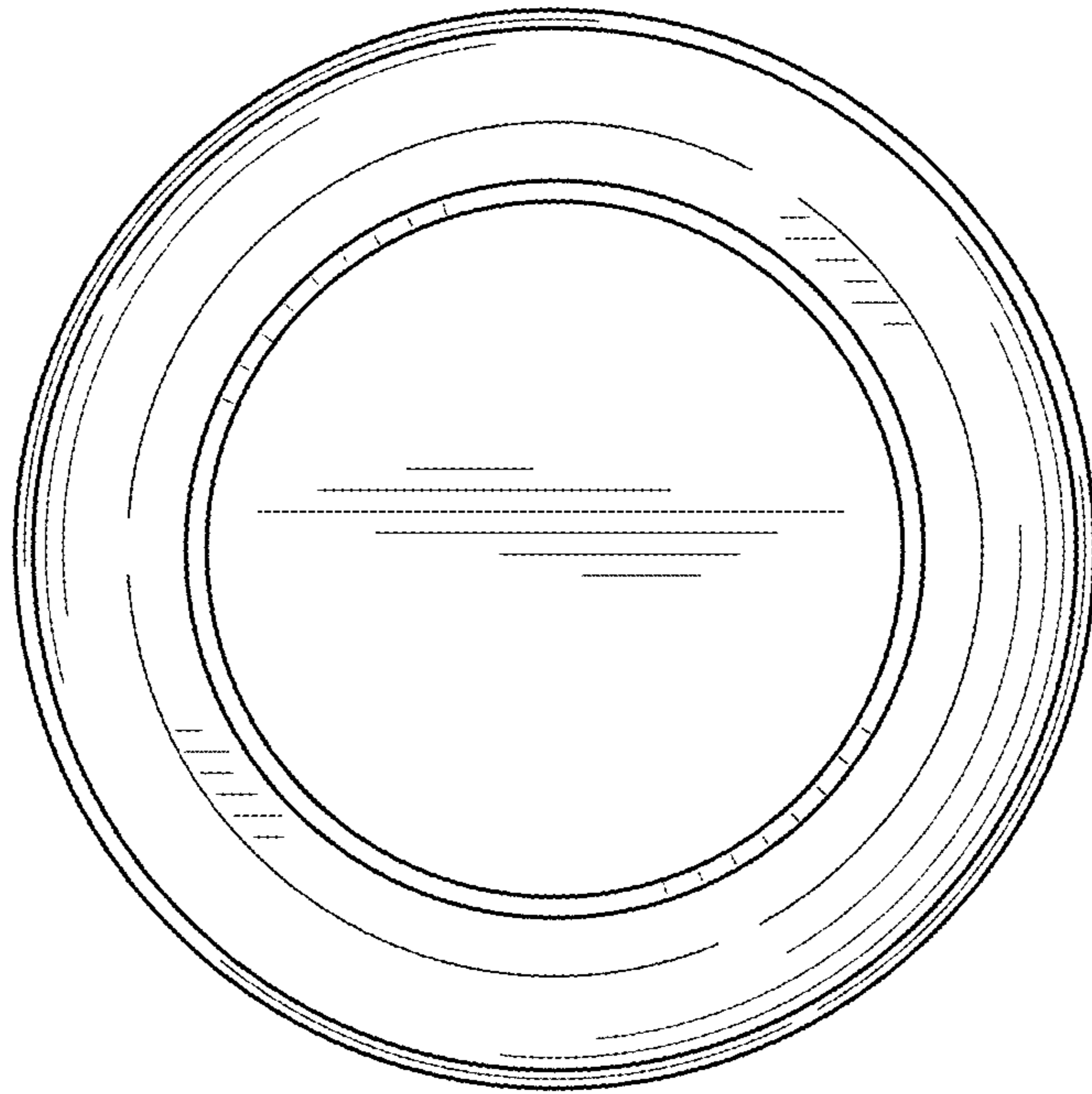


FIG. 6

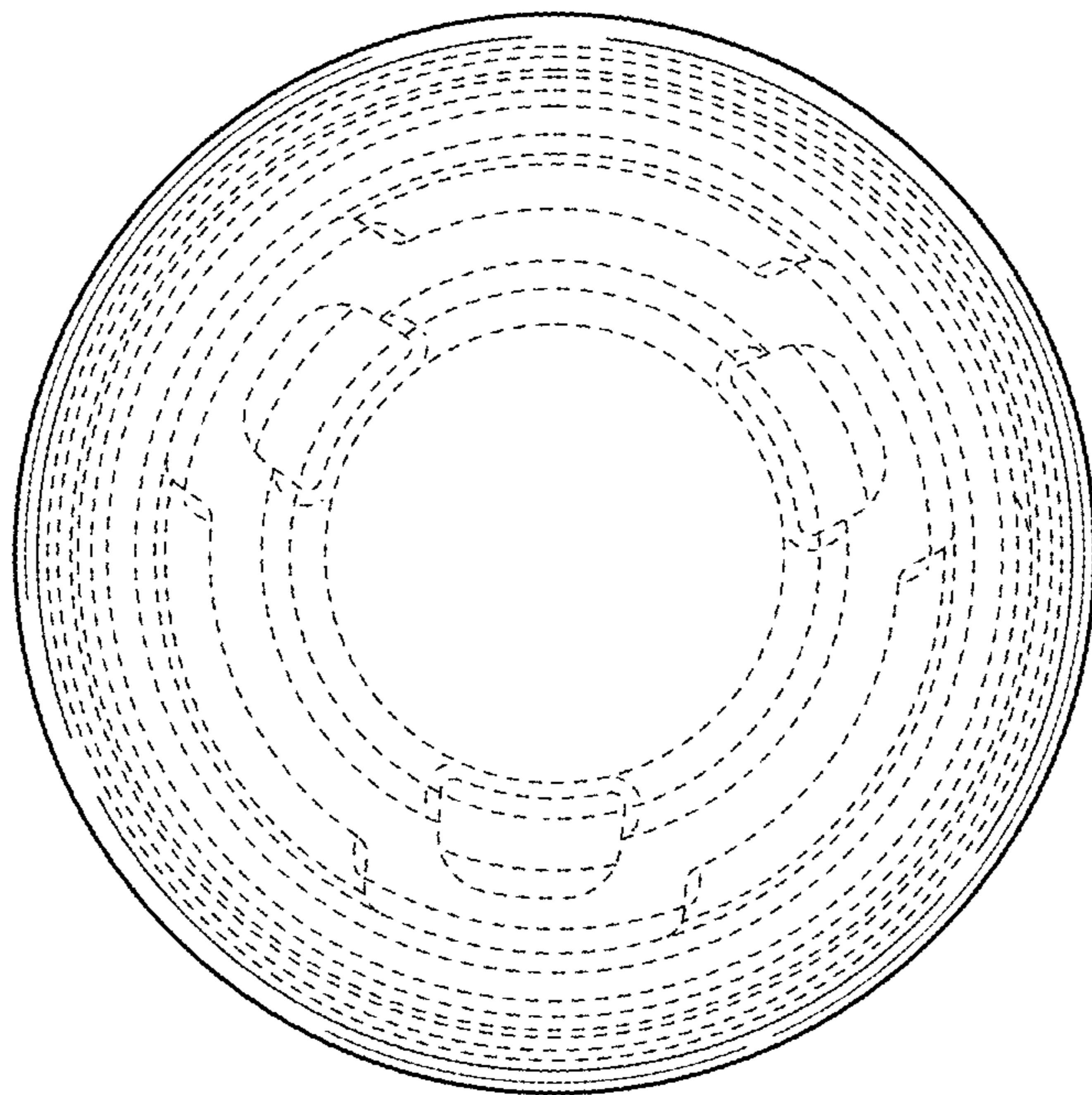


FIG. 7

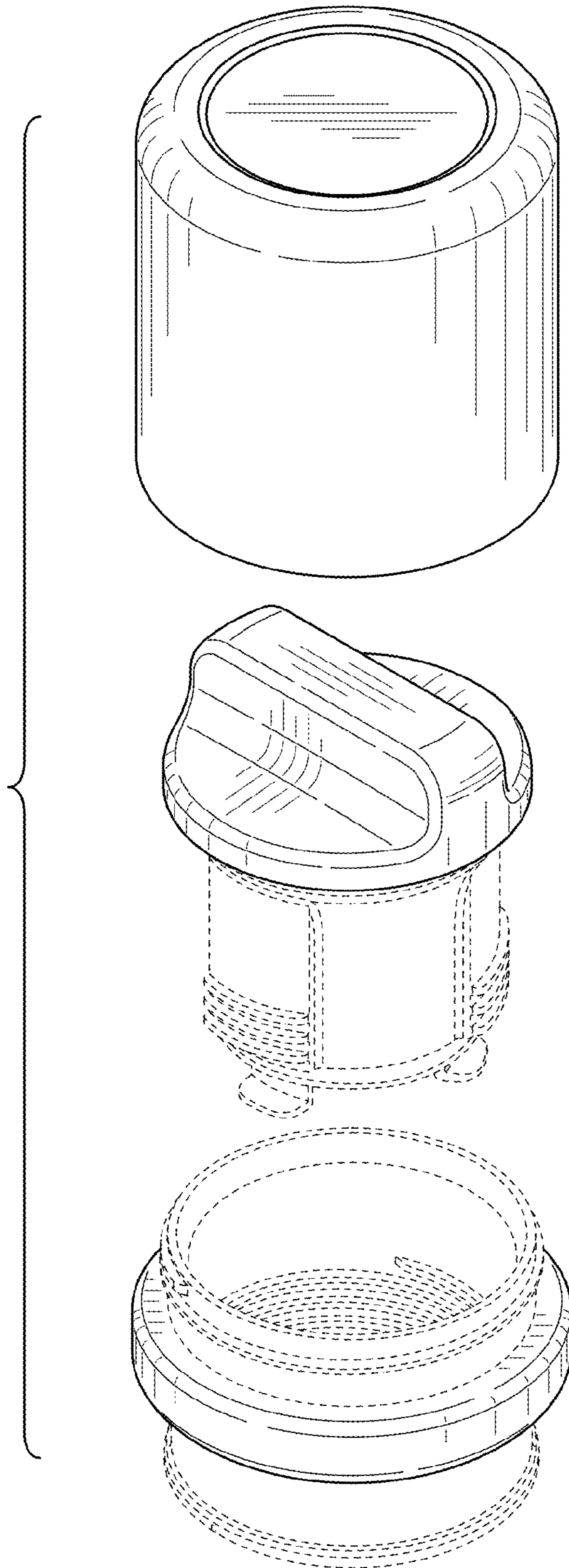


FIG. 8