



US00D836387S

(12) **United States Design Patent** (10) **Patent No.:** **US D836,387 S**
Silsby et al. (45) **Date of Patent:** **** Dec. 25, 2018**

(54) **BEVERAGE CONTAINER LID**
(71) Applicant: **Pacific Market International, LLC**,
Seattle, WA (US)
(72) Inventors: **Jacob D. Silsby**, Seattle, WA (US);
Evan Michael Choltco-Devlin,
Ellensburg, WA (US); **Michael Carl**
Beckman, Ellensburg, WA (US)
(73) Assignee: **Pacific Market International, LLC**,
Seattle, WA (US)
(**) Term: **15 Years**
(21) Appl. No.: **29/586,404**
(22) Filed: **Dec. 2, 2016**
(51) **LOC (11) Cl.** **07-99**
(52) **U.S. Cl.**
USPC **D7/392.1; D7/900**
(58) **Field of Classification Search**
USPC D7/387, 392, 392.1, 392.2, 393, 396.2,
D7/396.3, 396.4, 401.1, 507, 509-511,
D7/538, 900; D9/414, 415, 420, 426,
D9/428, 429, 434, 435, 443-450,
D9/452-457, 499, 682, 685, 686
CPC B65D 51/28; B65D 21/0222; B65D 43/02;
B65D 2203/00; B65D 2231/022; B65D
2543/00046; B65D 2543/00092; B65D
2543/00296; B65D 2543/00537; A47G
19/2205; A47G 19/2222; A47G 19/2272
See application file for complete search history.

D623,473 S * 9/2010 Chen D7/510
D671,001 S * 11/2012 Wisniewski D9/449
D675,865 S * 2/2013 Wahl D7/392.1
D714,162 S * 9/2014 Kang D9/504
D730,729 S * 6/2015 George D9/435
D731,244 S * 6/2015 Kohl D7/510
D734,638 S * 7/2015 Wahl D7/392.1
D748,942 S * 2/2016 Boroski D7/376
D751,337 S * 3/2016 Boroski D7/376
D789,149 S * 6/2017 Rummel D7/510

(Continued)

OTHER PUBLICATIONS

“Stanley GO Series with Ceramivac 24oz. with free laser engraving.” Found online Jul. 13, 2018 at www.amazon.com. Page dated Mar. 5, 2018. Retrieved from URL: <https://www.amazon.com/St Stanley-Bottle-Ceramivac-laser-engraving/dp/B07B89LZFW?th=1> (Year: 2018).*

Primary Examiner — Garth Rademaker
Assistant Examiner — Katelin G Kloberg
(74) *Attorney, Agent, or Firm* — George C. Rondeau, Jr.;
Davis Wright Tremaine LLP

(57) **CLAIM**

The ornamental design for a beverage container lid, as shown and described.

DESCRIPTION

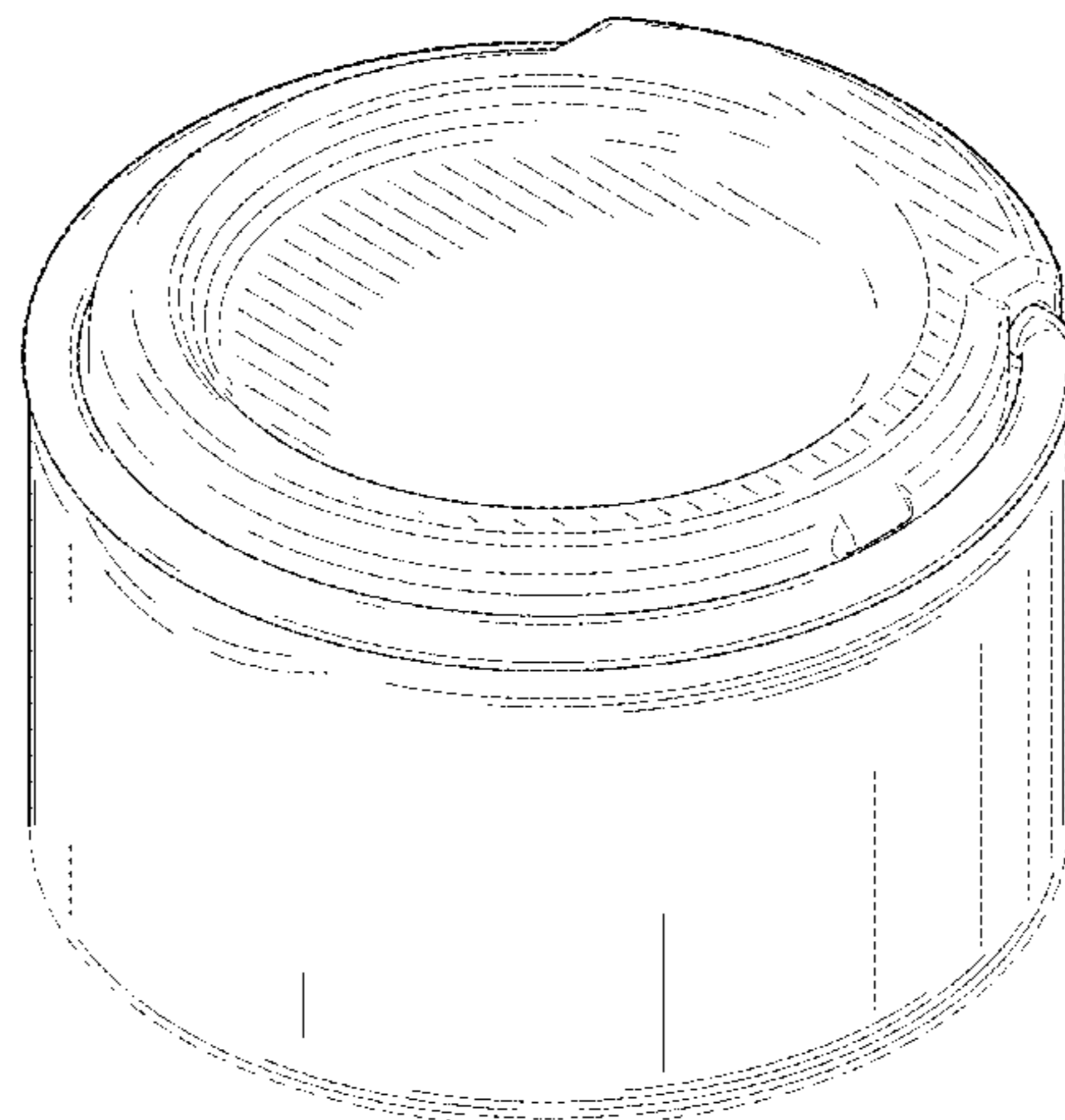
FIG. 1 is a top perspective view of a beverage container lid, showing our new design;
FIG. 2 is a bottom perspective view thereof;
FIG. 3 is a left side elevational view thereof;
FIG. 4 is a front elevational view thereof;
FIG. 5 is a right side elevational view thereof;
FIG. 6 is a rear elevational view thereof;
FIG. 7 is a top plan view thereof; and,
FIG. 8 is a bottom plan view thereof.
The broken lines depict portions of the beverage container lid and form no part of the claimed design.

1 Claim, 6 Drawing Sheets

(56) **References Cited**

U.S. PATENT DOCUMENTS

D283,099 S * 3/1986 Shabram, Sr. D7/392
D441,998 S * 5/2001 Kauzlarich D32/30
D445,983 S * 7/2001 Laughton D34/11
D533,781 S * 12/2006 Freisem D9/453
D540,626 S 4/2007 Janky
D573,404 S 7/2008 Wahl



(56)

References Cited

U.S. PATENT DOCUMENTS

D789,200	S	*	6/2017	Deringer	D9/435
D805,837	S	*	12/2017	Hager	D7/392.1
D814,853	S	*	4/2018	Melanson	D7/391
D814,930	S	*	4/2018	Tremayne	D9/435
D815,906	S	*	4/2018	Yee	D7/511
D816,426	S	*	5/2018	Washburn	D7/608
D817,095	S	*	5/2018	Kauss	D7/511
D817,114	S	*	5/2018	Beckman	D7/629
D819,402	S	*	6/2018	Silsby	D7/510
D820,039	S	*	6/2018	Fitzsimons	D7/392.1
D821,136	S	*	6/2018	Silsby	D7/392.1
D821,150	S	*	6/2018	Liao	D7/510

* cited by examiner

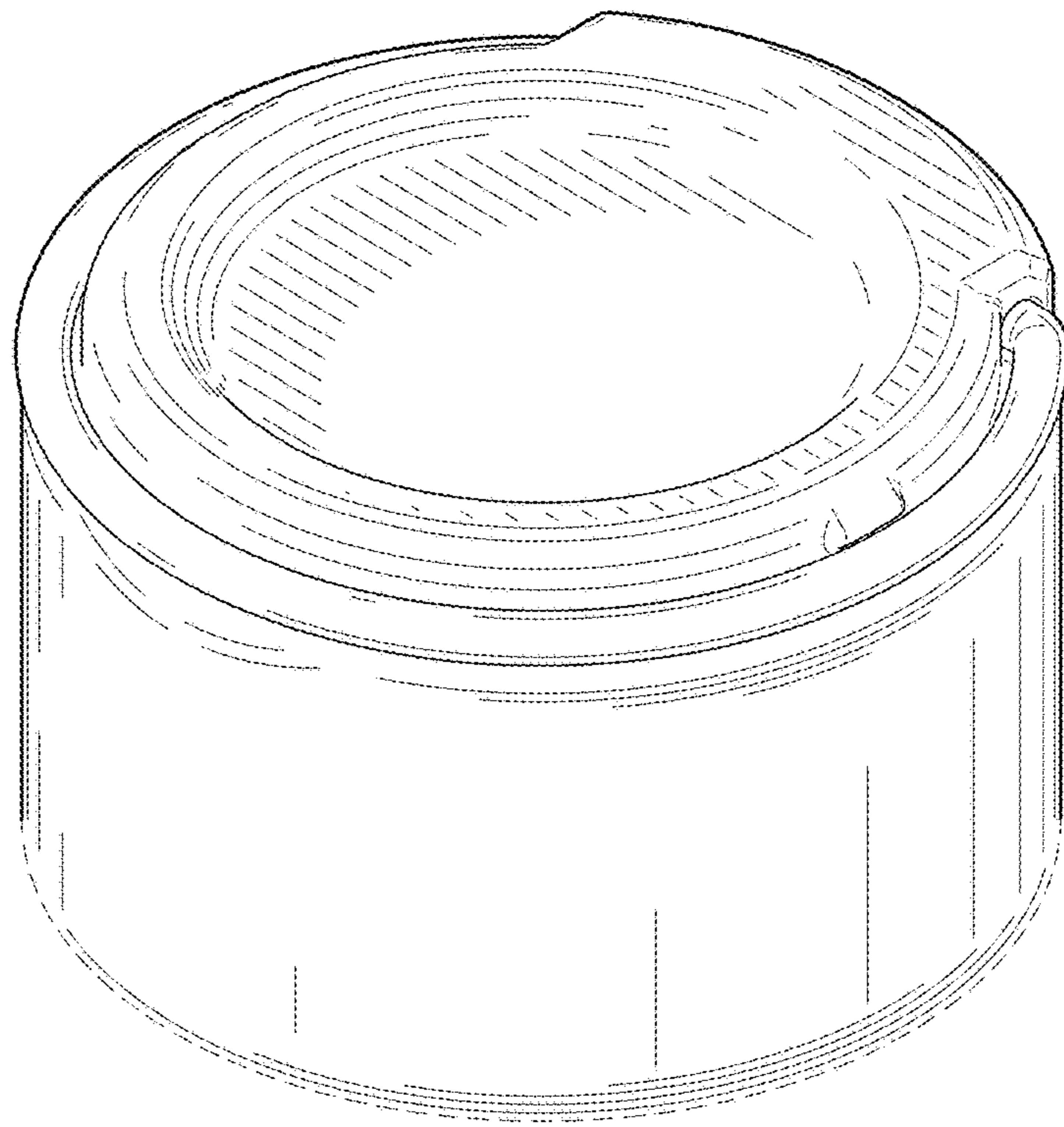


FIG. 1

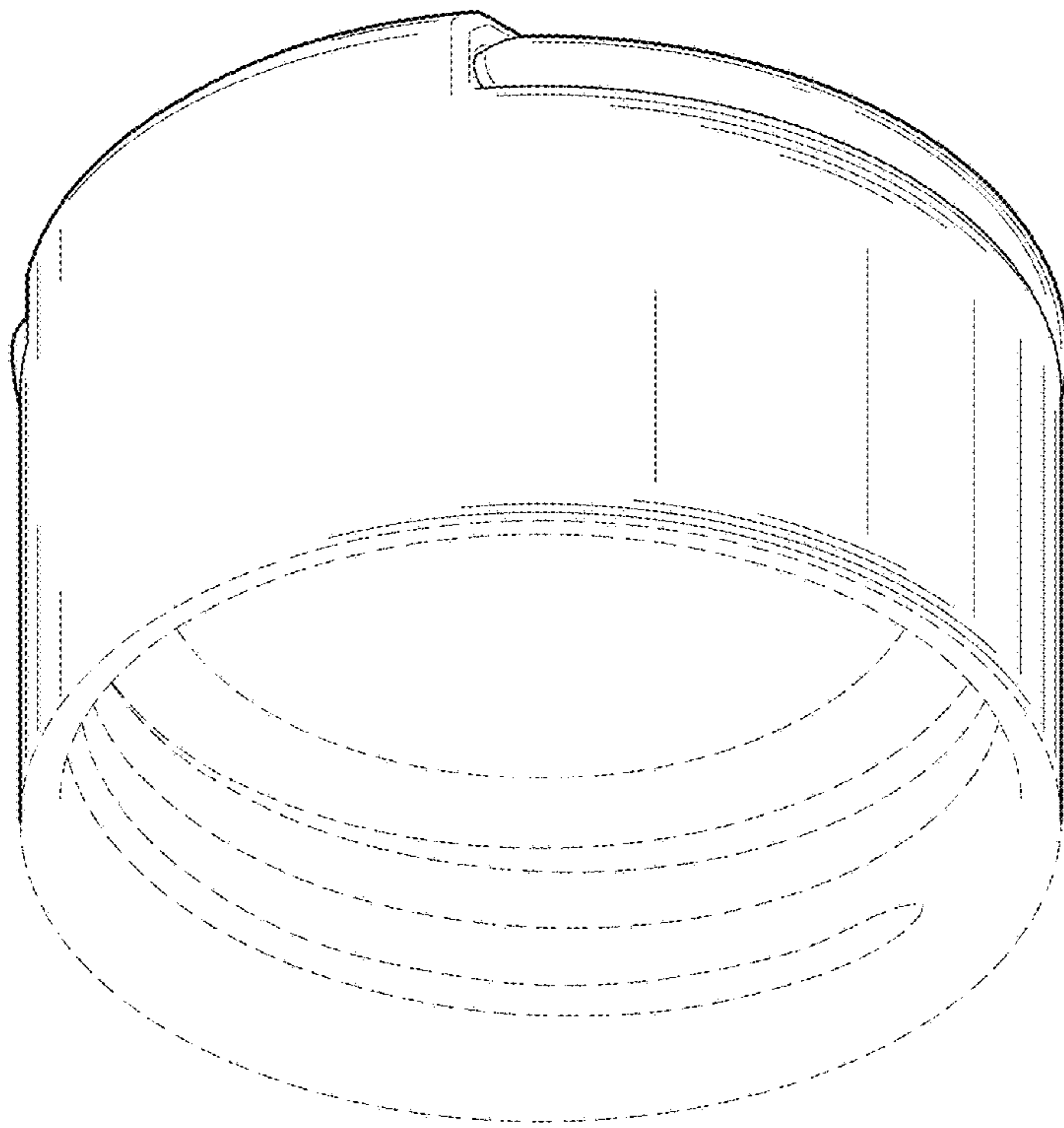


FIG. 2

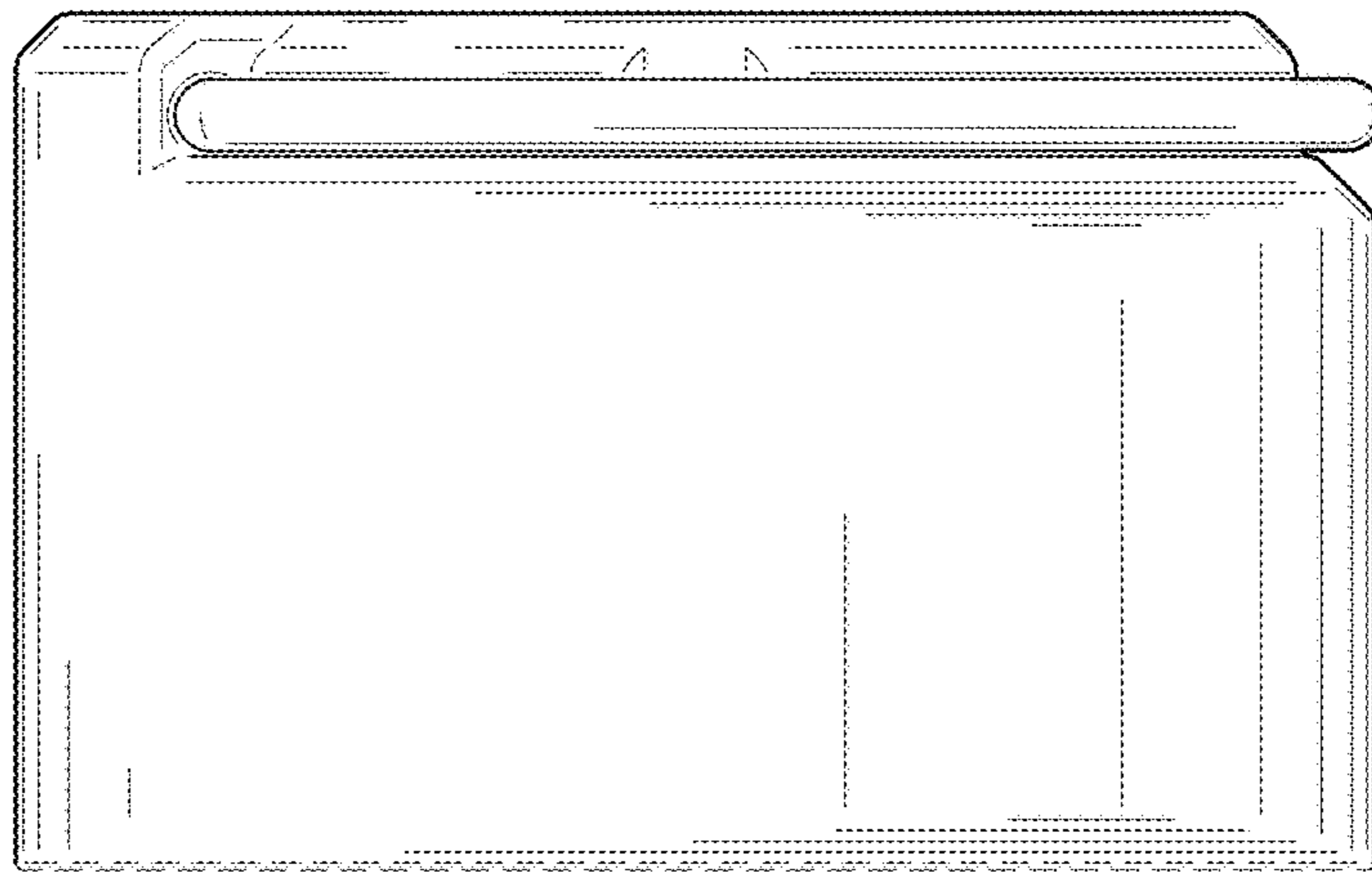


FIG. 3

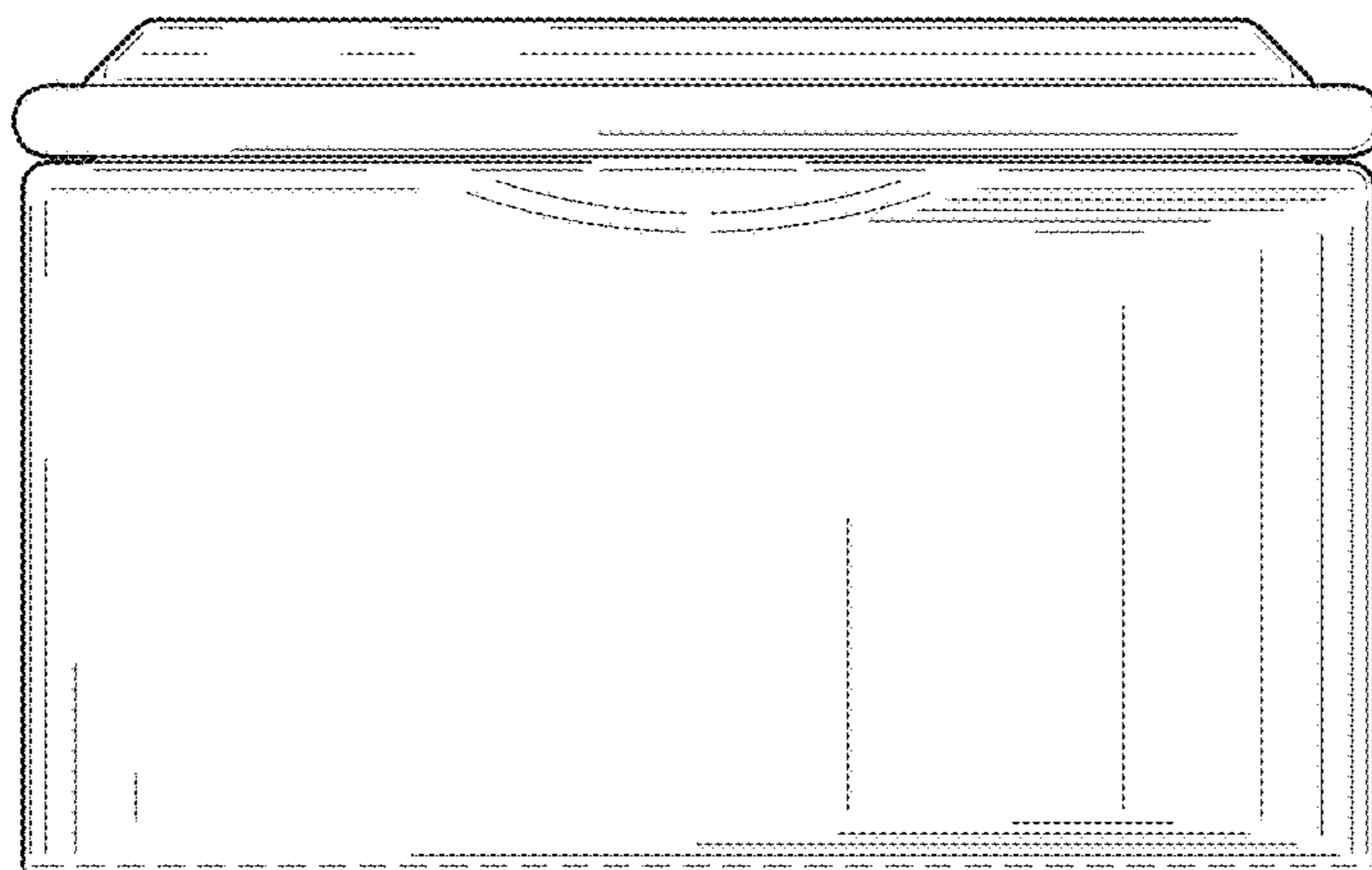


FIG. 4

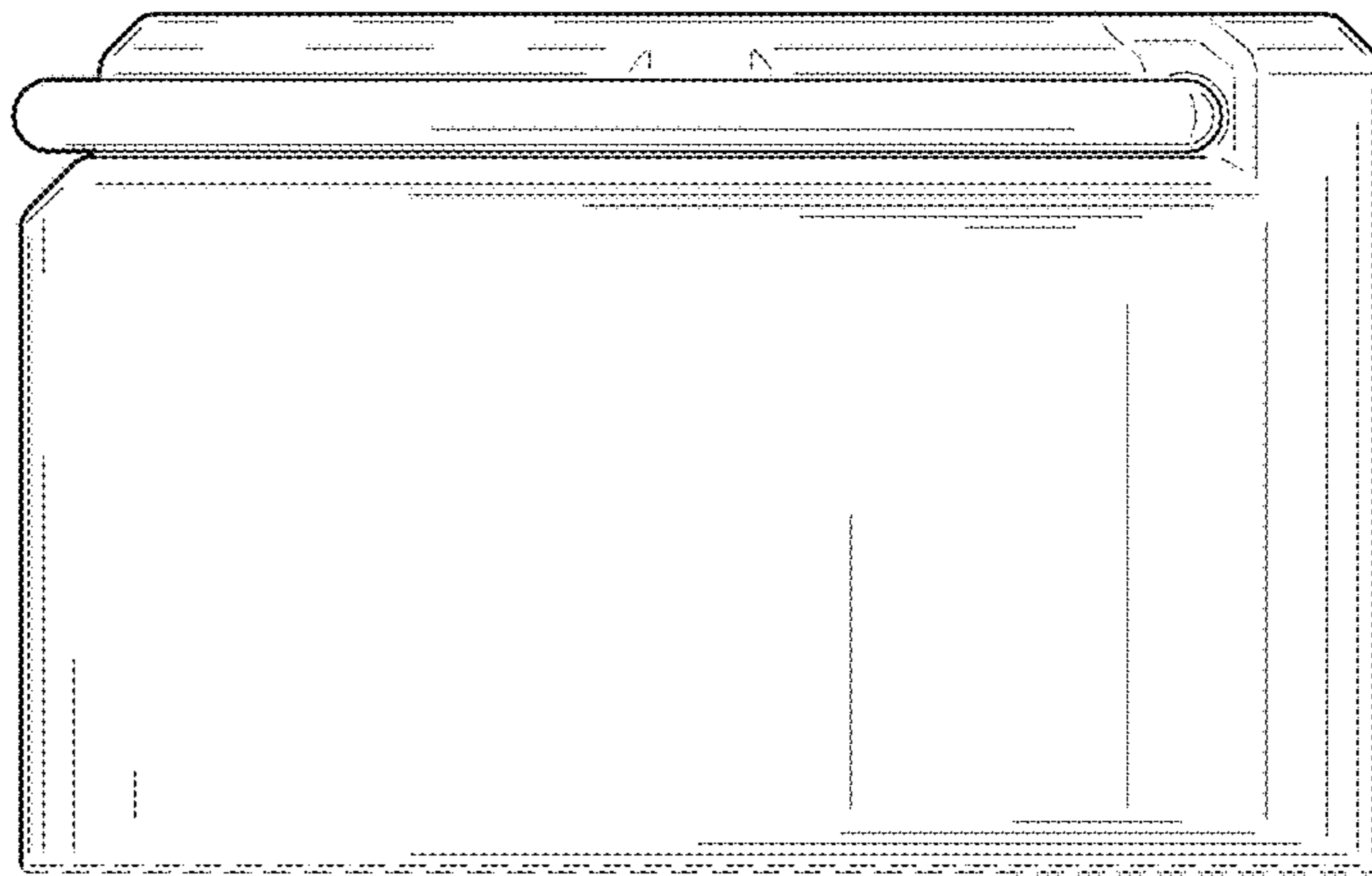


FIG. 5

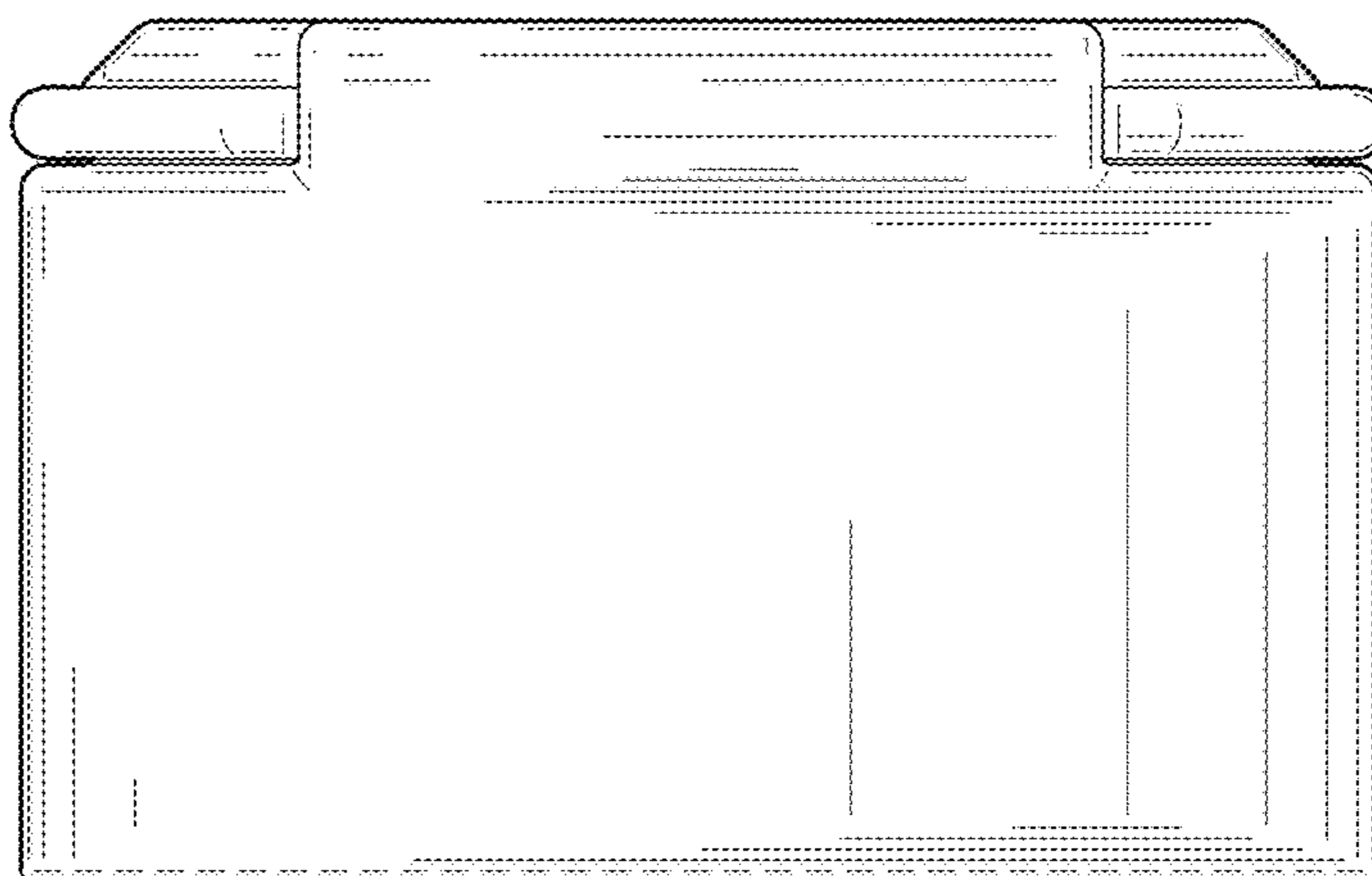


FIG. 6

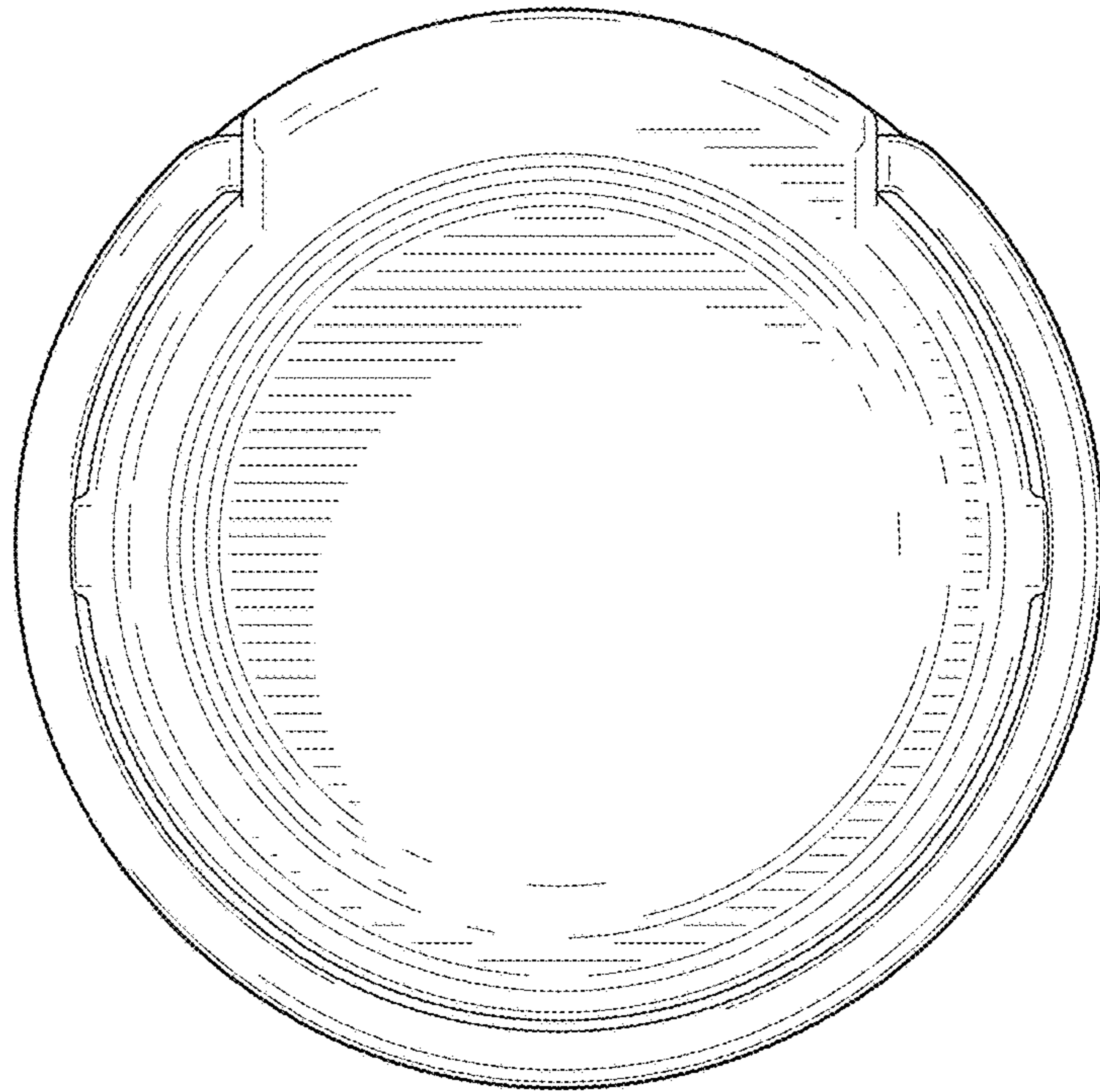


FIG. 7

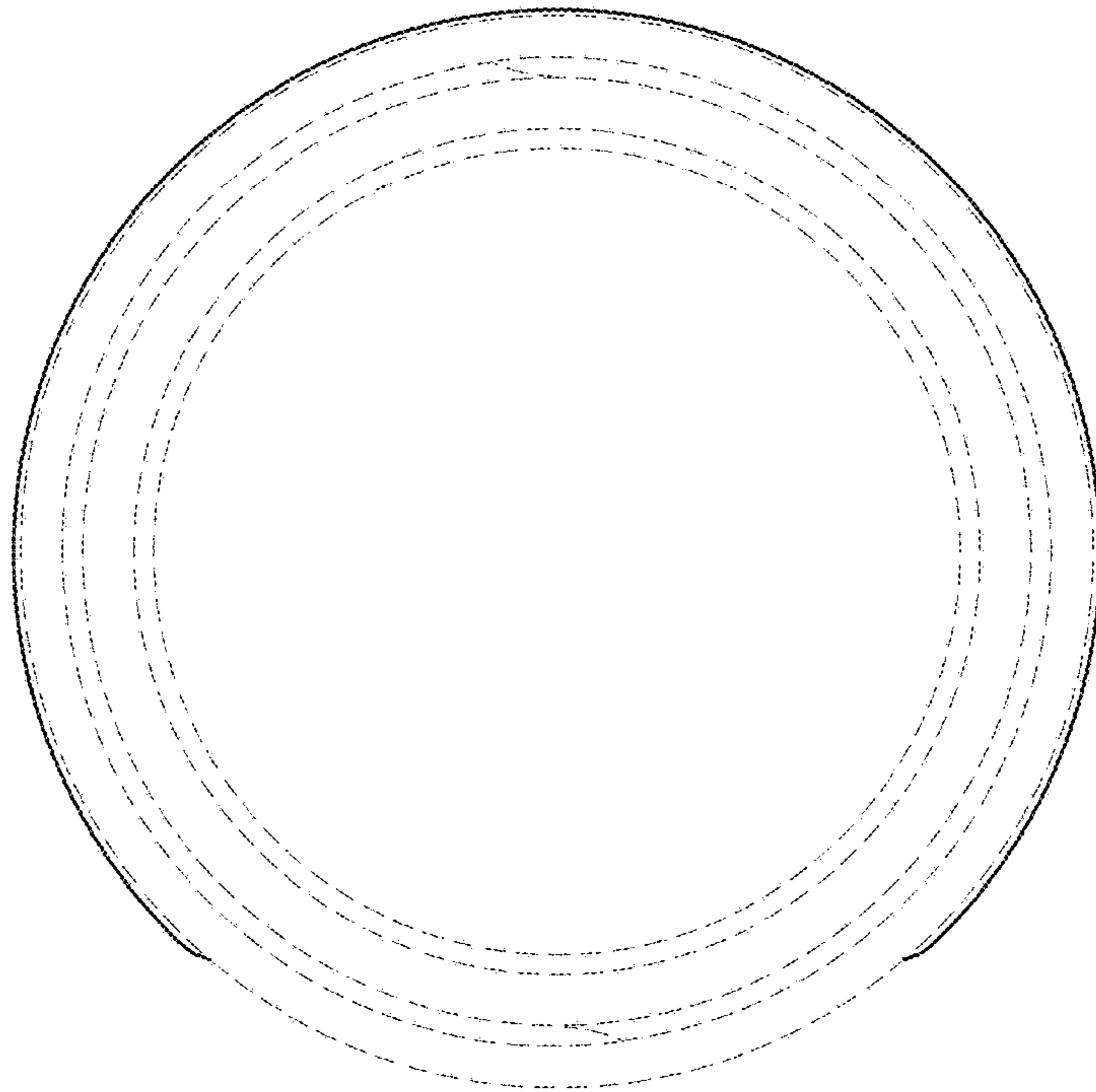


FIG. 8