



US00D836383S

(12) **United States Design Patent** (10) **Patent No.:** **US D836,383 S**
Dutruel (45) **Date of Patent:** **** Dec. 25, 2018**

(54) **ELECTRIC FRYER**

(71) Applicant: **SEB**, Selongey (FR)

(72) Inventor: **Laurent Dutruel**, Dole (FR)

(73) Assignee: **SEB**, Selongey (FR)

(**) Term: **15 Years**

(21) Appl. No.: **29/621,372**

(22) Filed: **Oct. 6, 2017**

Related U.S. Application Data

(62) Division of application No. 29/546,775, filed on Nov. 25, 2015, now Pat. No. Des. 819,389.

(30) **Foreign Application Priority Data**

May 29, 2015 (EM) 002709741-0001
May 29, 2015 (EM) 002709741-0002
May 29, 2015 (EM) 002709741-0003

(51) **LOC (11) Cl.** **07-02**

(52) **U.S. Cl.**
USPC **D7/354**

(58) **Field of Classification Search**

USPC D3/201, 202, 203.1, 270, 271.1; D7/323, D7/354-363, 391, 393-396, 402, 409, D7/560; D9/434, 435, 438, 439, 440, D9/443, 446, 447, 448, 449, 450, 452, D9/453, 454, 456, 502, 503, 504, 529
CPC . A47G 19/12; A47J 27/00; A47J 27/02; A47J 27/08; A47J 27/21; A47J 27/58; A47J 36/06; A47J 36/025; A47J 36/12; A47J 36/08; A47J 36/10; A47J 36/165; A47J 36/18; A47J 36/20; A47J 36/22; A47J 37/00; A47J 37/10; A47J 37/101; A47J 37/103; A47J 37/12; A47J 37/1204; A47J 45/061; A47J 45/071; A47J 45/0114; A23L 1/01; A23L 1/0107; A23L 1/0114; G07F 17/0064; G07F 17/0078; G07F 17/0085

See application file for complete search history.

(56) **References Cited**

U.S. PATENT DOCUMENTS

D313,530 S * 1/1991 Leiros D7/354
D366,592 S 1/1996 Cesaroni et al.
D369,270 S * 4/1996 Payen D7/323
D369,505 S * 5/1996 Philippe D7/323
D376,067 S 12/1996 Littmann
D386,646 S * 11/1997 Wurth D7/354
D395,786 S * 7/1998 Rossi D7/323
D414,072 S * 9/1999 Powell D7/354

(Continued)

FOREIGN PATENT DOCUMENTS

EP 1428463 A1 * 6/2004 A47J 37/1209
EP 1428464 A1 * 6/2004 A47J 37/1209
FR 2848290 A1 * 6/2004 C23C 26/00

Primary Examiner — Jennifer Rivard

Assistant Examiner — Catherine S Posthauer

(74) *Attorney, Agent, or Firm* — Loeb & Loeb LLP

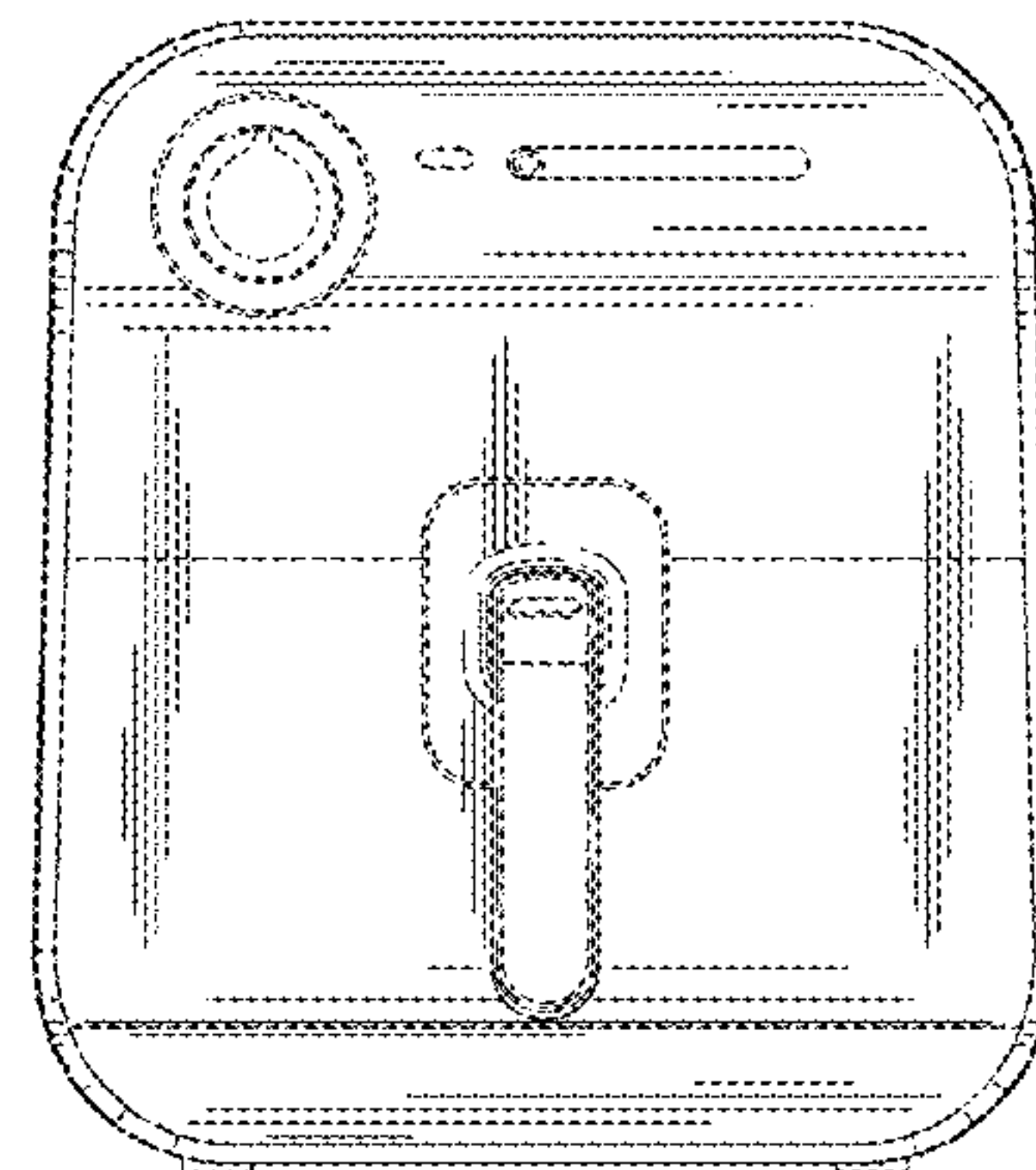
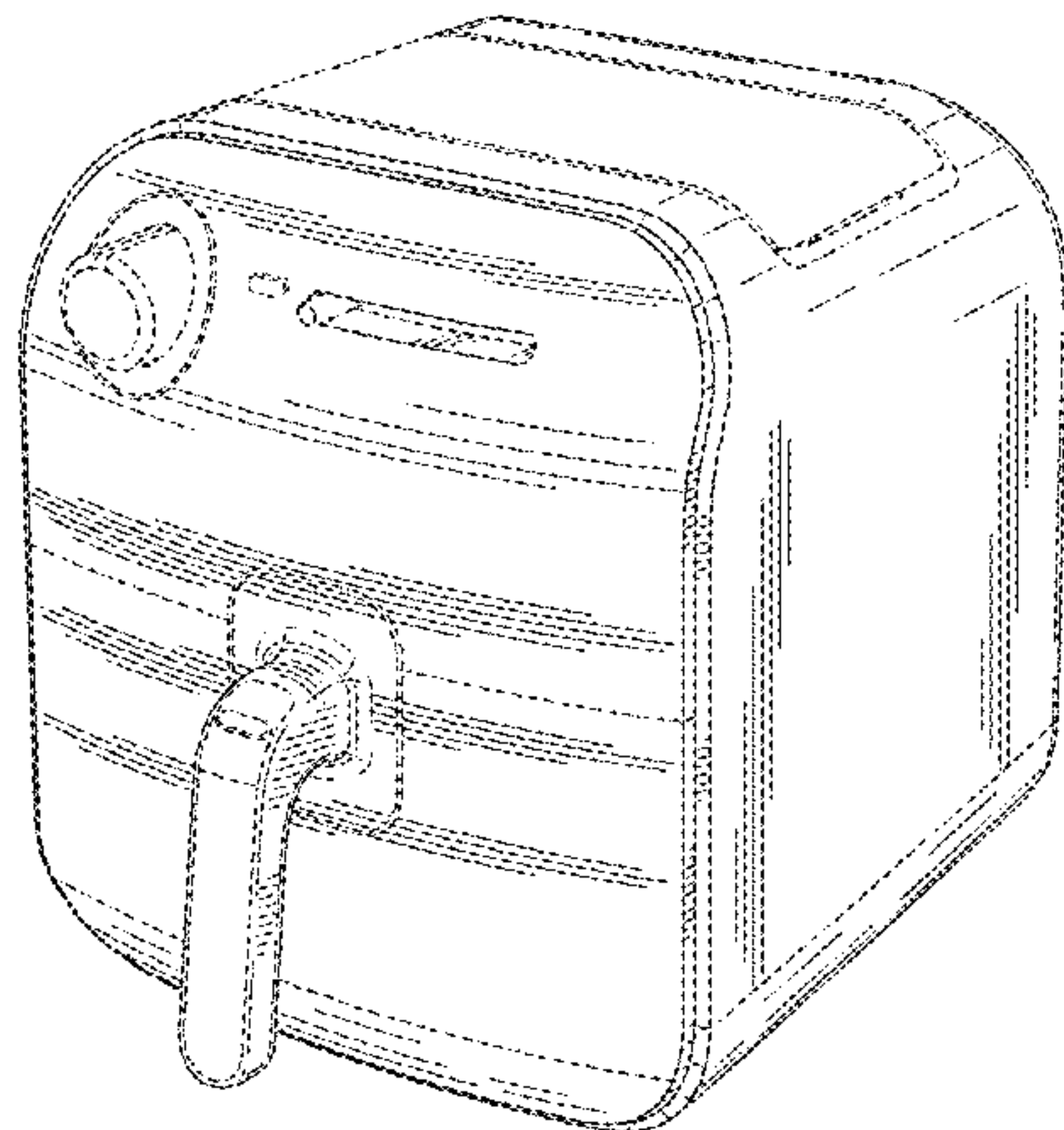
(57) **CLAIM**

The ornamental design for an electric fryer, as shown and described.

DESCRIPTION

FIG. 1 is a perspective view of an electric fryer showing my new design;
FIG. 2 is a front elevational view thereof;
FIG. 3 is a back elevational view thereof;
FIG. 4 is a right side elevational view thereof;
FIG. 5 is a left side elevational view thereof;
FIG. 6 is a top view of the electric fryer thereof; and,
FIG. 7 is a bottom view of the electric fryer thereof.
The broken lines are shown for the purpose of illustrating parts of the electric fryer that form no part of the claimed design.

1 Claim, 7 Drawing Sheets



(56)

References Cited

U.S. PATENT DOCUMENTS

D422,447 S *	4/2000	Josancy	D7/354	D645,296 S	9/2011	Saboe et al.	
D423,277 S *	4/2000	Josancy	D7/354	D646,114 S	10/2011	Wong	
D433,869 S	11/2000	Wong et al.			D647,752 S	11/2011	Curtis et al.	
6,234,067 B1	5/2001	Schmidt			D672,600 S *	12/2012	Berge D7/354
D448,238 S *	9/2001	Schmidt	A47J 36/12 D7/360	D674,651 S *	1/2013	Berge D7/354
D451,335 S	12/2001	Rossmann			D676,271 S *	2/2013	Reiner D7/354
D463,711 S *	10/2002	Josancy	D7/354	D677,112 S *	3/2013	Piret D7/354
D464,526 S *	10/2002	Brown	D7/354	D677,113 S *	3/2013	Reiner D7/354
D474,937 S	5/2003	Josancy			D677,527 S *	3/2013	Brega D7/402
D475,570 S *	6/2003	Josancy	D7/354	D680,800 S *	4/2013	Berge D7/354
D489,935 S *	5/2004	Choi	D7/354	D680,801 S	4/2013	Seymour	
D502,845 S	3/2005	Wilgus et al.			D680,802 S	4/2013	Seymour	
D539,599 S	4/2007	De'Longhi			D684,807 S	6/2013	Nakatani	
D542,592 S	5/2007	Lubowicki			D686,443 S	7/2013	Morabito	
D548,002 S	8/2007	De'Longhi			D692,718 S	11/2013	Verbrugge	
D557,552 S *	12/2007	Matras	D7/354	D712,695 S	9/2014	Horimoto	
D575,579 S	8/2008	Ball			D716,600 S *	11/2014	Dutruel D7/354
D583,616 S *	12/2008	Jerstroem	D7/354	D730,678 S	6/2015	Horimoto	
D588,860 S *	3/2009	Tienor	D7/354	D747,133 S	1/2016	Dutruel	
D589,293 S	3/2009	Averty			D750,418 S	3/2016	Allende et al.	
D592,008 S *	5/2009	Reiner	D7/354	D763,034 S	8/2016	Berge	
D604,093 S *	11/2009	Moussu	D7/360	D765,460 S	9/2016	Akiyama	
D611,757 S *	3/2010	Reiner	D7/354	D793,797 S *	8/2017	Krooshof D7/354
D620,744 S *	8/2010	Rose	D7/354	D802,986 S *	11/2017	Krooshof D7/354
D635,816 S	4/2011	Tse			D814,232 S *	4/2018	Barquin D7/354
					D816,390 S *	5/2018	Zhang D7/354
					2007/0221651 A1	9/2007	Kristina et al.	
					2016/0287001 A1	10/2016	Pan et al.	

* cited by examiner

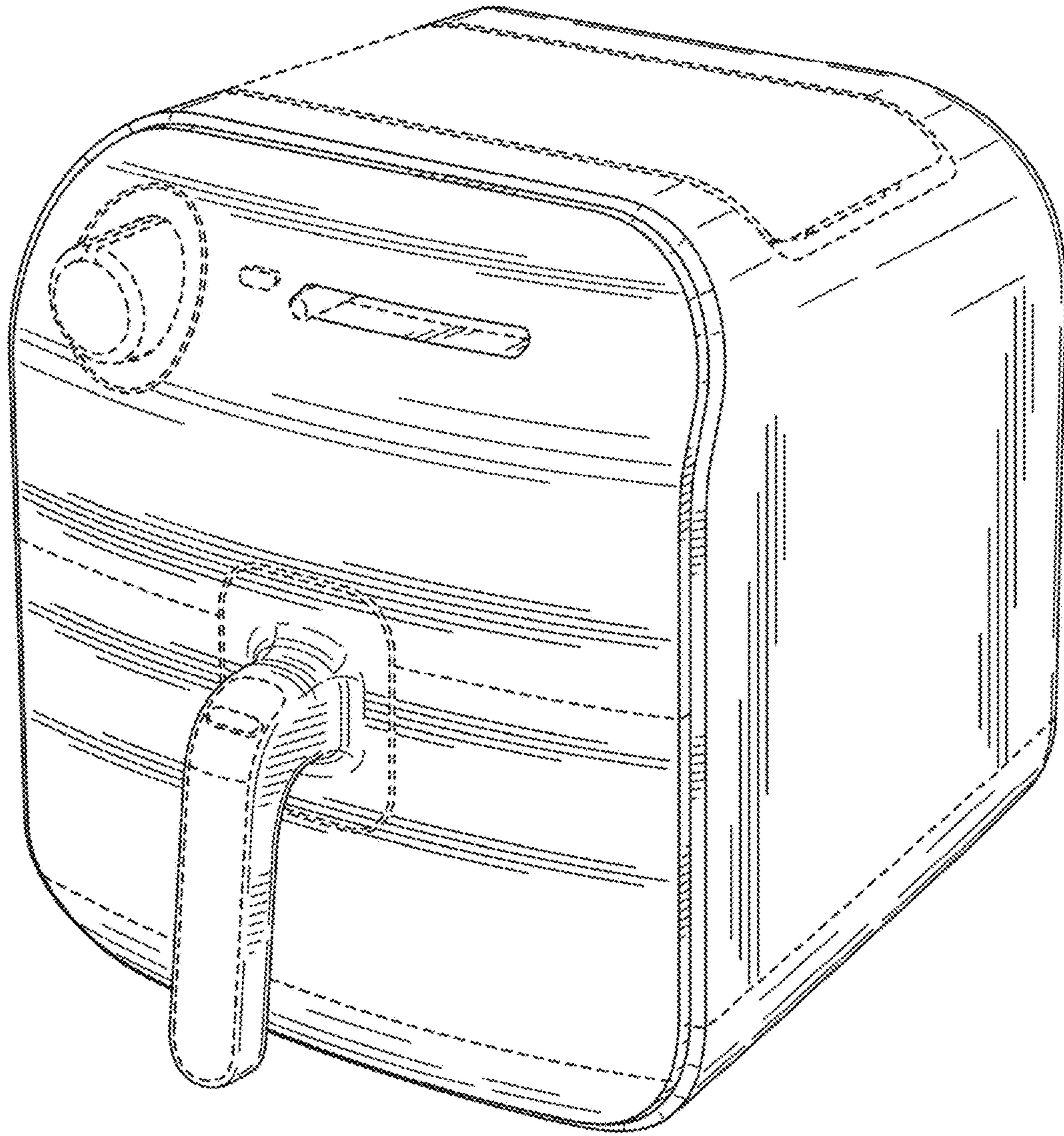


FIG. 1

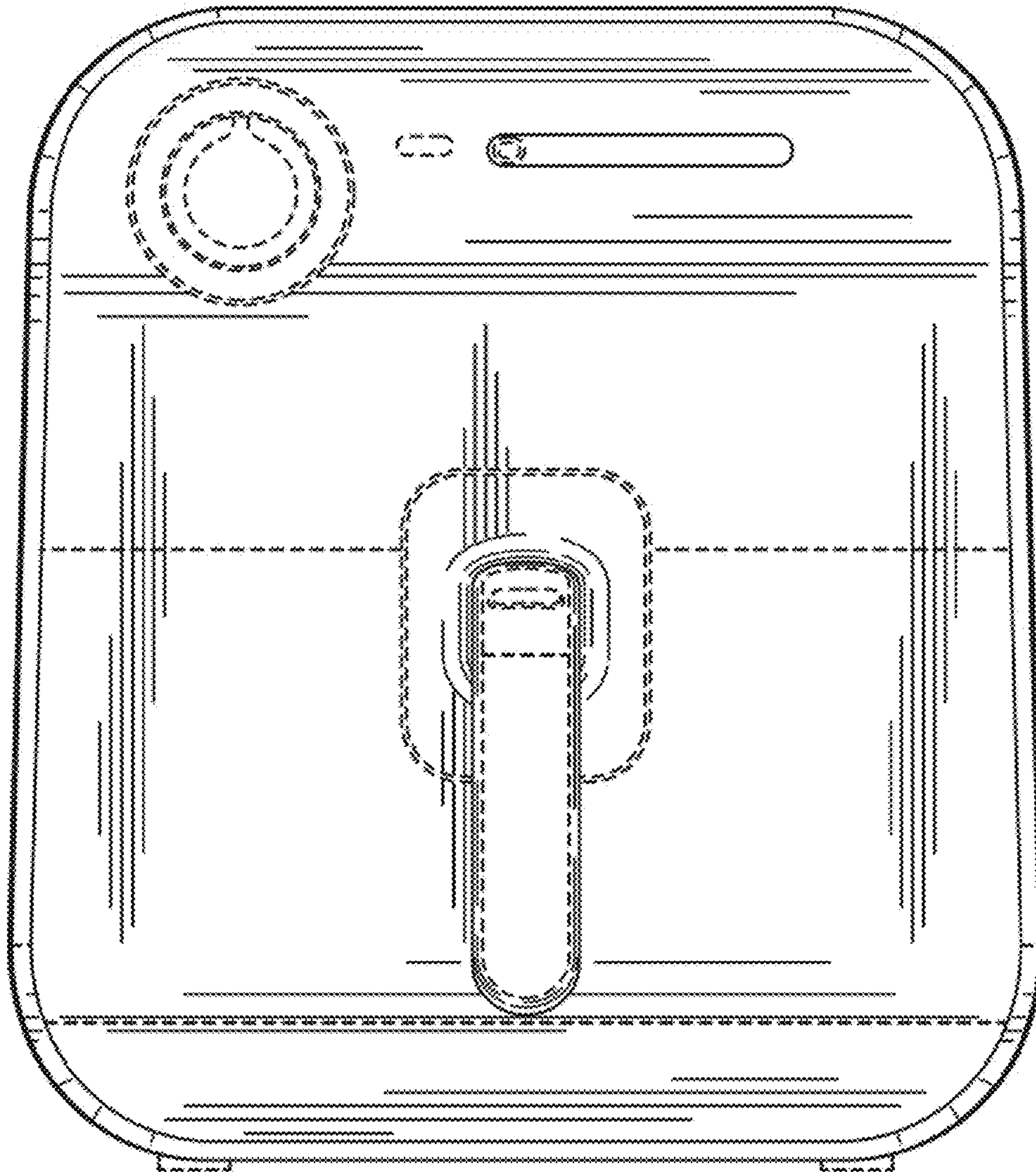


FIG. 2

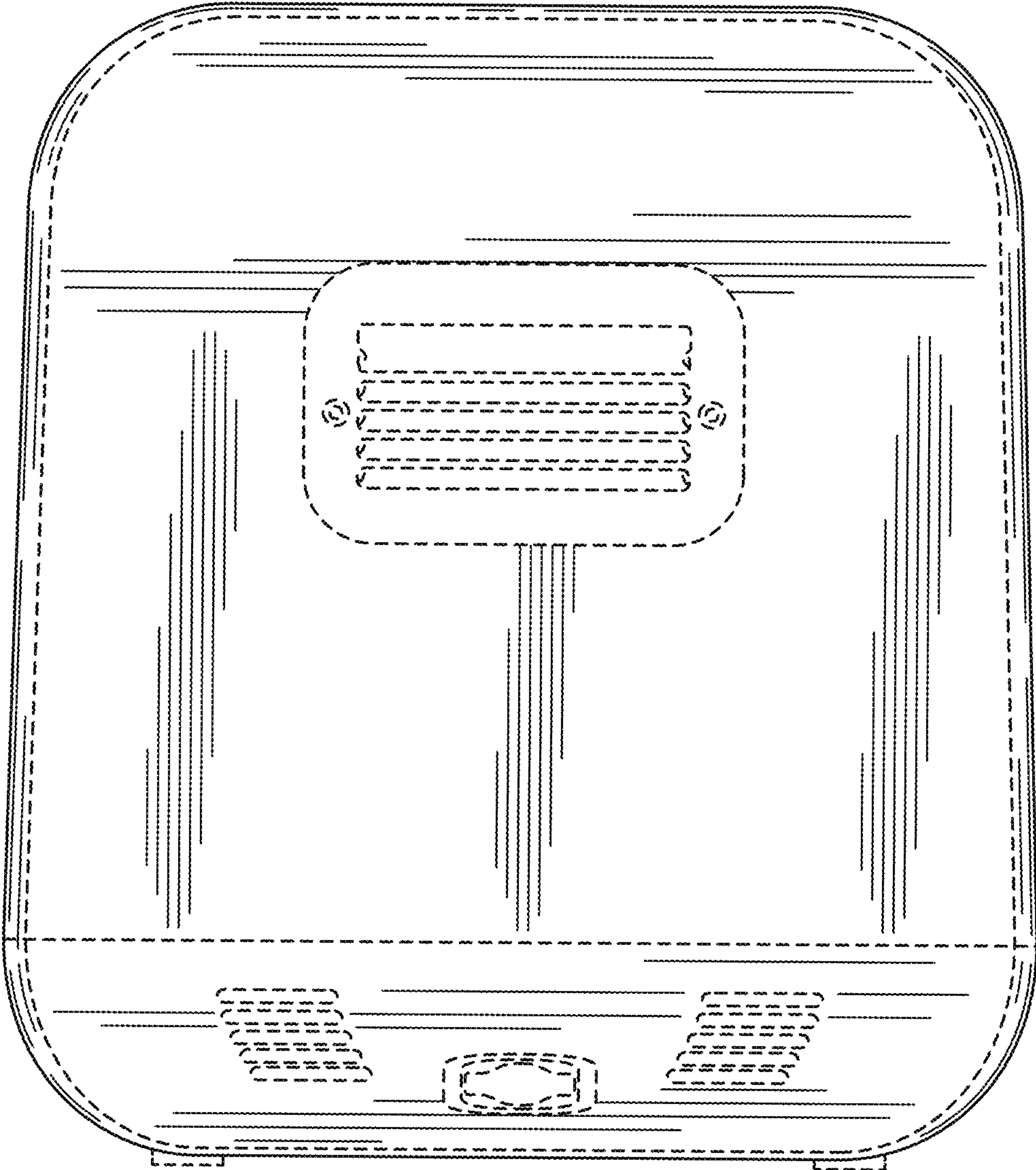


FIG. 3

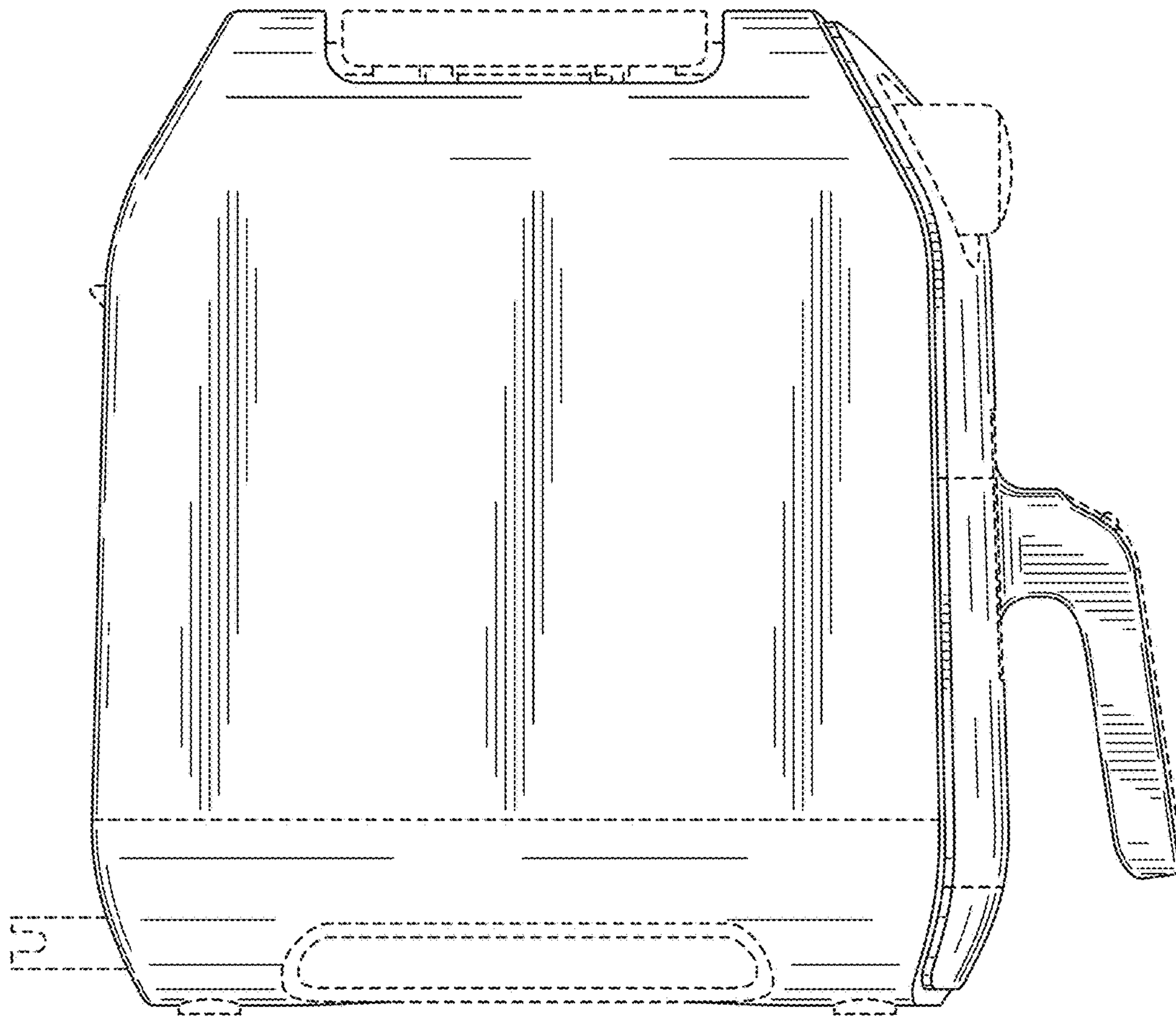


FIG. 4

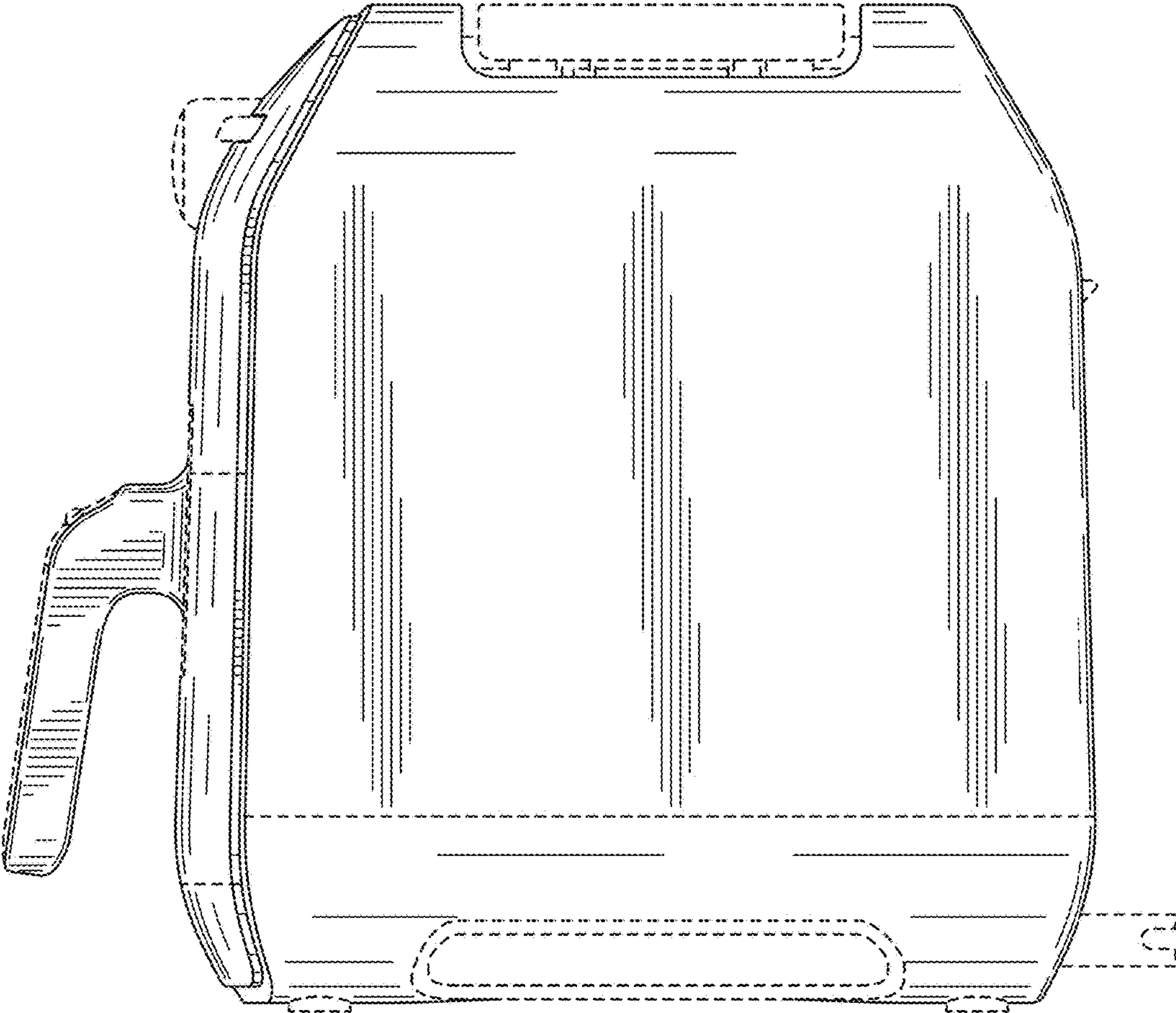


FIG. 5

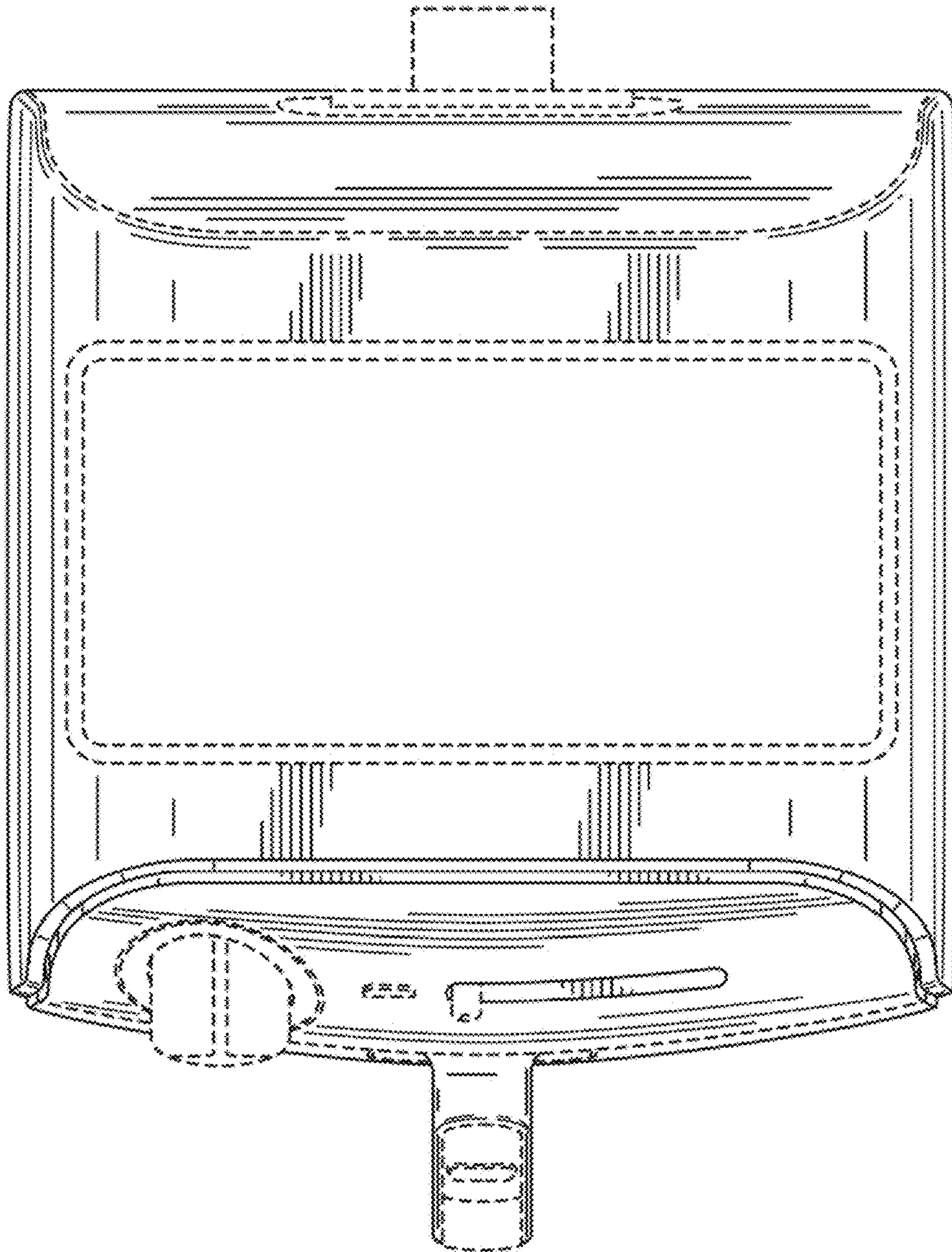


FIG. 6

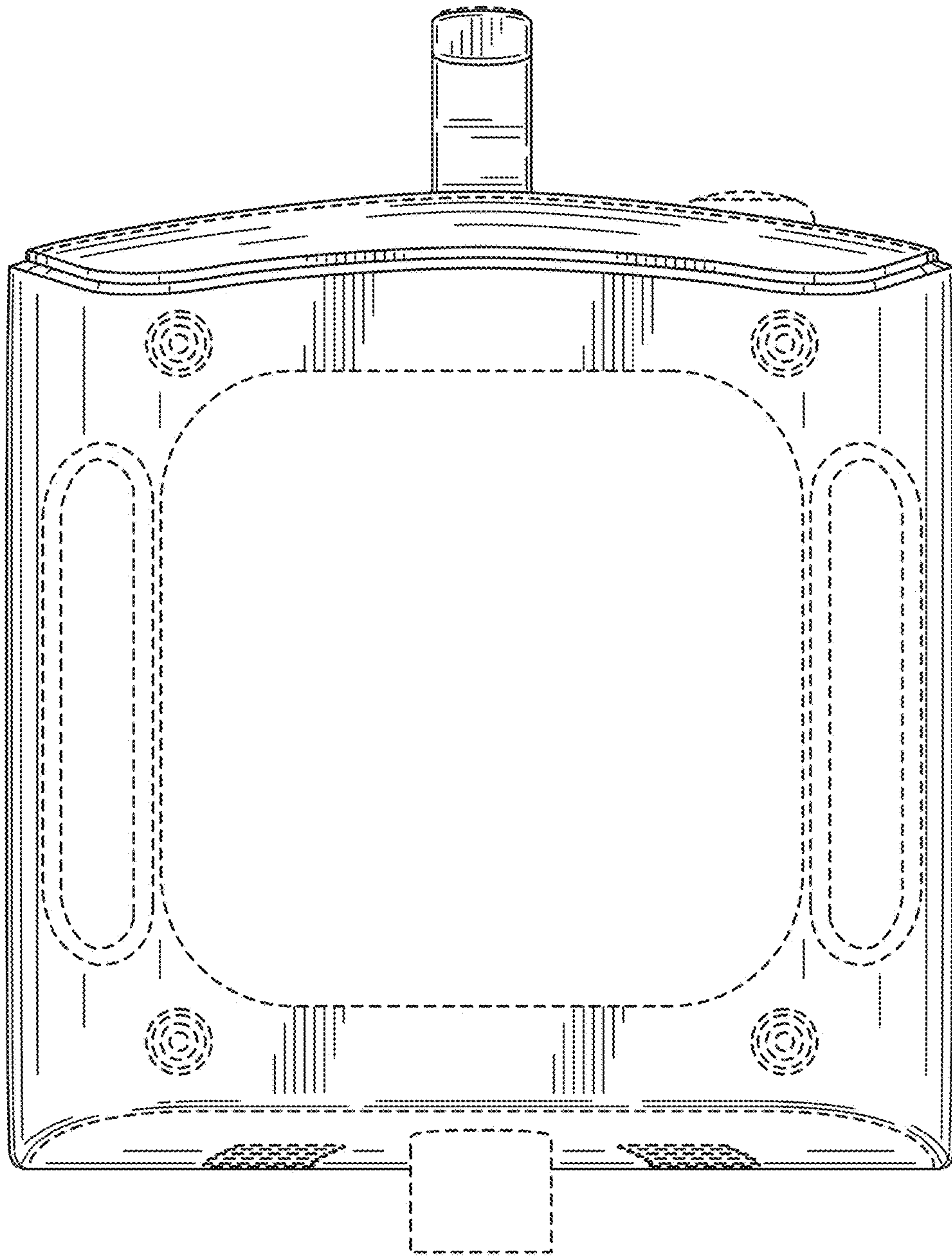


FIG. 7