



US00D836380S

(12) **United States Design Patent**
Choi et al.

(10) **Patent No.:** **US D836,380 S**

(45) **Date of Patent:** **** Dec. 25, 2018**

- (54) **ELECTRIC RICE COOKER**
- (71) Applicant: **Dayou Winia Co., Ltd.**, Asani-si (KR)
- (72) Inventors: **Young Joon Choi**, Goyang-si (KR);
Tae Hyun Kim, Seoul (KR); **Ho Gyu Lee**, Seoul (KR)
- (73) Assignee: **Dayou Winia Co., Ltd.**, Asani-si (KR)
- (**) Term: **15 Years**
- (21) Appl. No.: **29/580,562**
- (22) Filed: **Oct. 11, 2016**

(30) **Foreign Application Priority Data**

Jul. 22, 2016 (KR) 30-2016-0035998

(51) **LOC (11) Cl.** **07-02**

(52) **U.S. Cl.**
USPC **D7/354**

(58) **Field of Classification Search**
USPC D7/323, 337, 339-341, 352, 354-358,
D7/360-367, 393, 402-403, 407-411,
D7/601, 605, 629, 701, 703; D9/761
CPC A21B 1/06; A21B 1/50; A21B 1/52; A47J
37/04; A47J 37/06; A47J 37/015; A47J
37/067; A47J 37/0611; A47J 37/0629;
A47J 37/0676; A47J 37/108; F24C 7/06;
F24C 7/083; F24C 15/02; F24C 15/66;
H05B 3/20; H05B 3/40
See application file for complete search history.

(56) **References Cited**

U.S. PATENT DOCUMENTS

- 6,077,555 A * 6/2000 Dotan A47J 37/1228
426/438
- D489,223 S * 5/2004 Jung D7/354
- 6,742,444 B1 * 6/2004 Lai A47J 37/12
99/330

- 6,807,899 B2 * 10/2004 Dirand A47J 37/12
99/403
- D498,115 S * 11/2004 Shin D7/354
- D587,960 S * 3/2009 Kotani D7/354
- D684,807 S * 6/2013 Nakatani D7/354
- D704,500 S * 5/2014 Kim D7/354
- D715,088 S * 10/2014 Kim D7/354
- D803,614 S * 11/2017 Choi D7/354

(Continued)

OTHER PUBLICATIONS

Cuckoo Crp-chsn1010fs Full Stainless 2.0 Electric Ih Pressure Rice Cooker, posted at Ricecooker.usinfo.biz, posted on Oct. 17, 2017, site visited Jan. 30, 2018, <<http://ricecooker.usinfo.biz/tag/220v/>>.*

(Continued)

Primary Examiner — Barbara Fox
Assistant Examiner — Messina L Smith
(74) *Attorney, Agent, or Firm* — NSIP Law

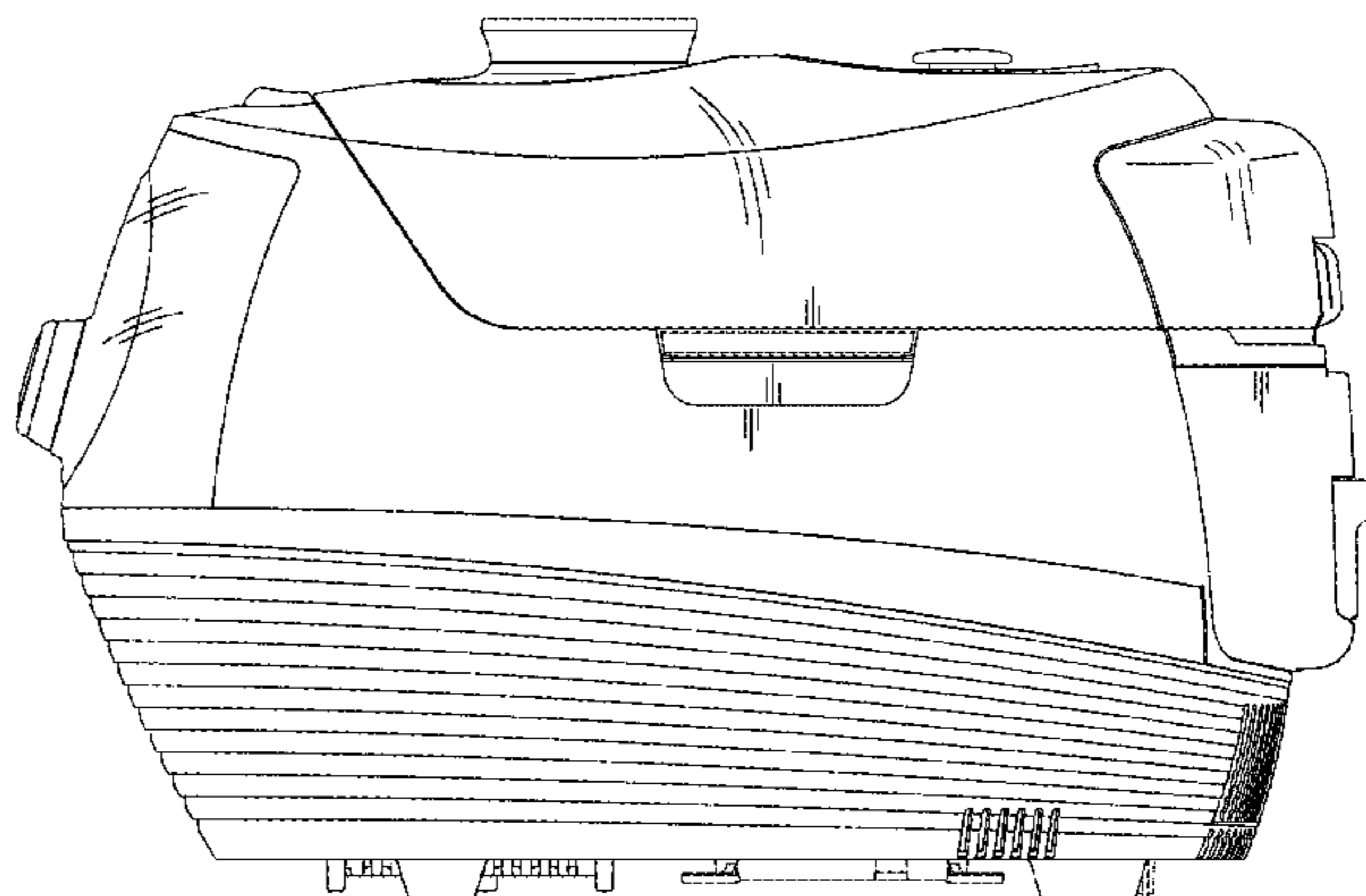
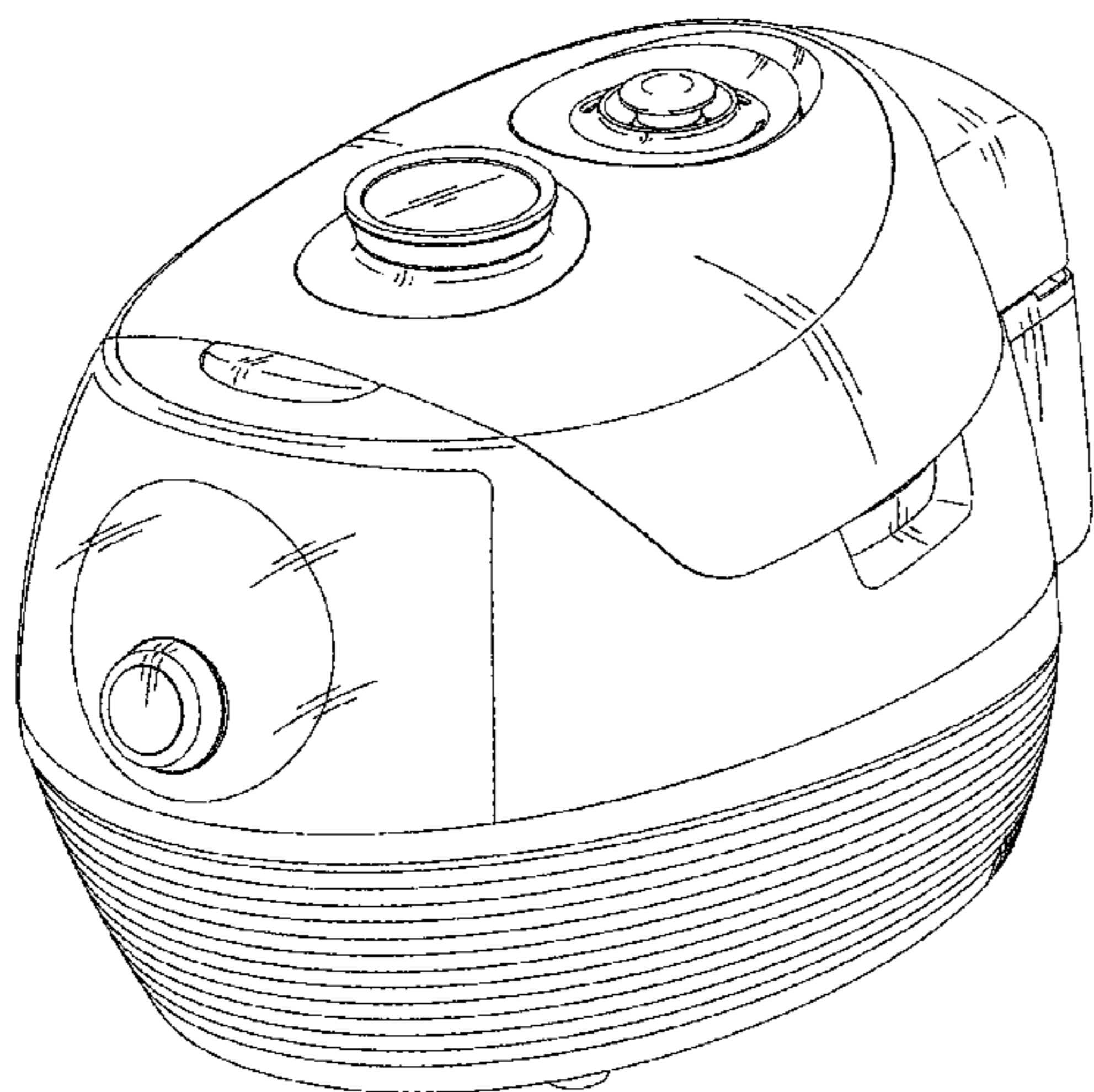
(57) **CLAIM**

The ornamental design for an electric rice cooker, as shown and described.

DESCRIPTION

FIG. 1 is a perspective view of an electric rice cooker according to the invention.
FIG. 2 is a front view of the electric rice cooker shown in FIG. 1.
FIG. 3 is a rear view of the electric rice cooker shown in FIG. 1.
FIG. 4 is a left side view of the electric rice cooker shown in FIG. 1.
FIG. 5 is a right side view of the electric rice cooker shown in FIG. 1.
FIG. 6 is a top view of the electric rice cooker shown in FIG. 1; and,
FIG. 7 is a bottom view of the electric rice cooker shown in FIG. 1.

1 Claim, 7 Drawing Sheets



(56)

References Cited

U.S. PATENT DOCUMENTS

2011/0003048 A1* 1/2011 Sugimoto A47J 27/004
426/509
2016/0278564 A1* 9/2016 Huang A47J 27/04

OTHER PUBLICATIONS

Dim Cook IH Electric Pressure WDCH-B0604FWF, posted at Winiamando.com, posted on Feb. 19, 2016, site visited Jan. 30, 2018, <http://www.winiamando.com/product/minutia_view.jsp?TYPE_SEQ=18&PRODUCT_SEQ=1671&STARTROW=>>.*

* cited by examiner

FIG. 1

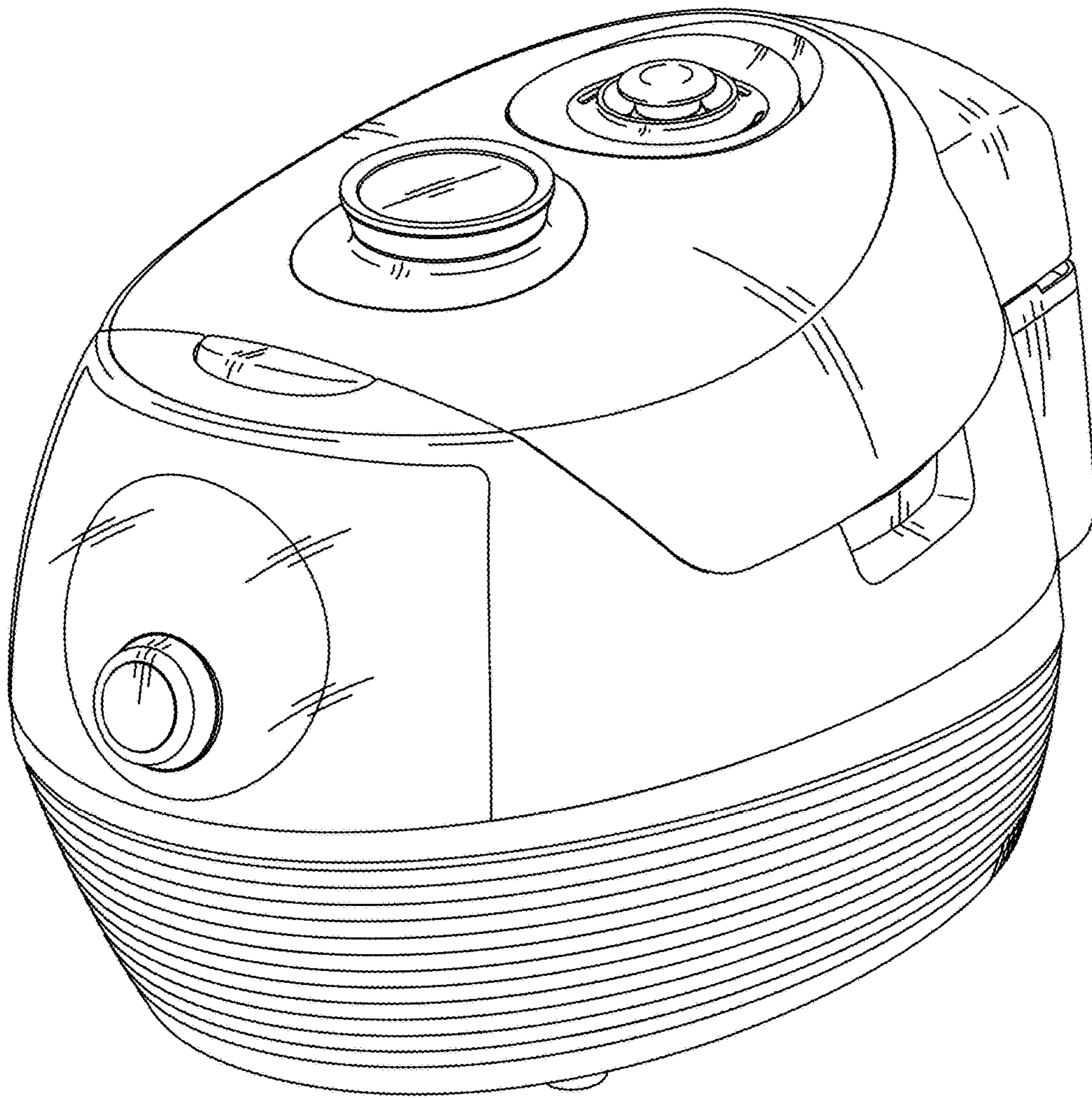


FIG. 2

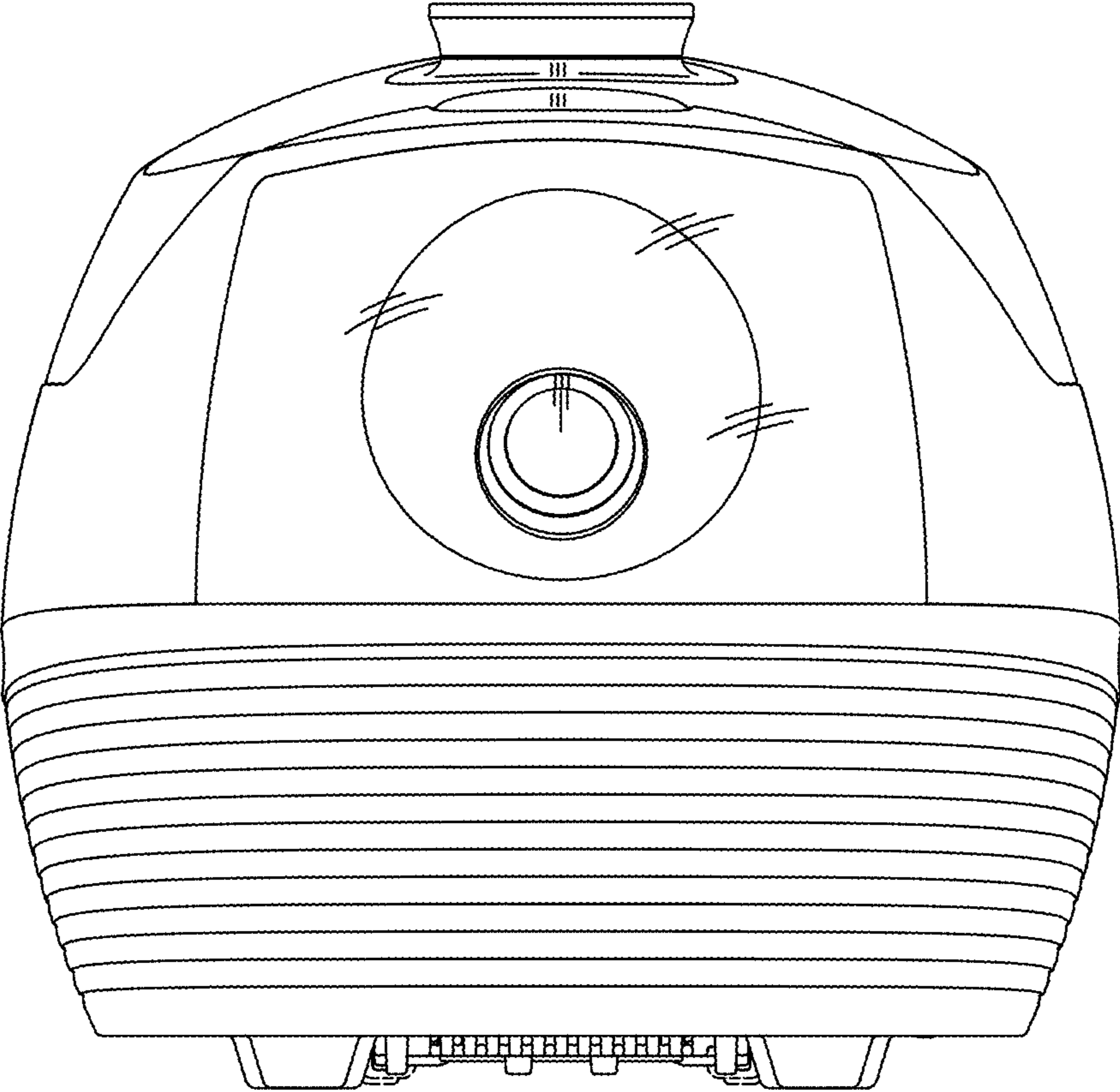


FIG. 3

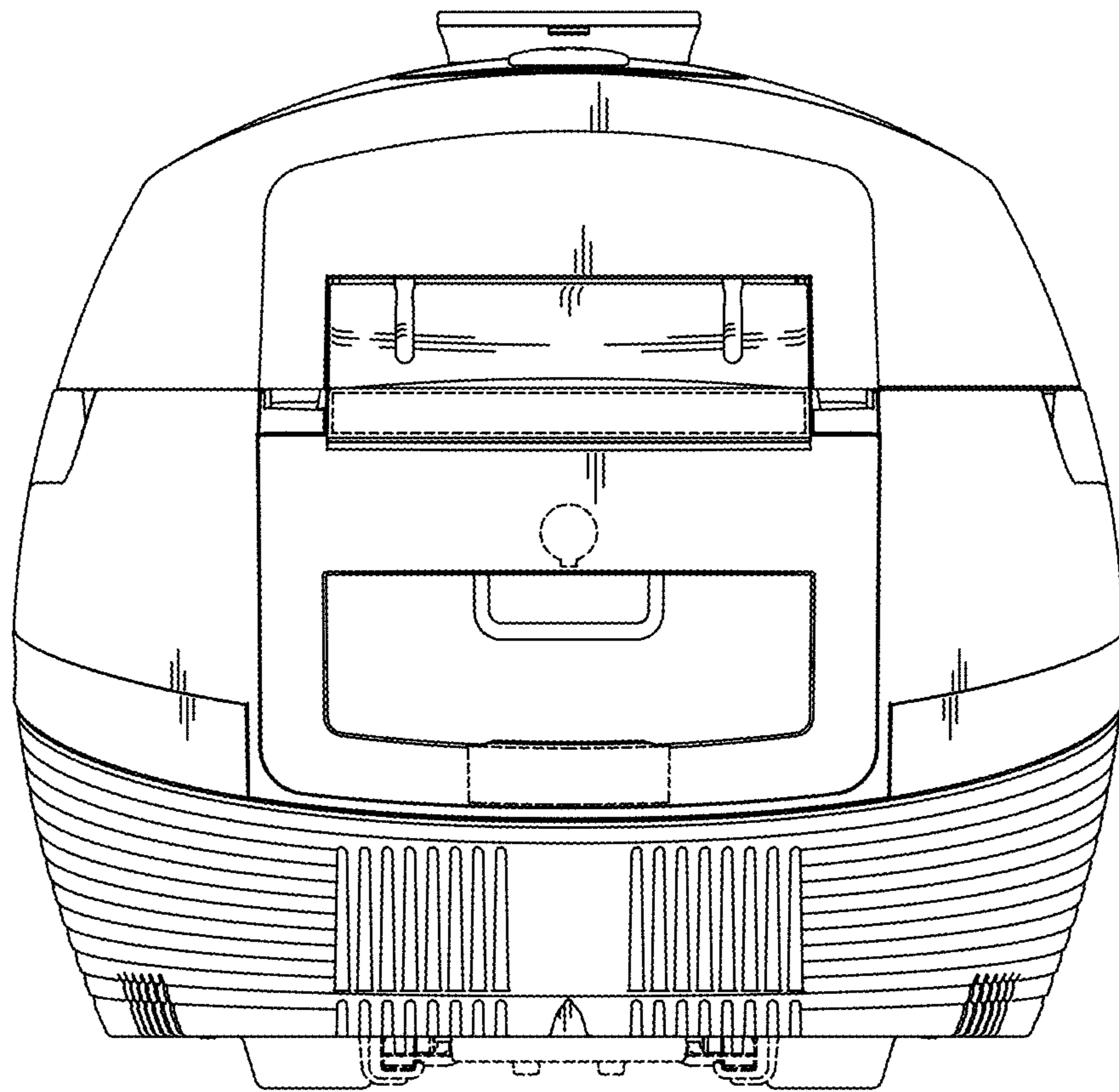


FIG. 4

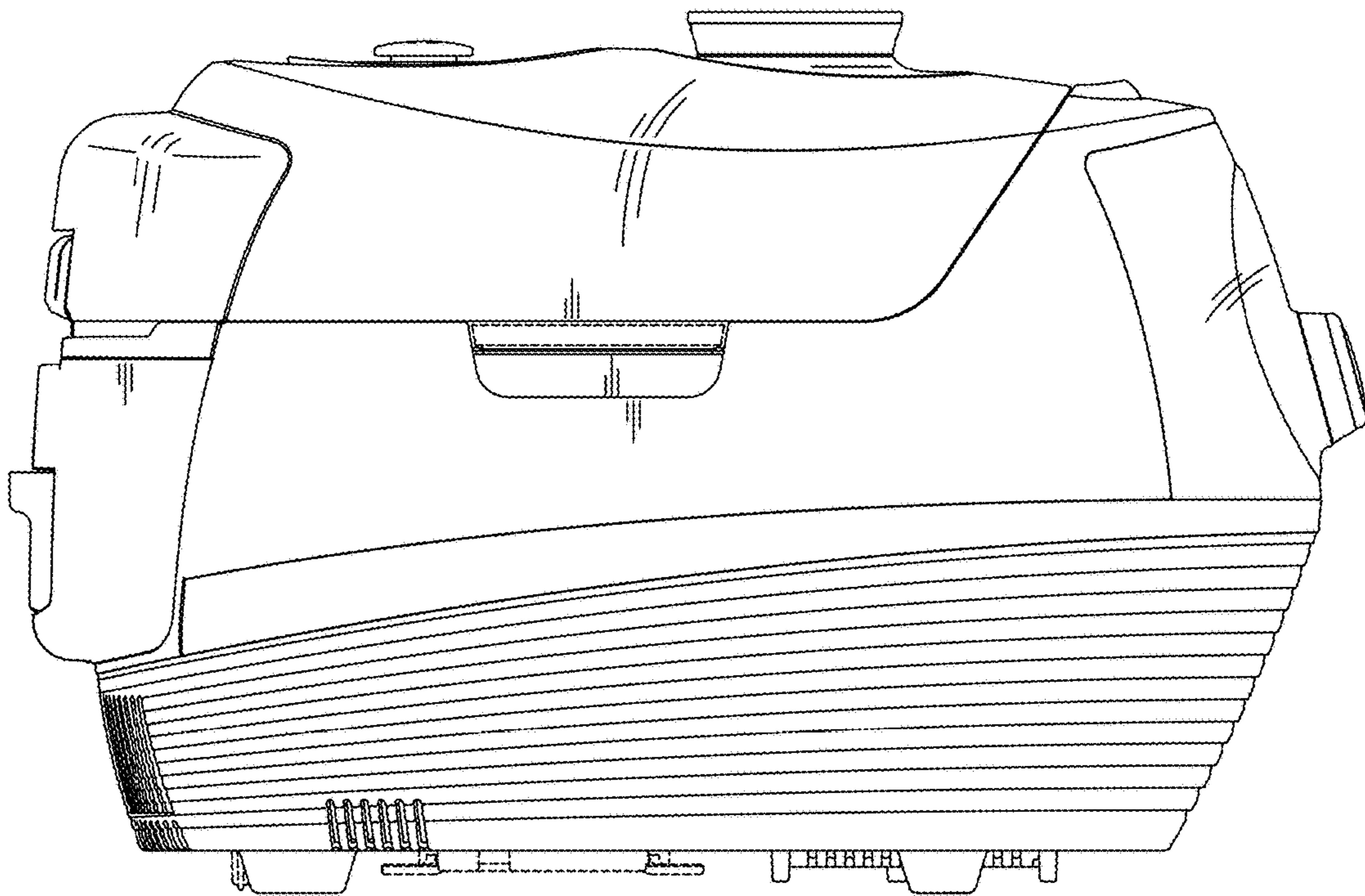


FIG. 5

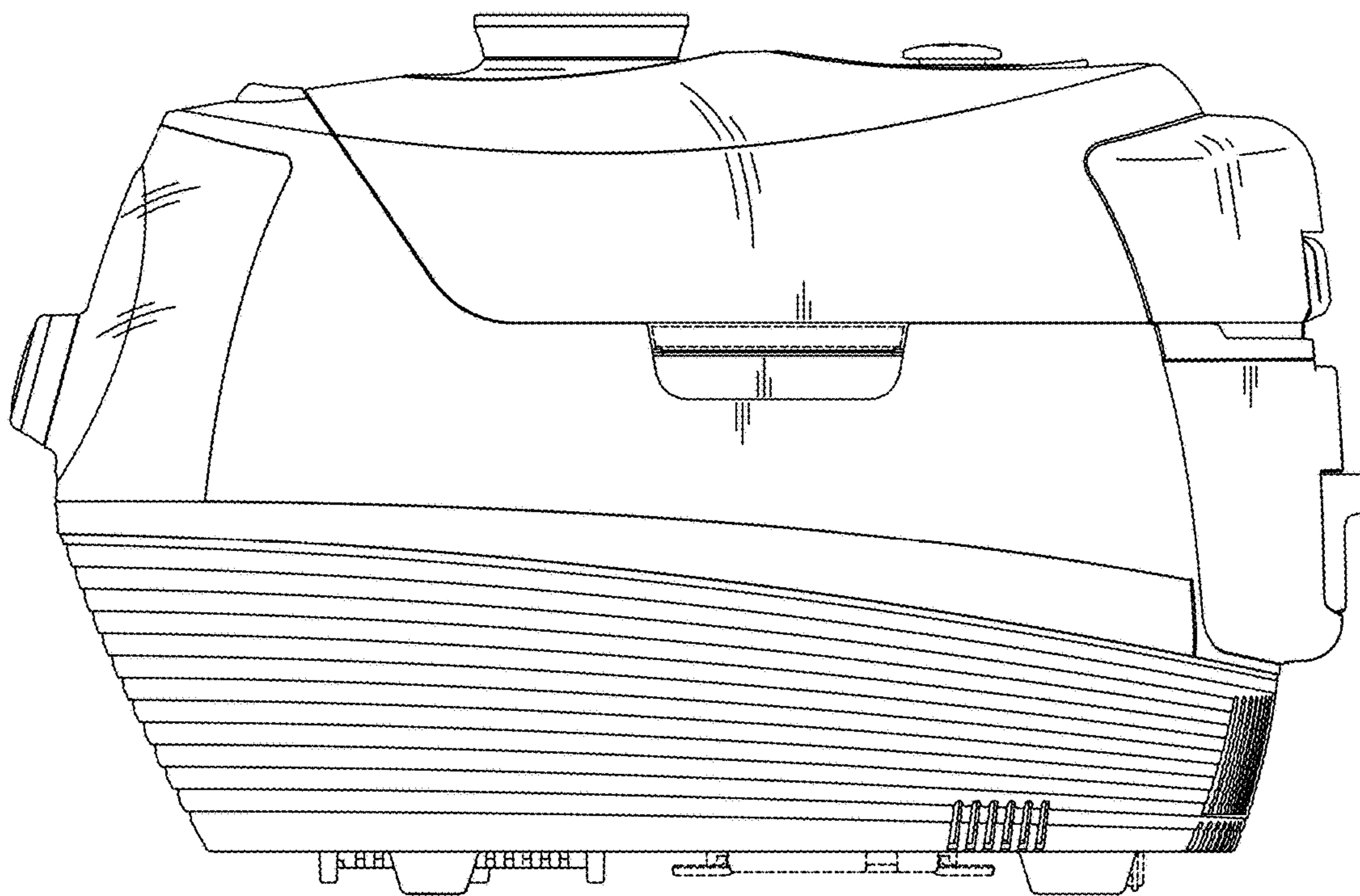


FIG. 6

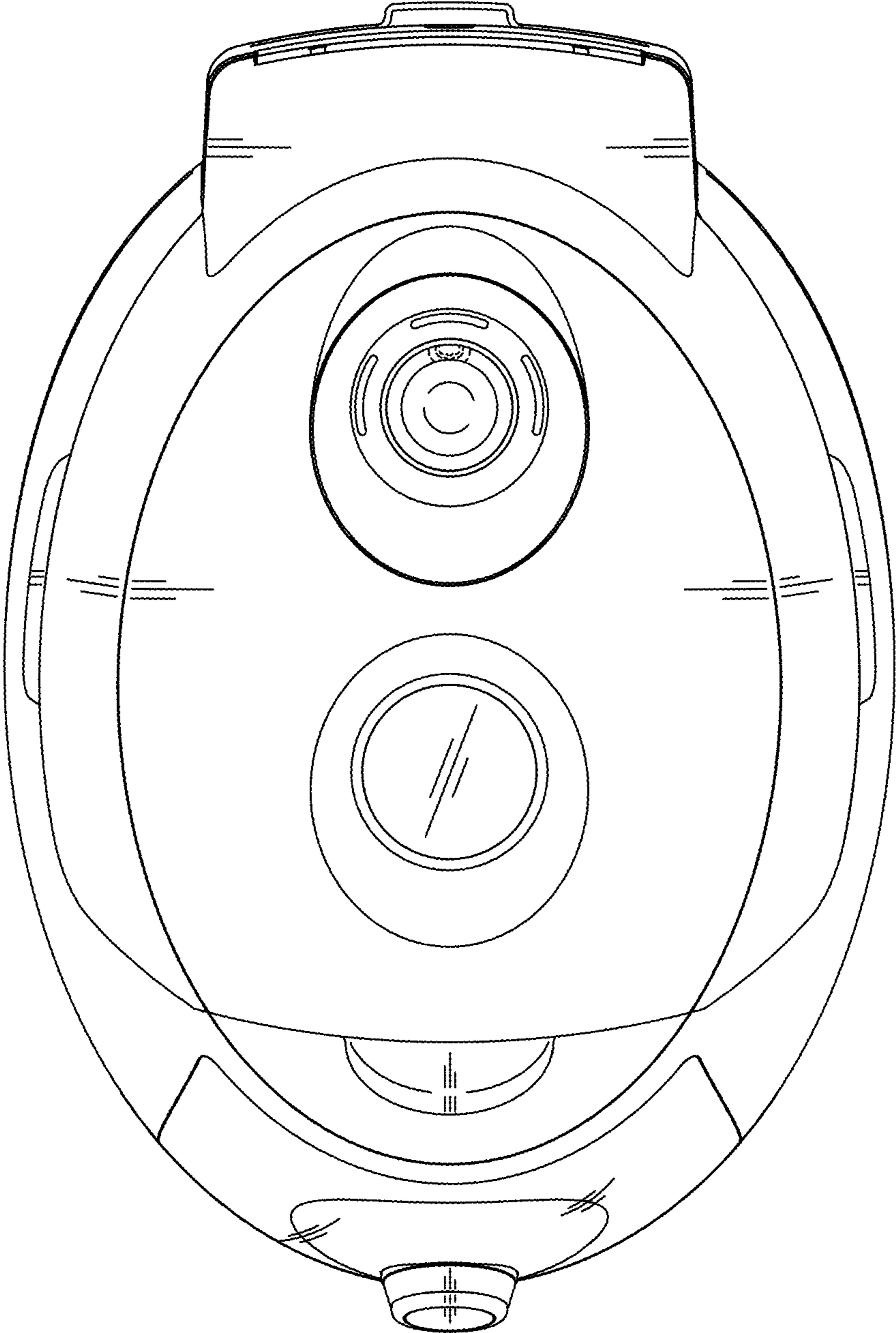


FIG. 7

