

US00D836379S

(12) **United States Design Patent** (10) **Patent No.:** **US D836,379 S**
Lee (45) **Date of Patent:** **** Dec. 25, 2018**

(54) **COOKING PAN**
(71) Applicant: **ZAIGLE CO., LTD.**, Seoul (KR)
(72) Inventor: **Jin Hee Lee**, Seoul (KR)
(73) Assignee: **ZAIGLE CO., LTD.**, Seoul (KR)
(**) Term: **15 Years**
(21) Appl. No.: **29/630,448**
(22) Filed: **Dec. 21, 2017**

(30) **Foreign Application Priority Data**

Jun. 23, 2017 (KR) 30-2017-0028942

(51) **LOC (11) Cl.** **07-02**
(52) **U.S. Cl.**
USPC **D7/352**; D7/359; D7/362; D7/409
(58) **Field of Classification Search**
USPC D7/323, 328-330, 337, 347, 352-365,
D7/367, 402, 409-411; D9/424
CPC . A21B 5/023; A47J 27/60; A47J 27/62; A47J
37/04; A47J 37/06; A47J 37/067; A47J
37/0605; A47J 37/0611; A47J 37/0623;
A47J 37/0629; A47J 37/0676; A47J
2037/06; A47J 2037/0611; B05C 17/02;
B65D 1/34; F24C 15/10; F24C 15/102;
H05B 6/02; H05B 6/062
See application file for complete search history.

(56) **References Cited**

U.S. PATENT DOCUMENTS

D118,234 S * 12/1939 Grundstrom B05C 17/02
D7/409
D154,195 S * 6/1949 Beck D7/359
D184,525 S * 3/1959 Lurie D9/424

3,583,623 A * 6/1971 Golner B65D 1/34
220/608
D339,264 S * 9/1993 Lee D7/354
D340,615 S * 10/1993 Guerrier D7/365
D359,879 S * 7/1995 Fielding D7/354
D458,078 S * 6/2002 Lin D7/362
D653,904 S * 2/2012 Lee D7/362
D710,144 S * 8/2014 Lee D7/362
D730,679 S * 6/2015 Wu D7/362
D795,001 S * 8/2017 Lee D7/362
2006/0260086 A1 * 11/2006 Boehm B05C 17/02
15/257.06

* cited by examiner

Primary Examiner — Ricky Pham

(74) *Attorney, Agent, or Firm* — Kile Park Reed & Houtteman PLLC

(57) **CLAIM**

I claim, the ornamental design for a cooking pan, as shown and described.

DESCRIPTION

FIG. 1 is a top and front perspective view of a cooking pan, showing my new design;
FIG. 2 is a front view thereof;
FIG. 3 is a rear view thereof;
FIG. 4 is a left side view thereof;
FIG. 5 is a right side view thereof;
FIG. 6 is a top view thereof;
FIG. 7 is a bottom view thereof; and,
FIG. 8 is an exploded reference perspective view showing how the cooking pan is placed on a heating cooker in the arrow direction.
The broken lines in FIG. 8 are shown for the purpose of illustrating parts of the heating cooker that form no part of the claim.

1 Claim, 6 Drawing Sheets

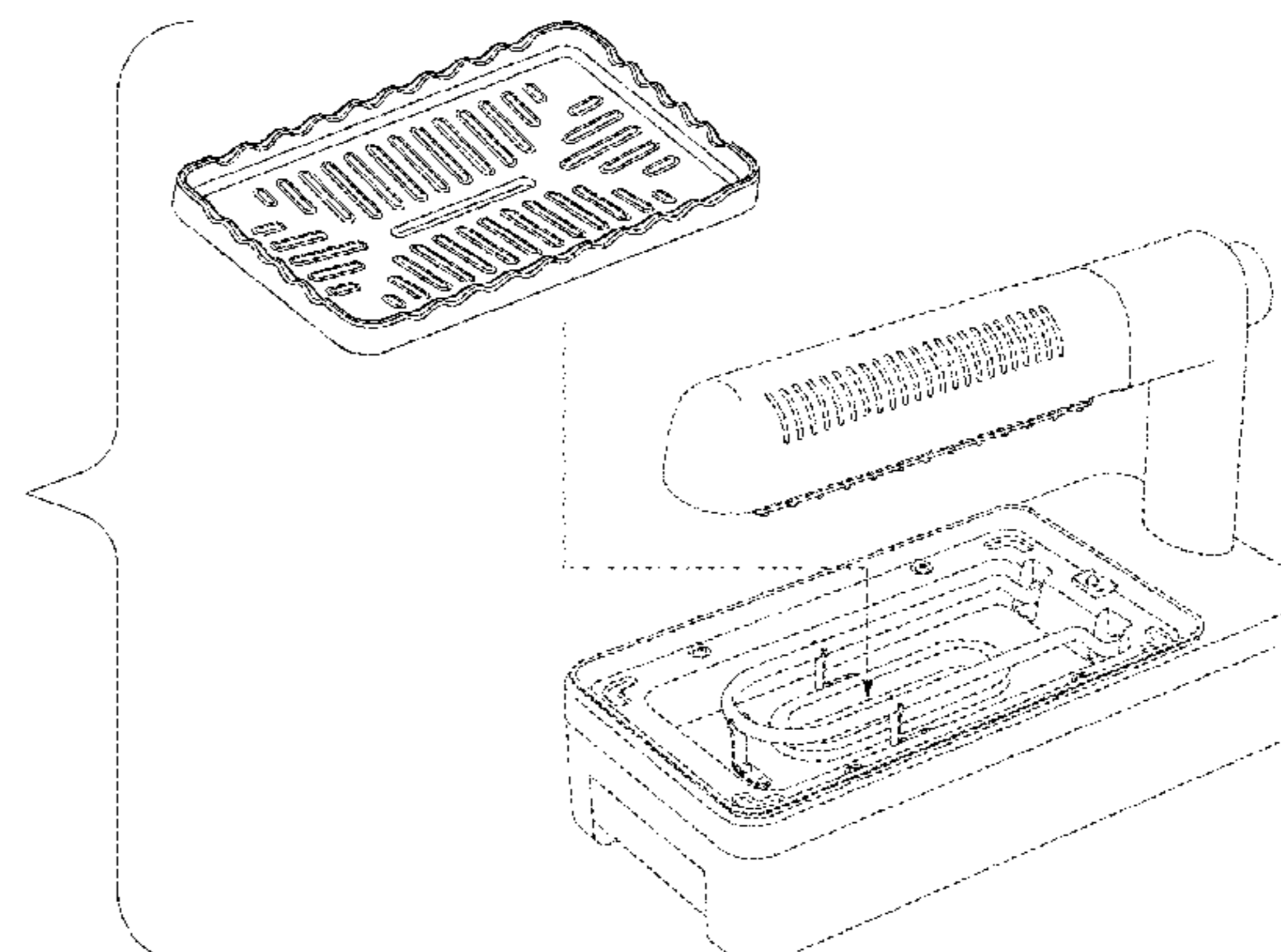
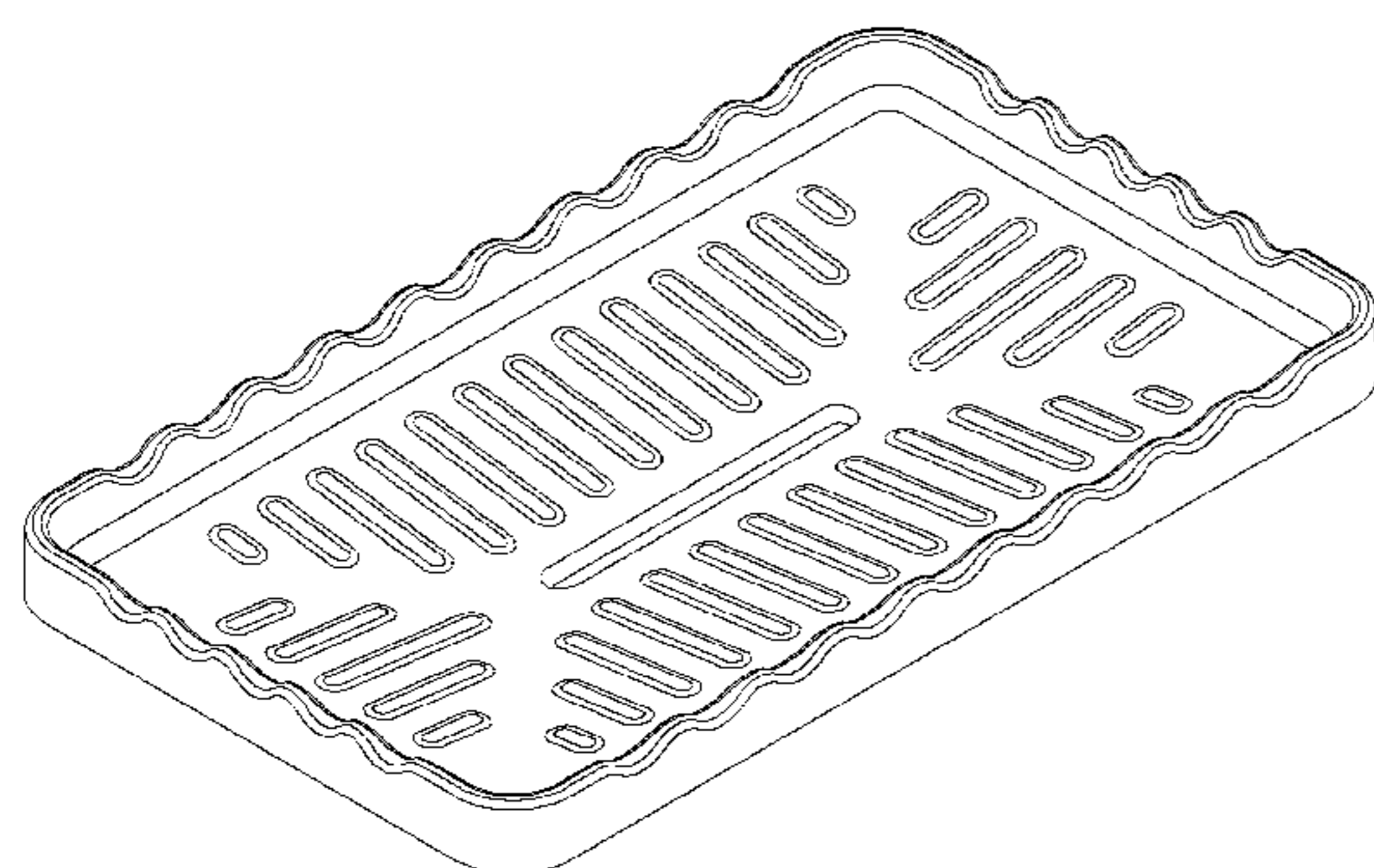


FIG. 1

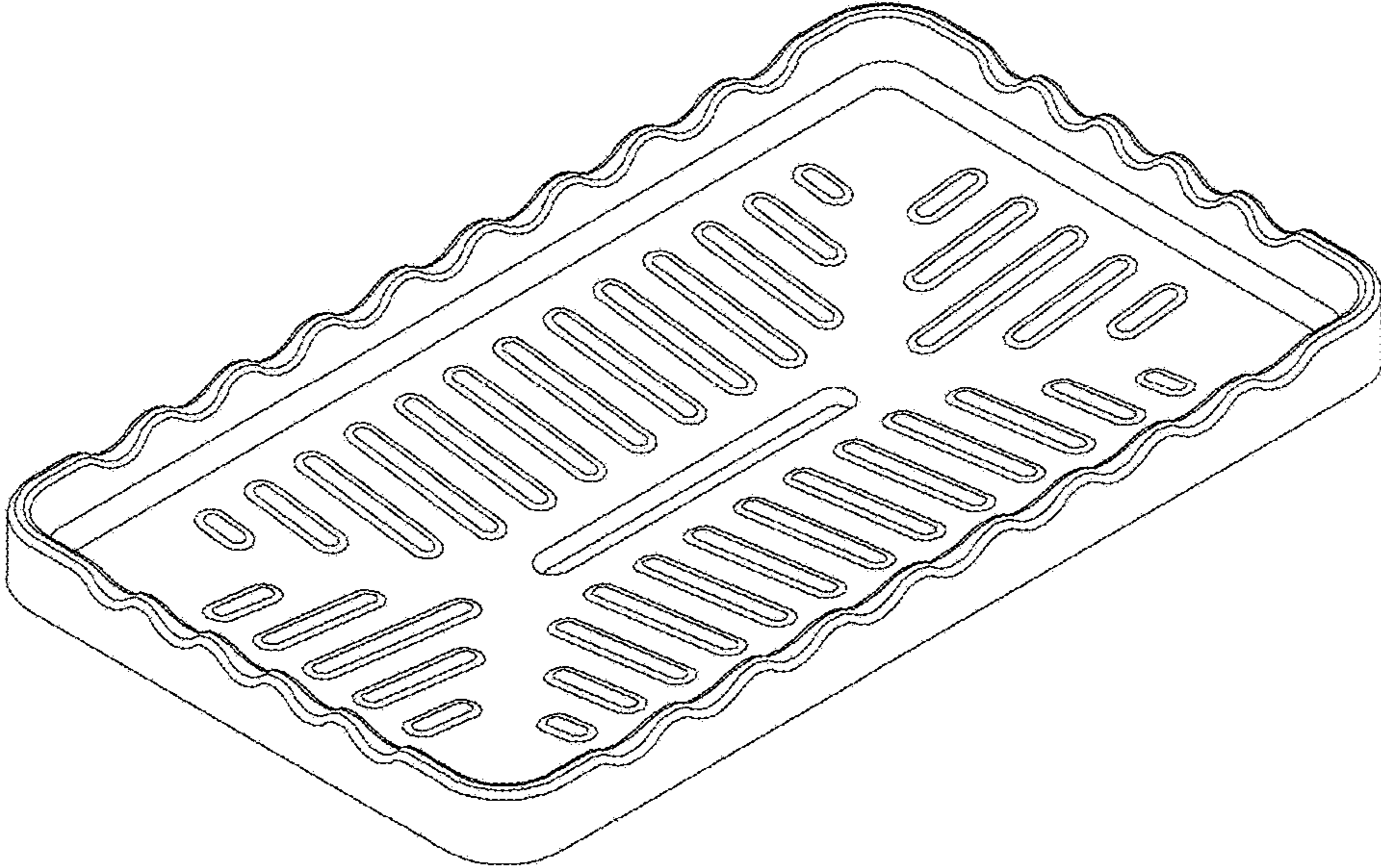


FIG. 2

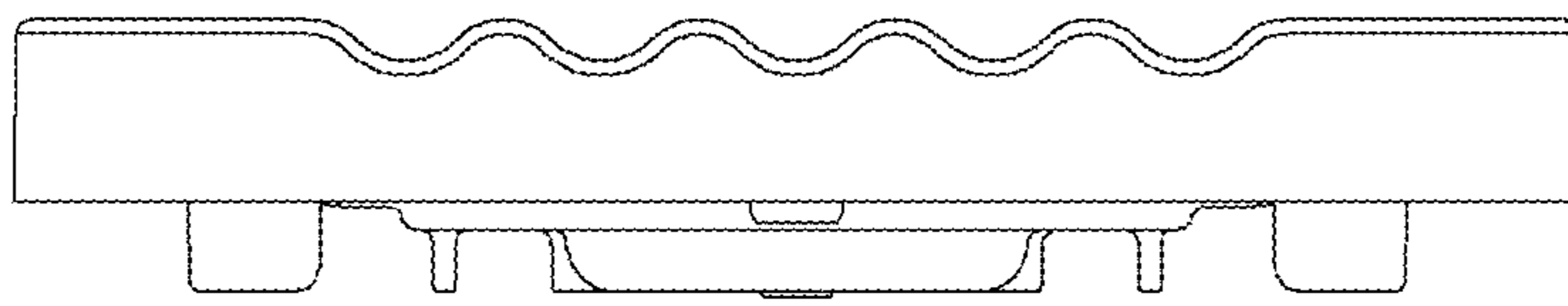


FIG. 3

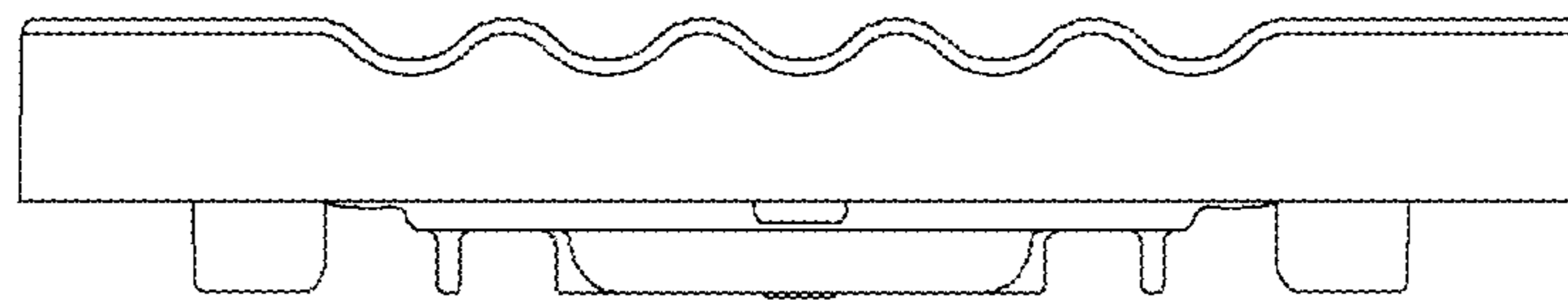


FIG. 4

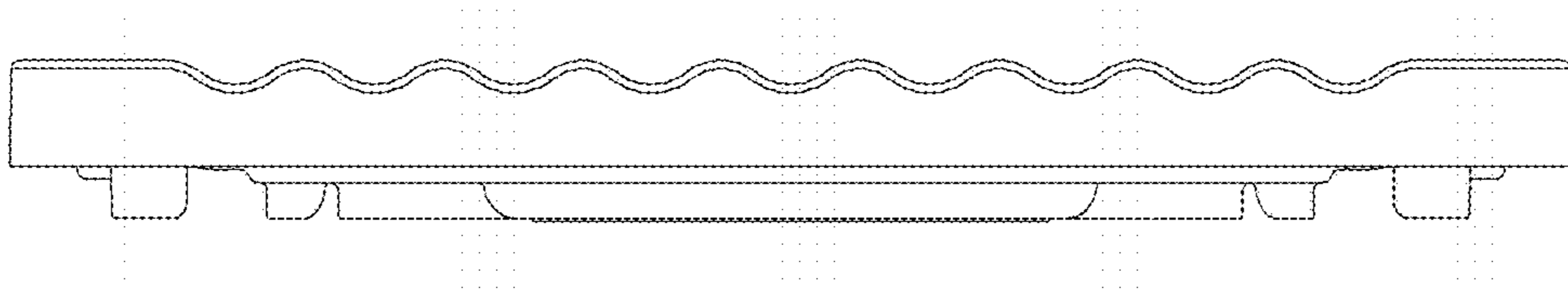


FIG. 5

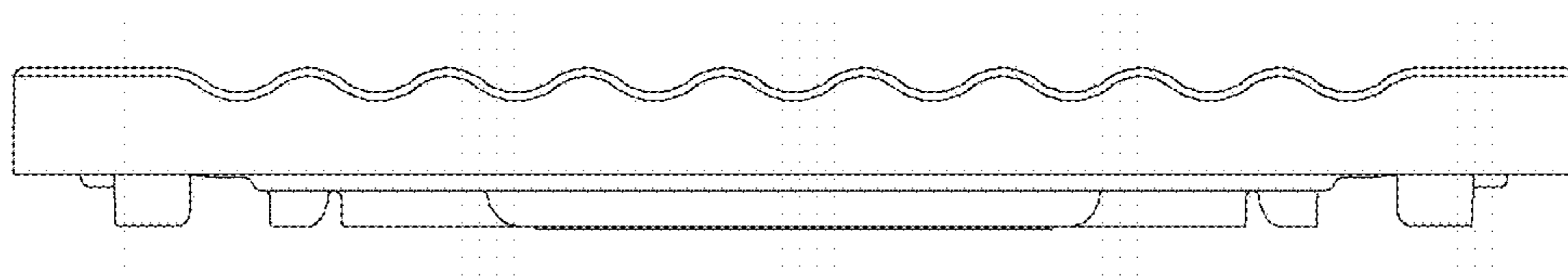


FIG. 6

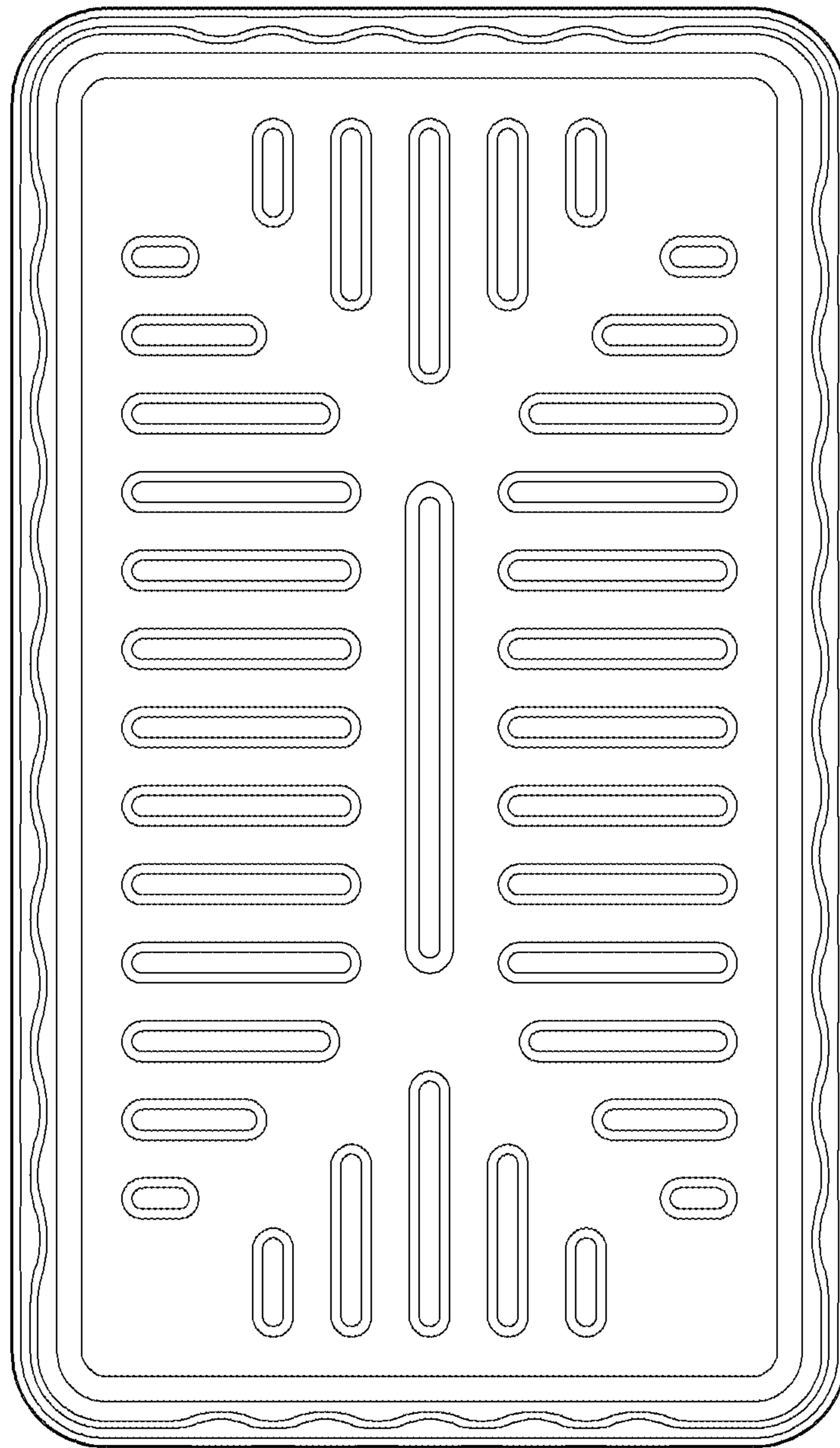


FIG. 7

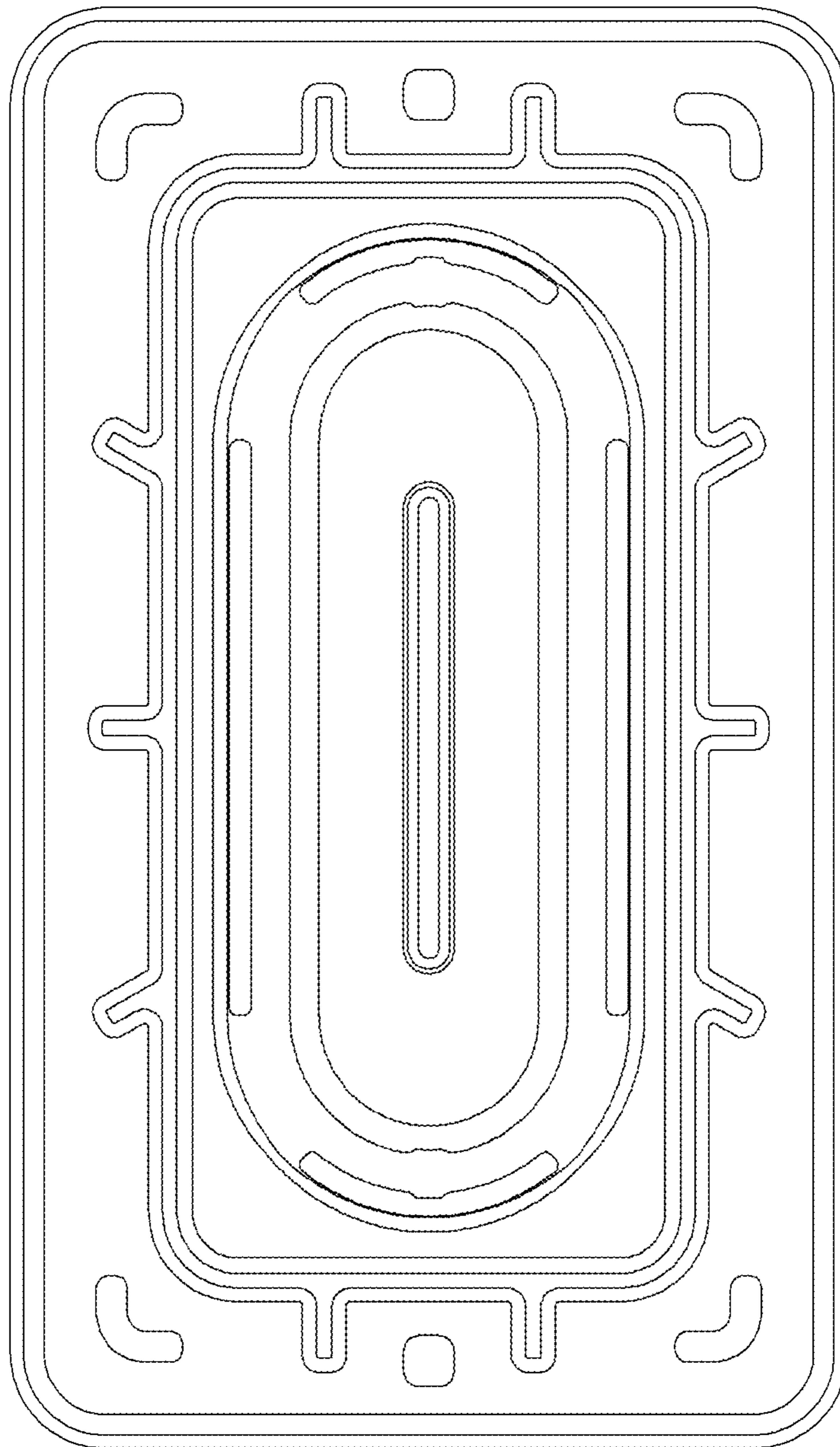


FIG. 8

