



US00D836373S

(12) **United States Design Patent**
Lah et al.

(10) **Patent No.:** **US D836,373 S**

(45) **Date of Patent:** **** Dec. 25, 2018**

(54) **COOKTOP GRATE**

(71) Applicant: **Whirlpool Corporation**, Benton Harbor, MI (US)

(72) Inventors: **Michael C. Lah**, Benton Harbor, MI (US); **Timothy A. Mayberry**, St. Joseph, MI (US); **Paul J. Neuman**, St. Joseph, MI (US); **Nicholas Righetti**, Stevensville, MI (US); **Anthony S. Roberts**, Granger, IN (US)

(73) Assignee: **Whirlpool Corporation**, Benton Harbor, MI (US)

(**) Term: **15 Years**

(21) Appl. No.: **29/587,844**

(22) Filed: **Dec. 15, 2016**

(51) **LOC (11) Cl.** **07-02**

(52) **U.S. Cl.**
USPC **D7/340**

(58) **Field of Classification Search**
USPC D7/323, 328–330, 339–349, 390, D7/402–406; D21/523–524; D8/300–306
CPC ... A21B 2/00; A47J 37/00; A47J 37/06; A47J 37/0611; A47J 37/08; A47J 37/0807; A47J 37/0814; A47J 37/0835; A47J 37/0842; A47J 37/085; A47J 37/0864; A47J 37/0878; A47J 37/0885; A47J 37/0892; F24C 7/00; F24C 7/002; F24C 7/046; F24C 7/067; F24C 15/04; F24C 15/10; F24C 15/102; F24C 15/107
See application file for complete search history.

(56) **References Cited**

U.S. PATENT DOCUMENTS

341,062 A * 5/1886 Sheaffer F24C 15/10
126/220

730,268 A 6/1903 Keller
(Continued)

OTHER PUBLICATIONS

Uniquely interactive, posted at Luxuryhome.reviewed.com, posted on Jun. 27, 2015, site visited Jan. 31, 2018, <http://luxuryhome.reviewed.com/content/bertazzoni-mas365gasxe-36-inch-gas-range-review>.*

Primary Examiner — Barbara Fox

Assistant Examiner — Messina L Smith

(74) *Attorney, Agent, or Firm* — Diederiks & Whitelaw, PLC

(57) **CLAIM**

The ornamental design for a cooktop grate, as shown and described.

DESCRIPTION

FIG. 1 is a front perspective view of a cooktop grate in an environment of use on a cooking appliance, showing our new design;

FIG. 2 is a top perspective view of the cooktop grate shown separately;

FIG. 3 is a top view thereof;

FIG. 4 is a bottom view thereof;

FIG. 5 is a left side view thereof;

FIG. 6 is a right side view thereof;

FIG. 7 is a front view thereof;

FIG. 8 is a rear view thereof;

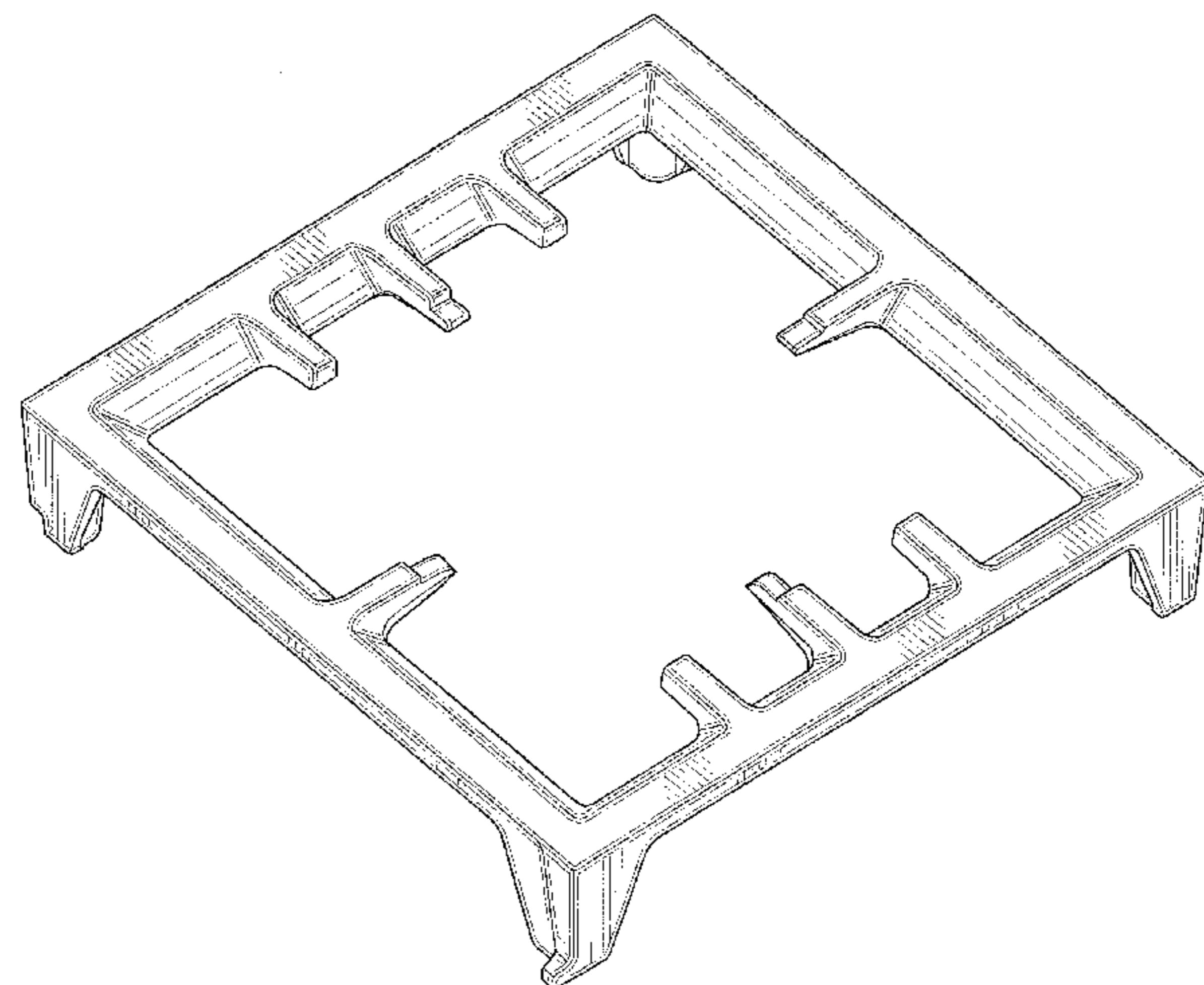
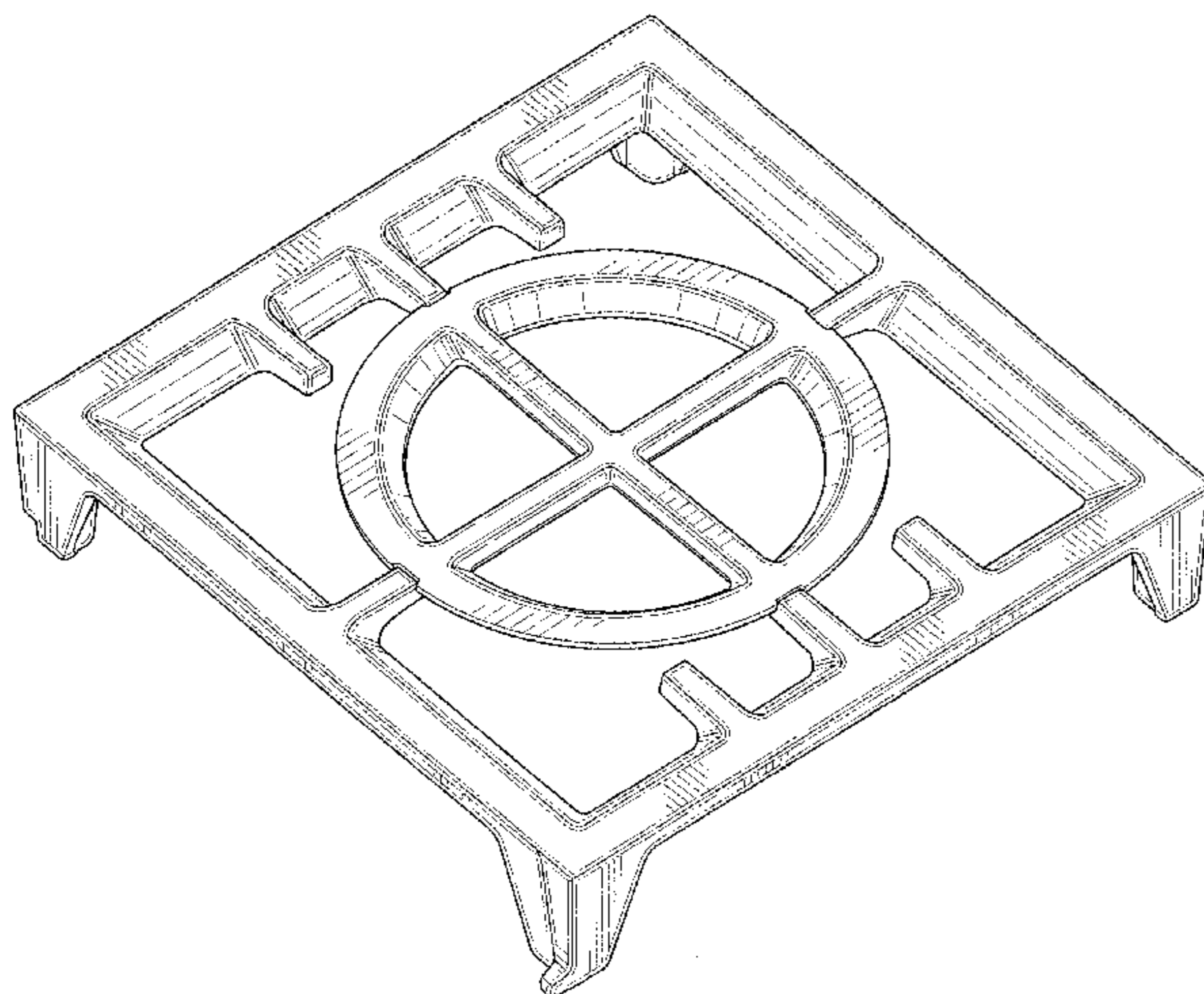
FIG. 9 is a top perspective view of the cooktop grate in an alternative configuration—a wok mode;

FIG. 10 is a top perspective view of the cooktop grate in an alternative configuration—a melt mode; and,

FIG. 11 is a rear view thereof.

The broken line showing of the cooking appliance in FIG. 1 depicts the environment of use for the cooktop grate and forms no part of the claimed design. The broken lines in FIG. 4 depict portions of the cooktop grate that form no part of the claimed design.

1 Claim, 9 Drawing Sheets



(56)

References Cited

U.S. PATENT DOCUMENTS

914,306 A * 3/1909 Renkenberger F24C 15/10
126/220
1,509,526 A 9/1924 O'Dowd
D144,093 S * 3/1946 Abell D7/402
D278,306 S * 4/1985 McIntosh D7/409
5,129,451 A * 7/1992 Moir A47J 37/00
165/185
5,315,983 A 5/1994 Law
D389,374 S * 1/1998 Miller D7/408
5,775,316 A 7/1998 Jones
D401,112 S * 11/1998 Miller D7/408
D439,110 S * 3/2001 Cozzolino D7/408
D461,090 S * 8/2002 Rummel D7/346
D477,177 S * 7/2003 Jeong D7/340
6,588,417 B2 7/2003 Jones et al.
6,712,067 B1 3/2004 Barbour et al.
D489,933 S * 5/2004 Rummel D7/346
6,935,330 B1 8/2005 Barrero et al.
D546,119 S * 7/2007 Dodge D7/388
D564,838 S * 3/2008 Shin D7/408
D578,823 S * 10/2008 Kim D7/340
D589,740 S * 4/2009 Strayle D7/346
D602,738 S 10/2009 Bengton et al.
D610,863 S * 3/2010 Kim D7/340

D629,638 S * 12/2010 Funnell D7/346
7,967,004 B2 6/2011 Inzaghi
D653,900 S * 2/2012 Kim D7/340
D685,602 S * 7/2013 Lee D7/340
D697,756 S 1/2014 Segers et al.
D703,484 S * 4/2014 Boo D7/408
D721,538 S * 1/2015 Kim D7/408
D731,845 S * 6/2015 Kim D7/340
D738,683 S 9/2015 Segers et al.
D767,324 S * 9/2016 Funnell, II D7/345
D778,099 S * 2/2017 Shoemaker D7/346
D781,096 S * 3/2017 Kim D7/339
D782,863 S * 4/2017 Kamper D7/339
D786,006 S * 5/2017 Chung D7/340
D786,609 S * 5/2017 Cho D7/339
D798,108 S * 9/2017 Shoemaker D7/408
2004/0089288 A1 10/2004 Brown
2006/0090743 A1 5/2006 Hsu
2009/0044795 A1 2/2009 Shaffer et al.
2015/0211746 A1 * 7/2015 Murdock F24C 15/107
126/215
2015/0265097 A1 9/2015 Poon
2015/0316269 A1 11/2015 Dettloff et al.
2017/0023254 A1 * 1/2017 Cadima F24C 1/06
2017/0030585 A1 * 2/2017 Mayberry F23D 14/045
2017/0227235 A1 * 8/2017 Best F24C 15/10
2018/0172279 A1 * 6/2018 Lah F24C 3/008

* cited by examiner

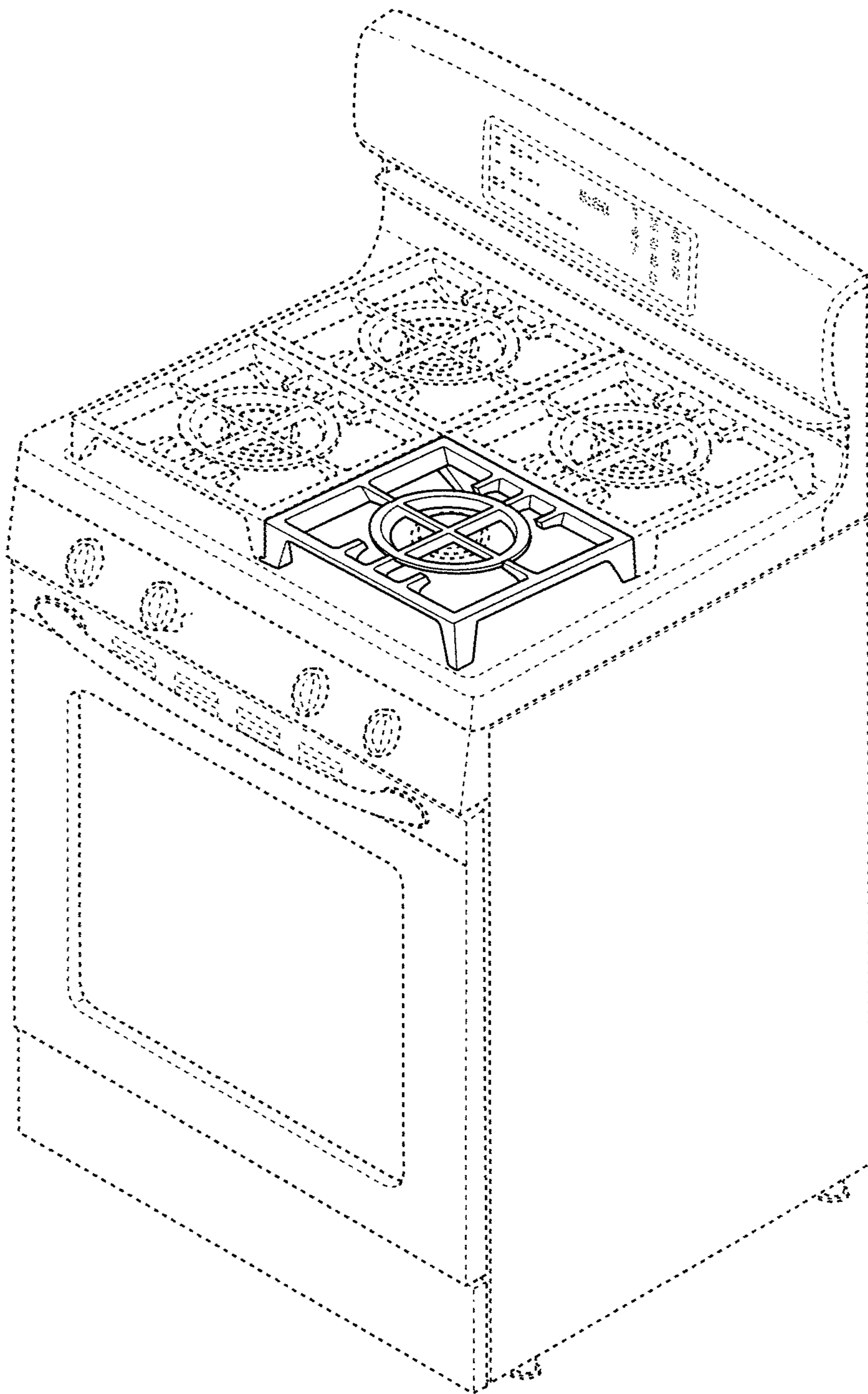


FIG. 1

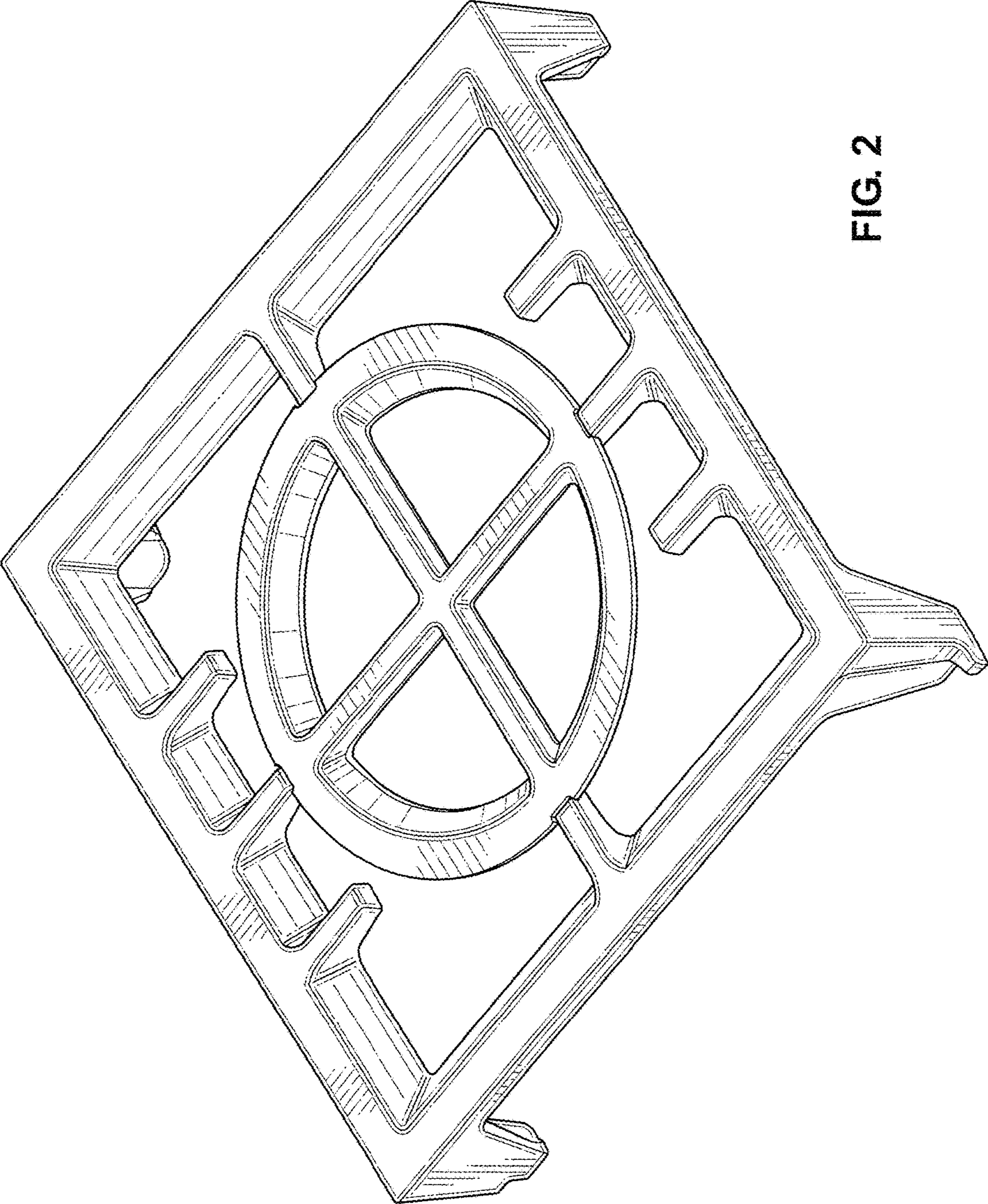
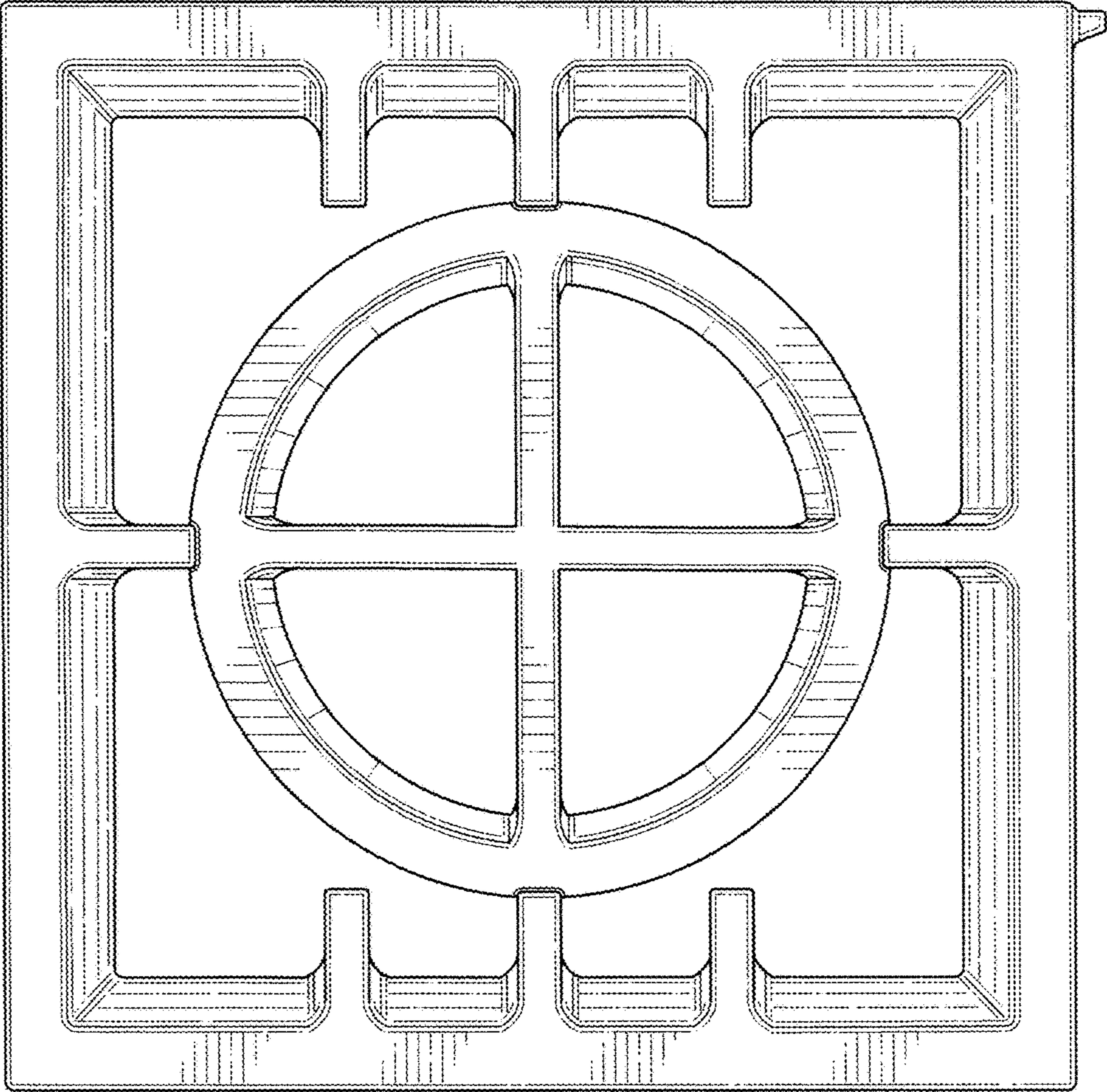


FIG. 2

FIG. 3



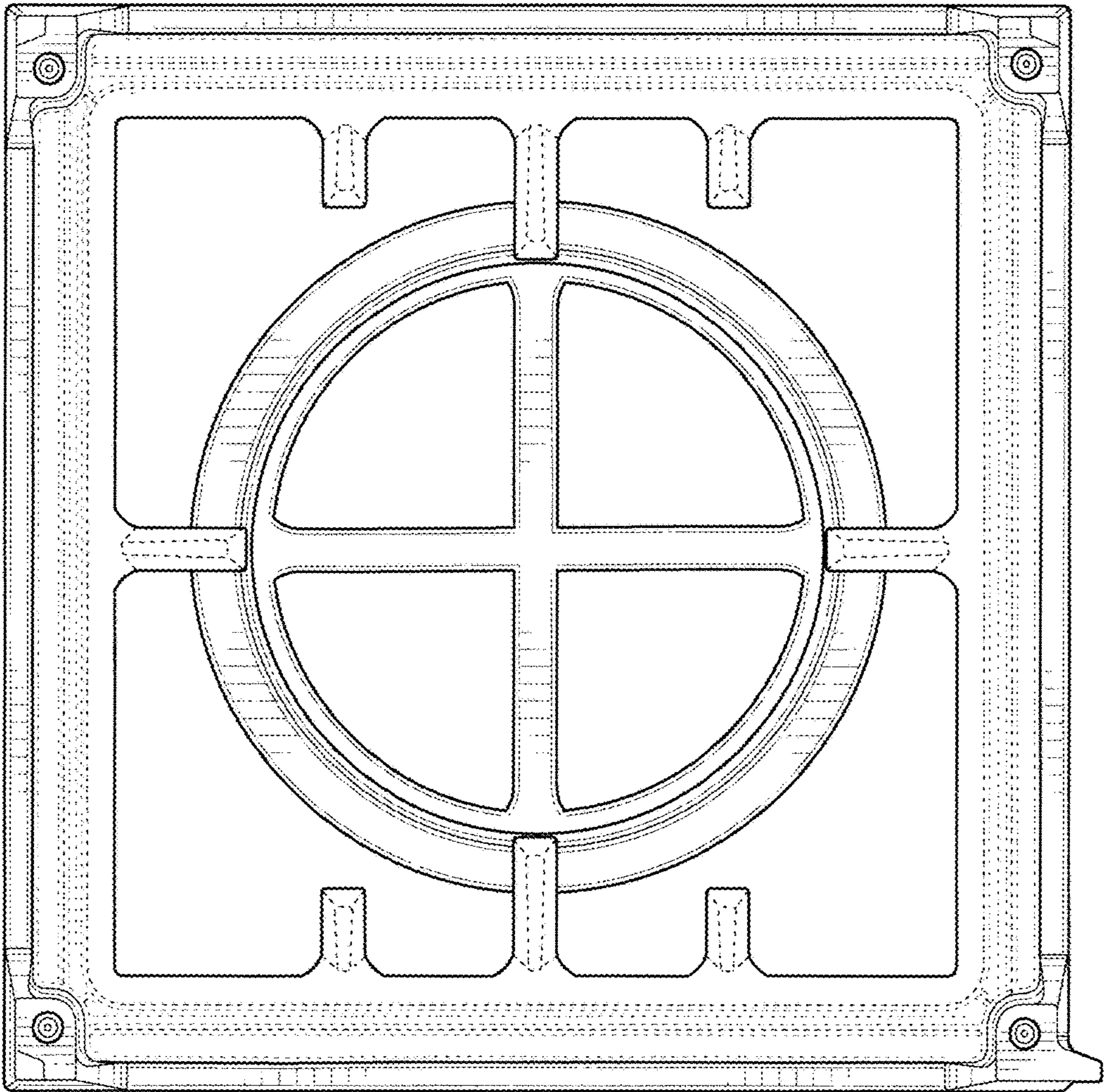


FIG. 4

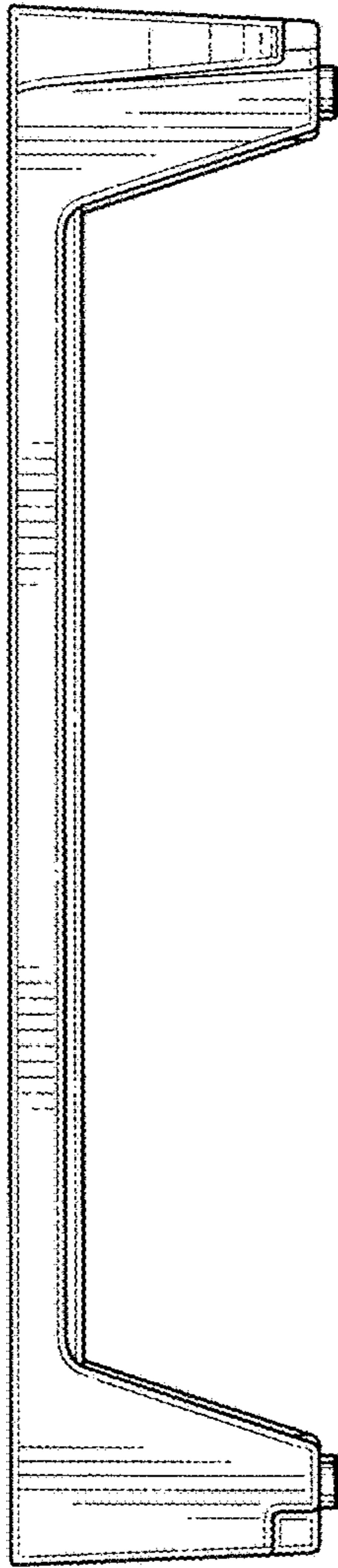


FIG. 5

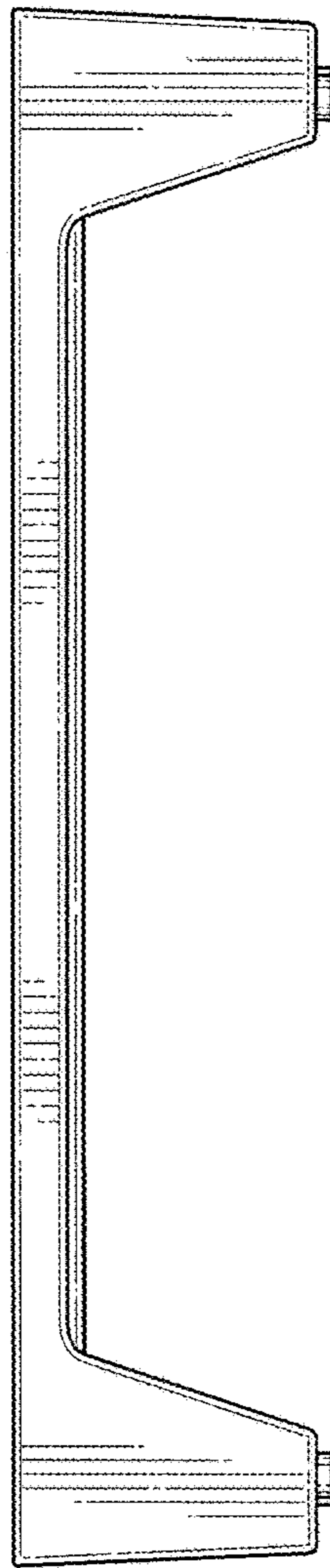


FIG. 6

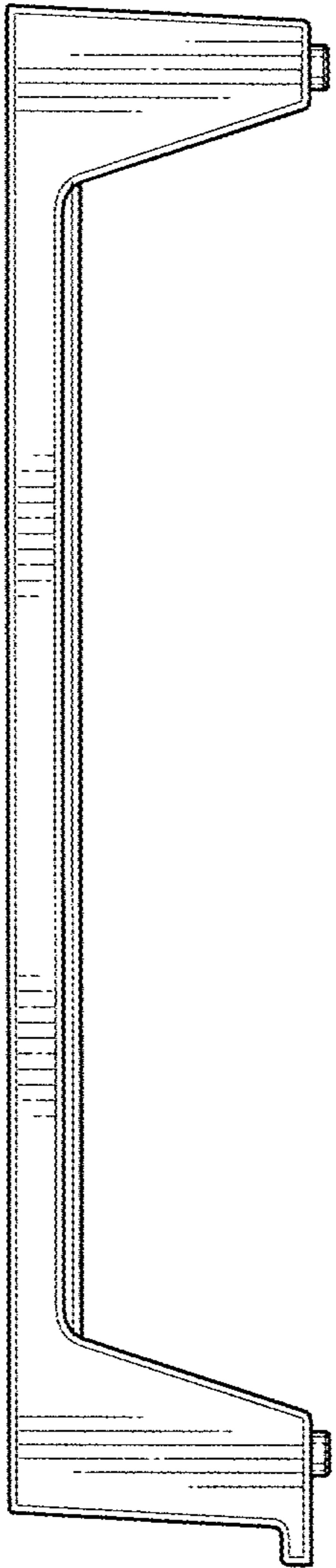


FIG. 7

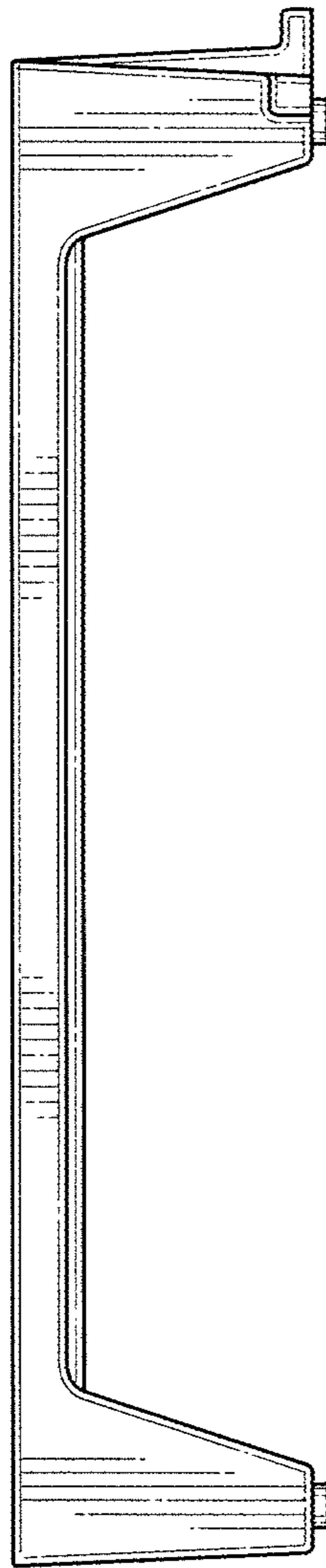


FIG. 8

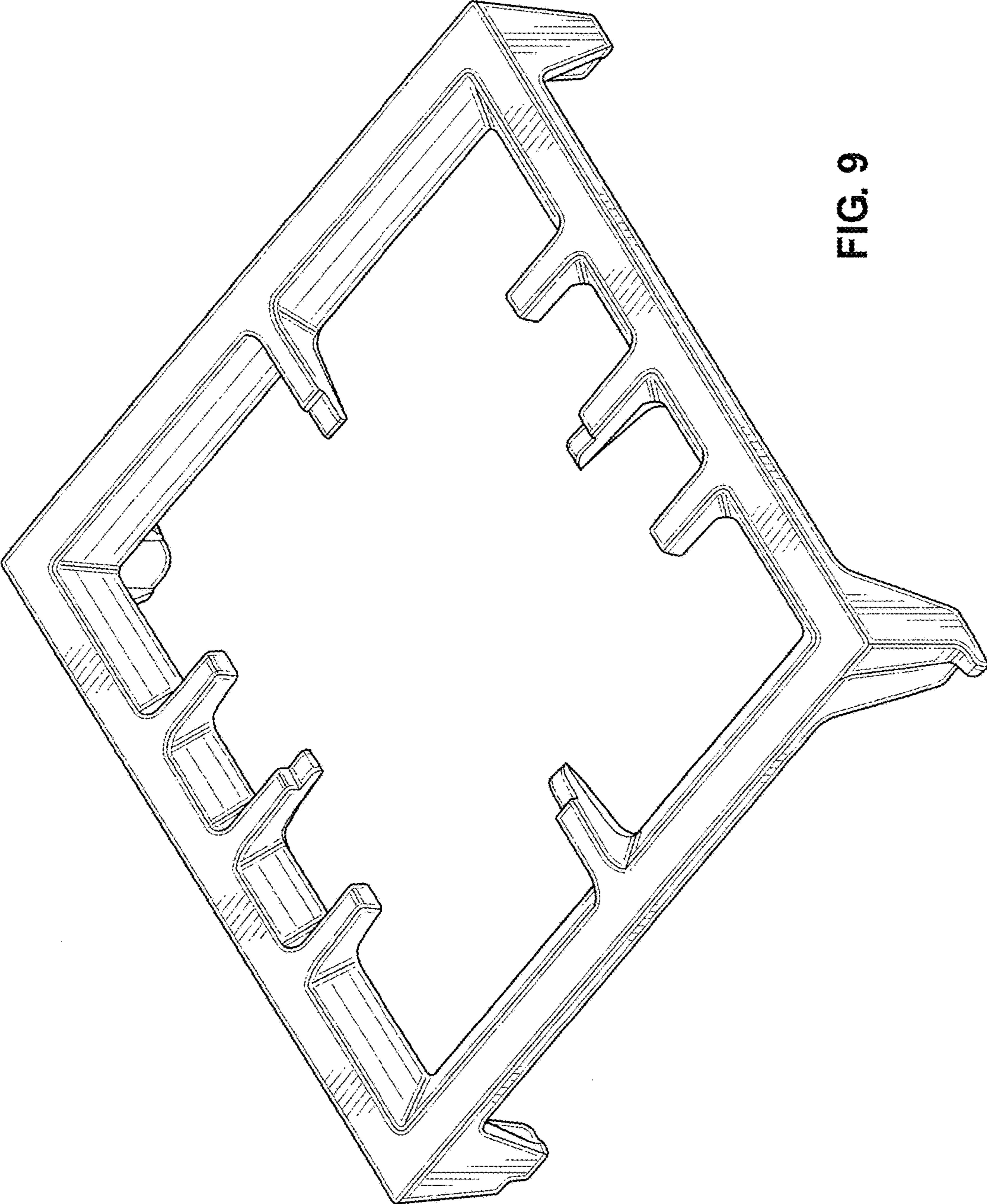


FIG. 9

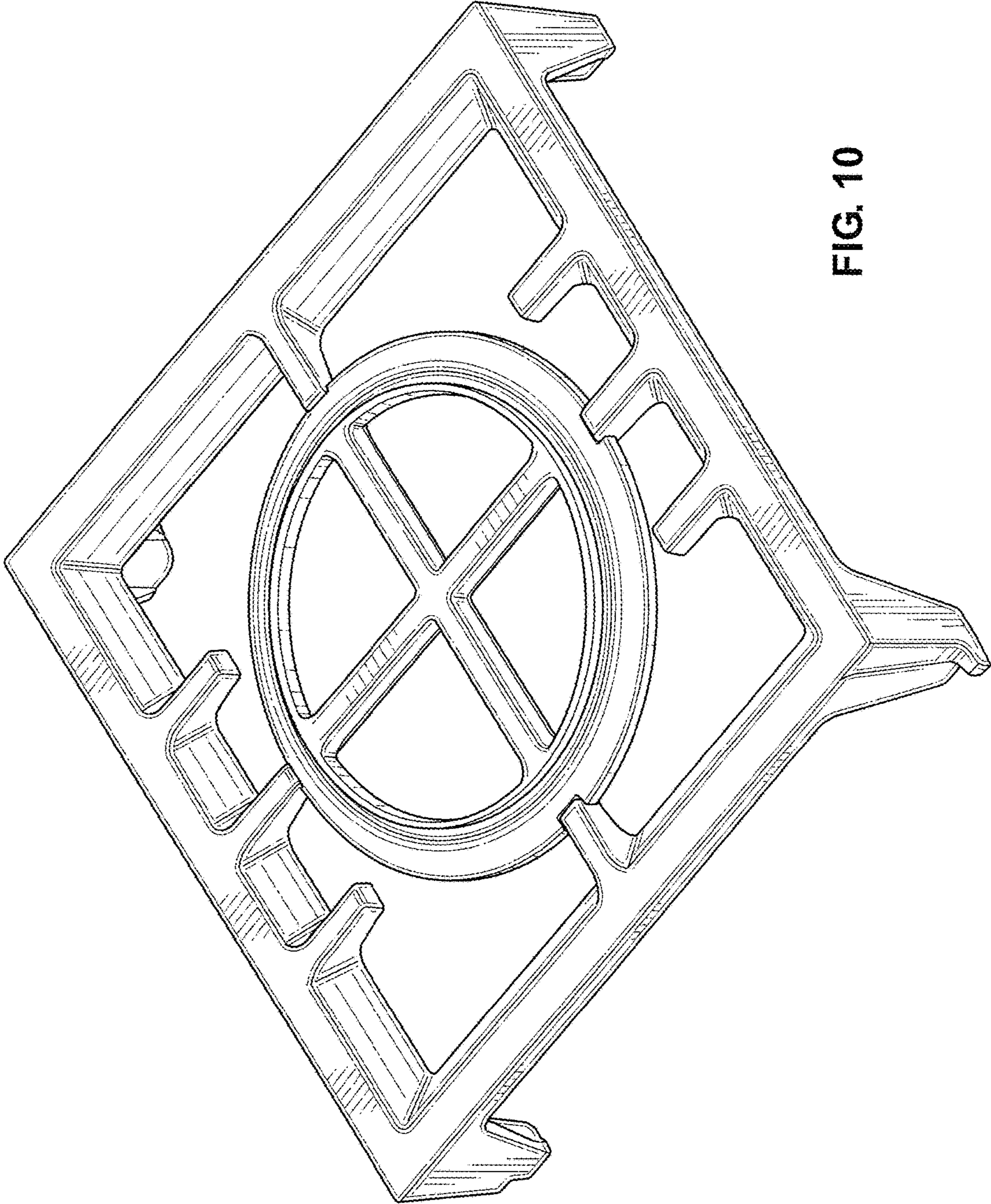


FIG. 10

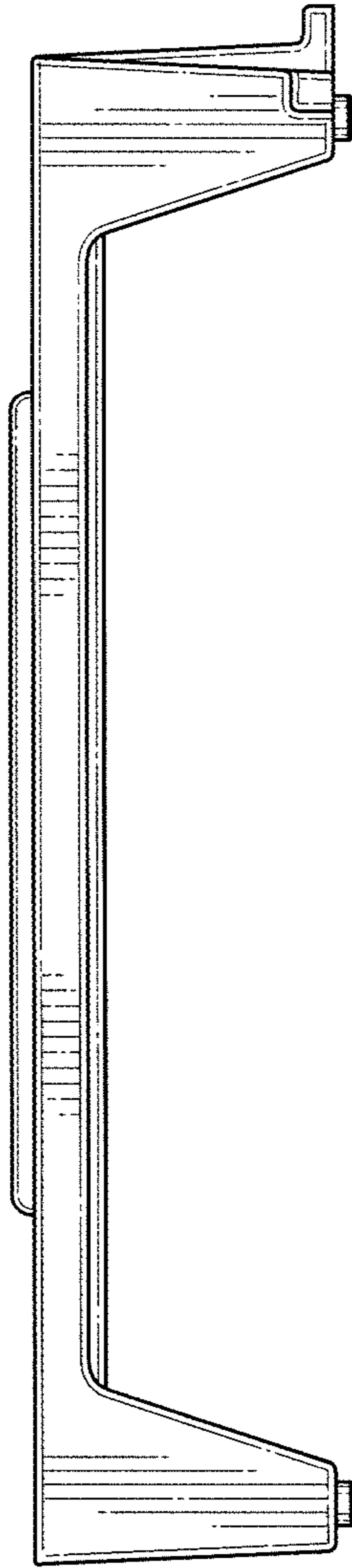


FIG. 11