



US00D836372S

(12) **United States Design Patent** (10) **Patent No.:** **US D836,372 S**
Vazin (45) **Date of Patent:** **** Dec. 25, 2018**

- (54) **PITCHER**
- (71) Applicant: **AMERICAN MAID PLASTIC CO.,**
Riverside, CA (US)
- (72) Inventor: **Moe Vazin,** Rancho Palos Verdes, CA
(US)
- (73) Assignee: **AMERICAN MAID PLASTIC CO.,**
Riverside, AZ (US)
- (**) Term: **15 Years**
- (21) Appl. No.: **29/620,887**
- (22) Filed: **Aug. 11, 2017**
- (51) **LOC (11) Cl.** **07-01**
- (52) **U.S. Cl.**
USPC **D7/318**
- (58) **Field of Classification Search**
USPC D7/300, 312, 316, 318; D9/516, 530,
D9/531, 906
CPC .. A23N 1/00; A47G 19/22; A47J 43/00; A47J
43/04; A47J 43/046; B01F 7/00; B01F
7/16
See application file for complete search history.

- D482,973 S * 12/2003 Nottingham D9/531
- D684,818 S * 6/2013 Lee D7/376
- D731,329 S * 6/2015 Joseph D10/46.2
- D742,172 S * 11/2015 Dickson, Jr. D7/376
- 9,420,915 B2 * 8/2016 Dickson, Jr. B01F 7/1675
- D791,541 S * 7/2017 Stumph D7/376
- D808,719 S * 1/2018 Coakley D7/413
- D811,167 S * 2/2018 Smith D7/413
- 2008/0257892 A1 10/2008 Schroter

* cited by examiner

Primary Examiner — Derrick E Holland

Assistant Examiner — Andrew Kerr

(74) *Attorney, Agent, or Firm* — Jonathan E. Grant; Grant Patent Services

(57) **CLAIM**

The ornamental design for a pitcher, as shown and described.

DESCRIPTION

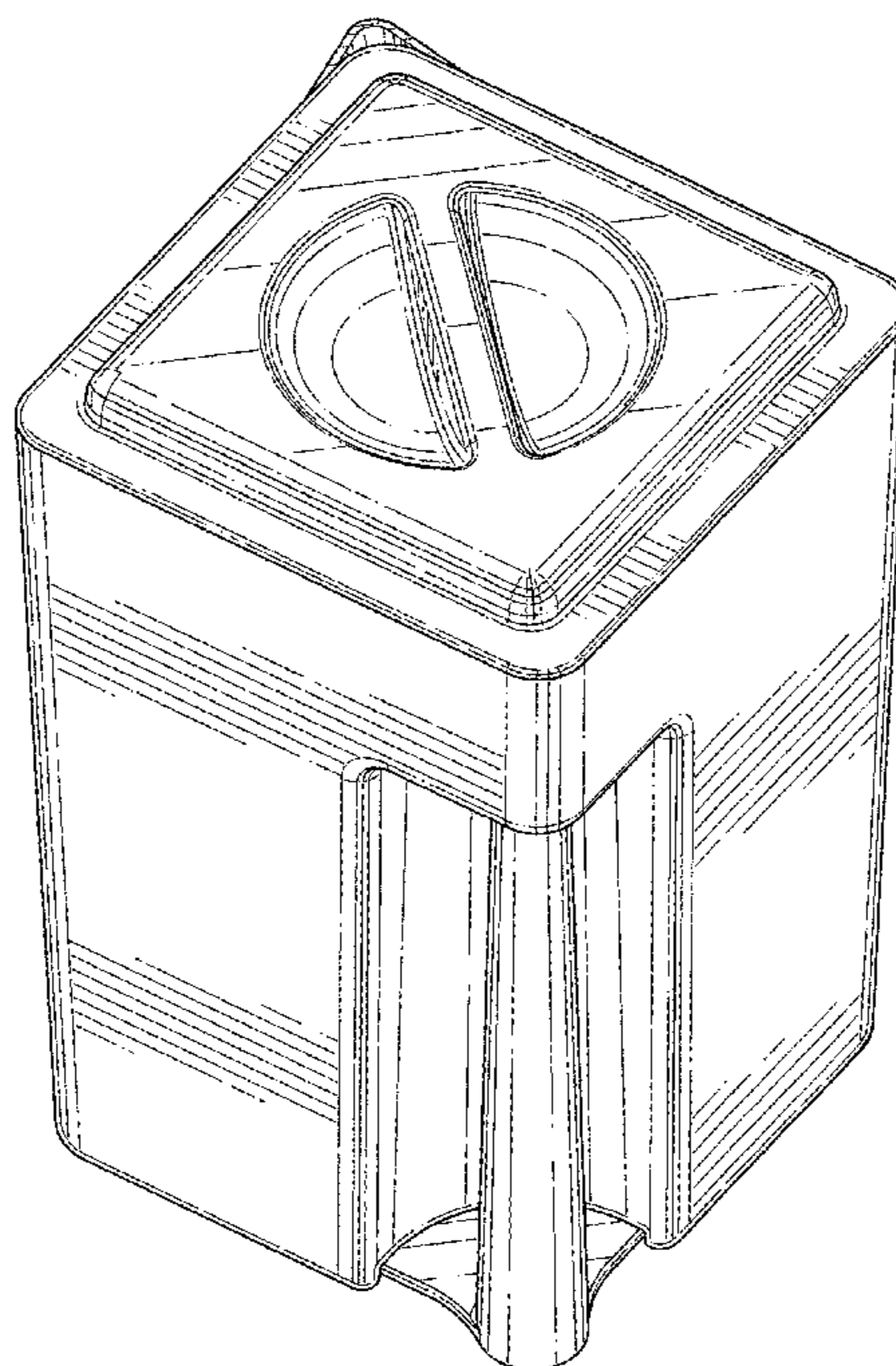
FIG. 1 is a perspective view of a pitcher, showing my new design;
 FIG. 2 is an exploded bottom perspective view thereof;
 FIG. 3 is a front view thereof;
 FIG. 4 is a back view thereof;
 FIG. 5 is a first side view thereof;
 FIG. 6 is a second side view thereof;
 FIG. 7 is a top view thereof;
 FIG. 8 is a bottom view thereof;
 FIG. 9 is a top view of the pitcher without the lid; and,
 FIG. 10 is a bottom view of the lid.
 The broken lines in the drawing views represent environmental structure and form no part of the claimed design.

1 Claim, 10 Drawing Sheets

(56) **References Cited**

U.S. PATENT DOCUMENTS

- D154,588 S 10/1947 Collins
- D178,085 S 6/1958 Rally
- D227,535 S * 7/1973 Grimes D7/318
- 3,825,151 A 7/1974 Arnaud
- 4,993,675 A 2/1991 Walker
- 5,629,438 A 5/1997 Freeburne et al.
- 5,711,207 A 1/1998 Wu



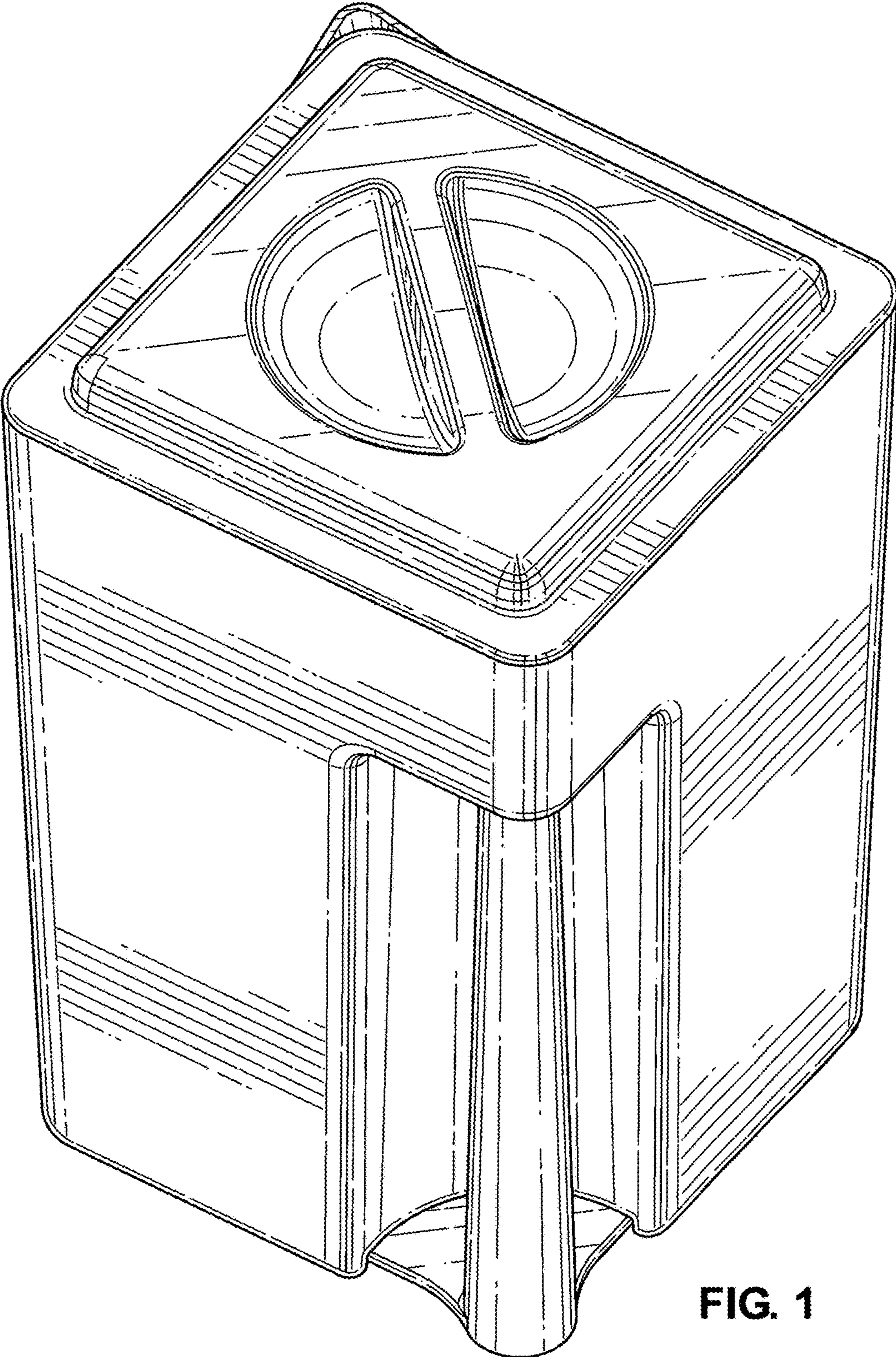


FIG. 1

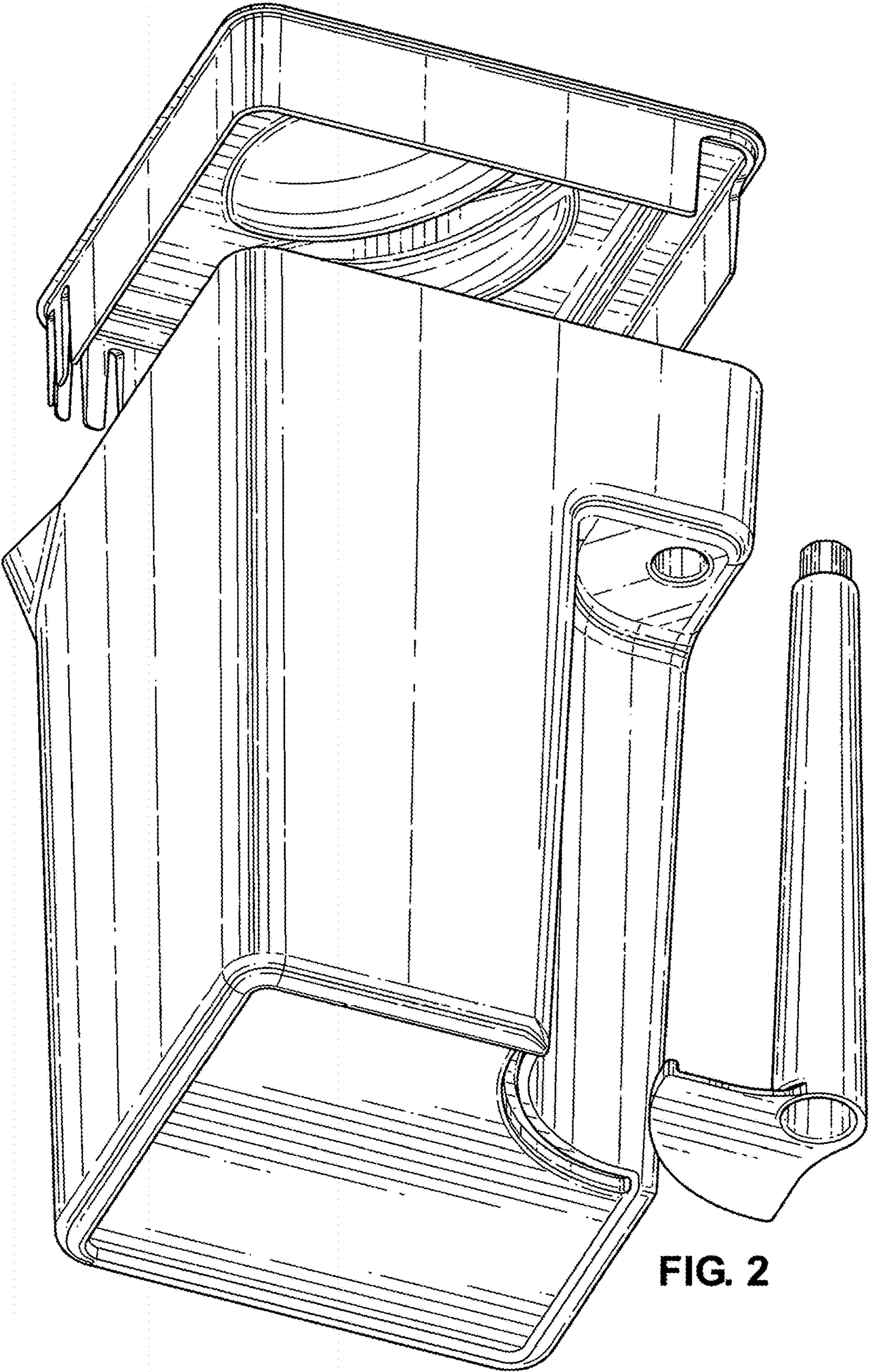


FIG. 2

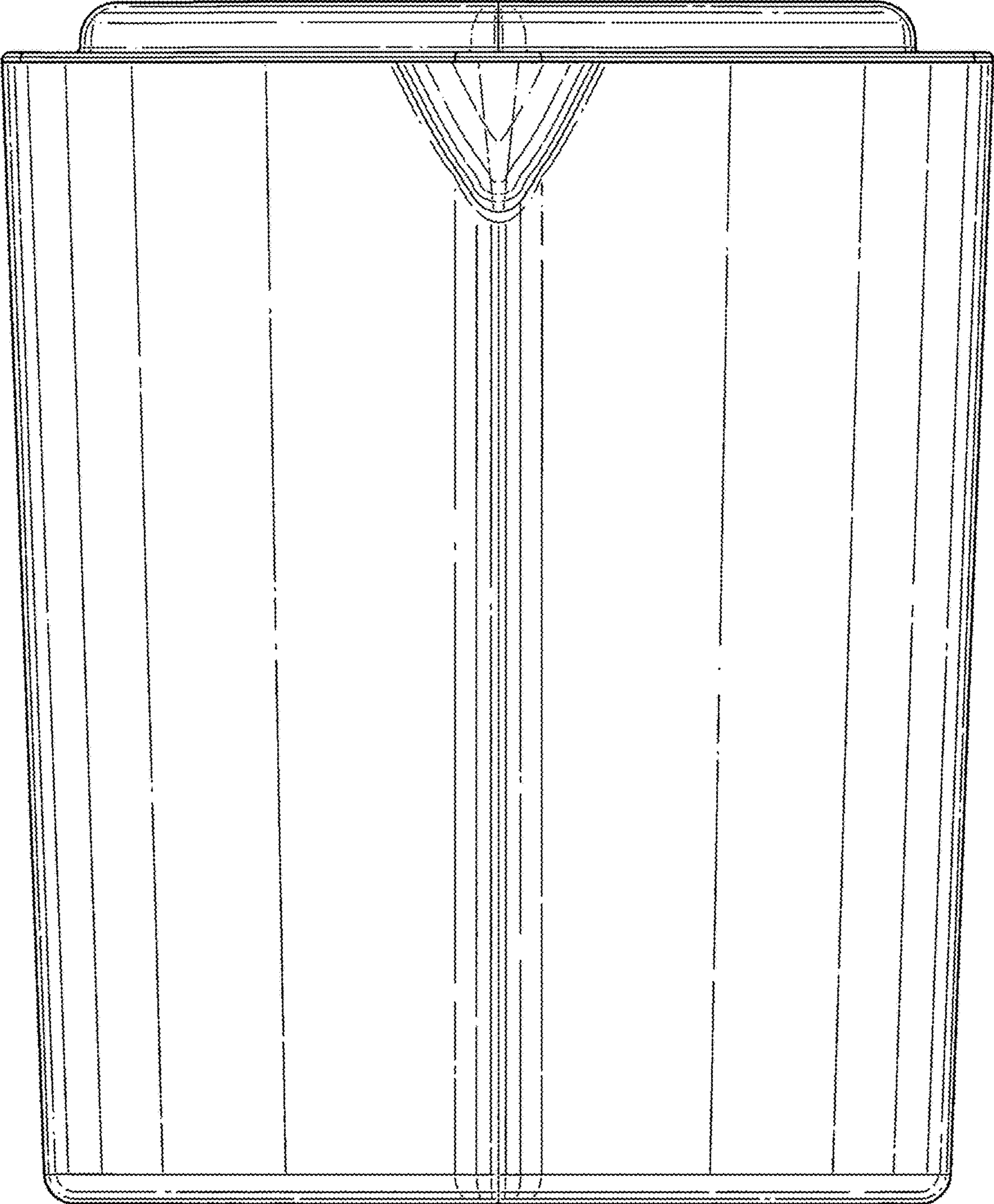


FIG. 3

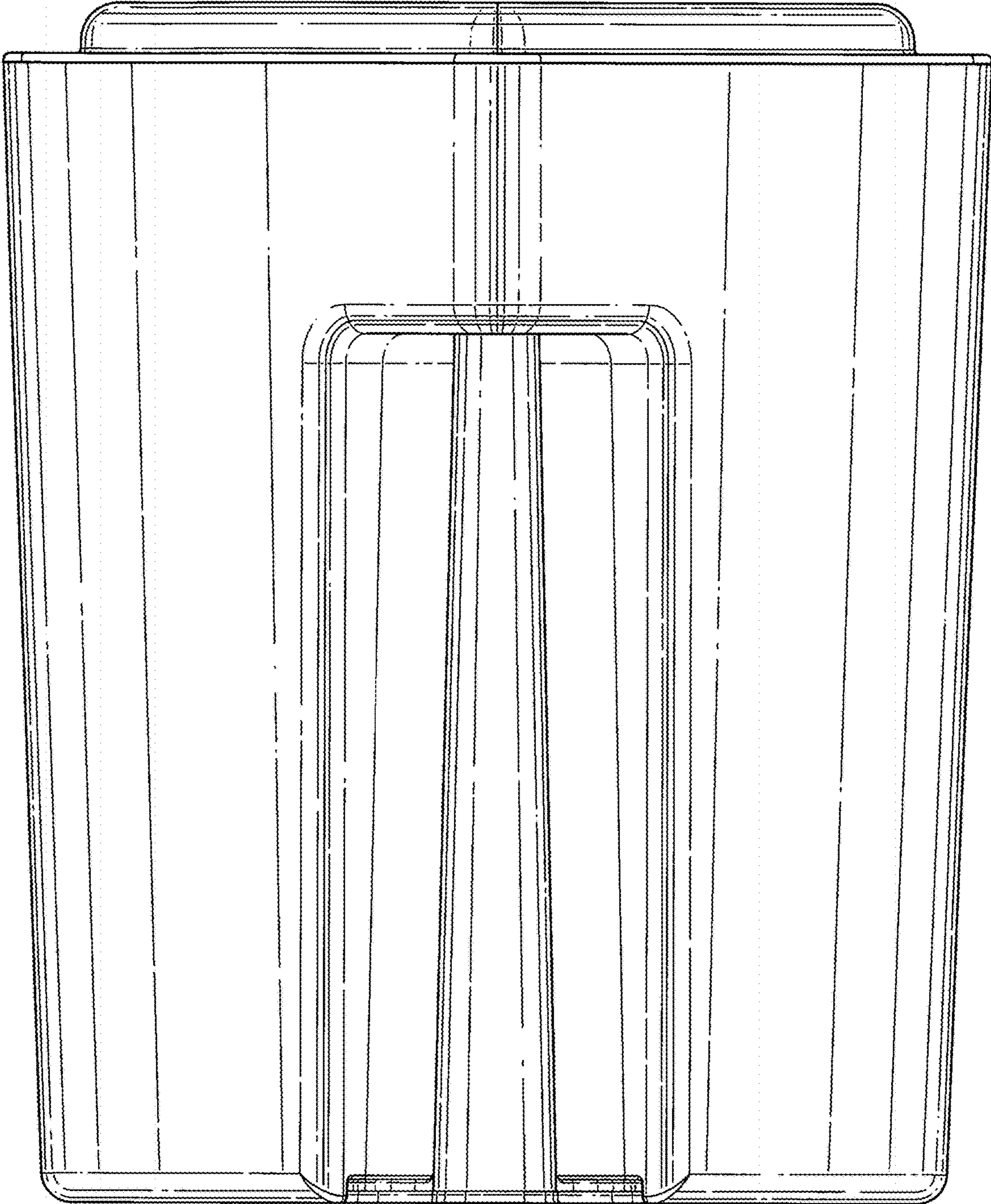


FIG. 4

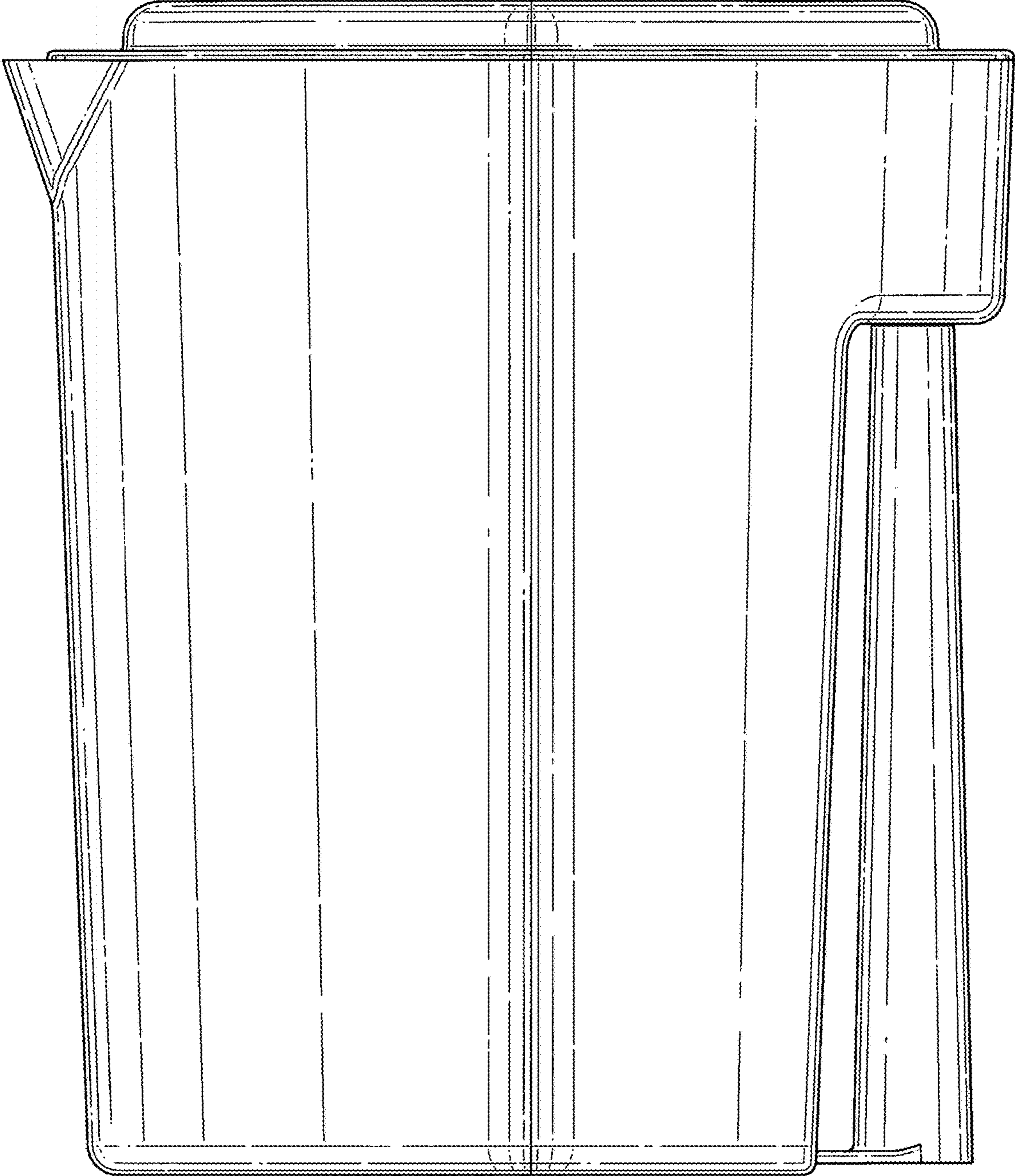


FIG. 5

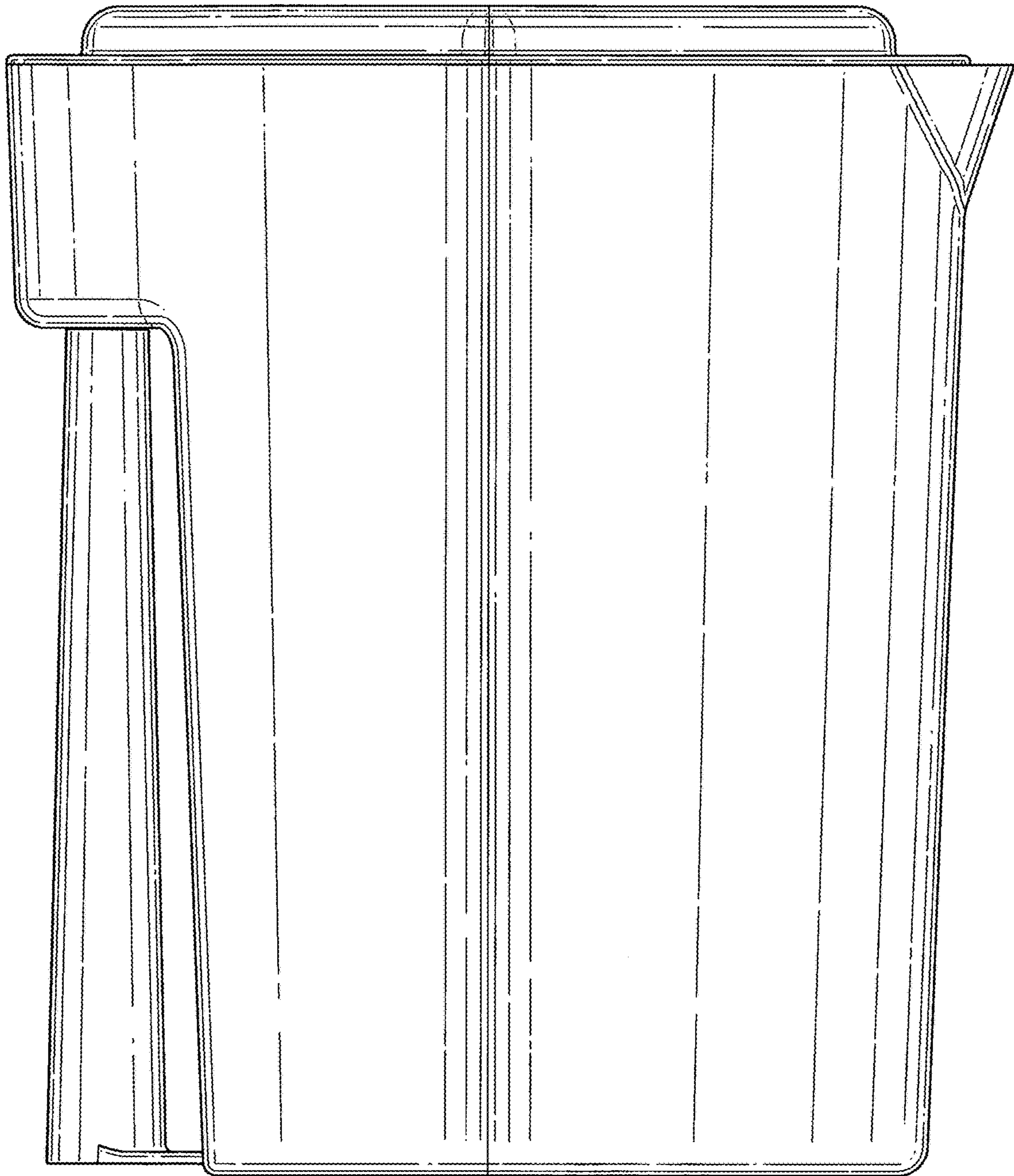


FIG. 6

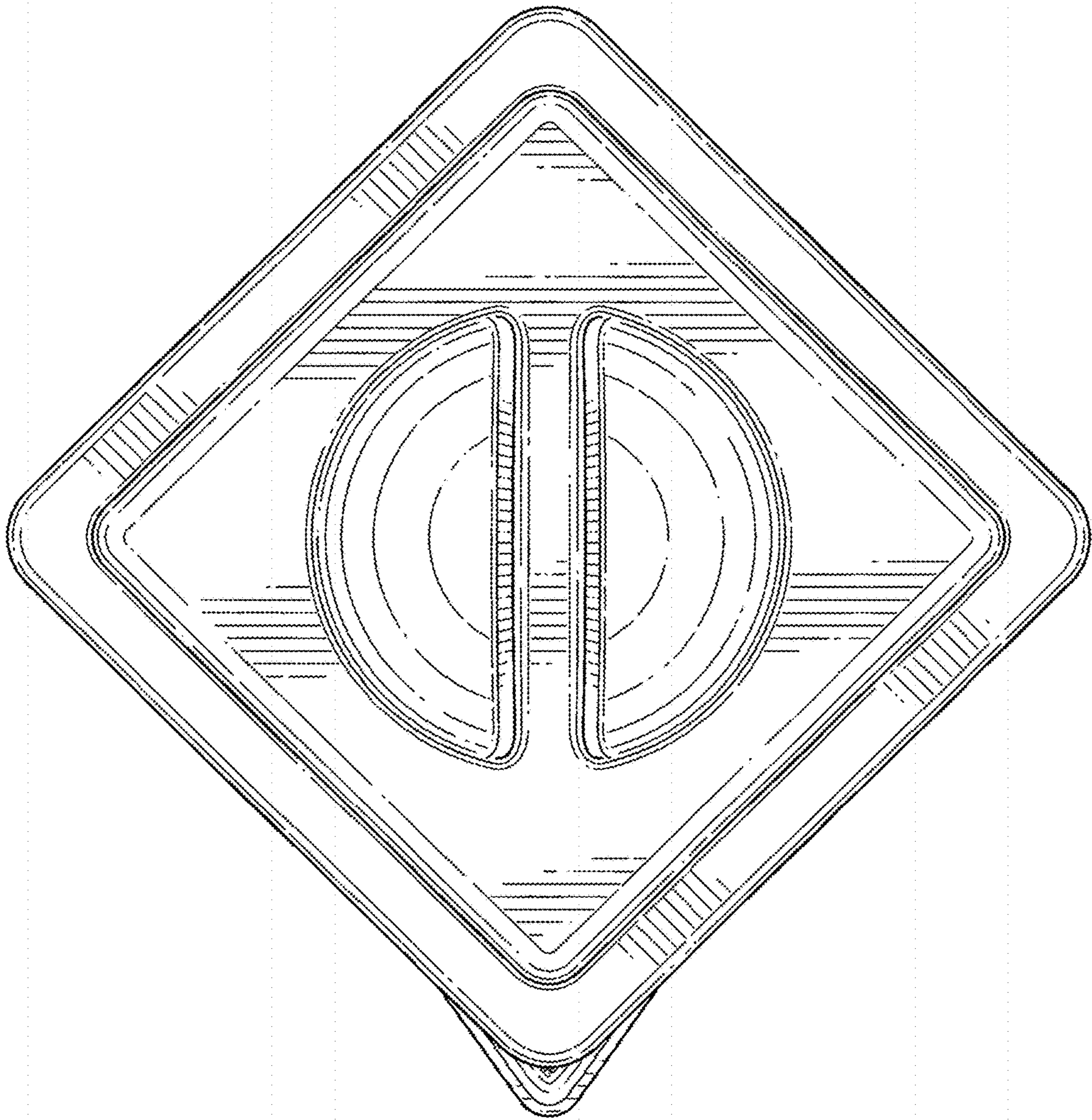


FIG. 7

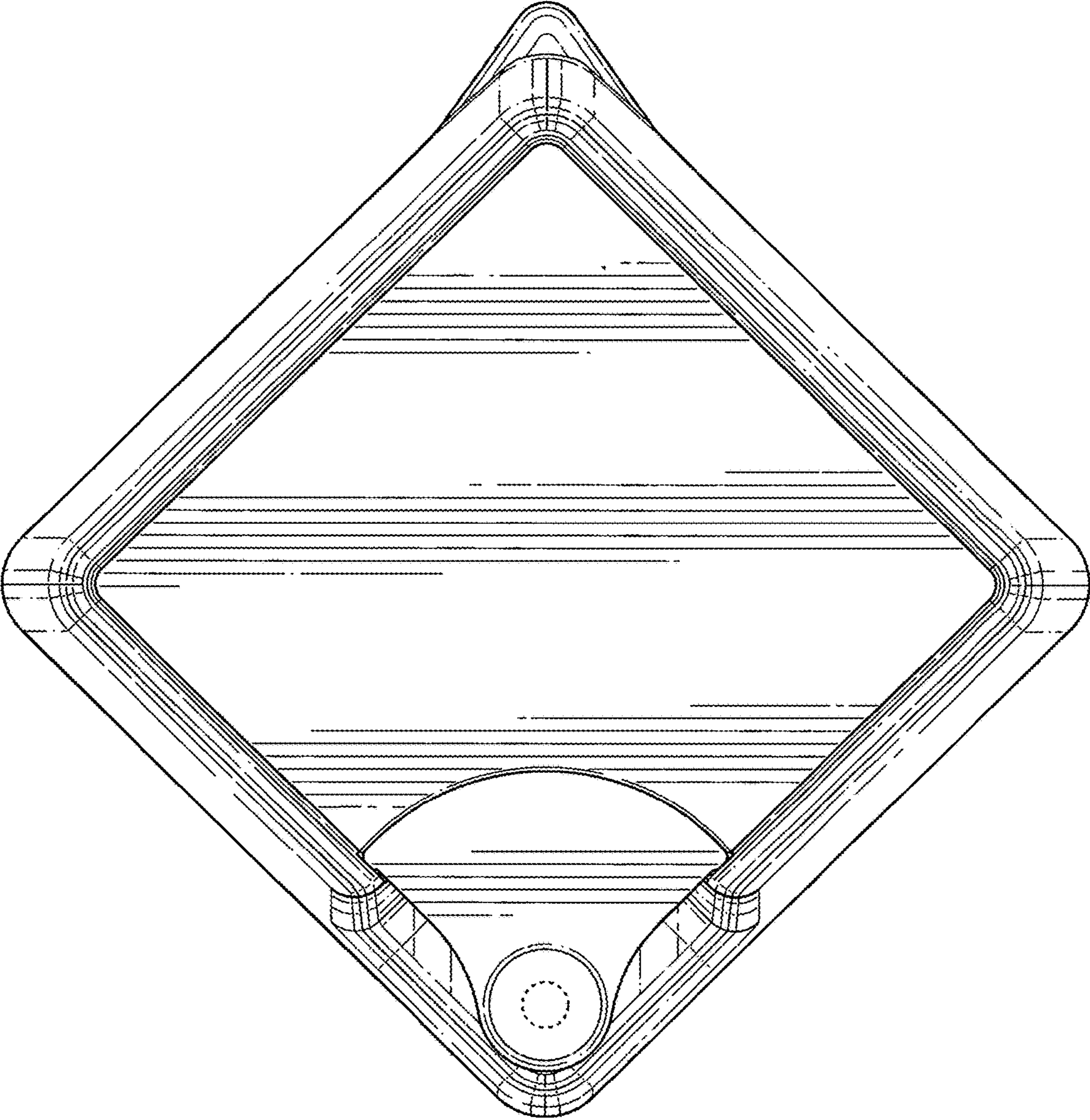


FIG. 8

.....
.....

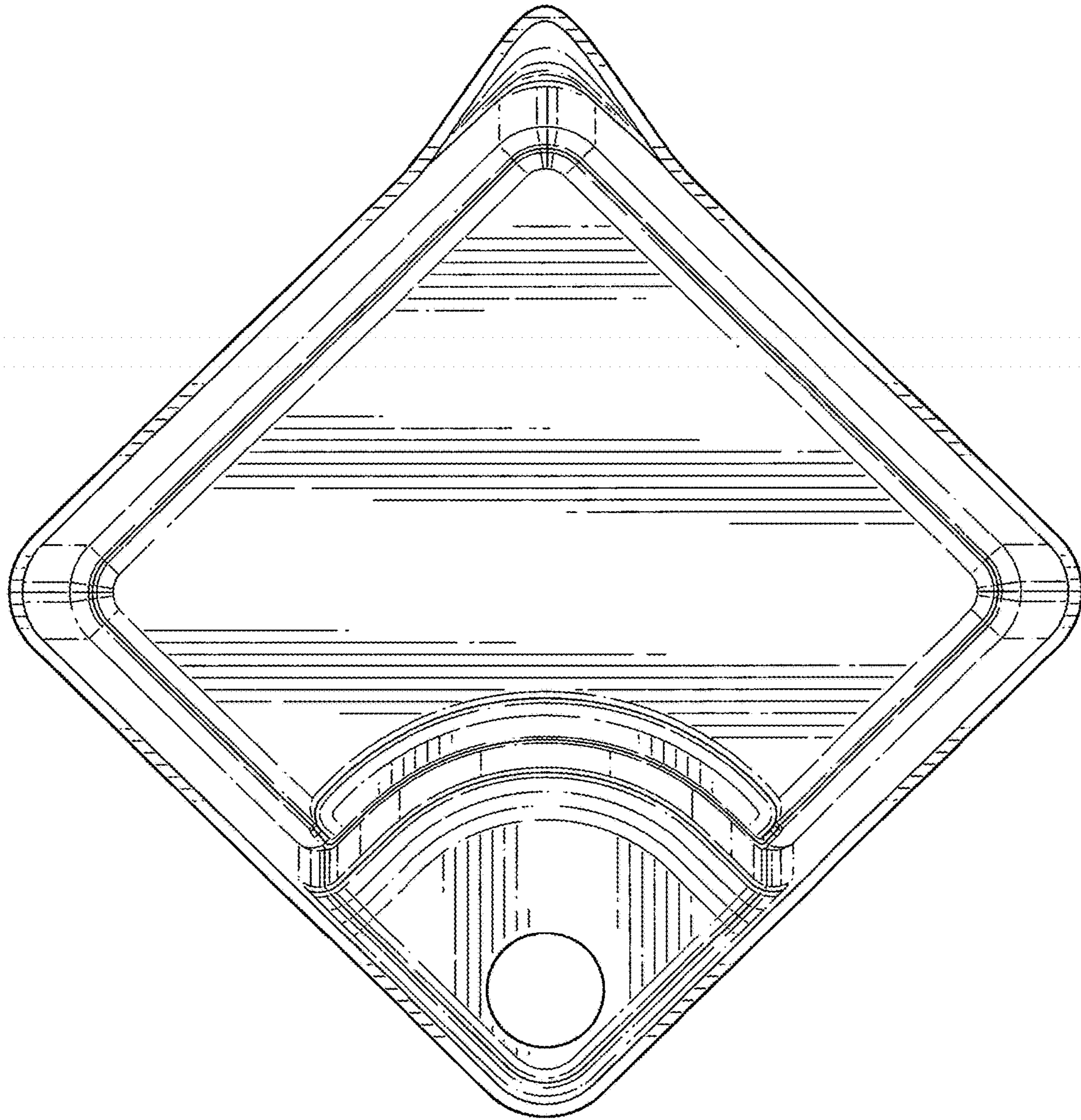


FIG. 9

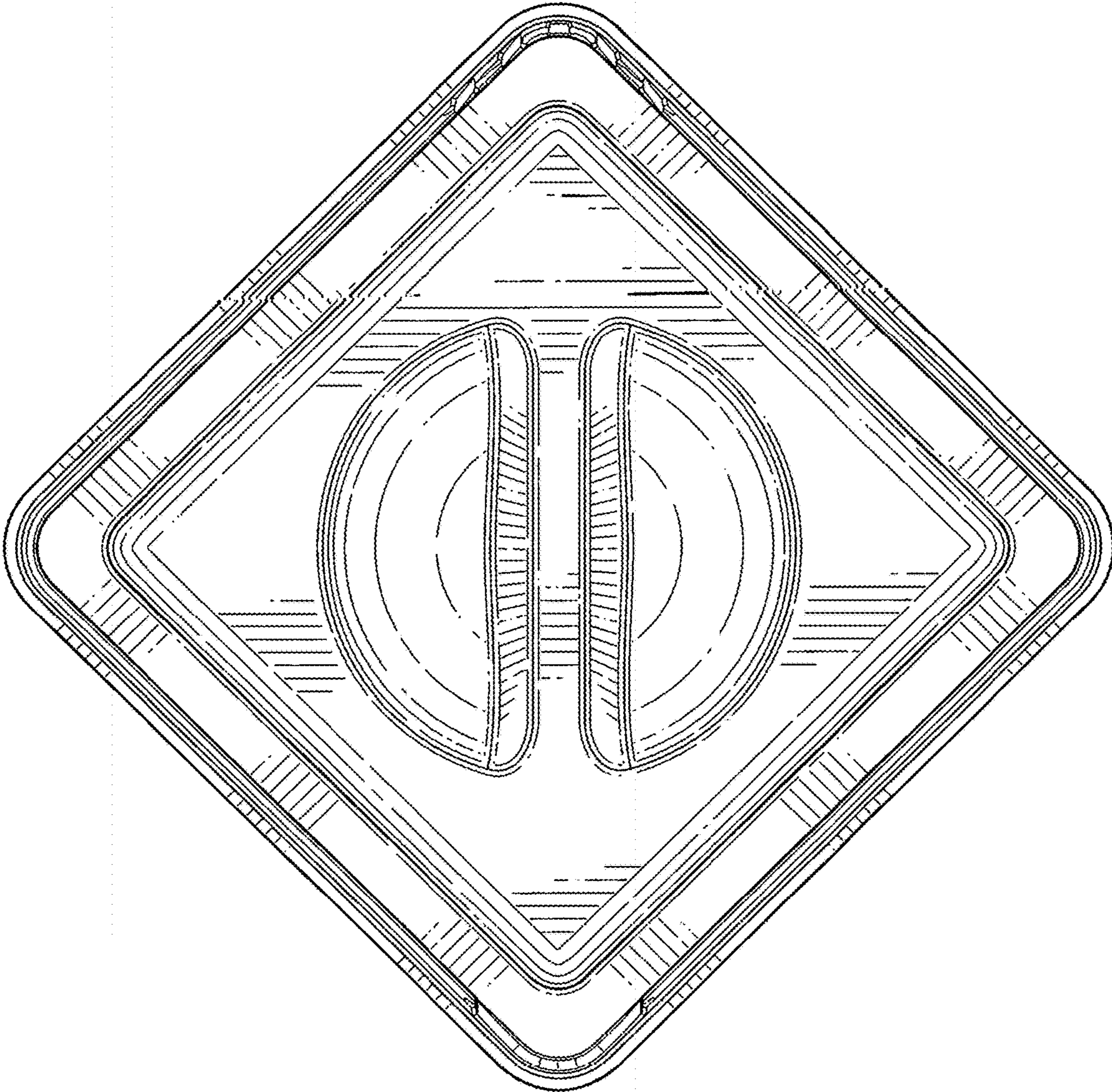


FIG. 10