



US00D836371S

(12) **United States Design Patent** (10) **Patent No.:** **US D836,371 S**  
**Cahen** (45) **Date of Patent:** **\*\* Dec. 25, 2018**

- (54) **BEVERAGE DISPENSER**
- (71) Applicant: **Société des Produits Nestlé S.A.,**  
Vevey (CH)
- (72) Inventor: **Antoine Cahen,** Lausanne (CH)
- (73) Assignee: **Société des Produits Nestlé S.A.,**  
Vevey (CH)
- (\*\*) Term: **15 Years**
- (21) Appl. No.: **29/599,010**
- (22) Filed: **Mar. 30, 2017**
- (30) **Foreign Application Priority Data**  
Sep. 30, 2016 (CH) ..... 142635
- (51) **LOC (11) Cl.** ..... **07-01**
- (52) **U.S. Cl.**  
USPC ..... **D7/306; D7/311; D7/309**
- (58) **Field of Classification Search**  
USPC ..... D7/304, 300, 312, 306-311; D23/201;  
D30/131, 129; 239/29, 28  
CPC ..... A23L 2/54; B01F 3/04801; A47J 31/4403  
See application file for complete search history.

- (56) **References Cited**  
U.S. PATENT DOCUMENTS
- D595,992 S \* 7/2009 Clark ..... D7/309
- D596,441 S \* 7/2009 Cahen ..... D7/309
- D602,303 S \* 10/2009 Cahen ..... D7/309
- D644,058 S \* 8/2011 Cahen ..... D7/306
- D649,392 S \* 11/2011 Cahen ..... D7/306
- D666,051 S \* 8/2012 de Pra ..... D7/309
- D666,451 S \* 9/2012 Cheng ..... D7/309
- D674,233 S \* 1/2013 Lavy ..... D7/309
- 8,479,640 B2 \* 7/2013 Gavillet ..... A47J 31/3628  
99/295
- D690,150 S \* 9/2013 Cahen ..... D7/309

- D695,054 S \* 12/2013 De Pra ..... D7/309
- D695,560 S \* 12/2013 Cahen ..... D7/309
- D696,888 S \* 1/2014 Cahen ..... D7/309
- D714,088 S \* 9/2014 Cahen ..... D7/309
- D724,369 S \* 3/2015 Cahen ..... D7/309
- D726,478 S \* 4/2015 Cahen ..... D7/306
- D726,481 S \* 4/2015 Cahen ..... D7/309
- D728,987 S \* 5/2015 Cahen ..... D7/309
- D755,000 S \* 5/2016 Lovati ..... D7/306
- D777,498 S \* 1/2017 Bandixen ..... D7/306
- D779,257 S \* 2/2017 Hale ..... D7/306
- D792,730 S \* 7/2017 Ench ..... D7/306
- D796,885 S \* 9/2017 Wang ..... D7/306
- D817,061 S \* 5/2018 Lissoni ..... D7/309
- 2010/0251900 A1 \* 10/2010 Cahen ..... A47J 31/44  
99/295
- 2010/0263543 A1 \* 10/2010 Krauchi ..... A47J 31/4403  
99/280
- 2011/0041696 A1 \* 2/2011 Aemisegger ..... A47J 31/3623  
99/281

(Continued)

*Primary Examiner* — Marianne Pandozzi  
(74) *Attorney, Agent, or Firm* — Finnegan, Henderson,  
Farabow, Garrett & Dunner LLP

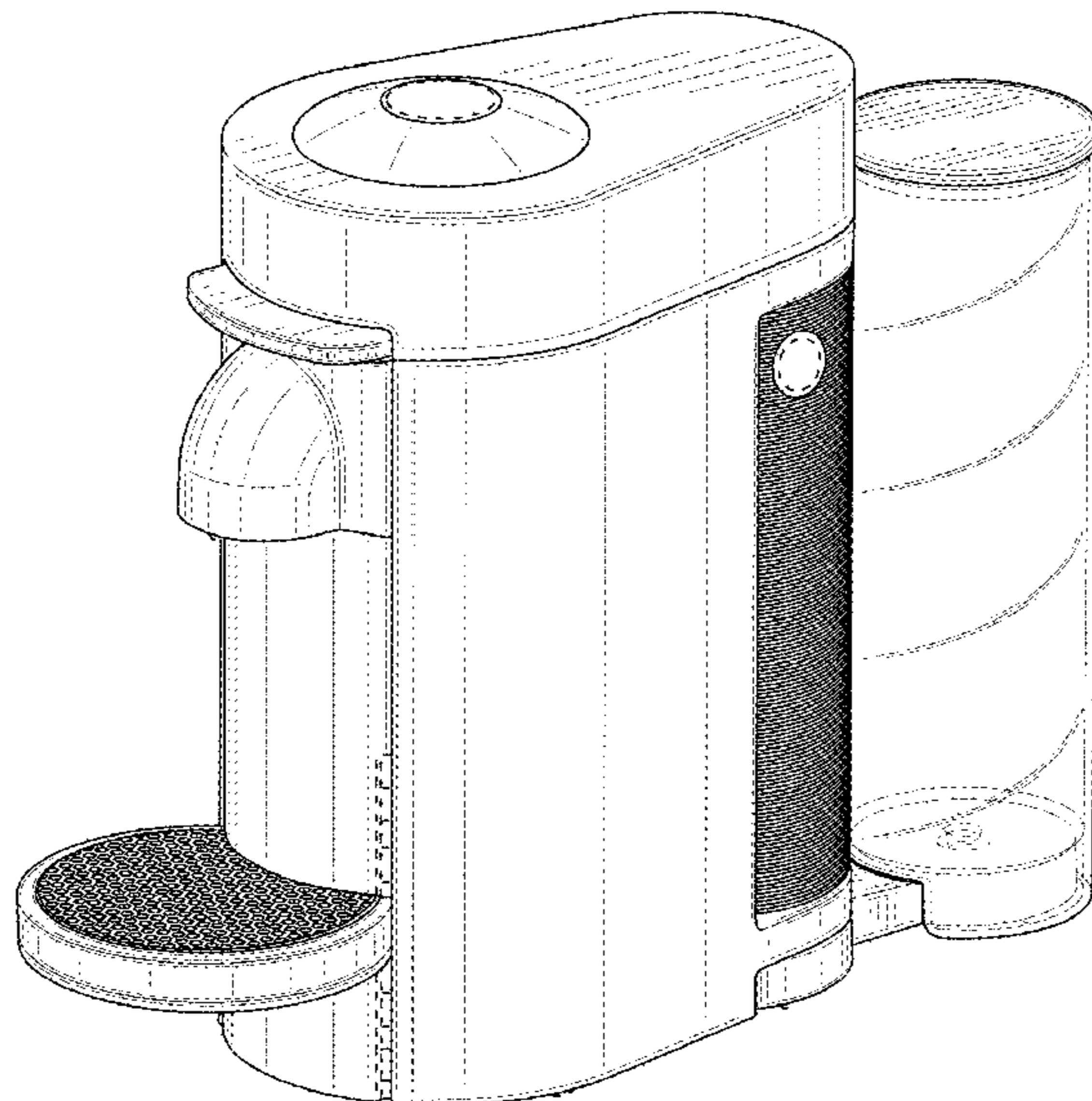
(57) **CLAIM**

The ornamental design for a beverage dispenser, as shown and described.

**DESCRIPTION**

FIG. 1 is a top, front, right perspective view of a beverage dispenser showing my new design;  
FIG. 2 is a front elevation view thereof;  
FIG. 3 is a rear elevation view thereof;  
FIG. 4 is a right side view thereof;  
FIG. 5 is a left side view thereof;  
FIG. 6 is a top plan view thereof; and,  
FIG. 7 is a bottom plan view thereof.  
The portions depicted in broken lines of even length form no part of the claimed design.

**1 Claim, 7 Drawing Sheets**



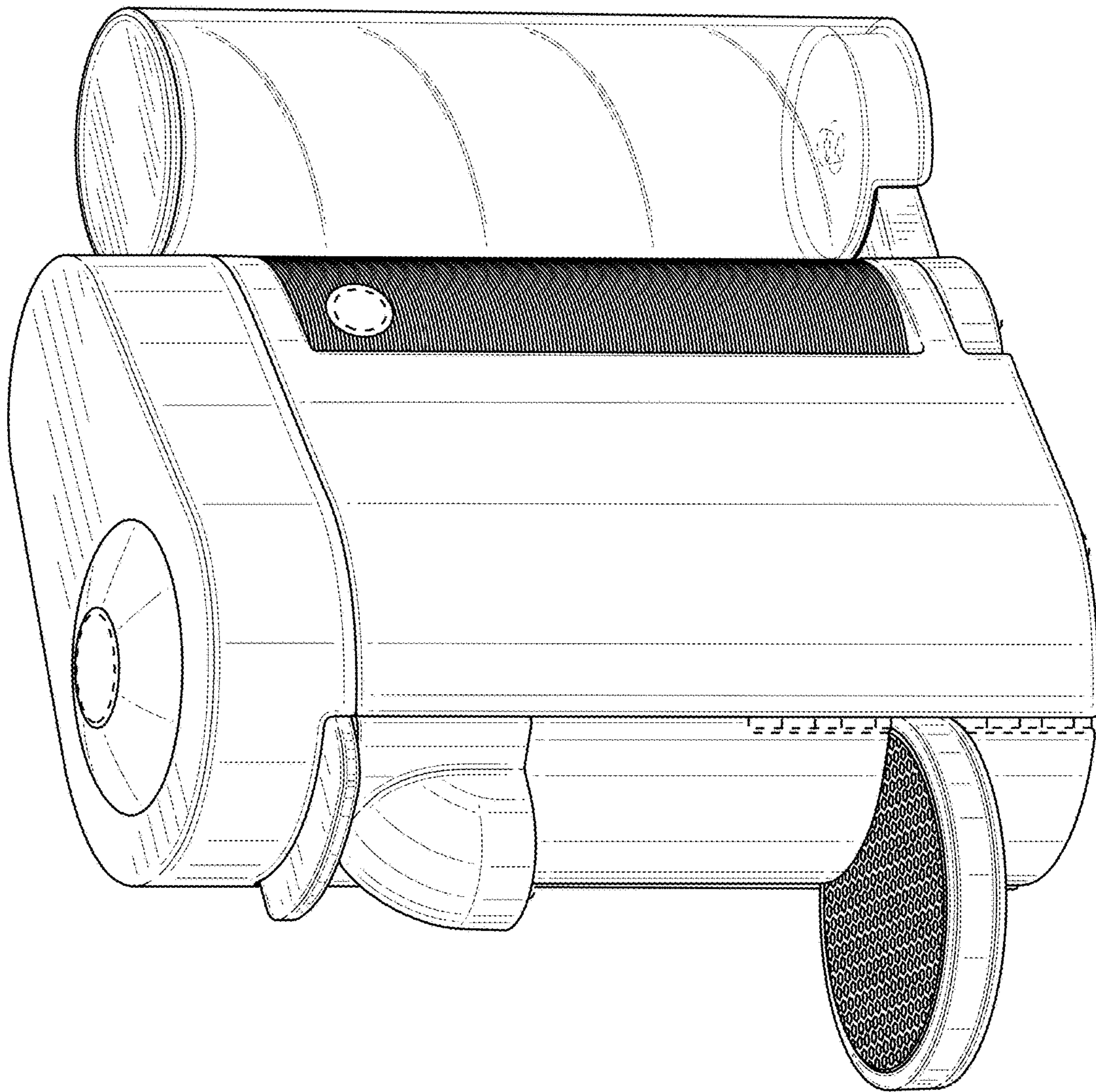
(56)

**References Cited**

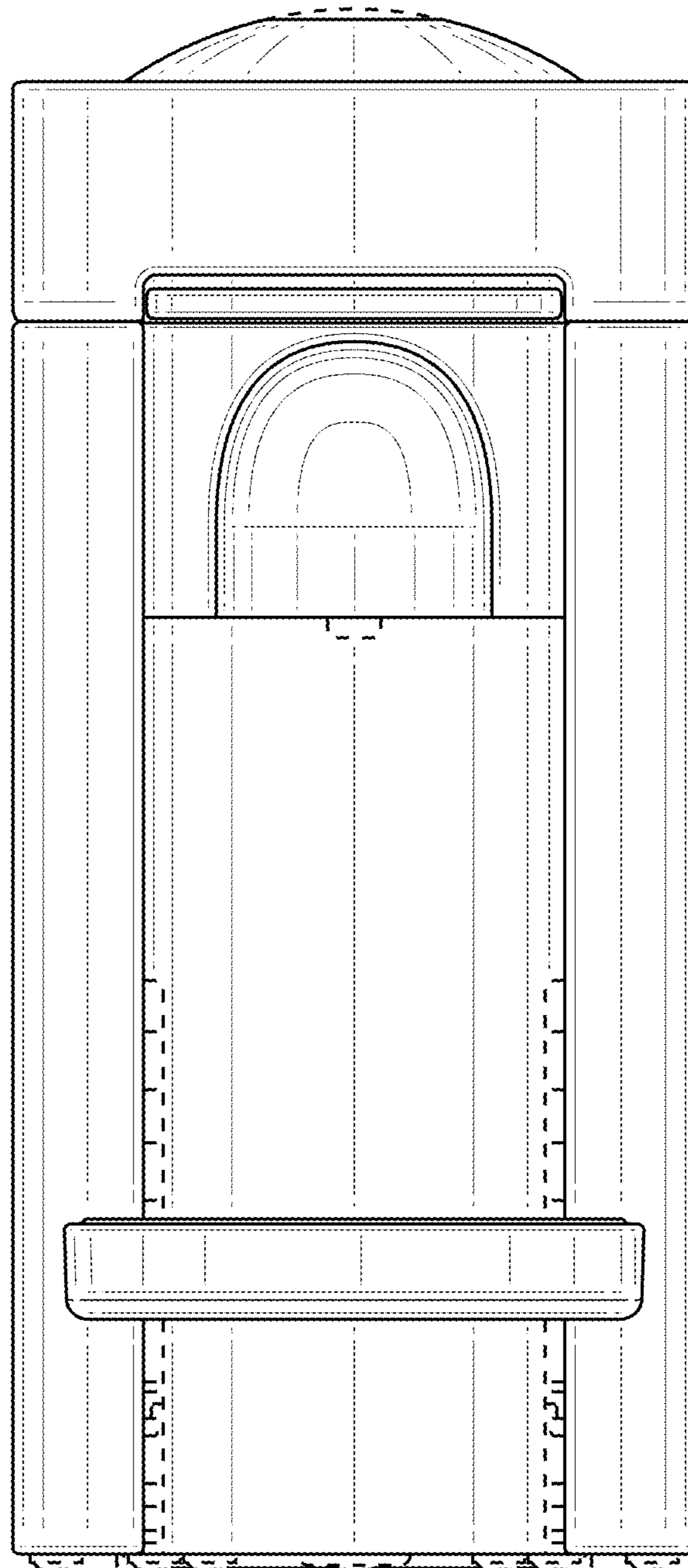
U.S. PATENT DOCUMENTS

2012/0285331 A1\* 11/2012 Mori ..... A47J 31/44  
99/285  
2013/0025465 A1\* 1/2013 Schnyder ..... A47J 31/44  
99/289 R  
2013/0112085 A1\* 5/2013 Turchi ..... A47J 31/4489  
99/300  
2013/0213238 A1\* 8/2013 Cahen ..... A47J 31/4485  
99/289 R

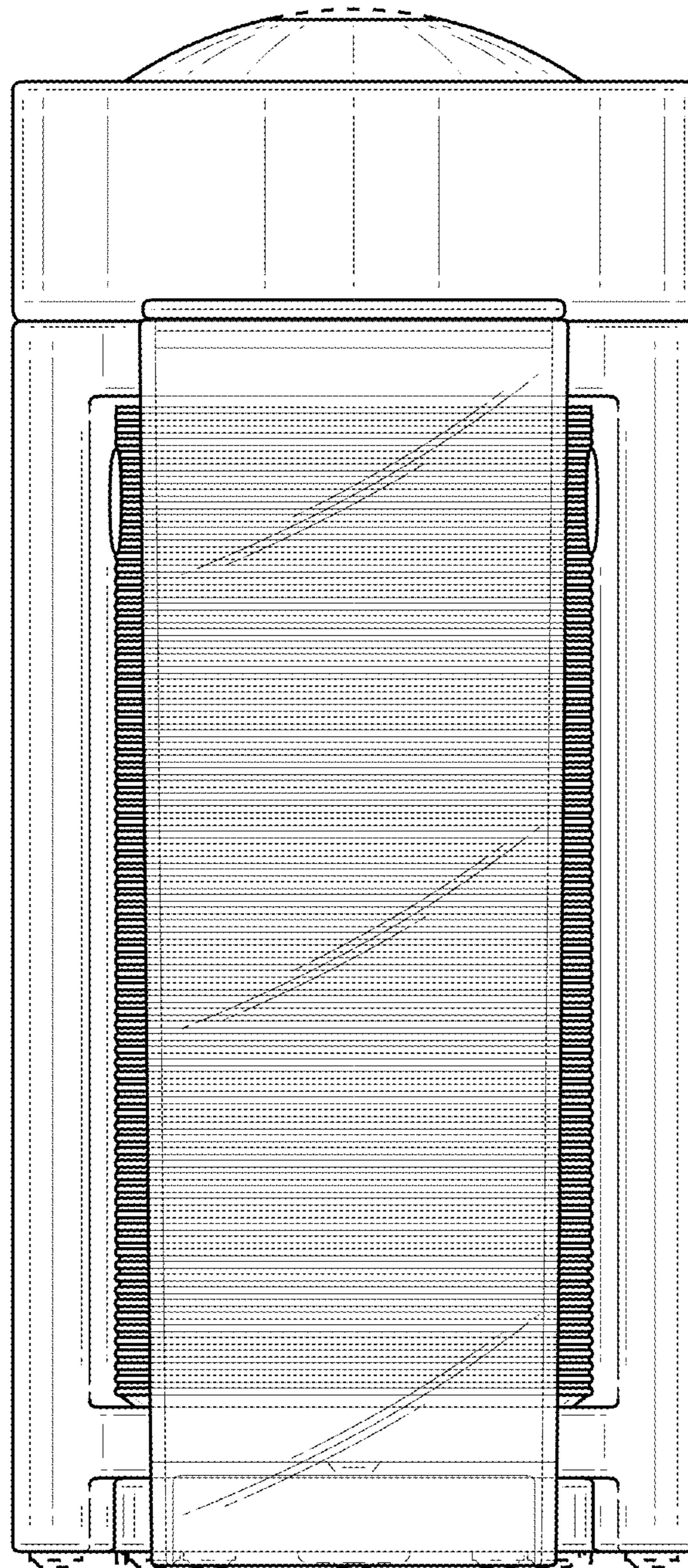
\* cited by examiner



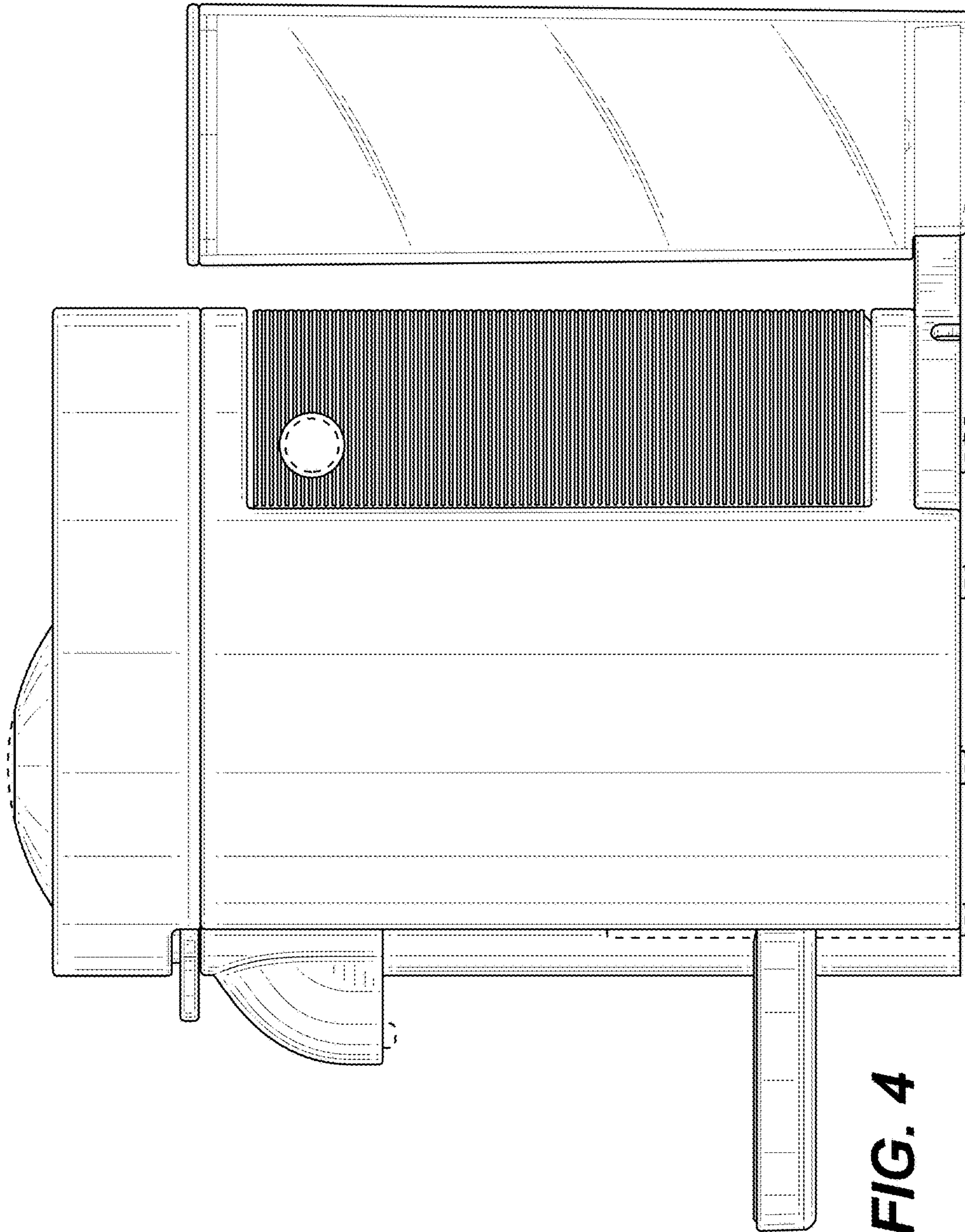
**FIG. 1**



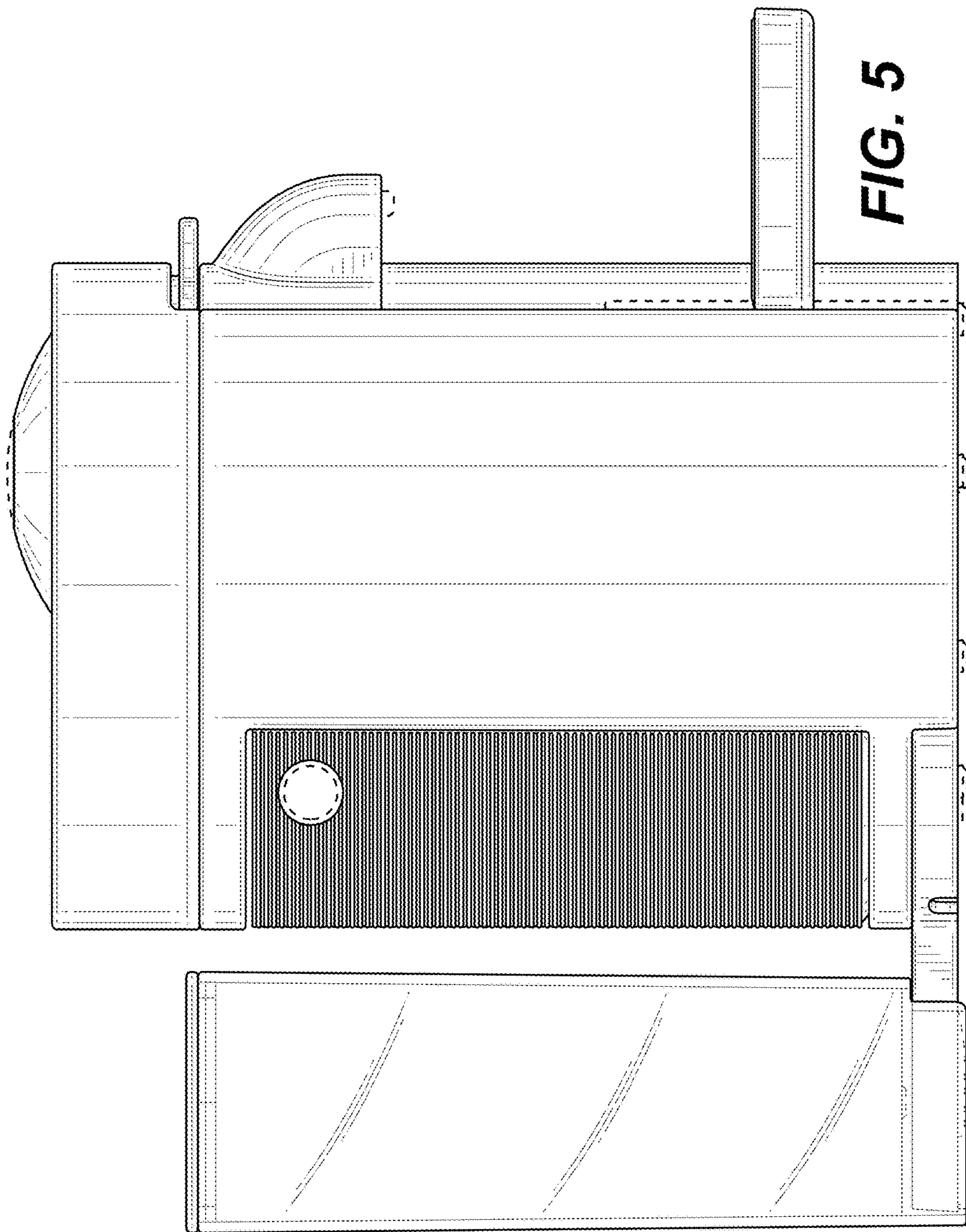
**FIG. 2**

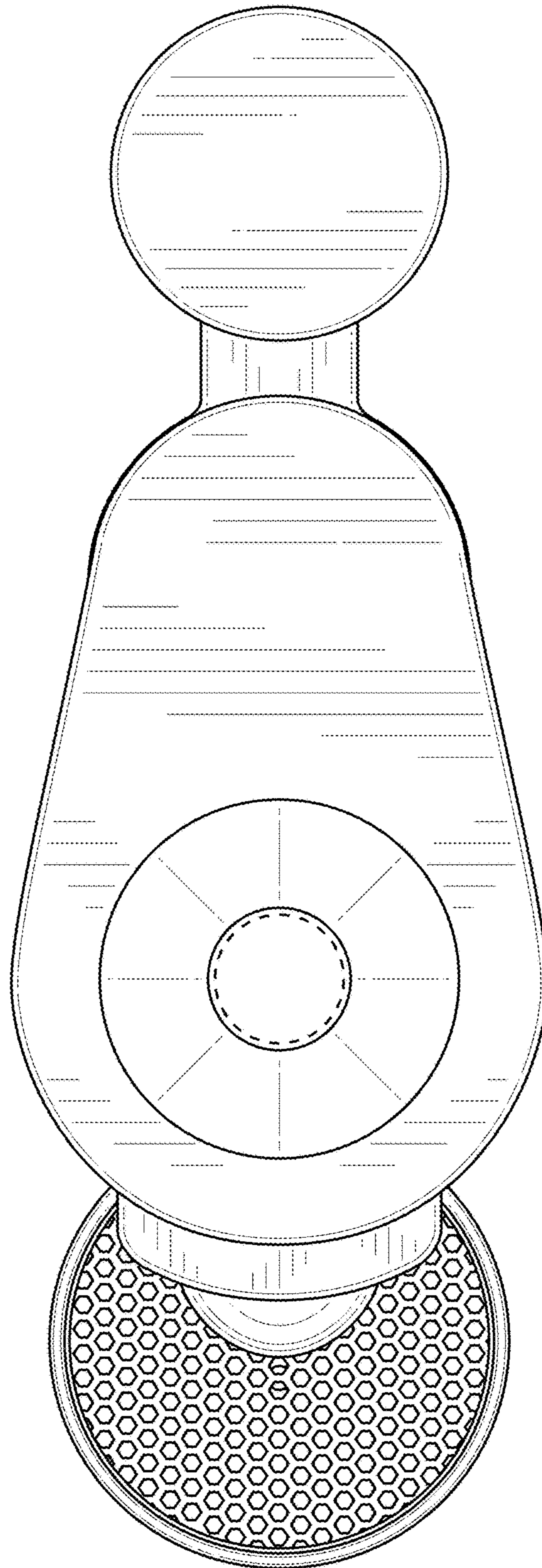


**FIG. 3**



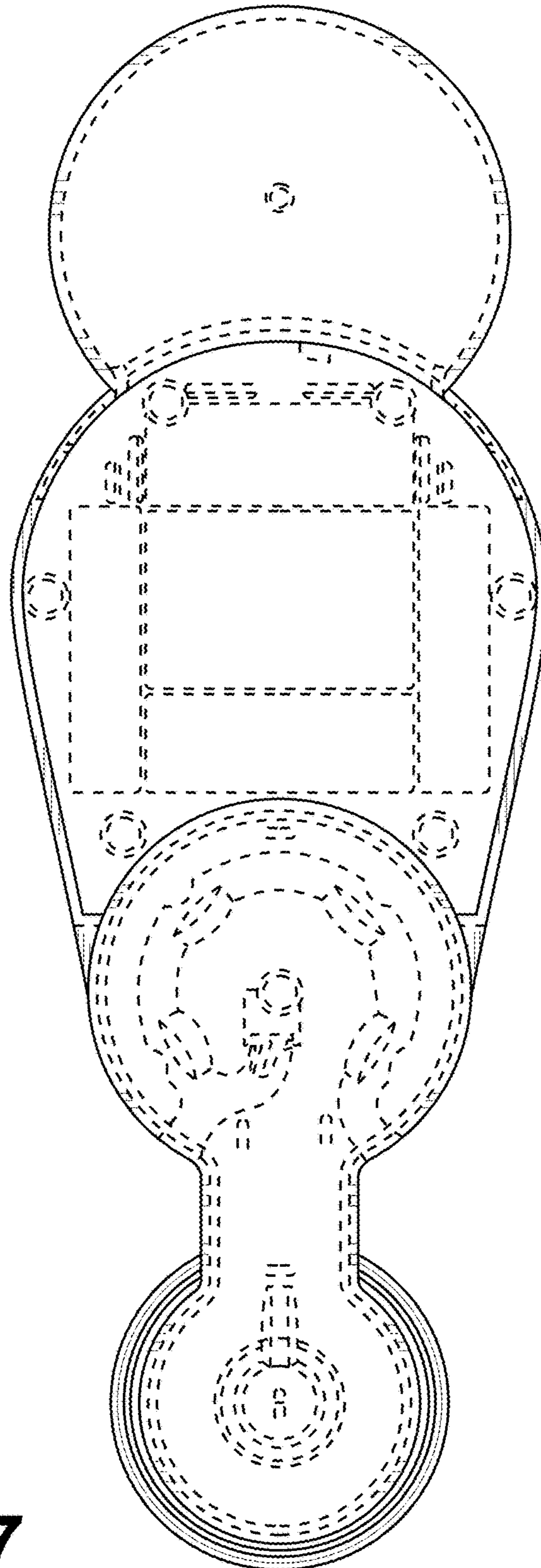
**FIG. 4**





**FIG. 6**





**FIG. 7**