



US00D836369S

(12) **United States Design Patent** (10) **Patent No.:** **US D836,369 S**
Jinbo (45) **Date of Patent:** **** Dec. 25, 2018**

- (54) **RACK FOR FURNITURE**
- (71) Applicant: **Okamura Corporation**, Yokohama-shi, Kanagawa (JP)
- (72) Inventor: **Asuka Jinbo**, Yokohama (JP)
- (73) Assignee: **Okamura Corporation**, Yokohama-shi, Kanagawa (JP)
- (**) Term: **15 Years**
- (21) Appl. No.: **29/599,363**
- (22) Filed: **Apr. 3, 2017**

(30) **Foreign Application Priority Data**

Oct. 4, 2016 (JP) 2016-021573

(51) **LOC (11) Cl.** **06-03**

(52) **U.S. Cl.**
USPC **D6/702; D6/705**

(58) **Field of Classification Search**
USPC D6/405, 574, 648.2, 648.3, 651.1, 651.2, D6/652, 652.1, 652.2, 653, 653.1, 655, D6/655.1, 681.2, 702, 705, 706; D19/95
CPC A47B 83/00; A47B 43/00; A47B 45/00; A47B 46/00; A47B 47/00; A47B 81/00; A47B 81/007; A47B 83/04; A47B 83/045; A47B 57/20; A47B 57/54; A47B 65/10; A47B 65/00; A47B 23/04; A47B 2001/105; G06F 1/181; B42F 17/08; B65G 1/00

See application file for complete search history.

(56) **References Cited**

U.S. PATENT DOCUMENTS

- D171,295 S * 1/1954 Carlson D6/652.1
- D183,443 S * 8/1958 Williams D6/652
- D215,378 S * 9/1969 Schaible D19/92
- D225,809 S * 1/1973 Torrey D6/655
- D236,067 S * 7/1975 Peters, Jr. D6/652
- D236,935 S * 9/1975 Frazelle D6/683

- D238,230 S * 12/1975 Sklaroff D6/652
- D258,788 S * 4/1981 Verdesca D6/655
- D274,042 S * 5/1984 Bulgari D10/18
- 4,830,198 A * 5/1989 Colquitt B44D 3/123
211/13.1
- D331,073 S * 11/1992 Dotterman D19/75

(Continued)

OTHER PUBLICATIONS

Mag-Ander, posted at Magracktables.com, posted on Jun. 24, 2016, site visited Jul. 8, 2018. online, available from internet: <https://web.archive.org/web/20160624025133/http://www.magracktables.com/products.html>.*

(Continued)

Primary Examiner — Mary Ann Calabrese

Assistant Examiner — Catherine Ho

(74) *Attorney, Agent, or Firm* — Banner & Witcoff, Ltd.

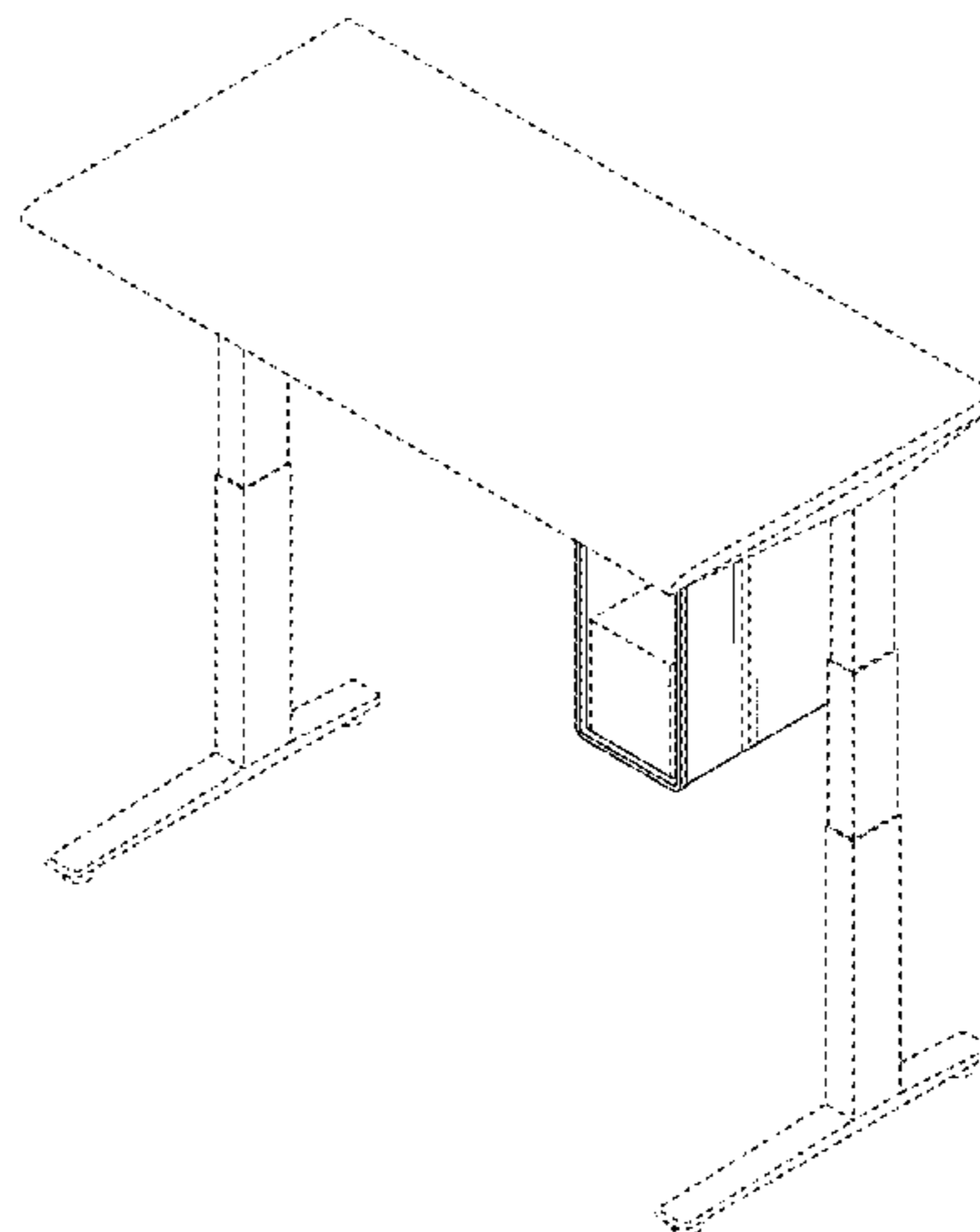
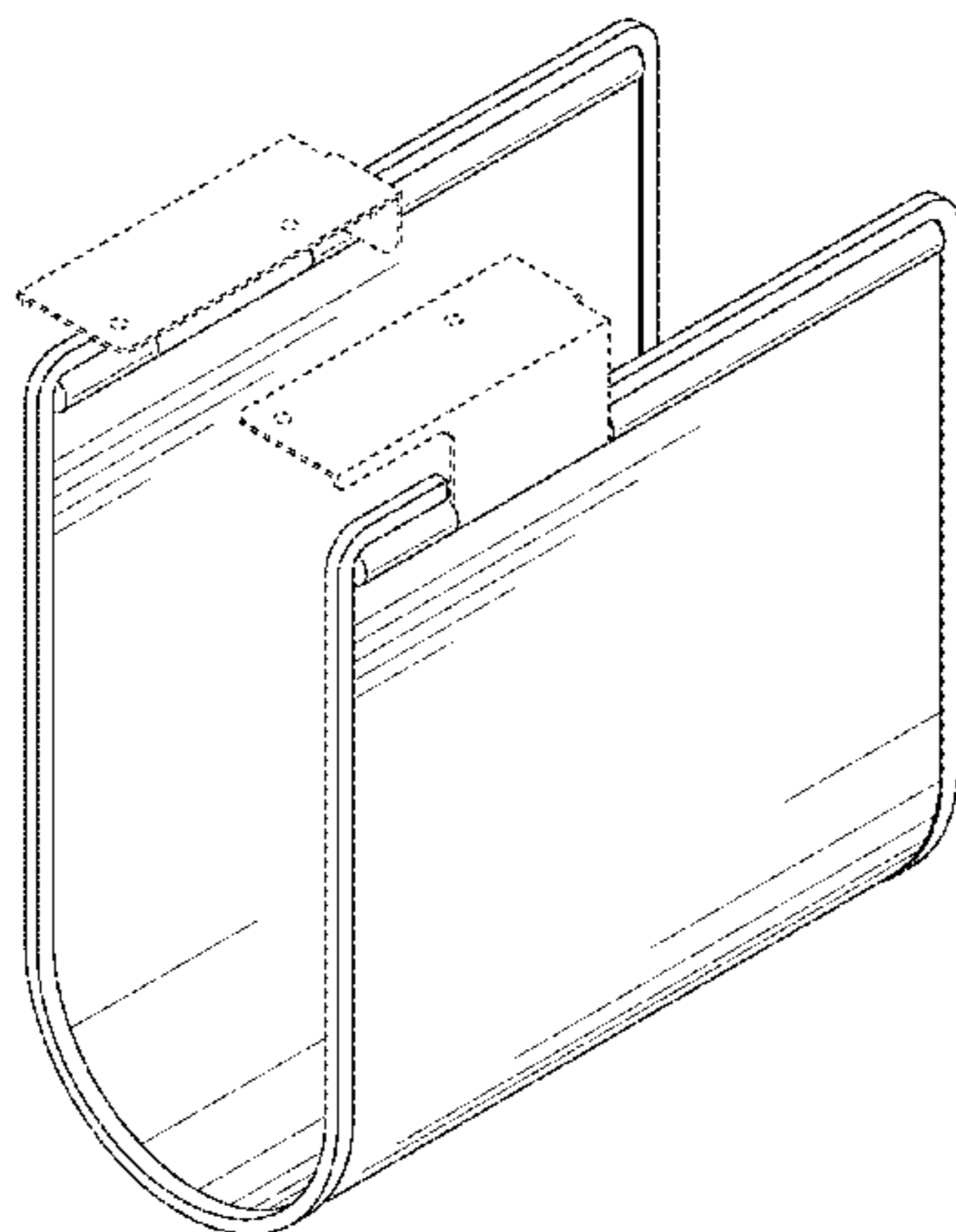
(57) **CLAIM**

The ornamental design for a rack for furniture, as shown and described.

DESCRIPTION

FIG. 1 is a perspective view of a rack for furniture showing my new design;
FIG. 2 is a front view thereof;
FIG. 3 is a rear view thereof;
FIG. 4 is a right side view thereof, the left side view thereof being a mirror image;
FIG. 5 is a top view thereof;
FIG. 6 is a bottom view thereof;
FIG. 7 is a perspective view of usage; and,
FIG. 8 is a perspective view of usage.
The rack for furniture is made from a flexible material. The broken lines in FIGS. 1-6 are for the purpose of illustrating portions of the rack of the furniture and form no part of the claimed design. The broken lines in FIGS. 7-8 are for the purpose of illustrating the environmental structure and form no part of the claimed design.

1 Claim, 8 Drawing Sheets



(56)

References Cited

U.S. PATENT DOCUMENTS

5,458,997 A * 10/1995 Crespi H01M 10/05
429/219
D523,665 S * 6/2006 Schulman D6/705

OTHER PUBLICATIONS

Chezroulez, posted at Chezroulez.com, posted on May 15, 2016,
site visited Jul. 8, 2018. online, available from internet: https://tineye.com/search/e5c7581aa0791144e3ab5b16751040915f39e3c7/?extension_ver=chrome-1.2.0.*

MAG Side Table, posted at Wayfair.com, posted on Apr. 1, 2008,
site visited Jul. 8, 2018. online, available from internet: <https://www.wayfair.com/decor-pillows/pdp/offi-mag-side-table-off1104.html>.*

Furniture Wooden Wine Rack, posted at Youtube.com, posted on
May 9, 2009, site visited Jul. 8, 2018. online, available from
internet: https://www.youtube.com/watch?v=5W4_3yT0IM8.*

* cited by examiner

FIG. 1

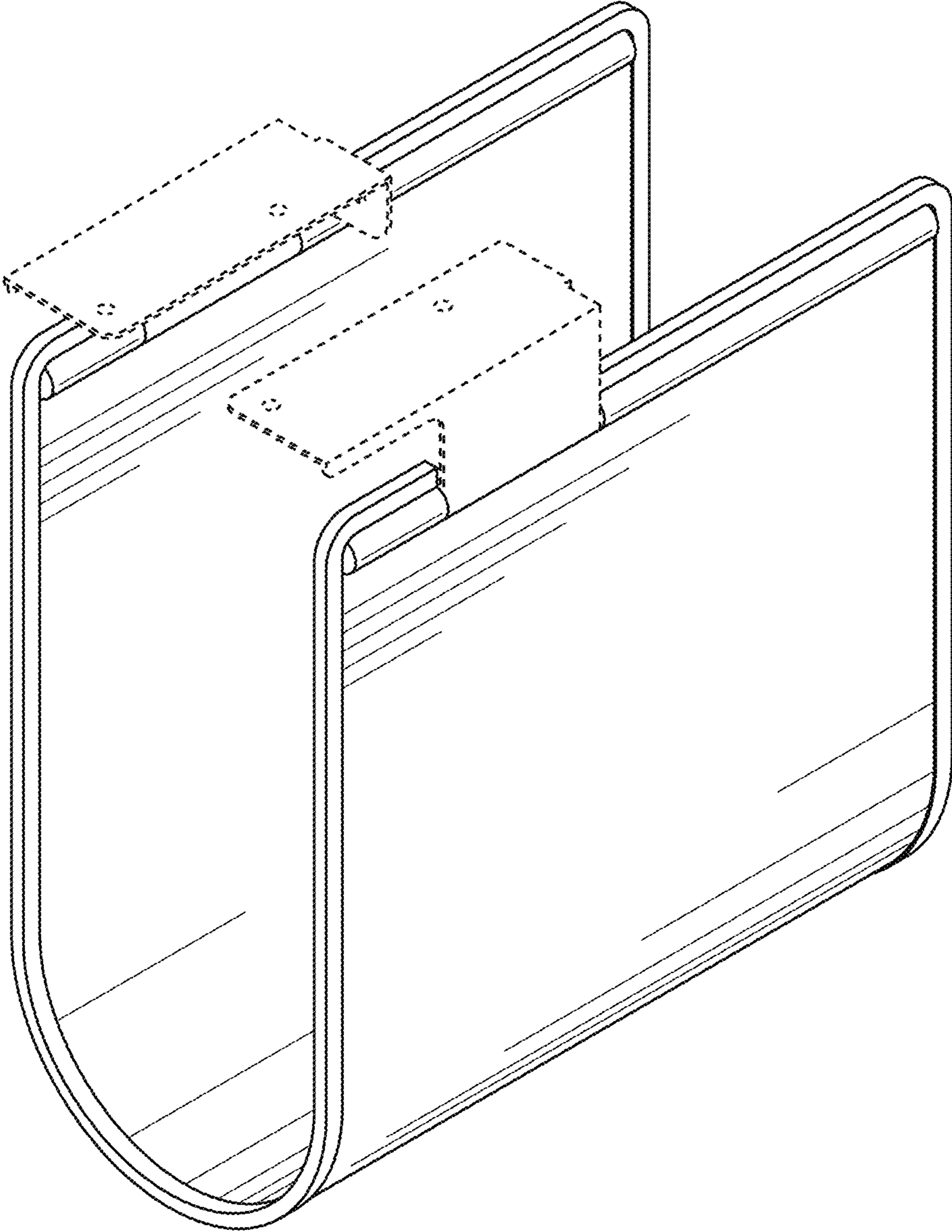


FIG. 2

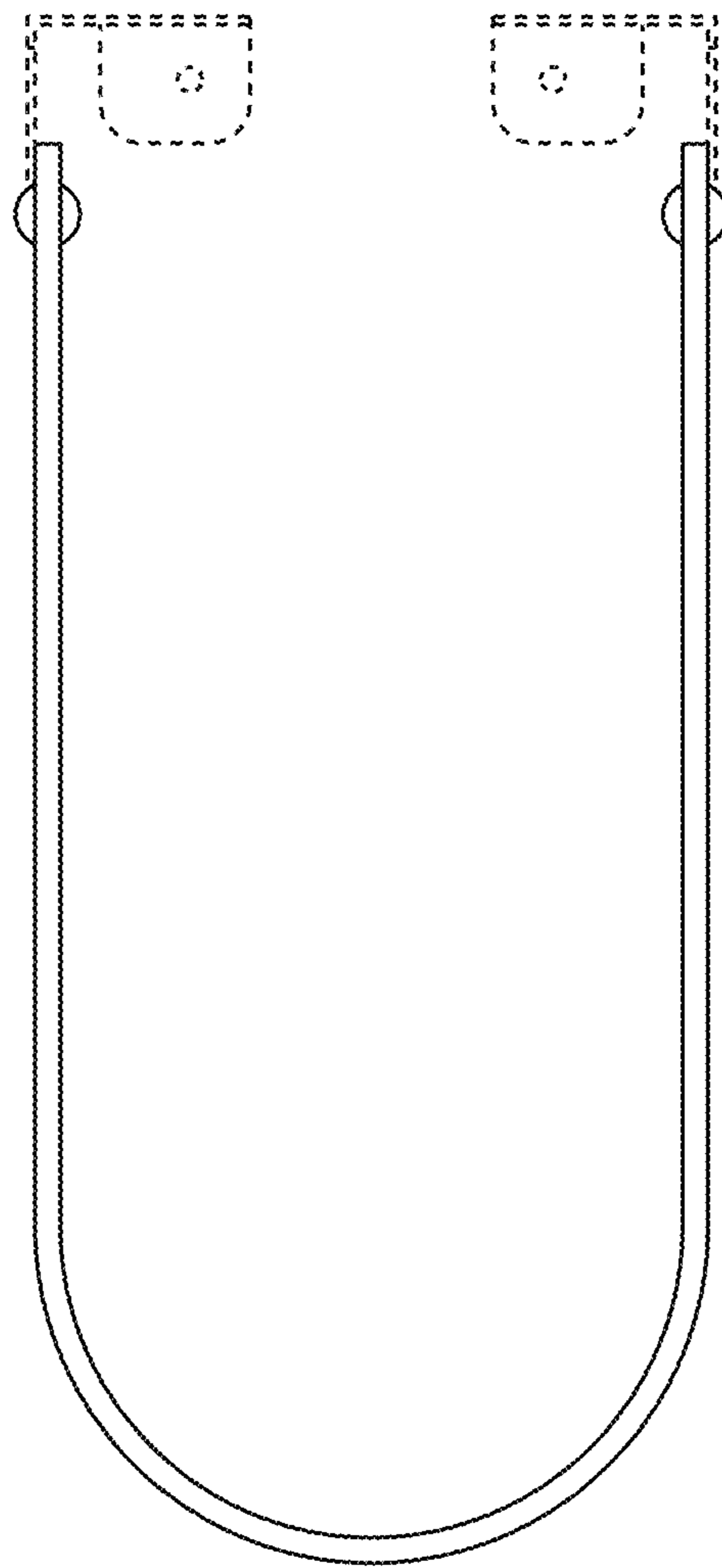


FIG. 3

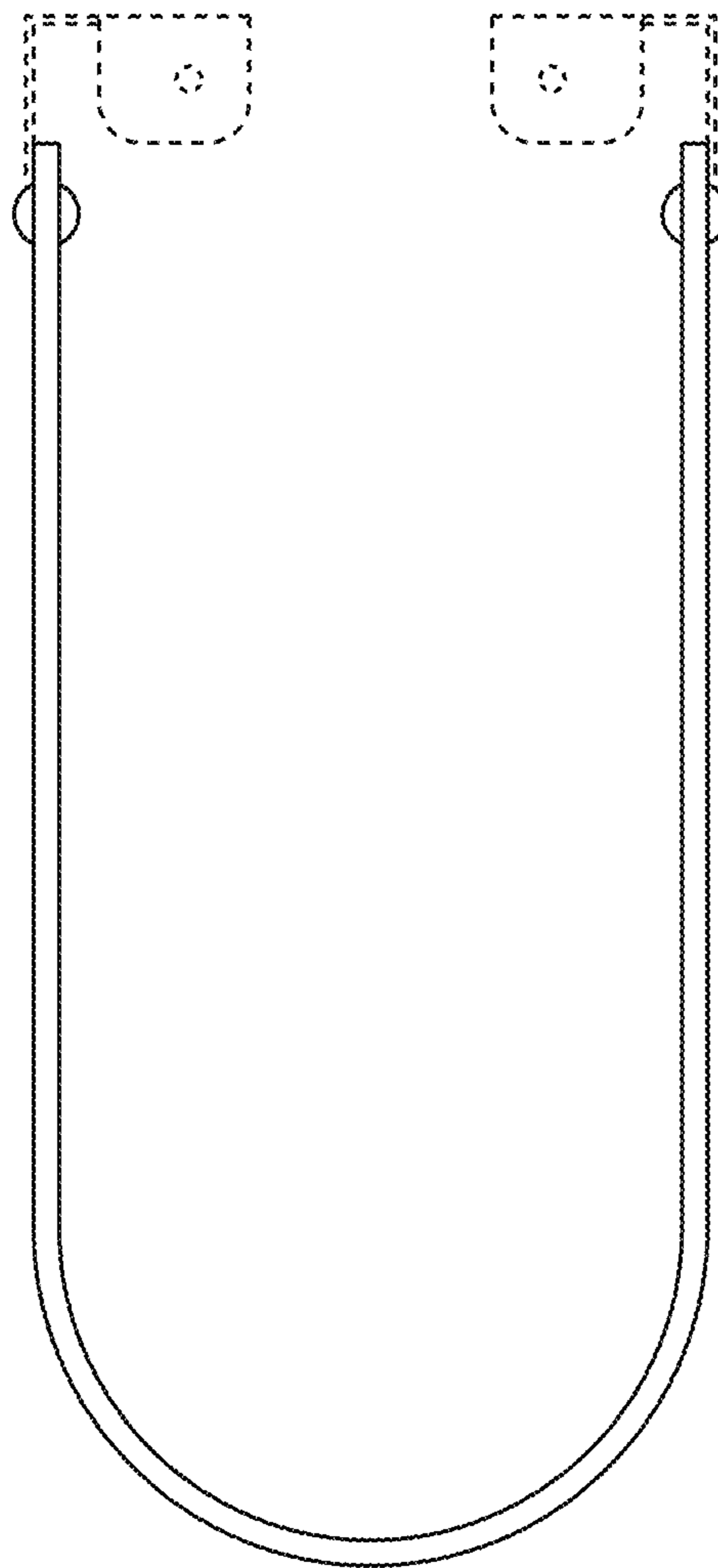


FIG. 4

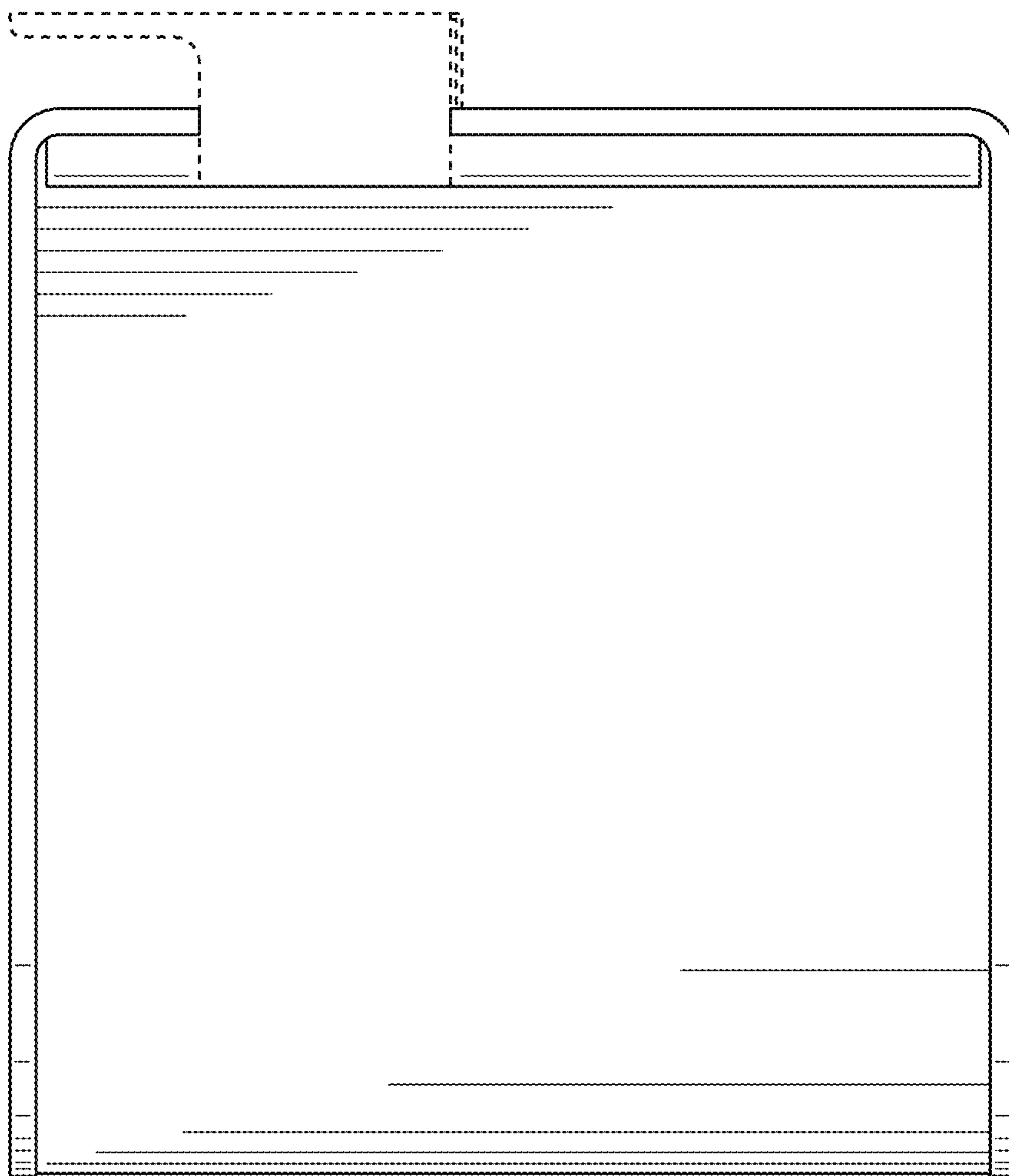


FIG. 5

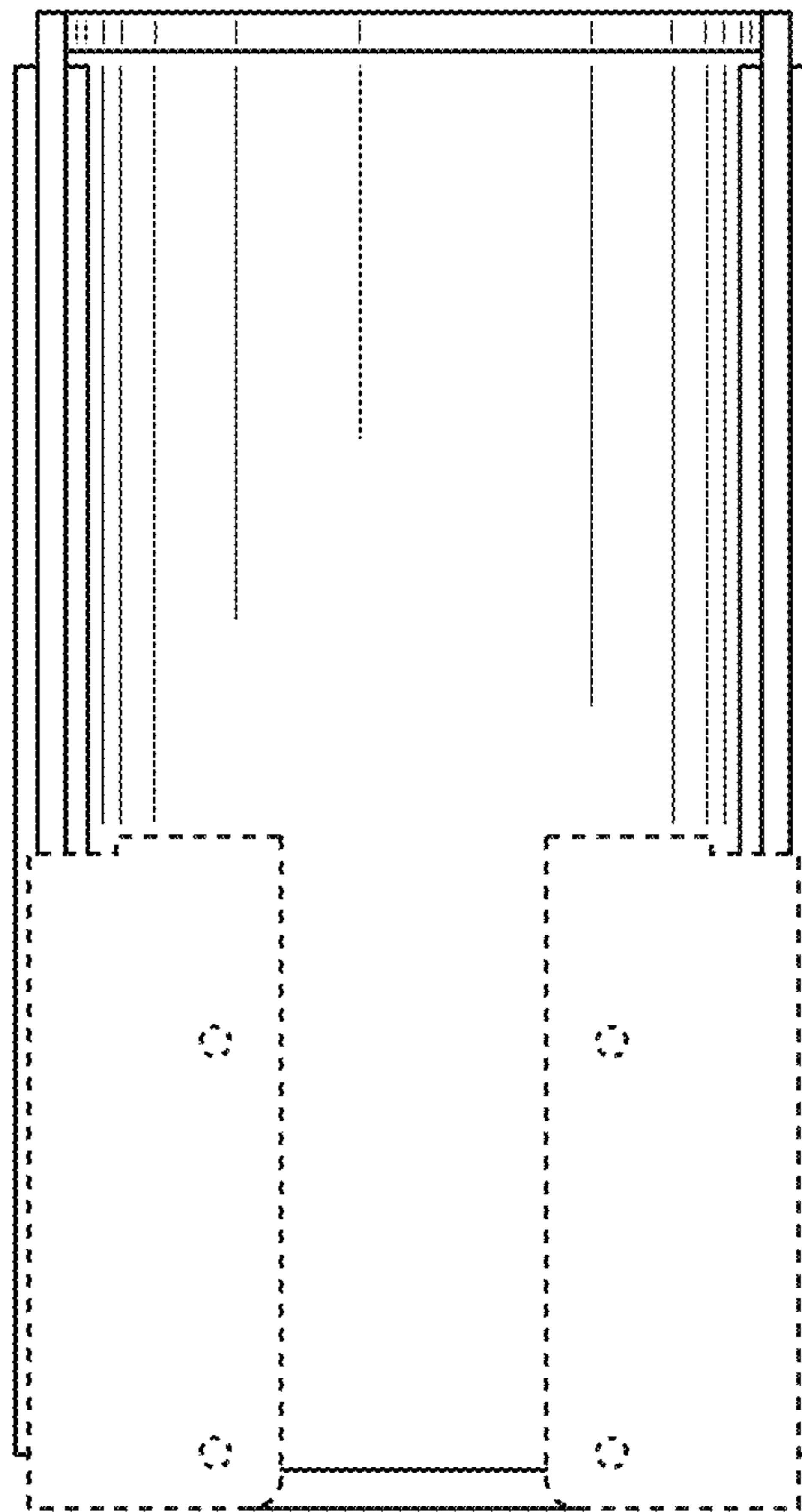


FIG. 6

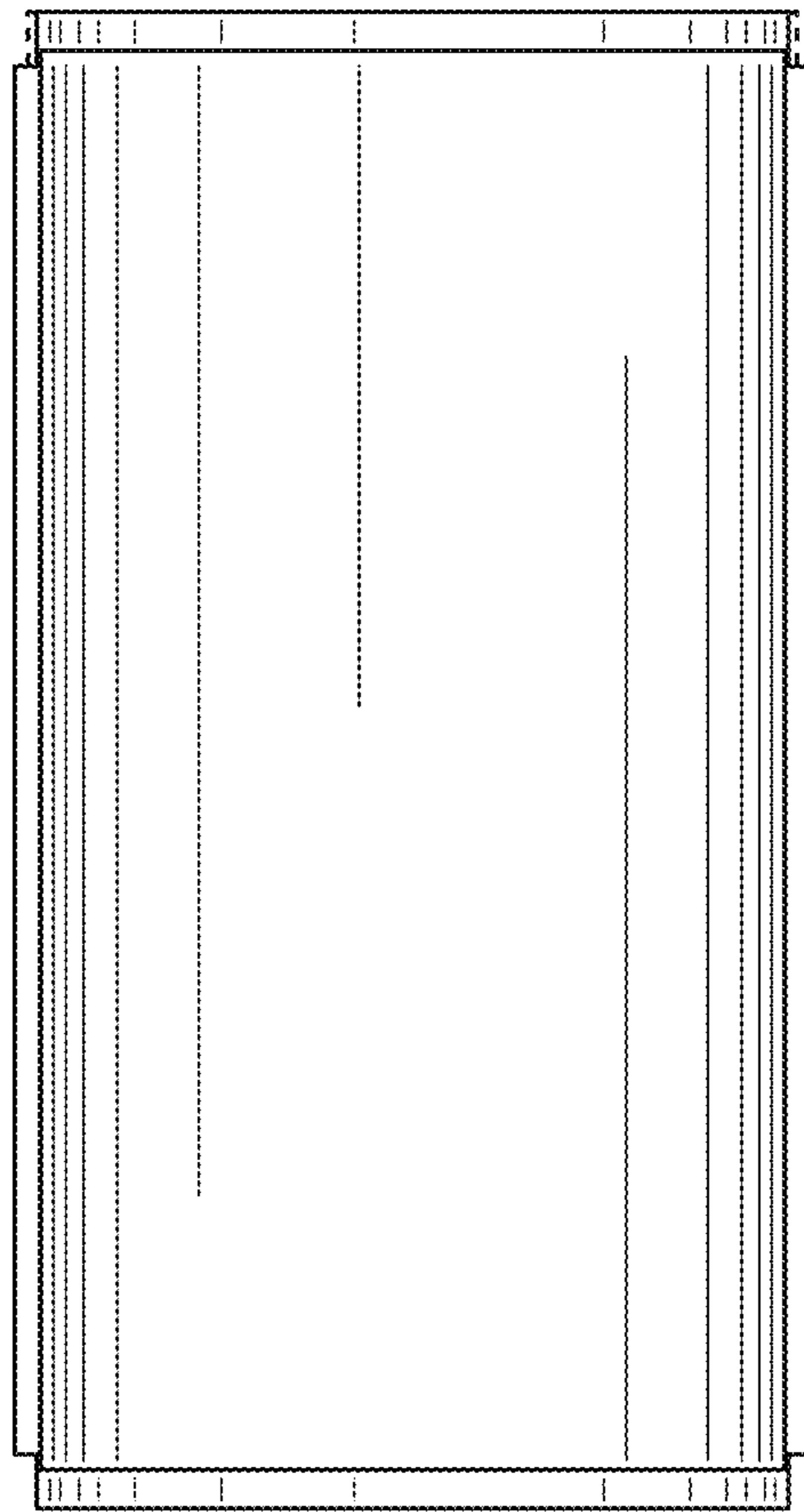


FIG. 7

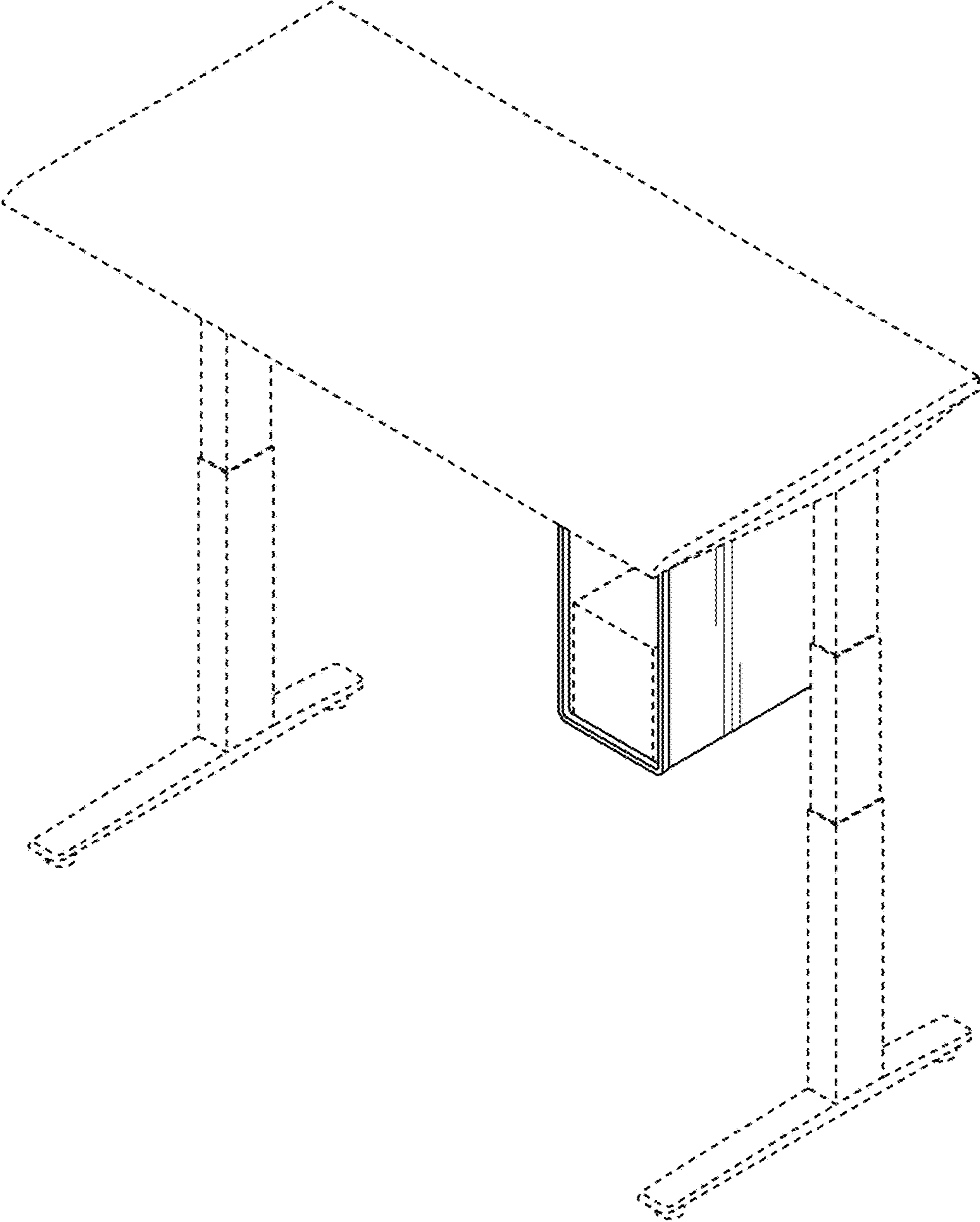


FIG. 8

