



US00D836368S

(12) **United States Design Patent** (10) **Patent No.:** **US D836,368 S**
Sorel (45) **Date of Patent:** **** Dec. 25, 2018**

(54) **TABLE**
(71) Applicant: **WEST COAST INDUSTRIES, INC.**,
San Francisco, CA (US)
(72) Inventor: **Jess Sorel**, Oakland, CA (US)
(73) Assignee: **WEST COAST INDUSTRIES, INC.**,
San Francisco, CA (US)

(**) Term: **15 Years**

(21) Appl. No.: **29/614,273**

(22) Filed: **Aug. 17, 2017**

(51) **LOC (11) Cl.** **06-03**

(52) **U.S. Cl.**
USPC **D6/694; D6/695**

(58) **Field of Classification Search**
USPC D6/671, 672, 675, 686, 687, 688.26,
D6/688.27, 691, 691.1, 691.3, 691.4,
D6/691.6, 691.8, 691.9, 693, 694, 695,
D6/695.1, 696, 696.1, 696.3, 697, 702,
D6/707.15, 708, 708.17, 709, 710
CPC A47B 13/06; A47B 2013/026; A47B 1/08;
A47B 2003/0821; A47B 3/087; A47B
3/0911; A47B 3/0918
See application file for complete search history.

(56) **References Cited**

U.S. PATENT DOCUMENTS

D153,909 S * 5/1949 Wais 108/91
D242,587 S * 12/1976 Sklaroff D6/656.15

D290,072 S * 6/1987 Winzeler, III D6/691.4
D507,131 S * 7/2005 Pingel D6/699.5
D644,456 S * 9/2011 Martin D6/690
D659,426 S * 5/2012 Arko D6/700
D731,216 S * 6/2015 Sorel D6/690
D773,201 S * 12/2016 Cardell D6/406.1
D782,229 S * 3/2017 Merritt D6/691
D795,616 S * 8/2017 Muller D6/695
9,826,825 B1 * 11/2017 Jones A47B 9/00
D819,998 S * 6/2018 Siebert D6/372

* cited by examiner

Primary Examiner — Mary Ann Calabrese

Assistant Examiner — Catherine Ho

(74) *Attorney, Agent, or Firm* — Dergosits & Noah LLP;
Todd A. Noah

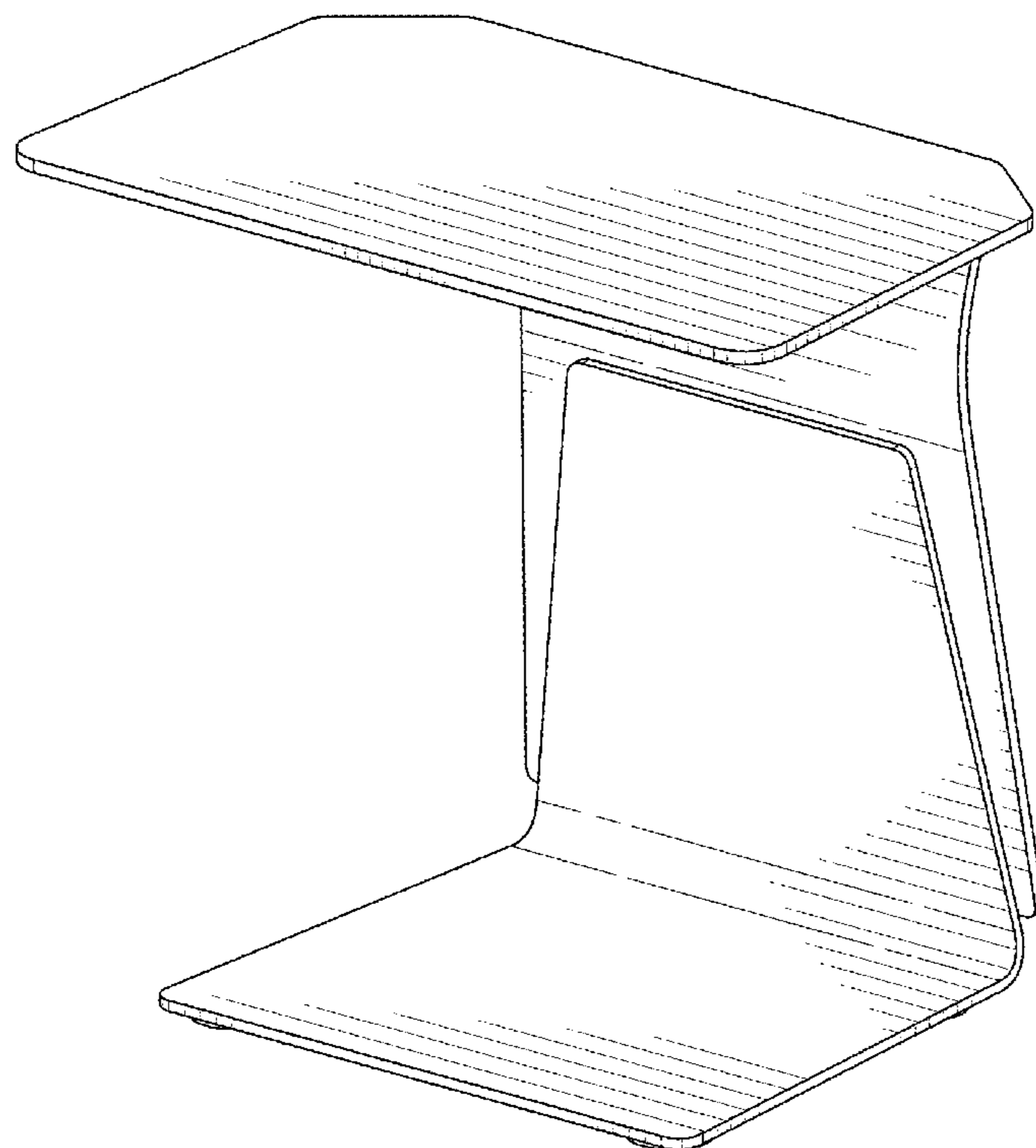
(57) **CLAIM**

I claim the ornamental design for a table, as shown and described.

DESCRIPTION

FIG. 1 is a front perspective view of the table;
FIG. 2 is a back perspective view thereof;
FIG. 3 is a front elevational view thereof;
FIG. 4 is a back elevational view thereof;
FIG. 5 is a side elevational view thereof;
FIG. 6 is a top view thereof; and,
FIG. 7 is a bottom view thereof.
The broken lines shown are included for the purpose of illustrating and forms no part of the claimed design.

1 Claim, 6 Drawing Sheets



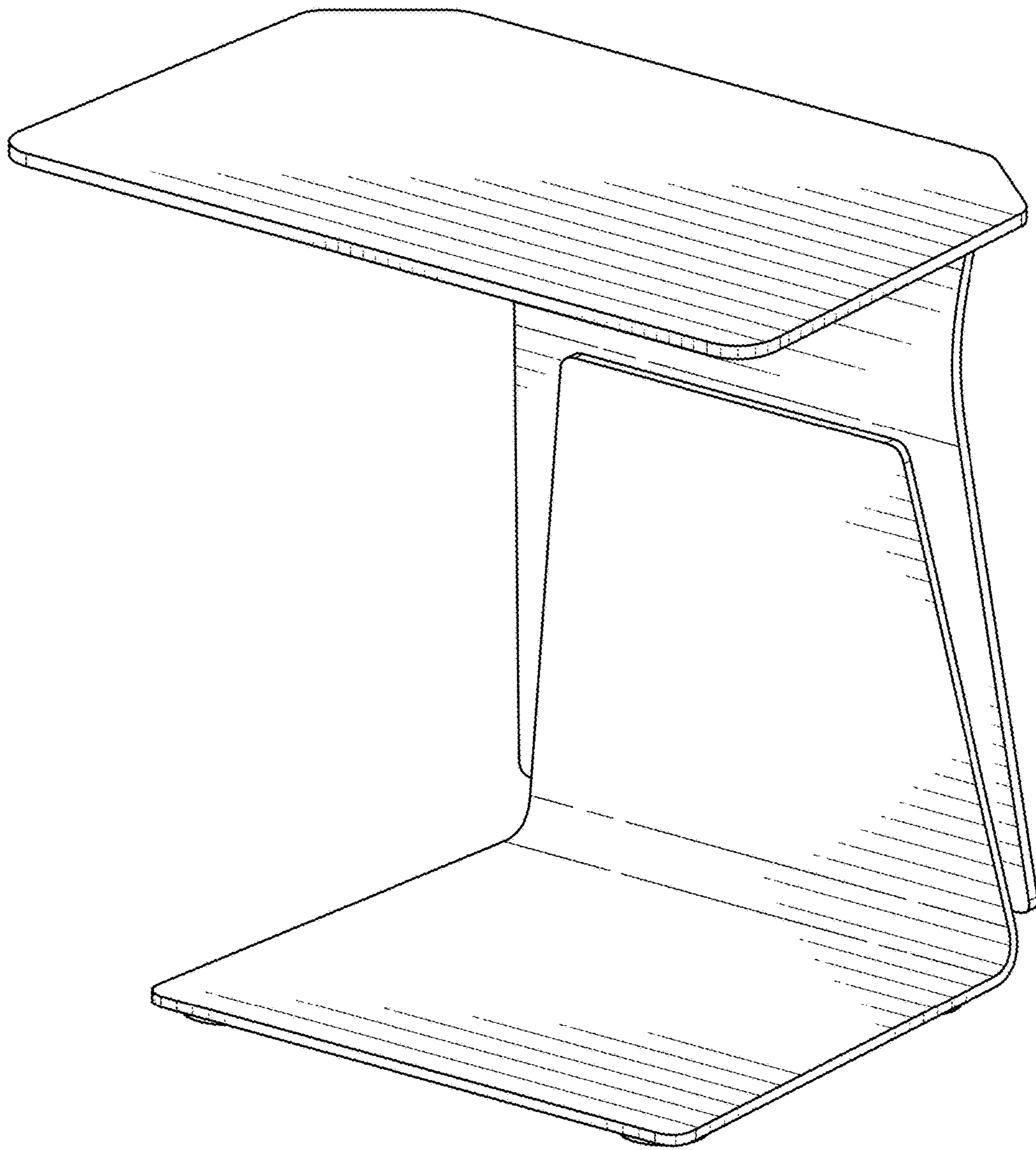


FIG. 1

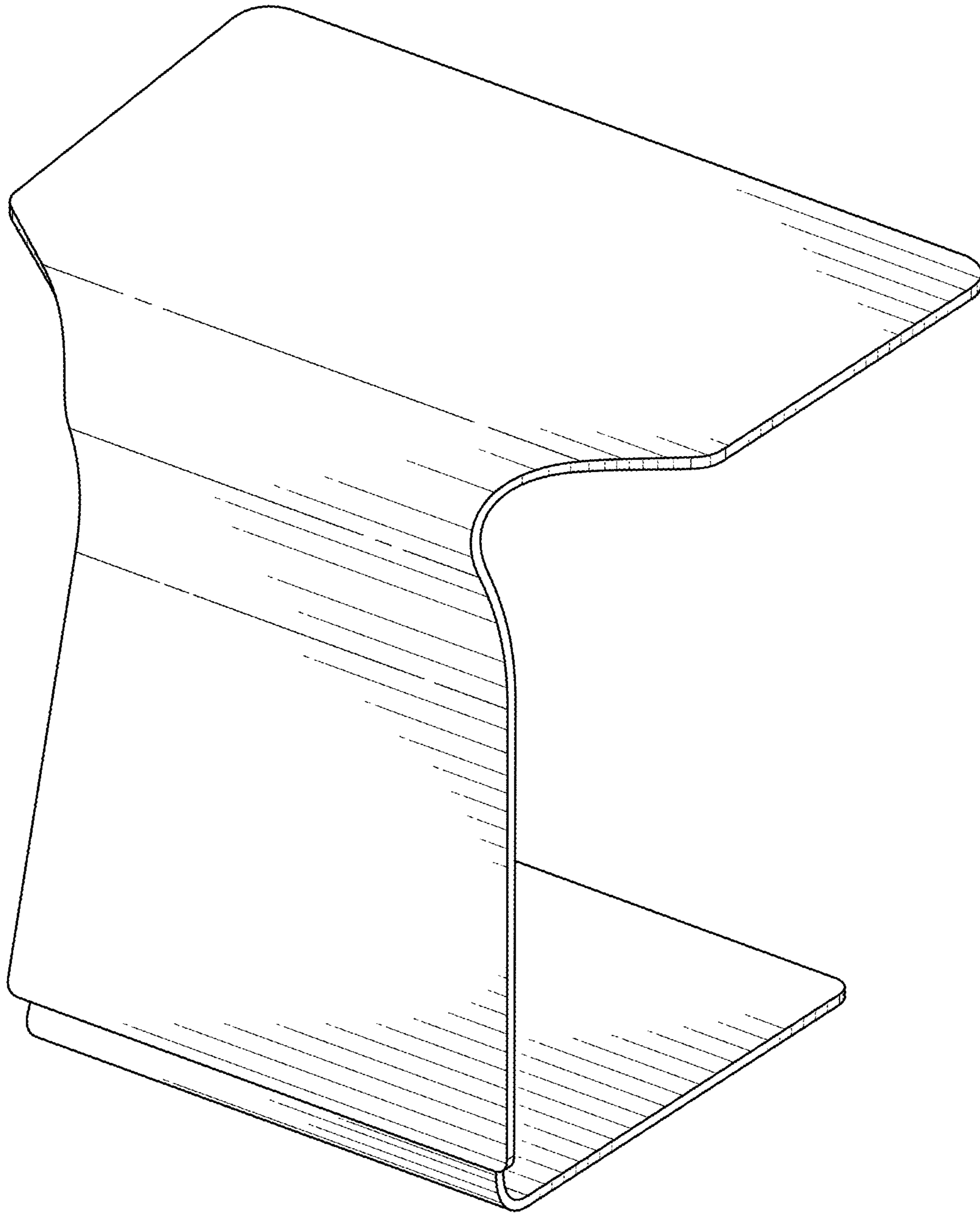


FIG. 2

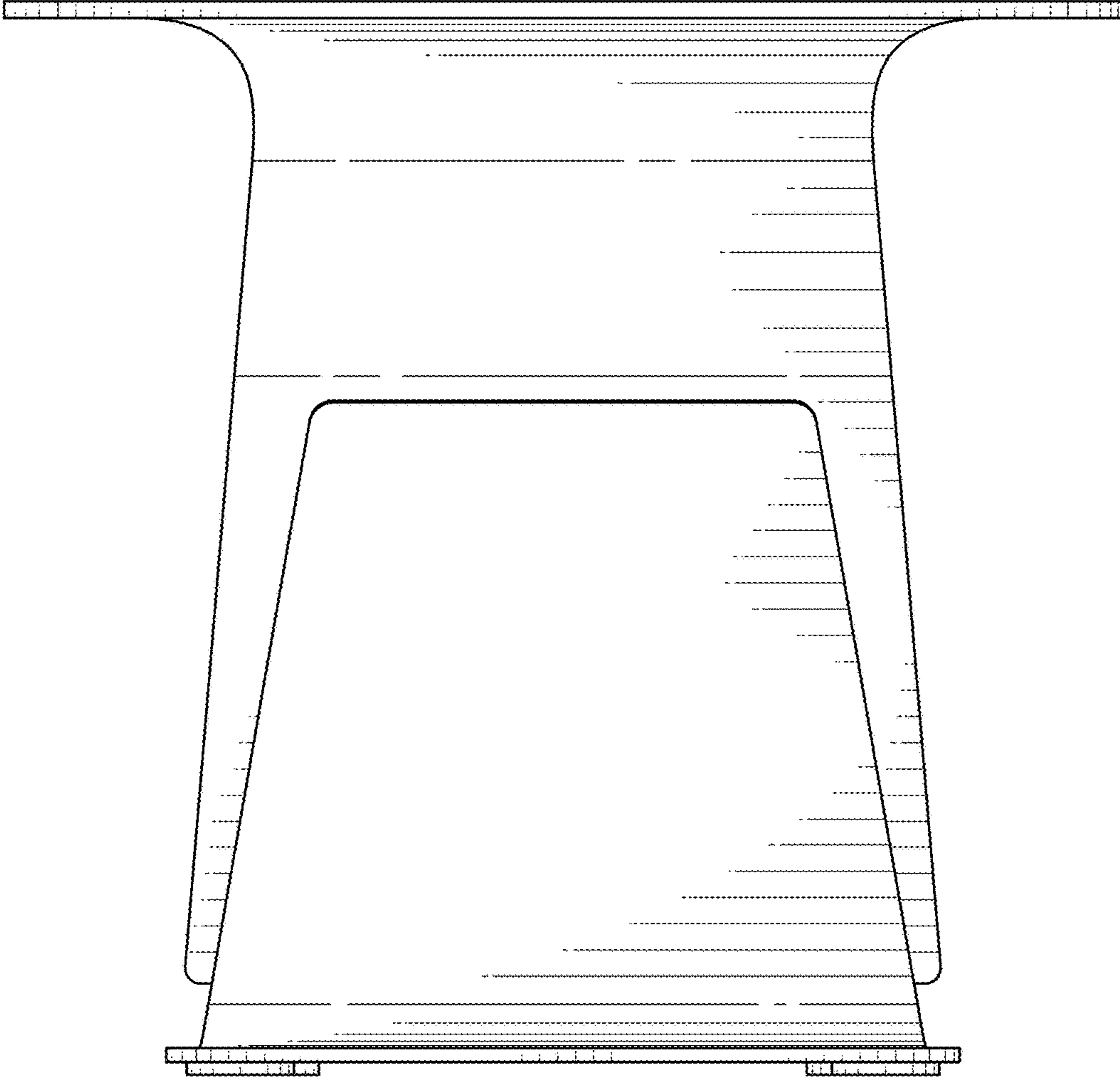


FIG. 3

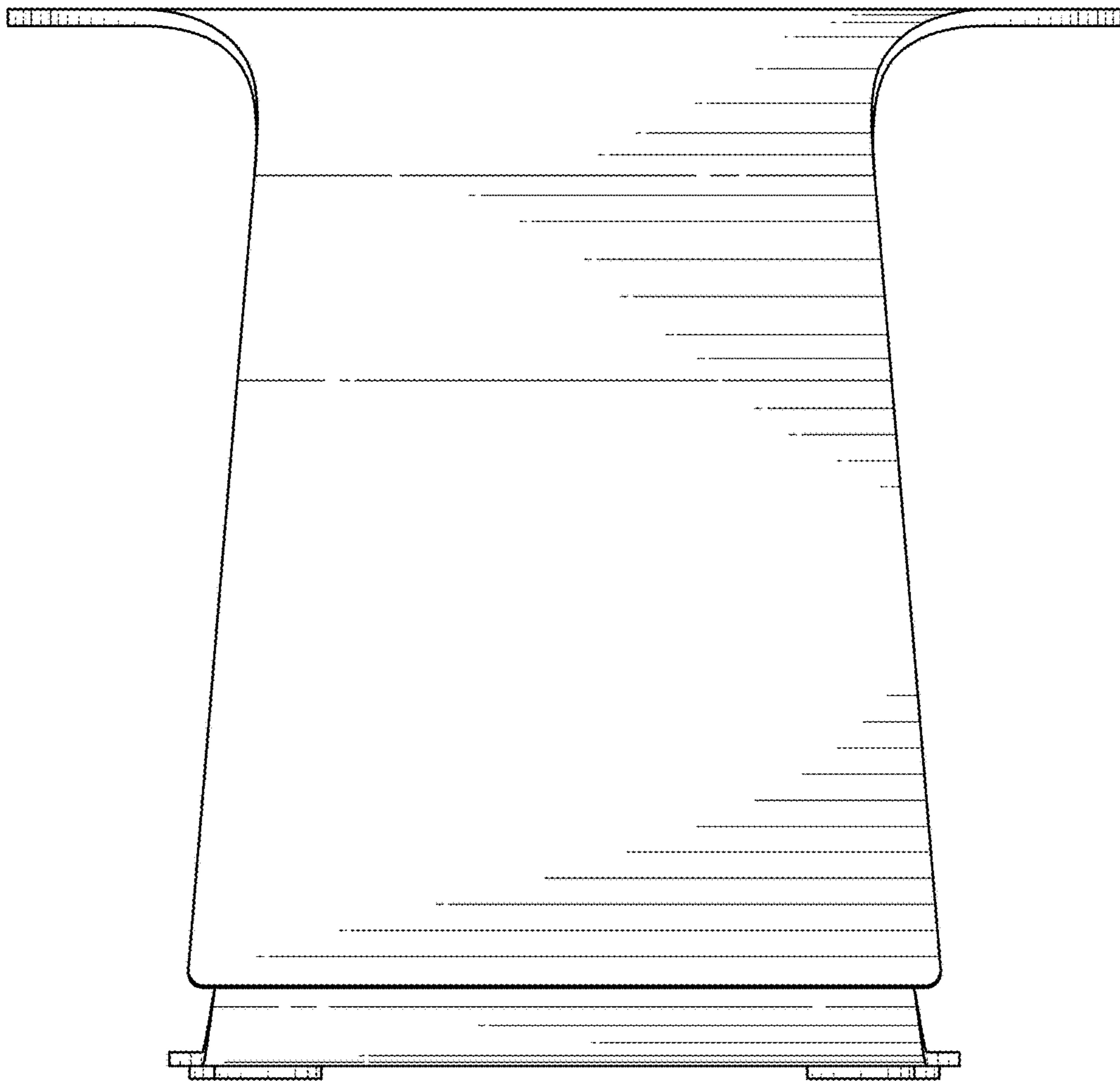


FIG. 4

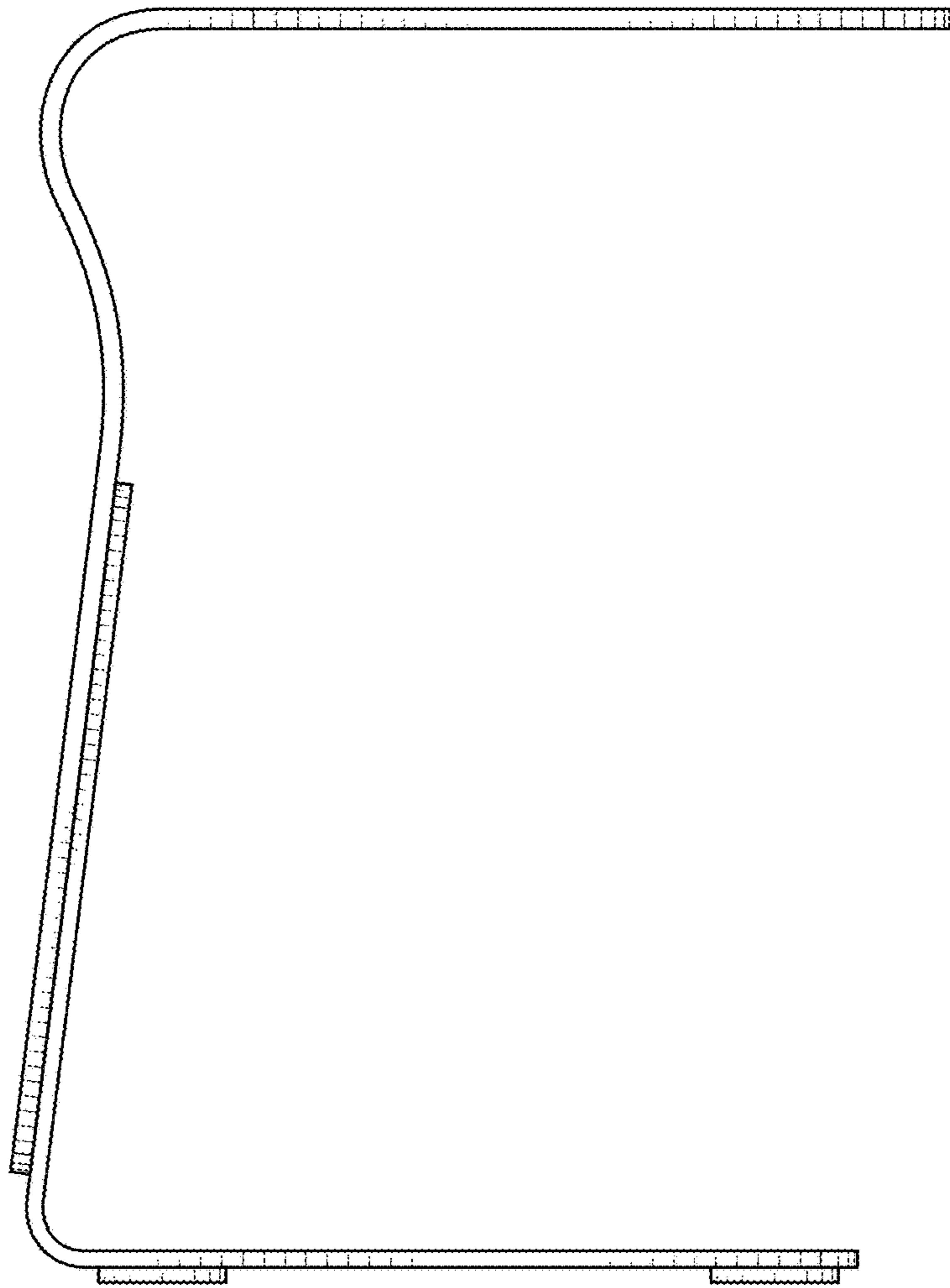


FIG. 5

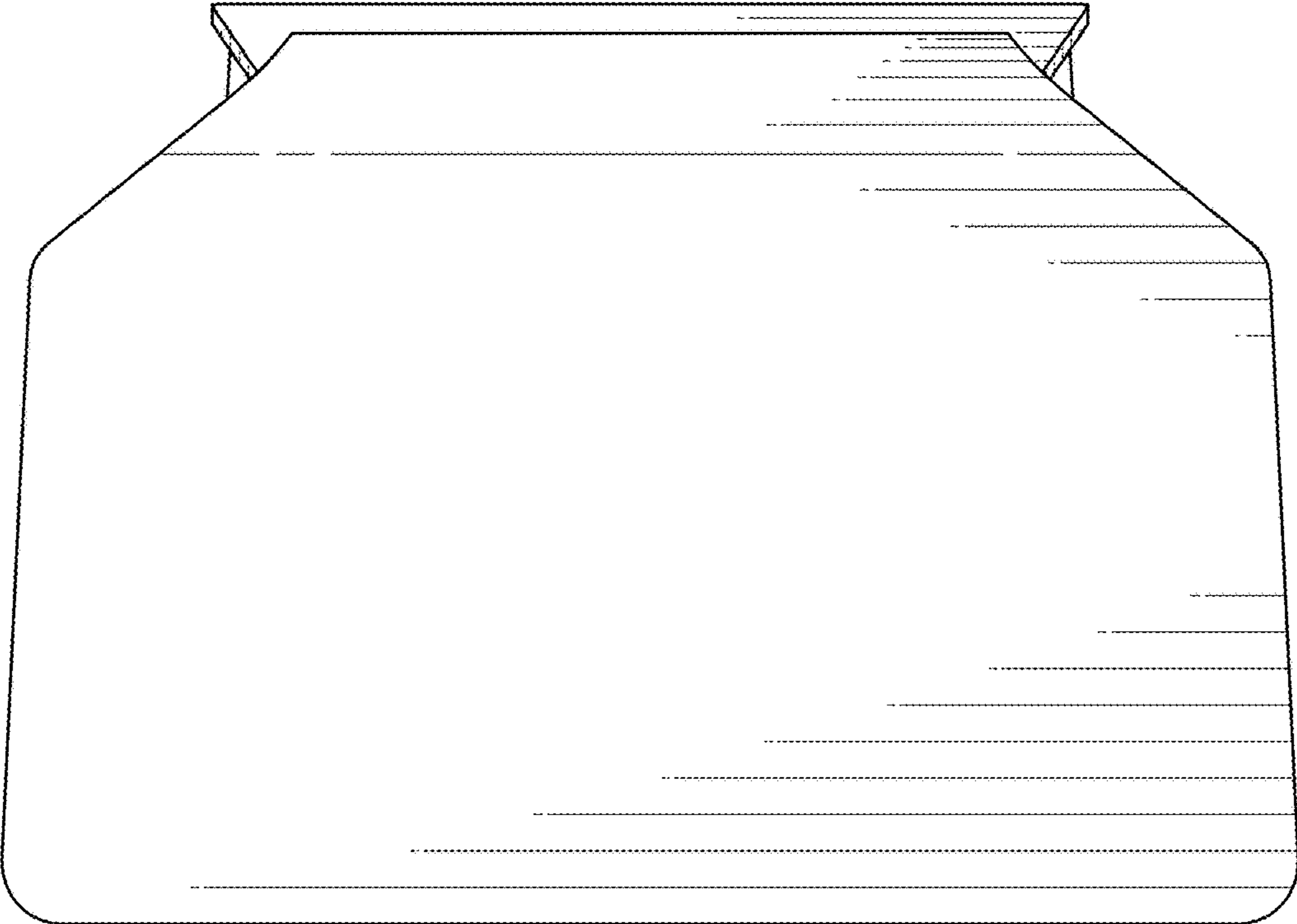


FIG. 6

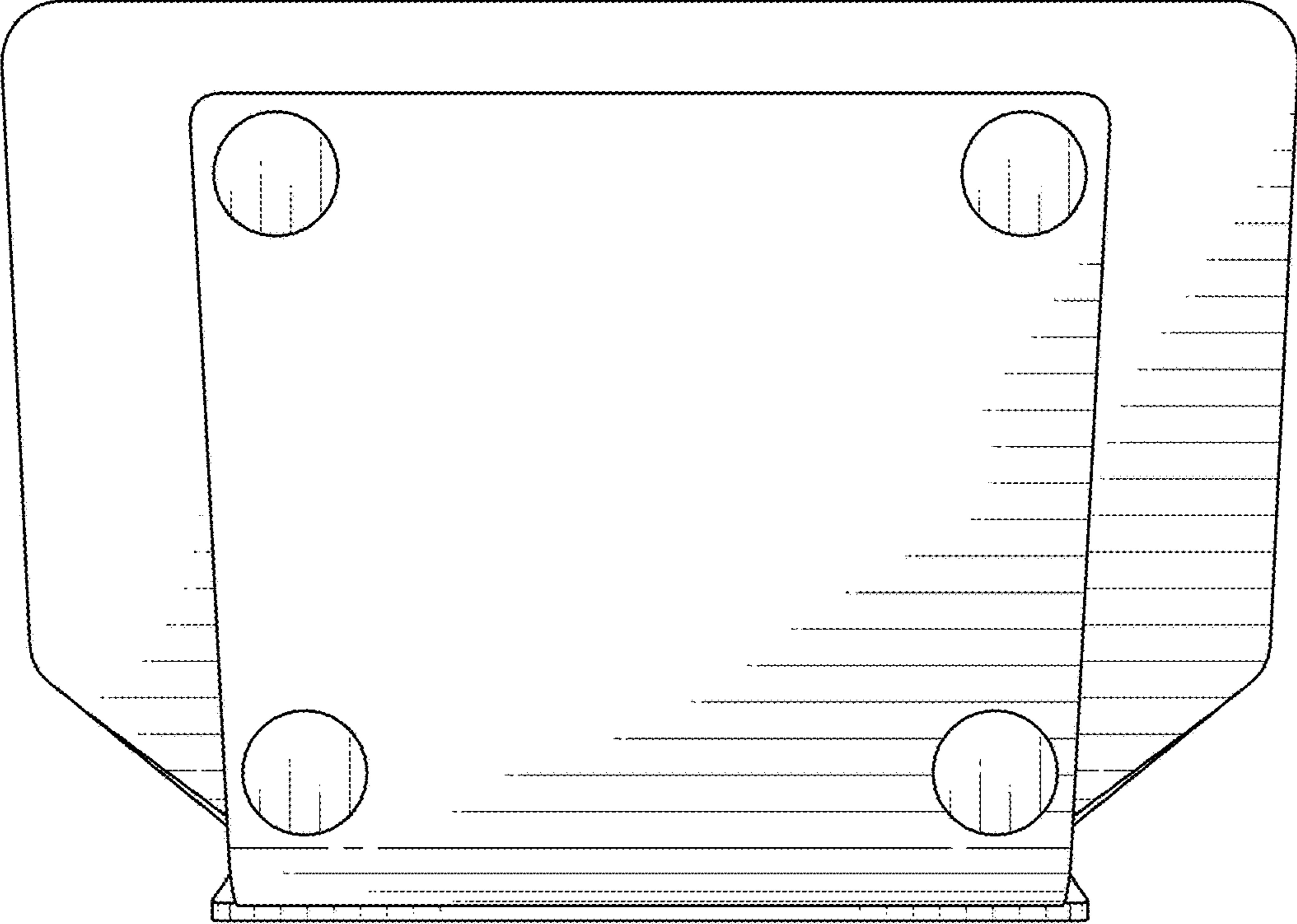


FIG. 7