



US00D836367S

(12) **United States Design Patent** (10) **Patent No.:** **US D836,367 S**
Johnson et al. (45) **Date of Patent:** **** Dec. 25, 2018**

(54) **DISPLAY UNIT**
(71) Applicant: **Target Brands, Inc.**, Minneapolis, MN (US)
(72) Inventors: **Jason W. Johnson**, Wayzata, MN (US); **Blake M. Johnson**, St. Paul, MN (US)
(73) Assignee: **Target Brands, Inc.**, Minneapolis, MN (US)

(**) Term: **15 Years**

(21) Appl. No.: **29/628,316**

(22) Filed: **Dec. 4, 2017**

(51) **LOC (11) Cl.** **06-06**

(52) **U.S. Cl.**
USPC **D6/675.3**

(58) **Field of Classification Search**
USPC D6/672, 675, 675.2, 675.1, 675.3;
D7/600.1, 600.4, 601-602
CPC A47B 73/00; A47B 81/00; A47F 5/0018;
A47F 7/281; A47F 7/00; A47F 7/28;
A47J 47/16
See application file for complete search history.

(56) **References Cited**

U.S. PATENT DOCUMENTS

D28,415 S * 3/1898 Warren D6/675.3
D30,012 S * 1/1899 Roberts D6/675.3
676,157 A * 6/1901 Sparks A47F 3/00
312/119
3,035,671 A * 5/1962 Sicherman E06C 1/005
108/100
4,025,137 A * 5/1977 Wyler A47B 45/00
108/93
5,357,876 A * 10/1994 Kniefel A47C 12/02
108/64
D364,054 S * 11/1995 Weber D6/675.3
5,480,225 A * 1/1996 Bailey A47F 3/004
312/114

D381,840 S * 8/1997 Bevill D6/675.3
D507,431 S * 7/2005 Goth D6/675.3
D543,383 S * 5/2007 Edison D6/675.3
D735,500 S * 8/2015 Wu D6/675
D760,852 S * 7/2016 Appleton D21/671
D766,626 S * 9/2016 Peden D6/675.3
D808,689 S * 1/2018 Rieger D6/667
D808,806 S * 1/2018 Campbell D9/456
D813,575 S * 3/2018 Kraemer D6/675.3
2009/0124464 A1 * 5/2009 Kastelic A63B 17/04
482/52

* cited by examiner

Primary Examiner — Kelley A Donnelly

(74) *Attorney, Agent, or Firm* — Leanne Taveggia Farrell; Westman, Champlin & Koehler, P.A.

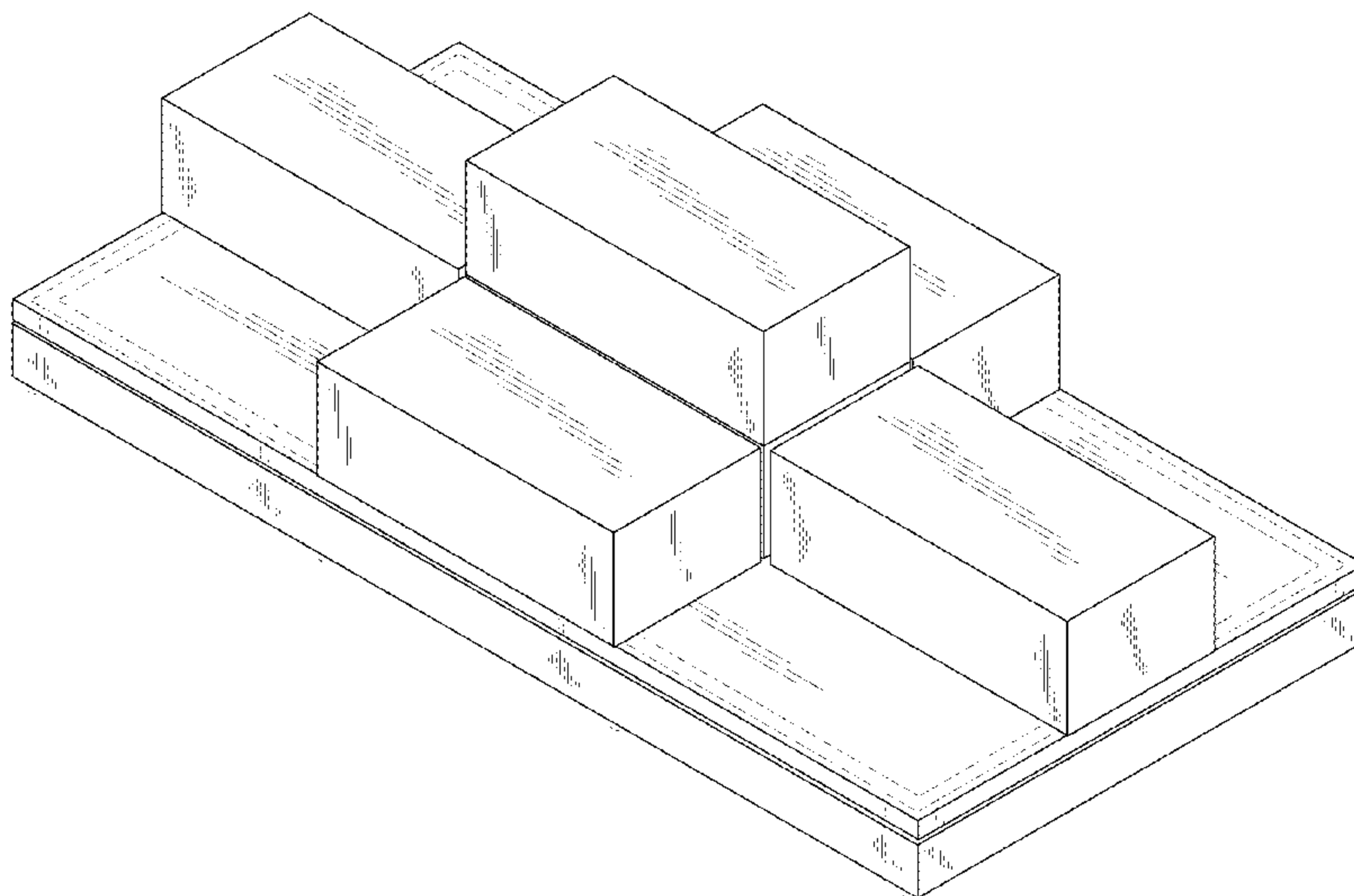
(57) **CLAIM**

The ornamental design for a display unit, as shown and described.

DESCRIPTION

FIG. 1 is a perspective view of a display unit showing our new design;
FIG. 2 is a front view thereof; the back view being identical;
FIG. 3 is a right side view thereof, the left side view being identical;
FIG. 4 is a top view thereof;
FIG. 5 is a perspective view of a display unit shown with environment;
FIG. 6 is a front view of FIG. 5, the back view being identical;
FIG. 7 is a right side view of FIG. 5, the left side view being identical; and,
FIG. 8 is a top view of FIG. 5.
The broken lines shown in the drawings are included for purposes of illustrating portions of the display unit and form no part of the claimed design.

1 Claim, 8 Drawing Sheets



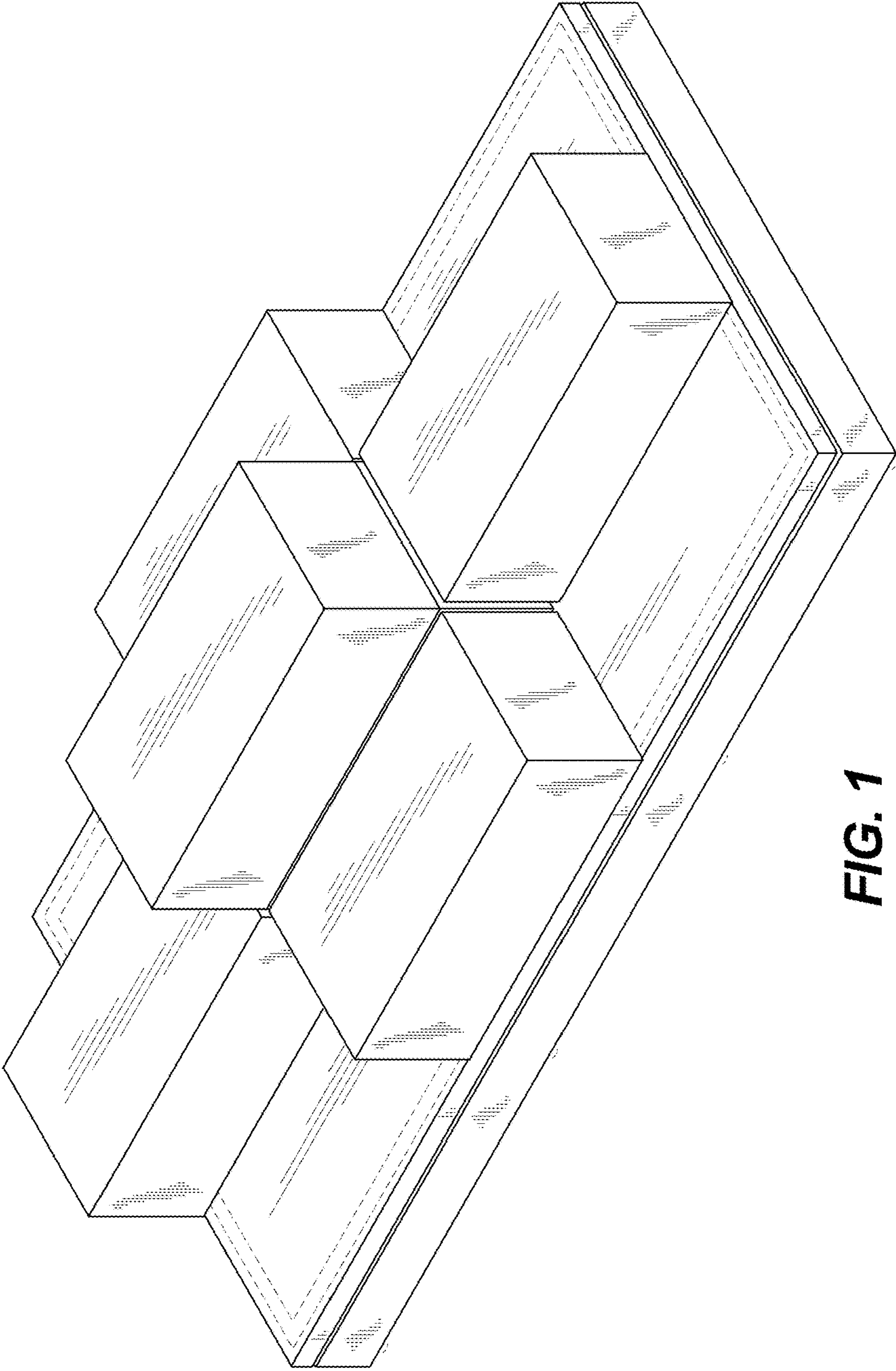


FIG. 1

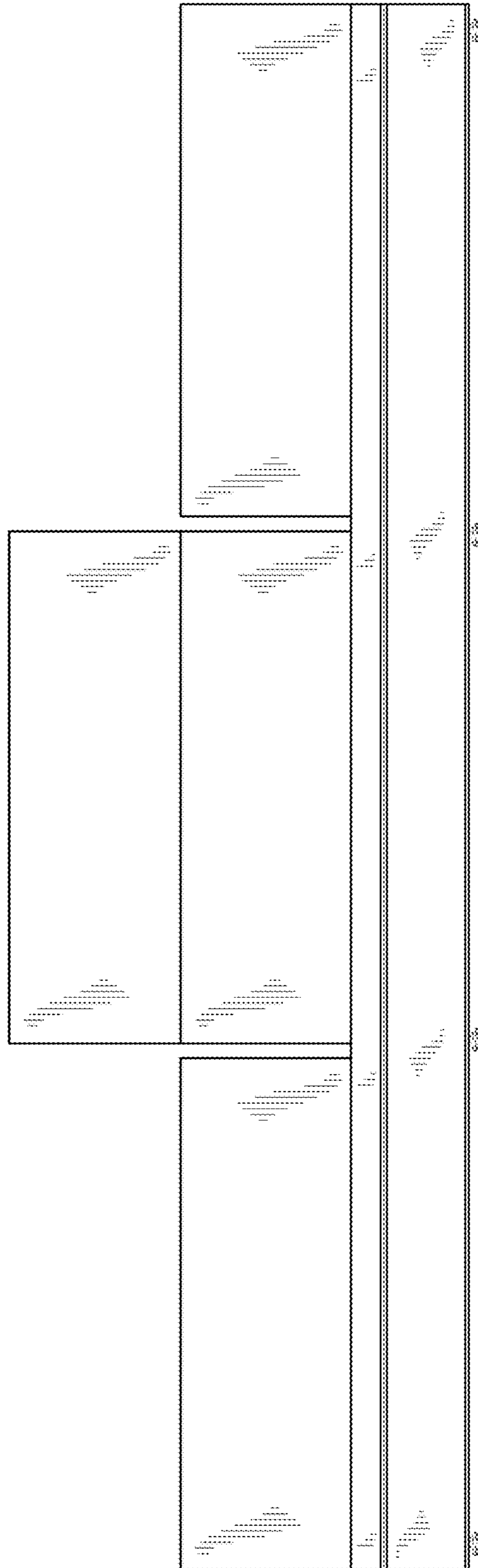


FIG. 2

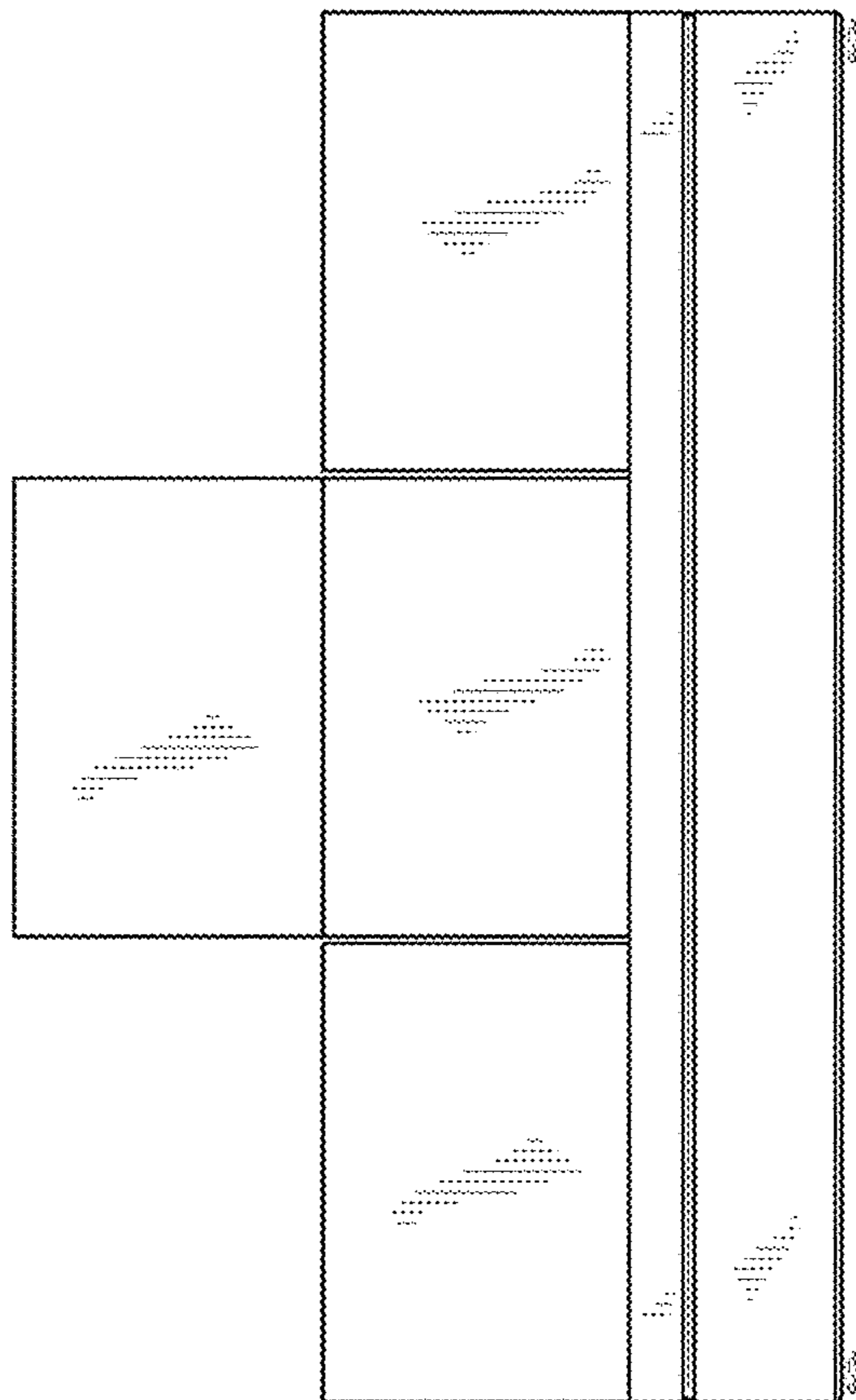


FIG. 3

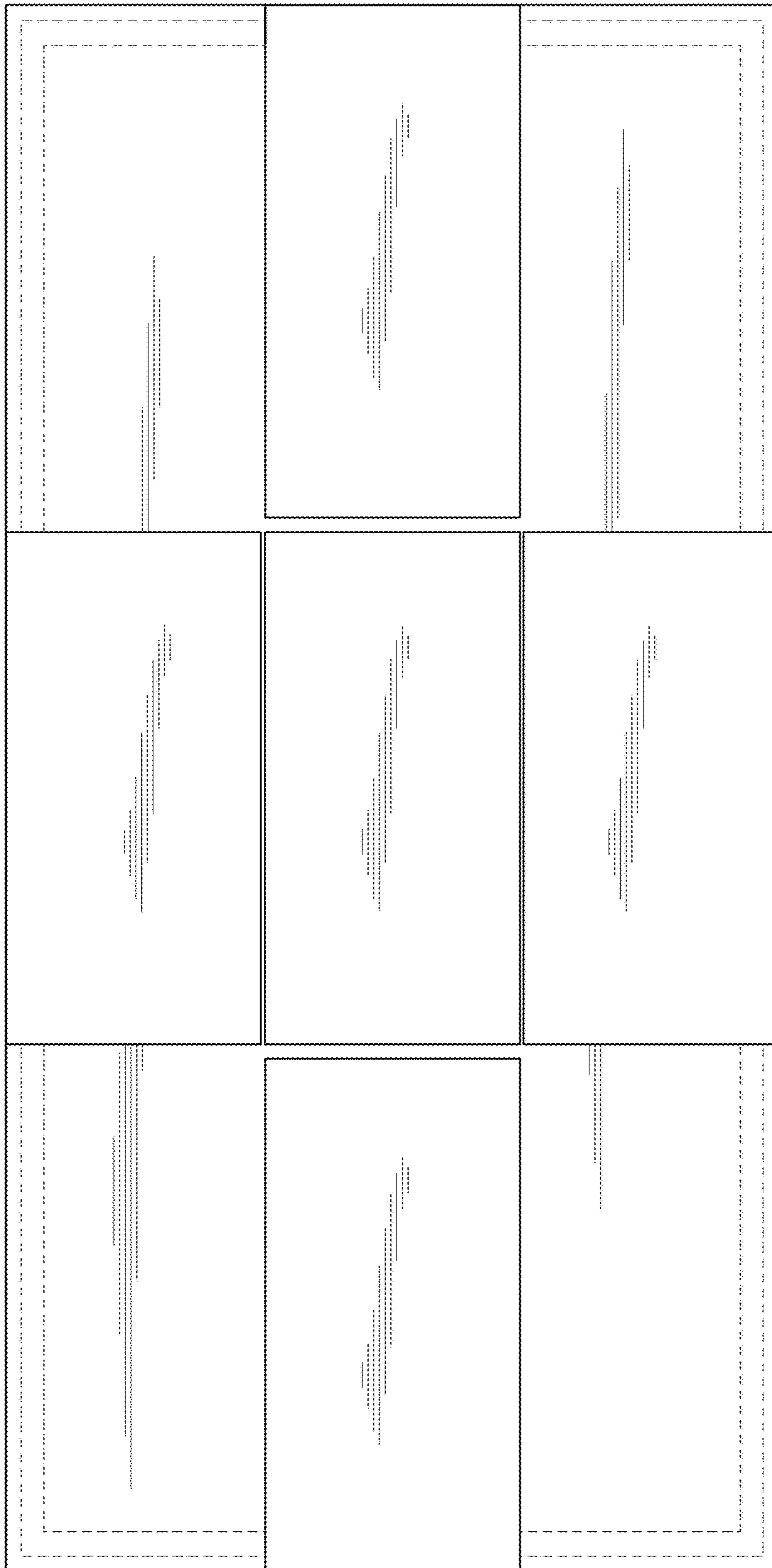


FIG. 4

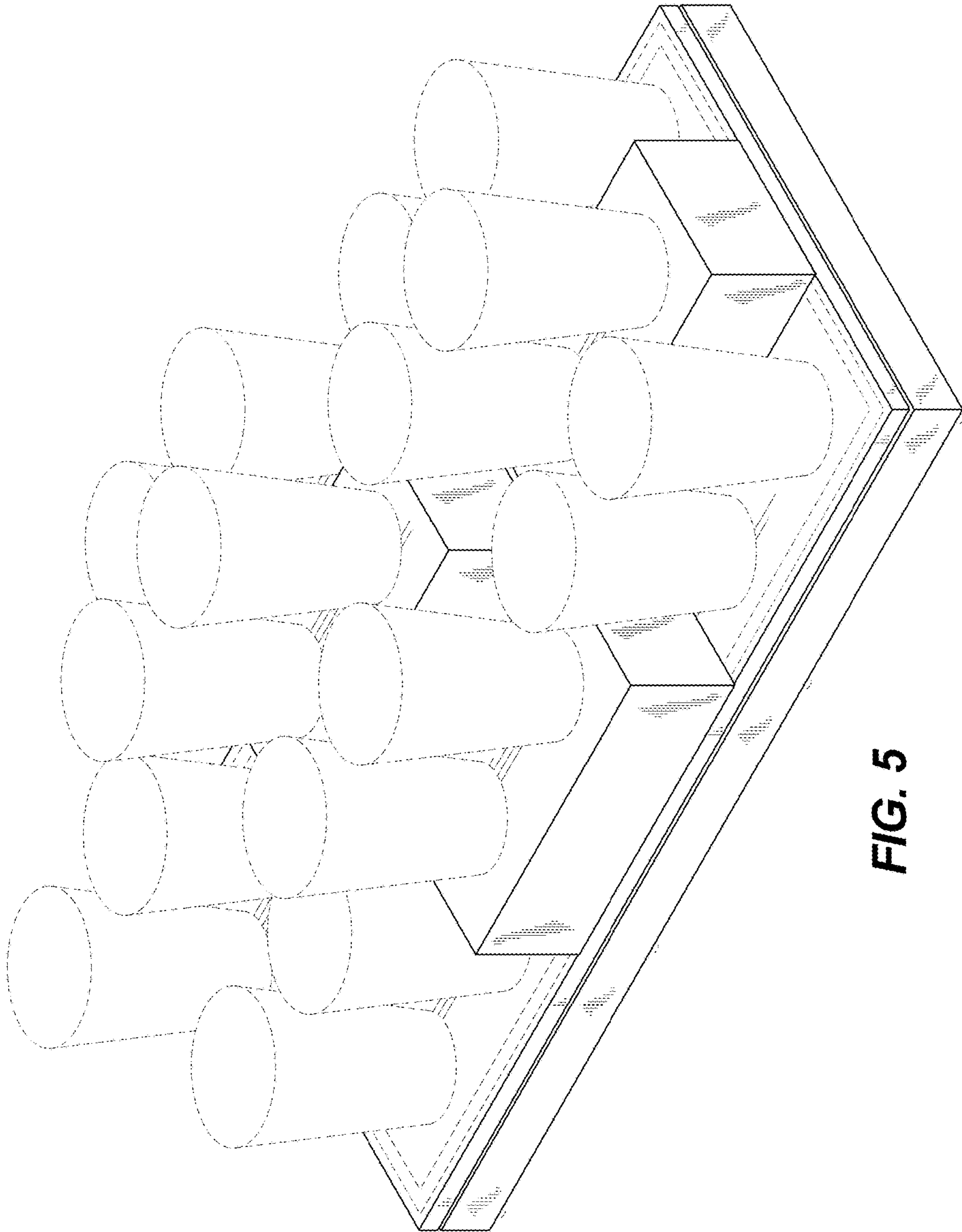


FIG. 5

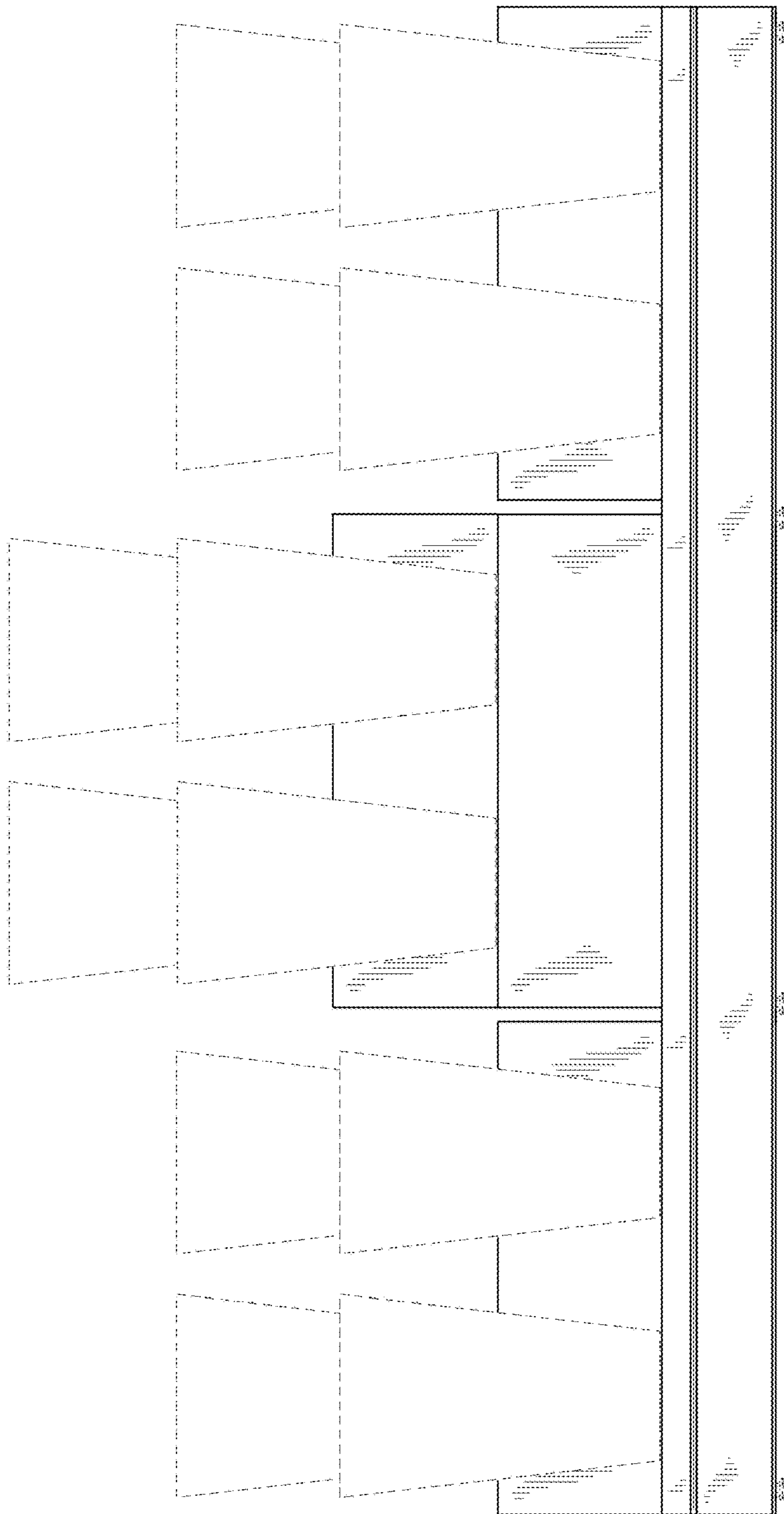


FIG. 6

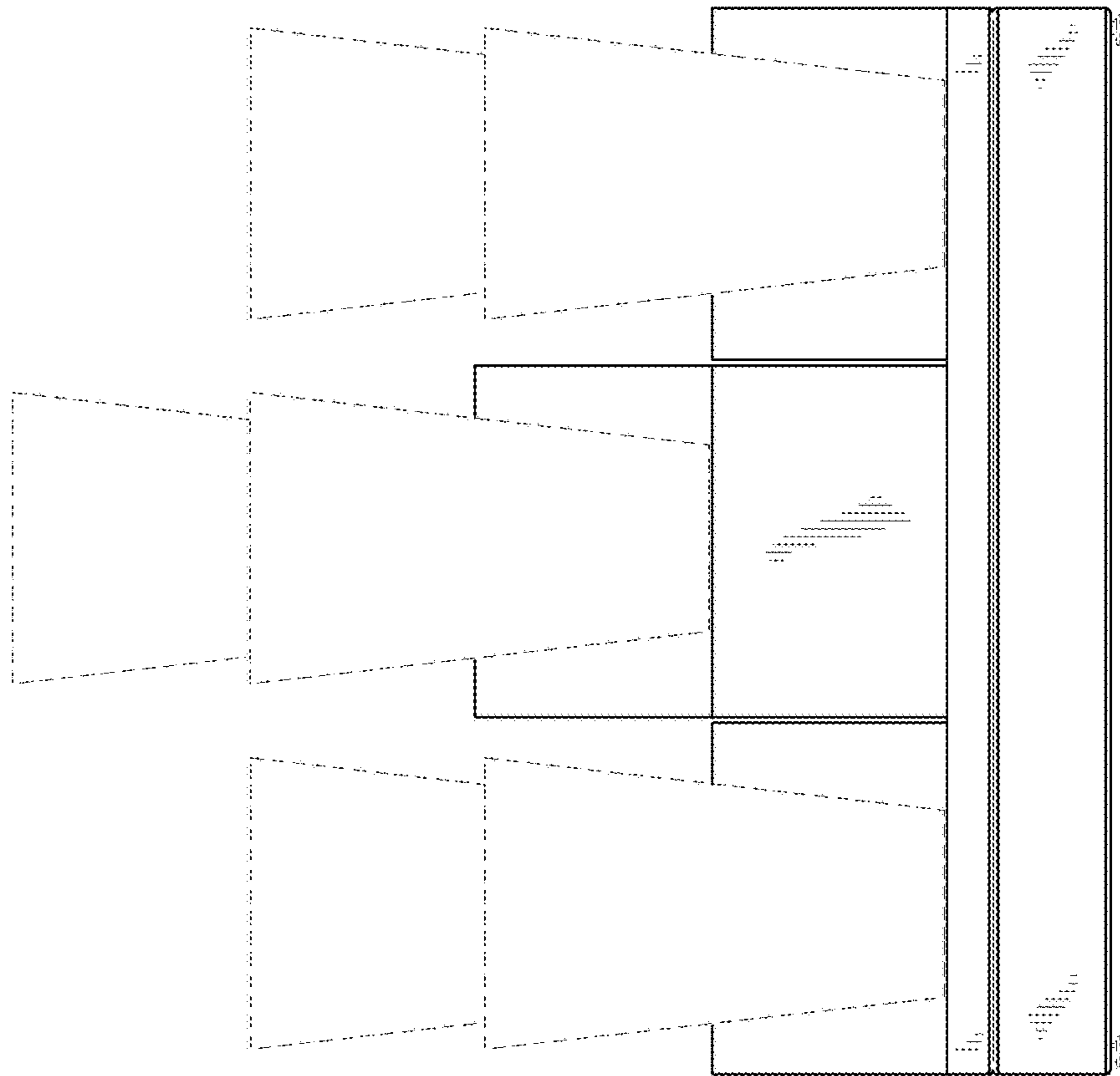


FIG. 7

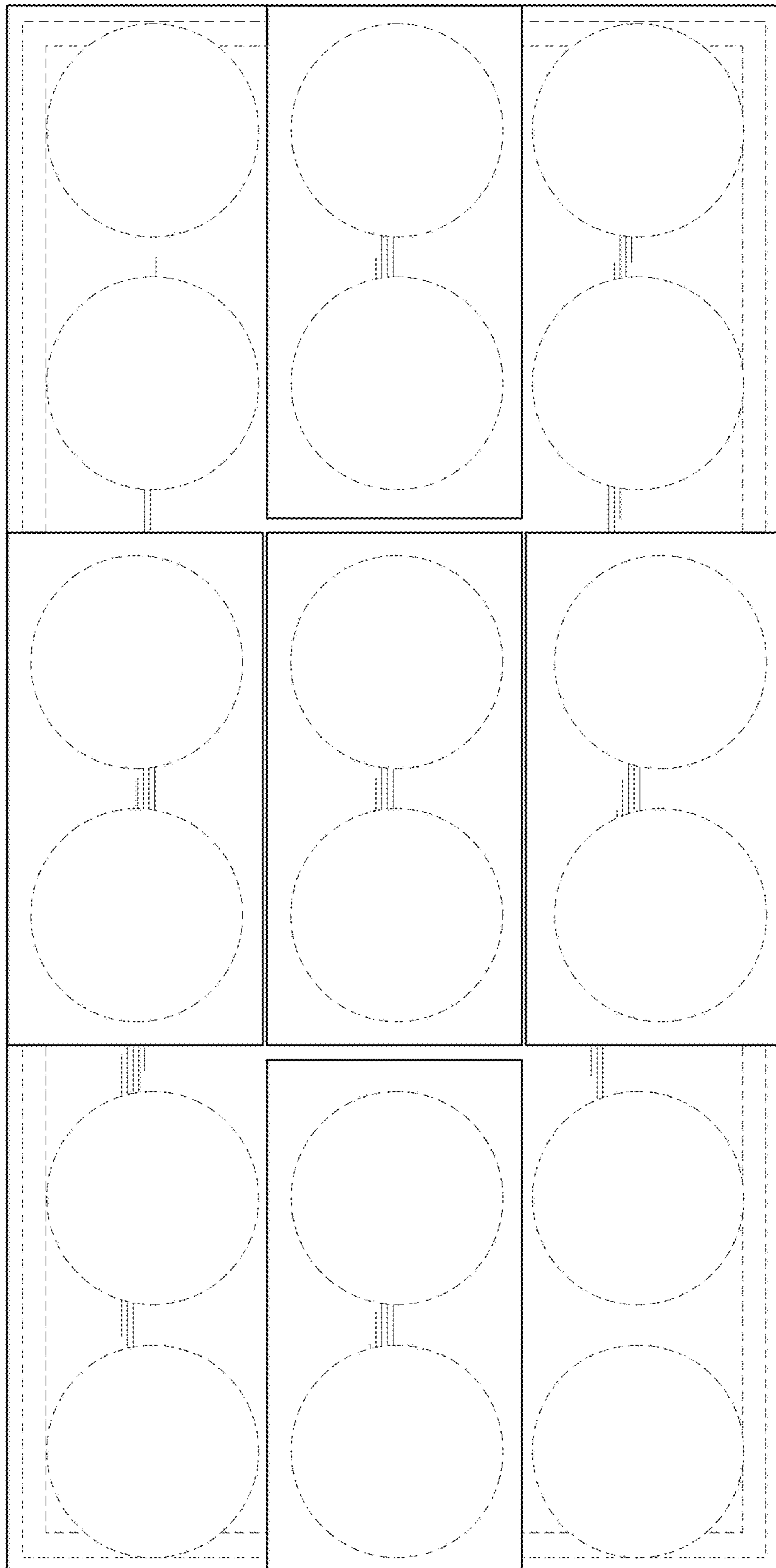


FIG. 8